



US00D568829S

(12) **United States Design Patent**  
**Yamashita et al.**

(10) **Patent No.:** **US D568,829 S**

(45) **Date of Patent:** **\*\* May 13, 2008**

(54) **HEAT SINK**

(75) Inventors: **Takamasa Yamashita**, Kyoto (JP);  
**Yoshinori Inoue**, Kyoto (JP)

(73) Assignee: **Nidec Corporation**, Kyoto (JP)

(\*\*) Term: **14 Years**

(21) Appl. No.: **29/249,552**

(22) Filed: **Oct. 12, 2006**

(51) **LOC (8) Cl.** ..... **13-03**

(52) **U.S. Cl.** ..... **D13/179**

(58) **Field of Classification Search** ..... D13/179;  
165/80.3, 104.33, 151, 122, 185; 257/706,  
257/707, 718-722; 361/687, 695, 697, 700,  
361/702, 704, 709, 710, 711, 719

See application file for complete search history.

(56) **References Cited**

**U.S. PATENT DOCUMENTS**

5,794,685	A	8/1998	Dean	
6,419,007	B1	7/2002	Ogawara et al.	
D466,871	S *	12/2002	Lee	D13/179
D480,692	S	10/2003	Lee	
6,657,862	B2 *	12/2003	Crocker et al.	361/697
6,671,172	B2 *	12/2003	Carter et al.	361/697
6,714,415	B1 *	3/2004	Shah	361/704
6,779,593	B1	8/2004	Hegde	
D509,484	S	9/2005	Mochizuki et al.	
D509,485	S	9/2005	Mochizuki et al.	
7,123,483	B2	10/2006	Otsuki et al.	
7,221,567	B2	5/2007	Otsuki et al.	
2002/0017378	A1	2/2002	Hu	
2002/0046826	A1 *	4/2002	Kao	165/104.33
2003/0131970	A1 *	7/2003	Carter et al.	165/80.3
2004/0045702	A1 *	3/2004	Barsun	165/185
2005/0056399	A1 *	3/2005	Ku et al.	165/80.3
2005/0061480	A1 *	3/2005	Carter et al.	165/80.3
2006/0060332	A1 *	3/2006	Wang et al.	165/104.33

**FOREIGN PATENT DOCUMENTS**

JP D1186376 S 9/2003

JP	1237688 D	4/2005
JP	1237951 D	4/2005
JP	1237952 D	4/2005
JP	1237953 D	4/2005
JP	1295760 D	3/2007
JP	1296655 D	3/2007
TW	520966 S	2/2003
TW	D105452 S	7/2005
TW	D108216 S	12/2005
TW	D118870 S	9/2007

**OTHER PUBLICATIONS**

Otsuki, Takaya et al., "Heat Sink Fan," U.S. Appl. No. 29/276,415, filed Jan. 25, 2007.

Official communication issued in counterpart Taiwanese Application No. 96301805, mailed on Dec. 21, 2007.

\* cited by examiner

*Primary Examiner*—Selina Sikder

(74) *Attorney, Agent, or Firm*—Keating & Bennett, LLP

(57) **CLAIM**

The ornamental design for a heat sink, as shown and described.

**DESCRIPTION**

FIG. 1 is a front elevation view of a heat sink showing our new design;

FIG. 2 is a rear elevation view thereof;

FIG. 3 is a right side elevation view thereof;

FIG. 4 is a left side elevation view thereof;

FIG. 5 is a bottom plan view thereof;

FIG. 6 is a top plan view thereof;

FIG. 7 is a perspective view thereof; and,

FIG. 8 is another perspective view thereof.

**1 Claim, 6 Drawing Sheets**

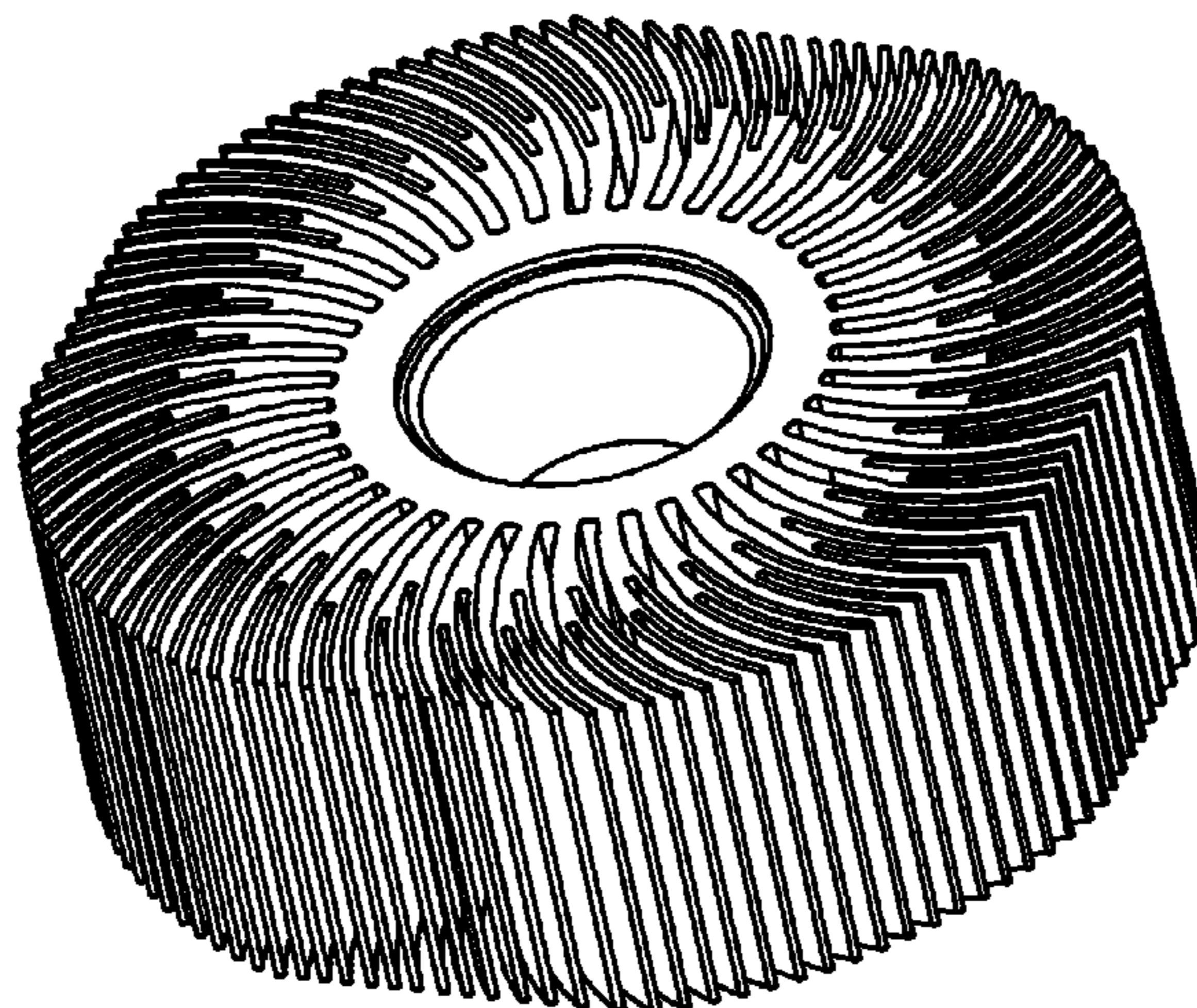


Fig. 1

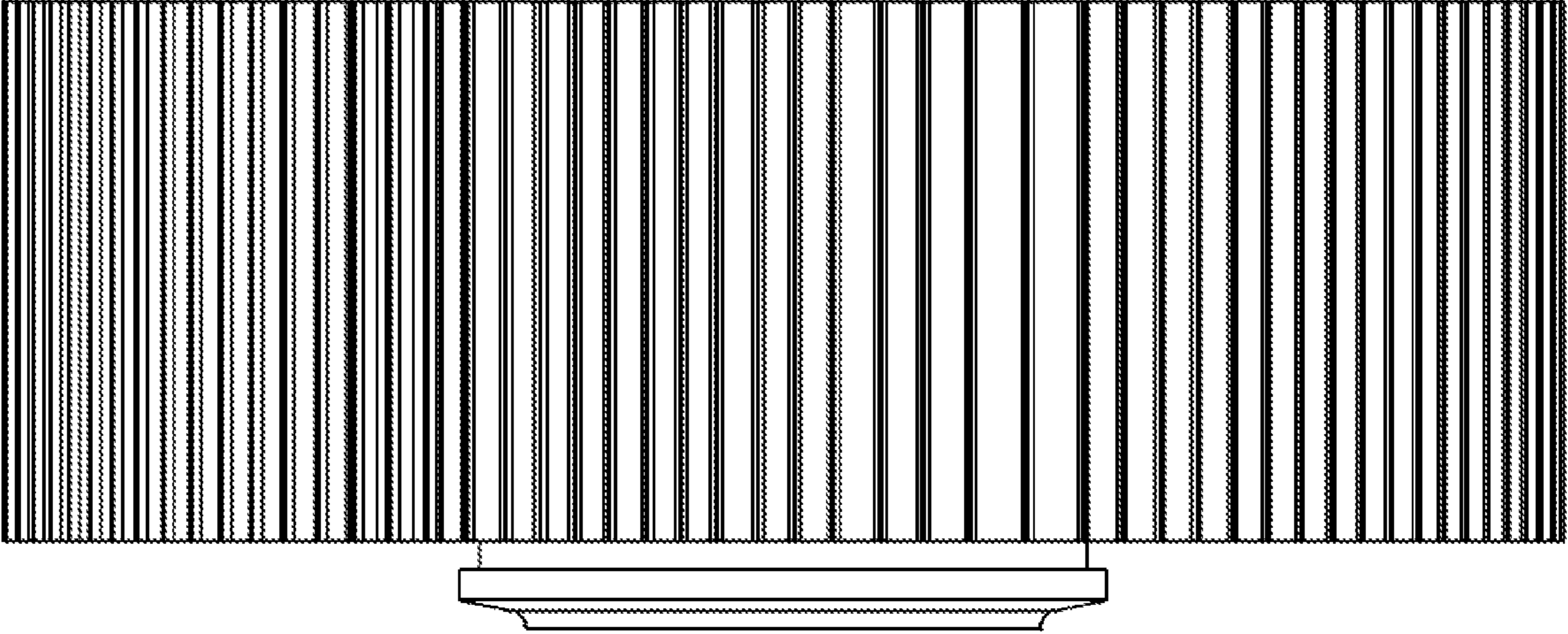


Fig. 2

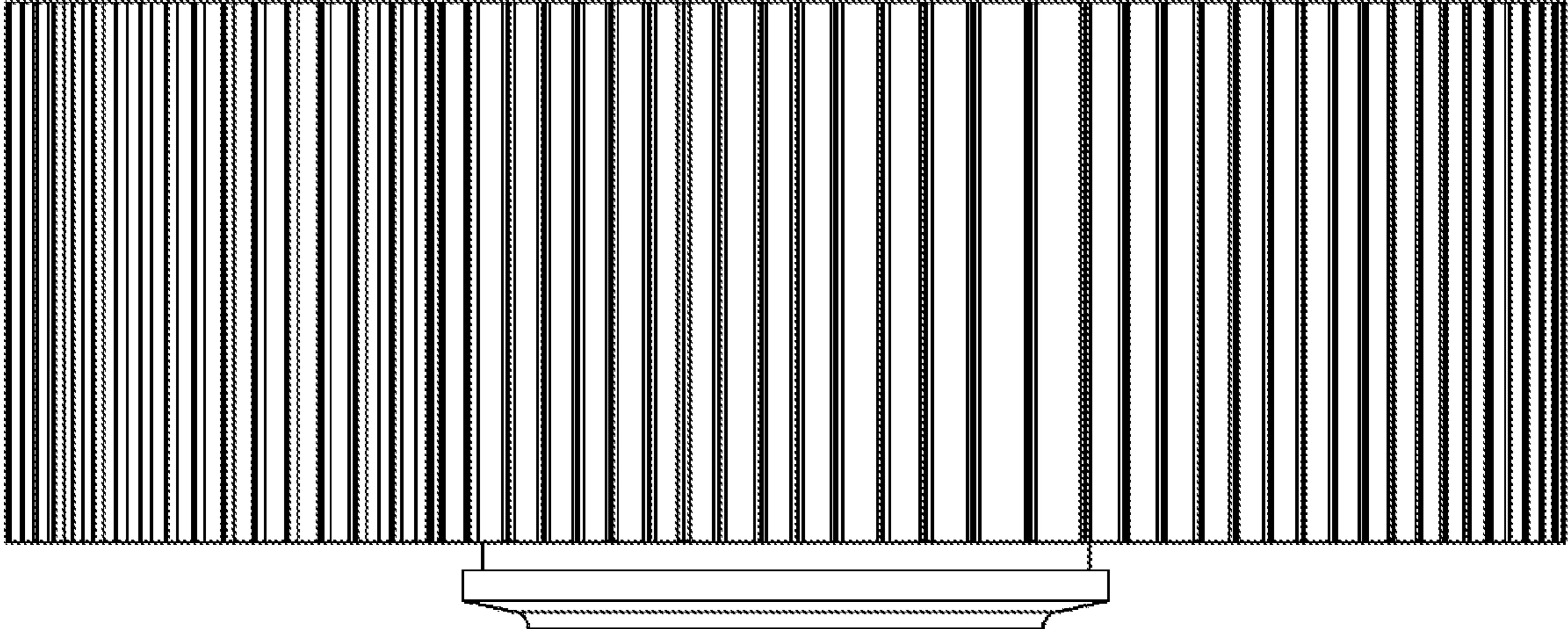


Fig. 3

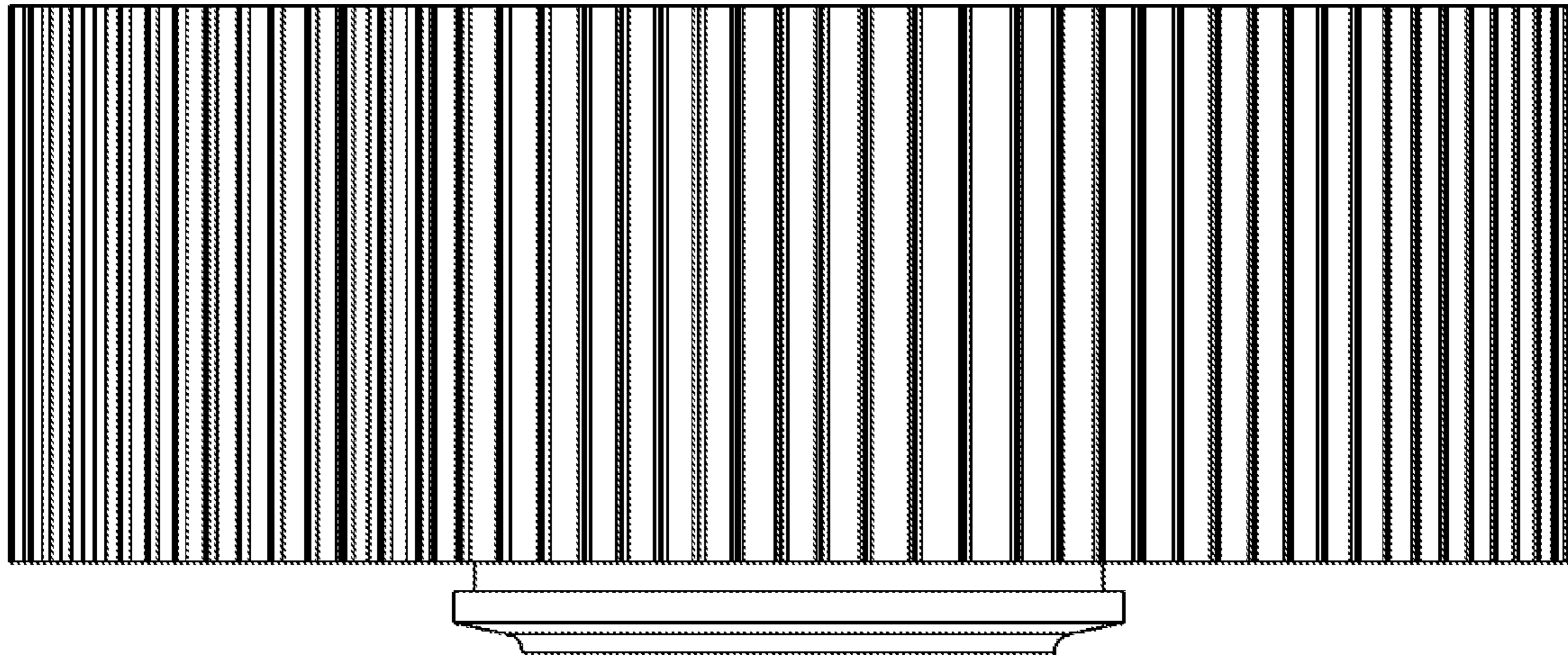


Fig. 4

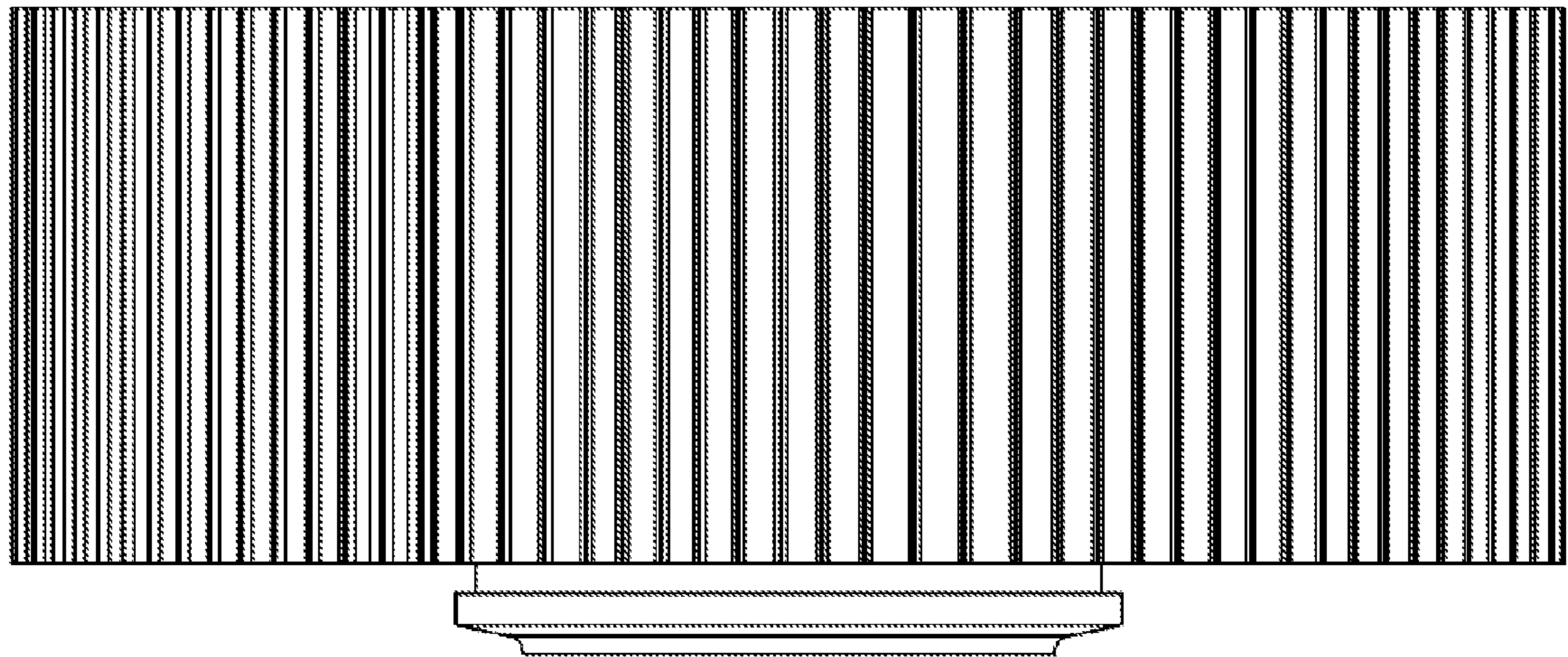


Fig.5

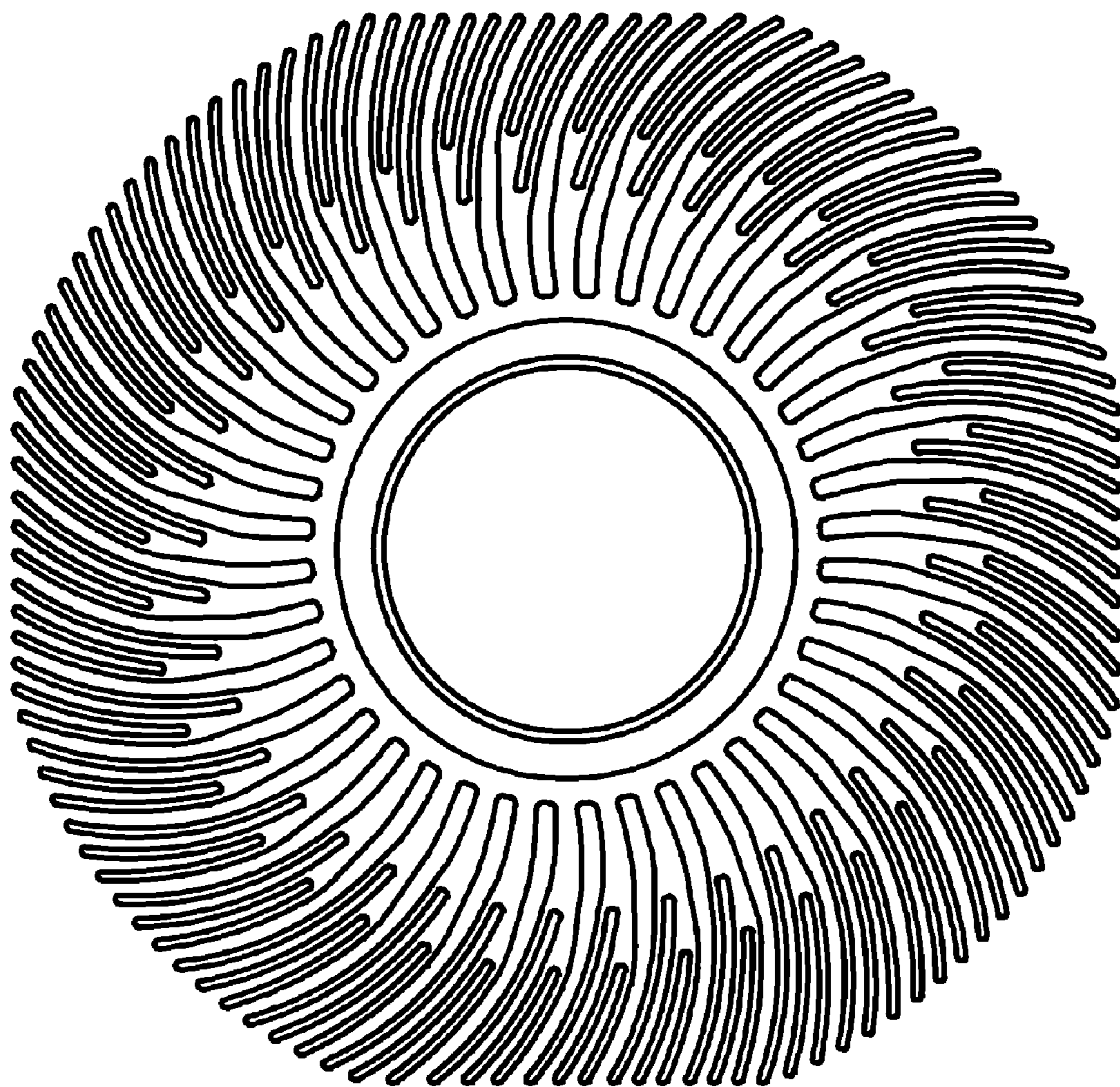


Fig.6

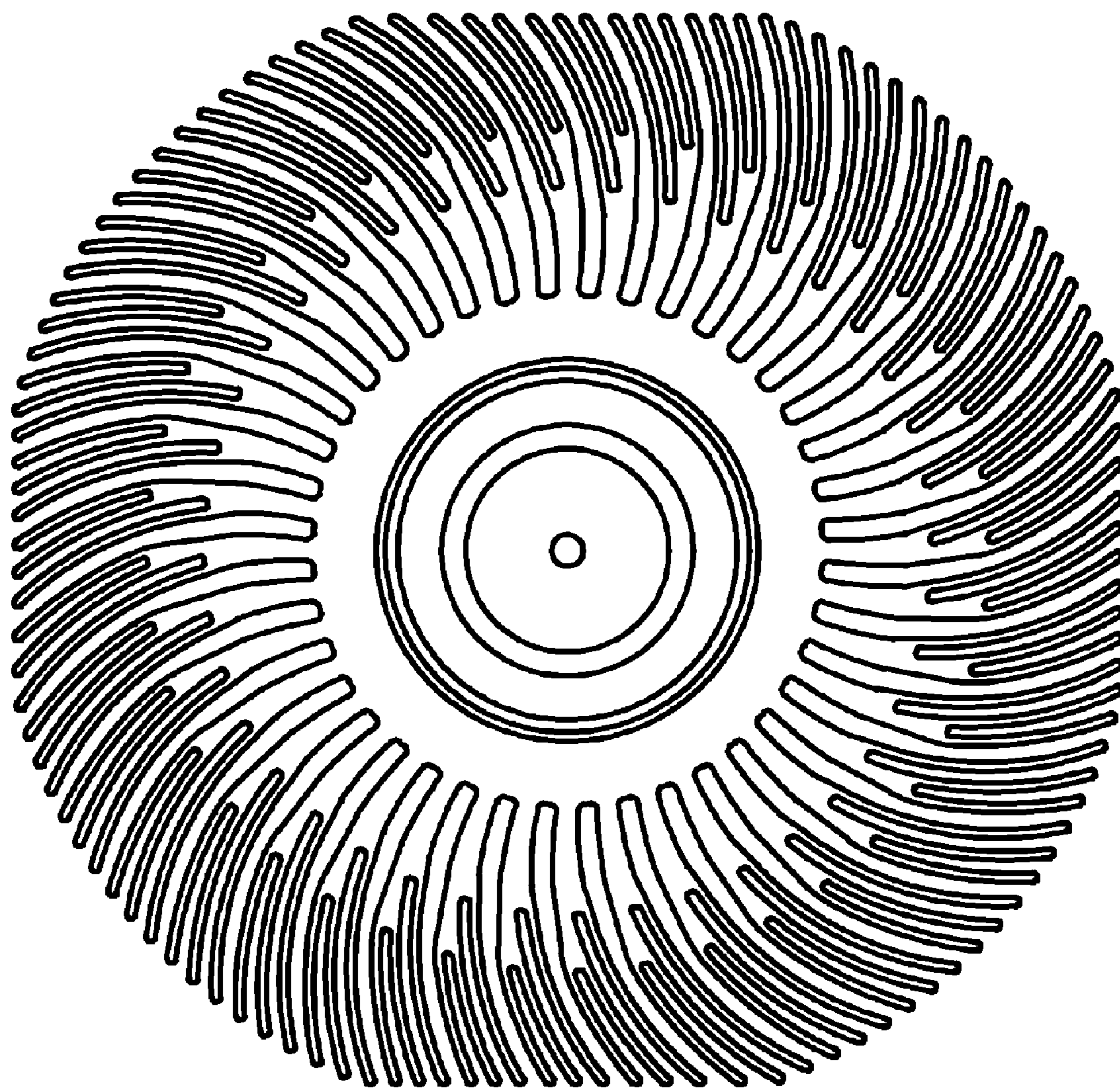


Fig.7

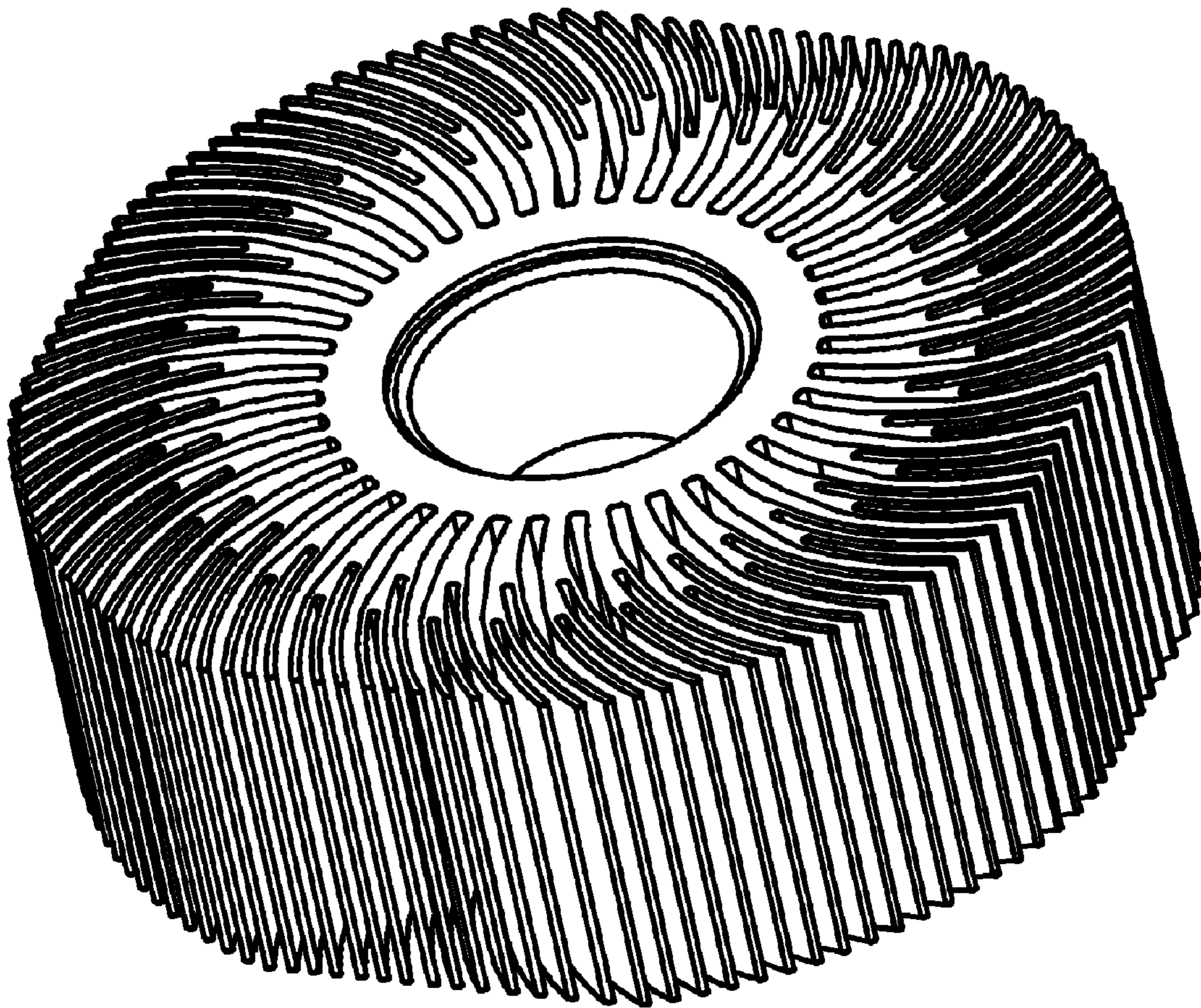


Fig.8

