

US00D568828S

(12) **United States Design Patent** (10) **Patent No.:** **US D568,828 S**
Mayo et al. (45) **Date of Patent:** **** May 13, 2008**

(54) **DIMMER SWITCH**

D546,771 S 7/2007 Spira et al.
D547,735 S 7/2007 Altonen et al.

(75) Inventors: **Noel Mayo**, Philadelphia, PA (US); **Joel S. Spira**, Coopersburg, PA (US)

(73) Assignee: **Lutron Electronics Co., Inc.**, Coopersburg, PA (US)

(**) Term: **14 Years**

(21) Appl. No.: **29/283,972**

(22) Filed: **Aug. 28, 2007**

Related U.S. Application Data

(62) Division of application No. 29/256,275, filed on Mar. 17, 2006.

(51) **LOC (8) Cl.** **13-03**

(52) **U.S. Cl.** **D13/171; D13/174**

(58) **Field of Classification Search** D13/162, D13/169, 170, 174; 174/66; 200/530, 531, 200/536, 252, 293, 333, 335, 329; 338/128, 338/176; D8/353; 307/116, 125, 139
See application file for complete search history.

(56) **References Cited**

U.S. PATENT DOCUMENTS

D436,930 S	1/2001	Butler
D471,880 S	3/2003	Mayo et al.
D472,527 S	4/2003	Mayo et al.
D477,290 S	7/2003	Mayo et al.
D477,573 S	7/2003	Mayo et al.
D477,578 S	7/2003	Mayo et al.
D478,554 S	8/2003	Mayo et al.
D479,206 S	9/2003	Mayo et al.
D479,207 S	9/2003	Mayo et al.
D526,969 S	8/2006	Spira
D534,872 S	1/2007	Spira
D538,759 S	3/2007	Spira et al.
D541,742 S	4/2007	Mayo et al.
D542,742 S	5/2007	Spira
D543,511 S	5/2007	Altonen et al.

OTHER PUBLICATIONS

U.S. Appl. No. 29/267,915, filed Oct. 25, 2006, Mace et al.
U.S. Appl. No. 29/267,916, filed Oct. 25, 2006, Ochs et al.
U.S. Appl. No. 29/278,494, filed Mar. 30, 2007, Mace et al.
U.S. Appl. No. 29/278,543, filed Apr. 2, 2007, Hewson et al.
Lutron Electronics Co., Inc., Switching Systems Technical Guide, Aug. 2004, pp. front cover, 51, rear cover.

Primary Examiner—Selina Sikder

(74) *Attorney, Agent, or Firm*—Mark E. Rose

(57) **CLAIM**

We claim the ornamental design for a dimmer switch, as shown and described.

DESCRIPTION

FIG. 1 is a perspective view of a dimmer switch according to a first embodiment of our new design.

FIG. 2 is a front view thereof.

FIG. 3 is a left side view thereof.

FIG. 4 is a right side view thereof.

FIG. 5 is a top view thereof.

FIG. 6 is a bottom view thereof.

FIG. 7 is a perspective view of a dimmer switch according to a second embodiment of our new design.

FIG. 8 is a front view thereof.

FIG. 9 is a left side view thereof.

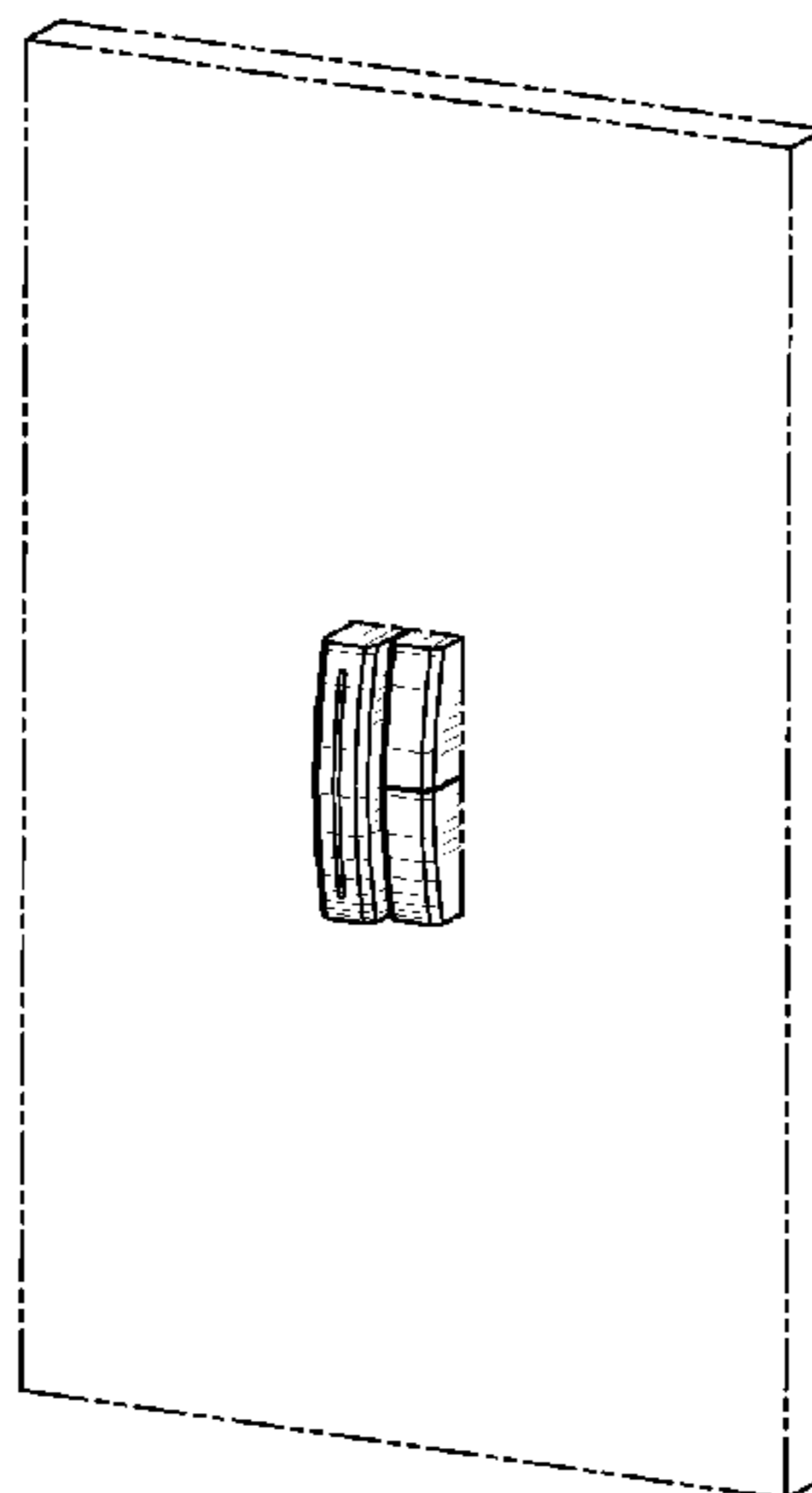
FIG. 10 is a right side view thereof.

FIG. 11 is a top view thereof; and,

FIG. 12 is a bottom view thereof.

The rear views form no part of the design and are omitted. The portions of the drawings appearing in broken line are for environment only and do not form a part of the design.

1 Claim, 8 Drawing Sheets



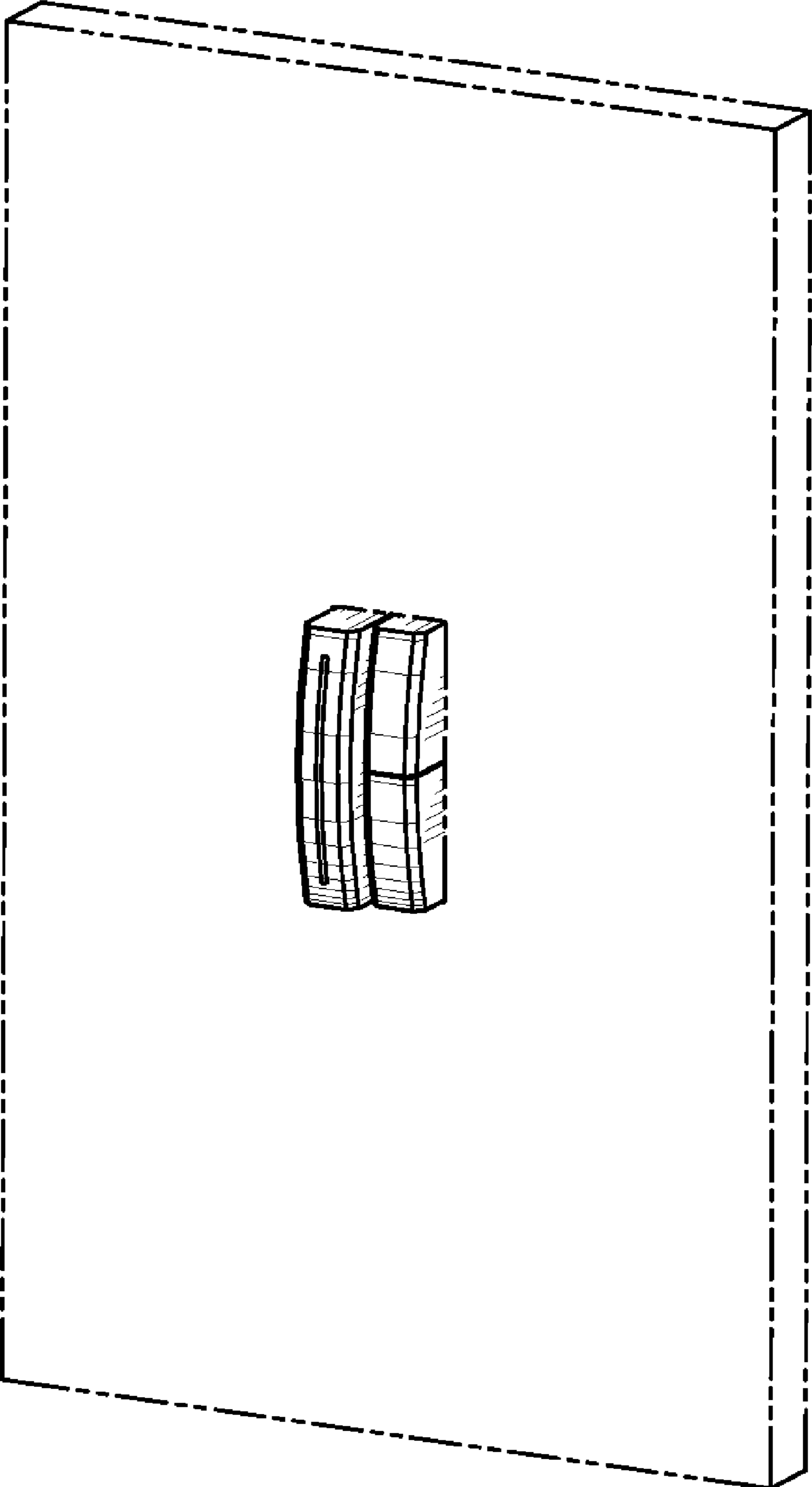


Fig. 1

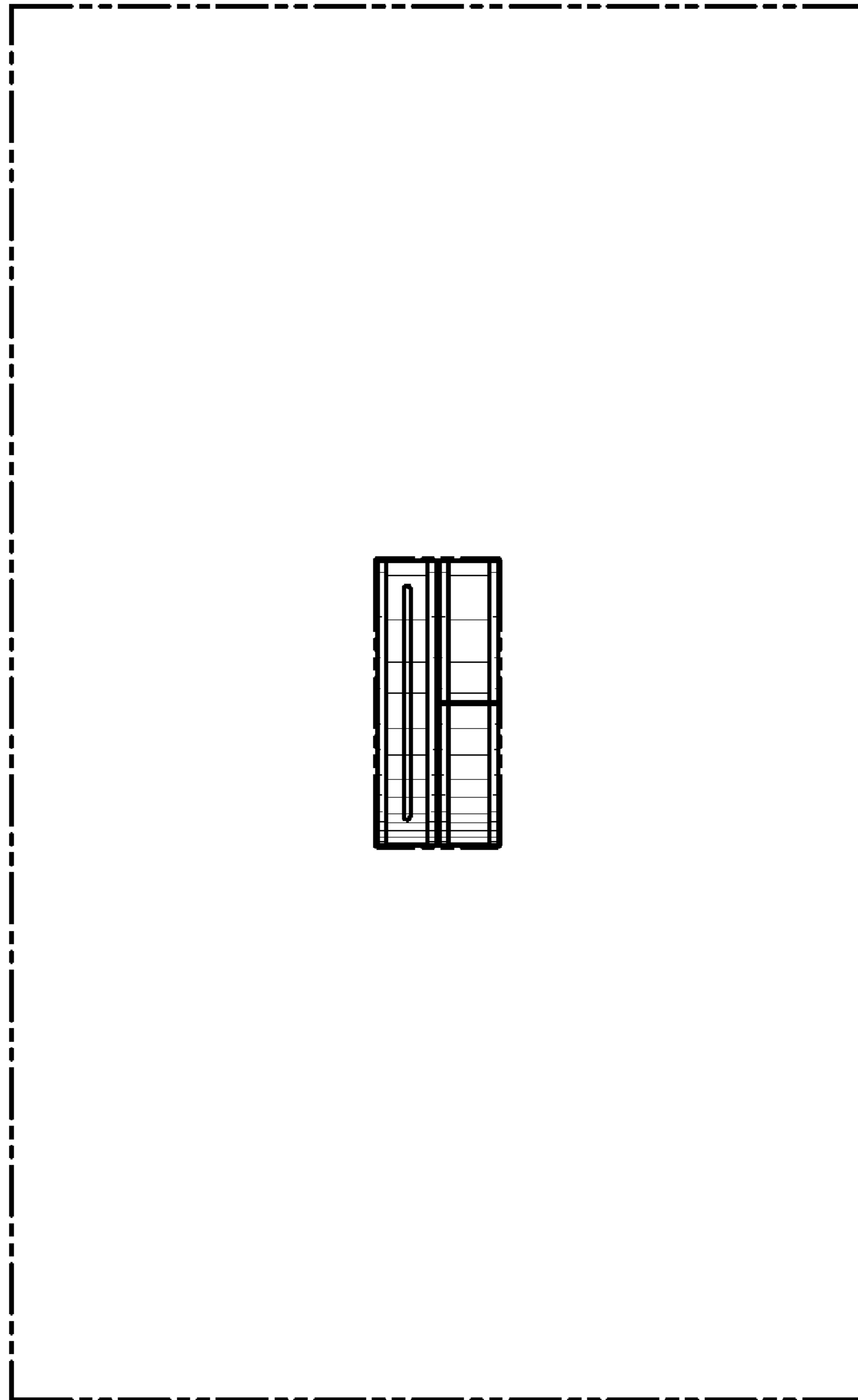


Fig. 2

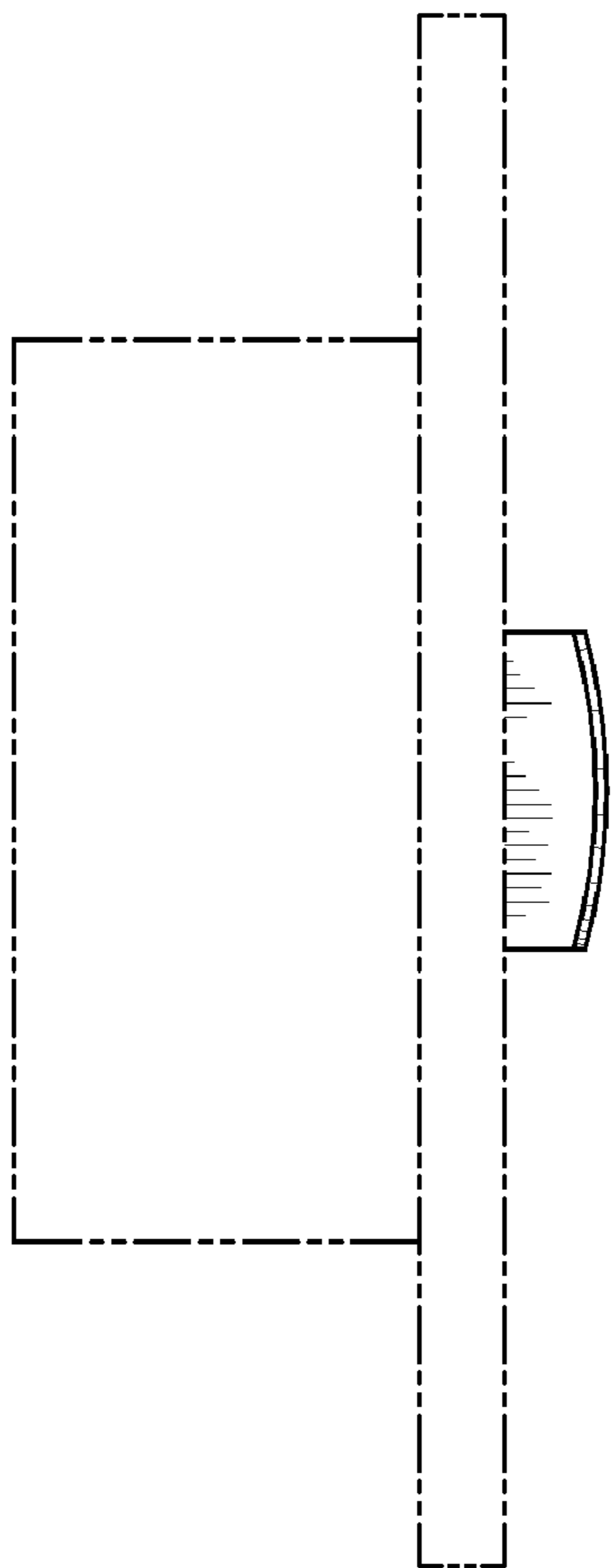


Fig. 3

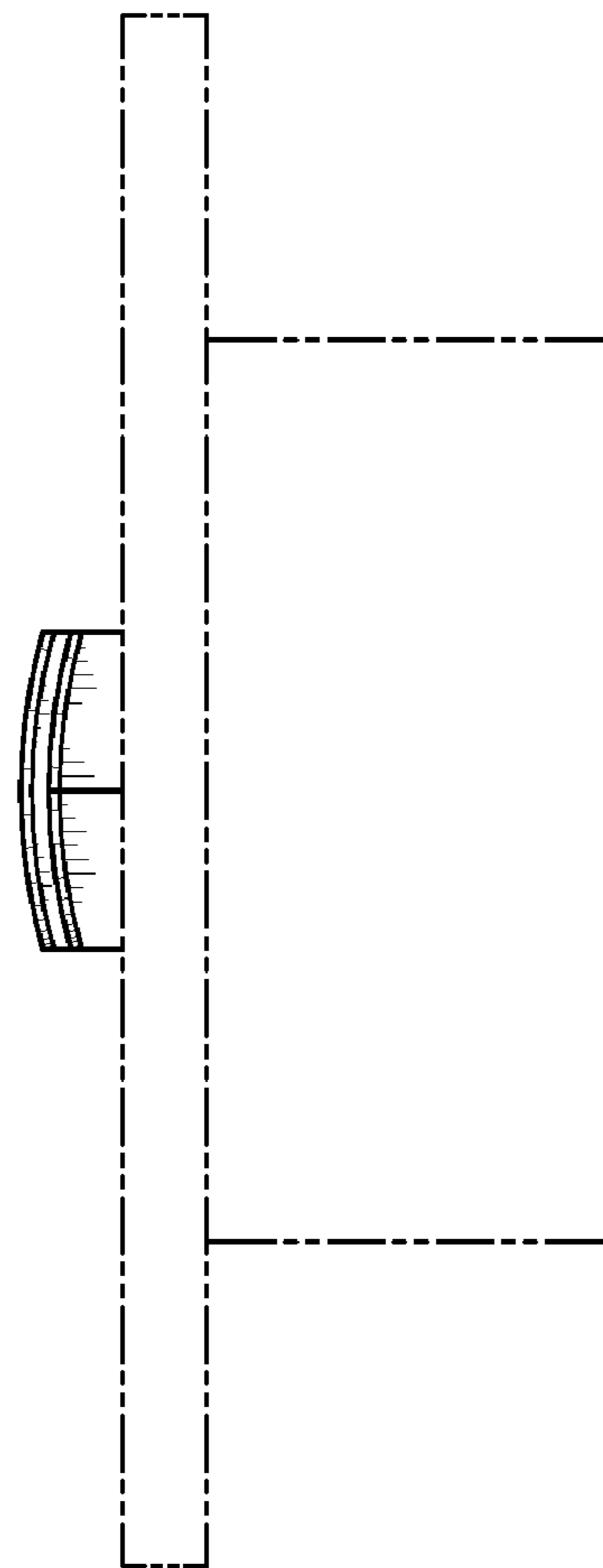


Fig. 4

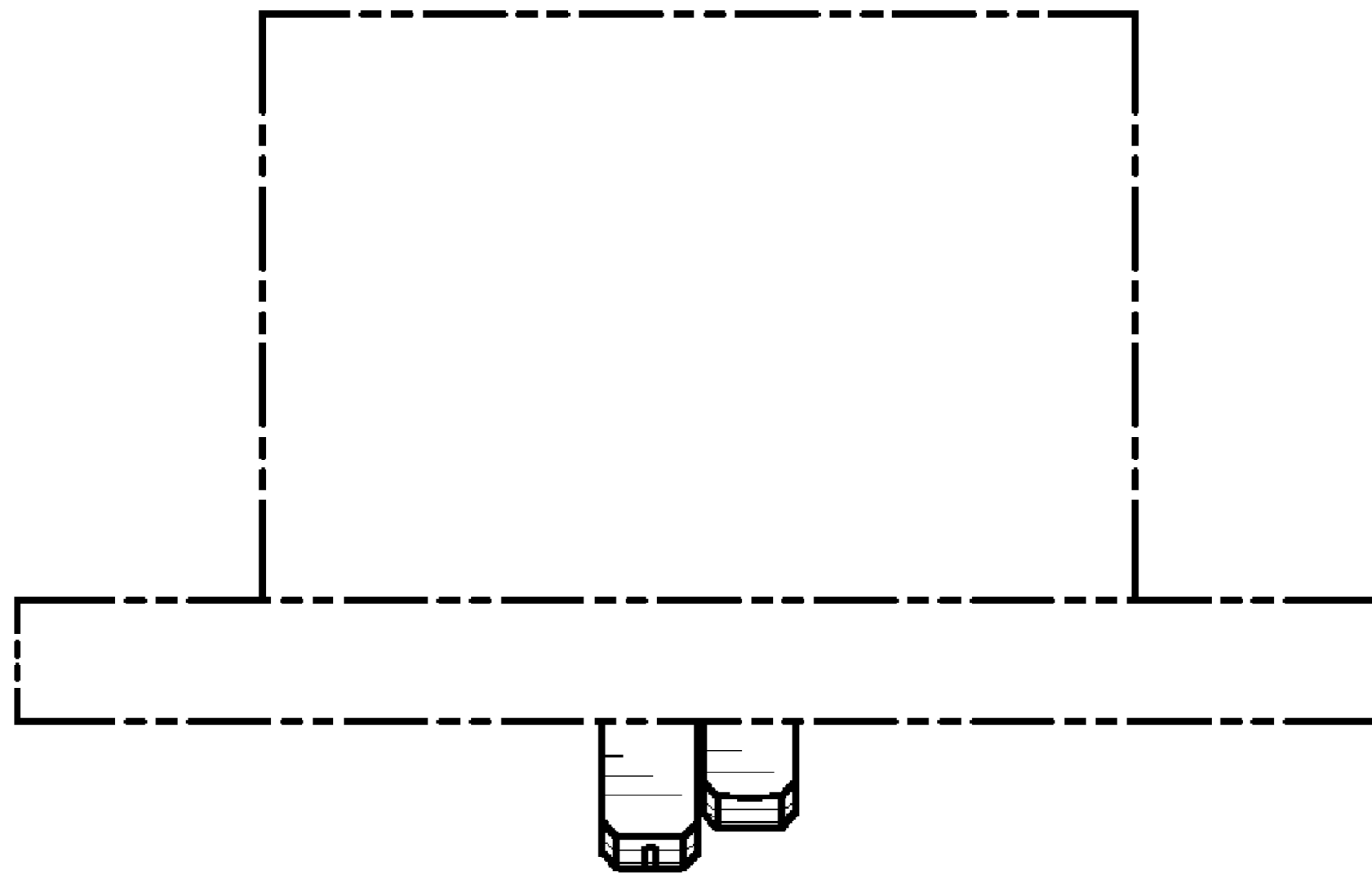


Fig. 5

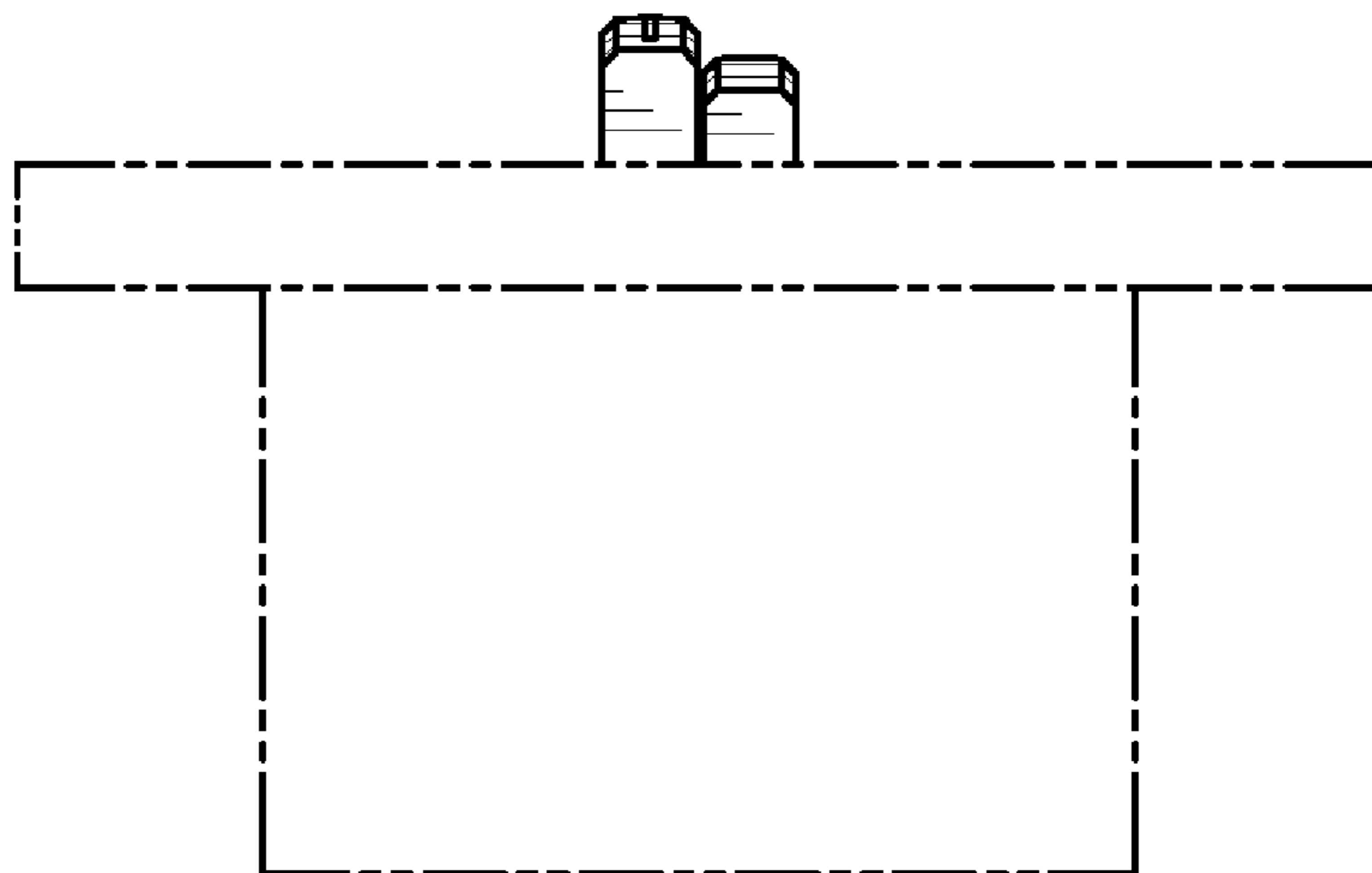


Fig. 6

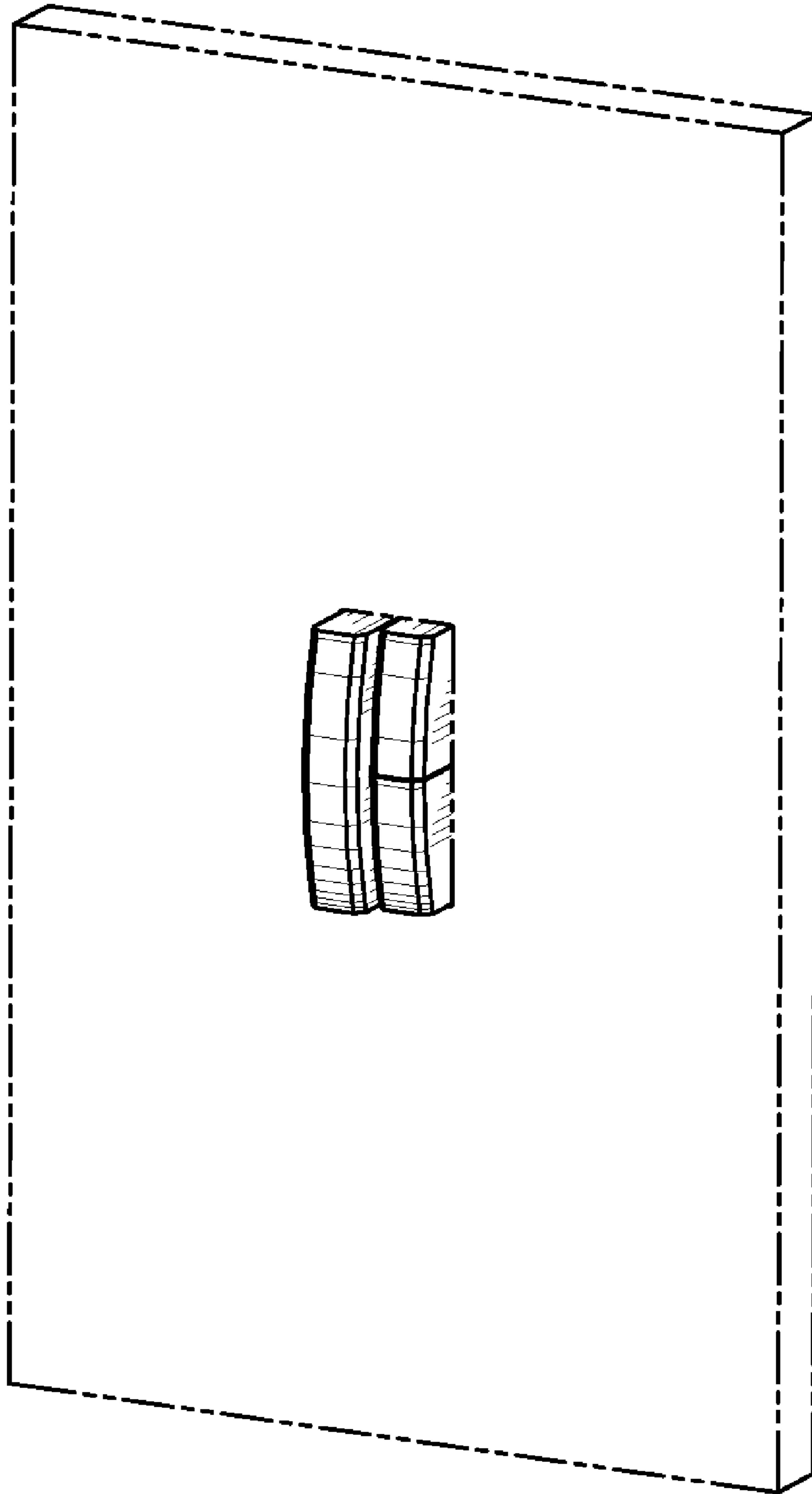


Fig. 7

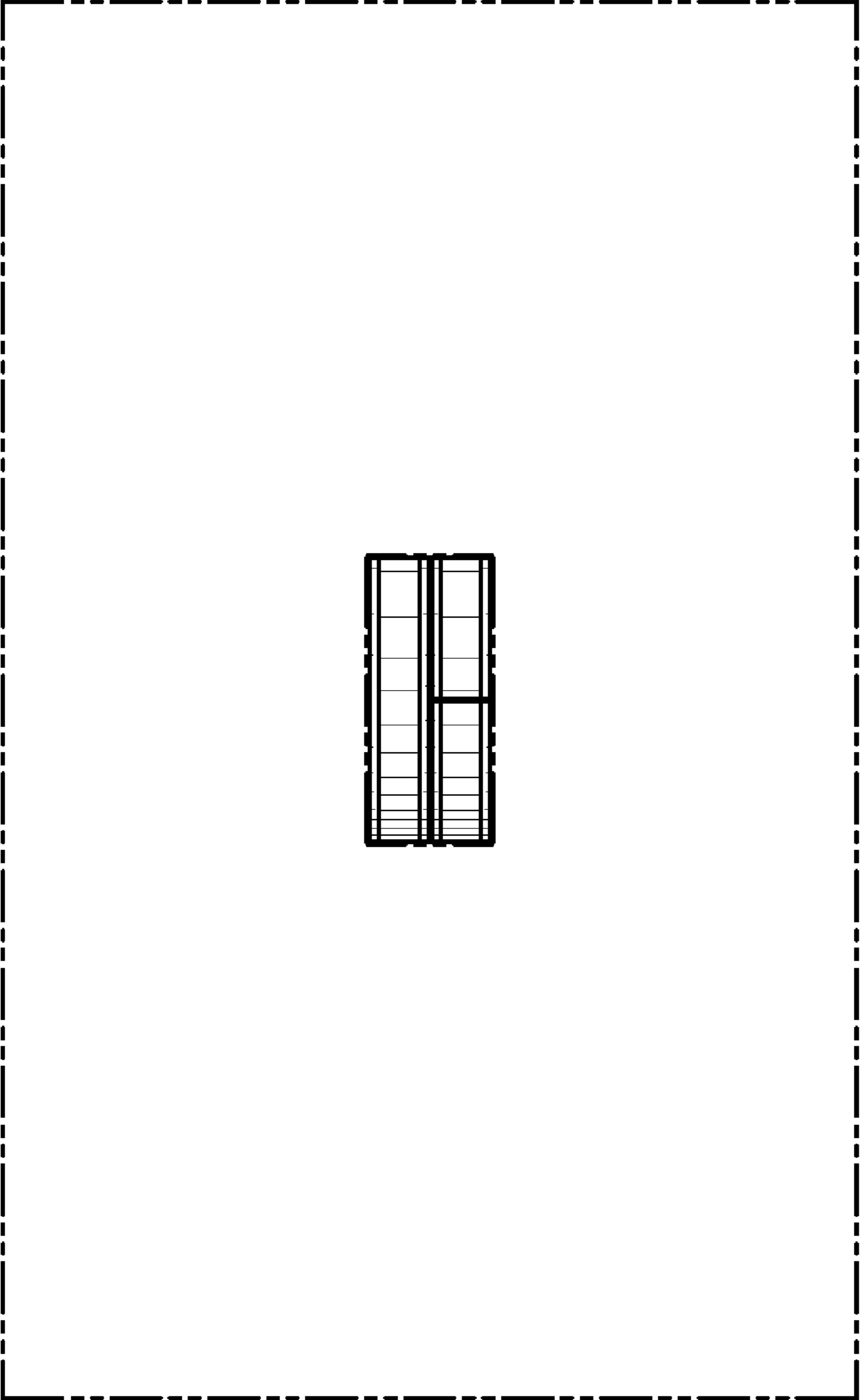


Fig. 8

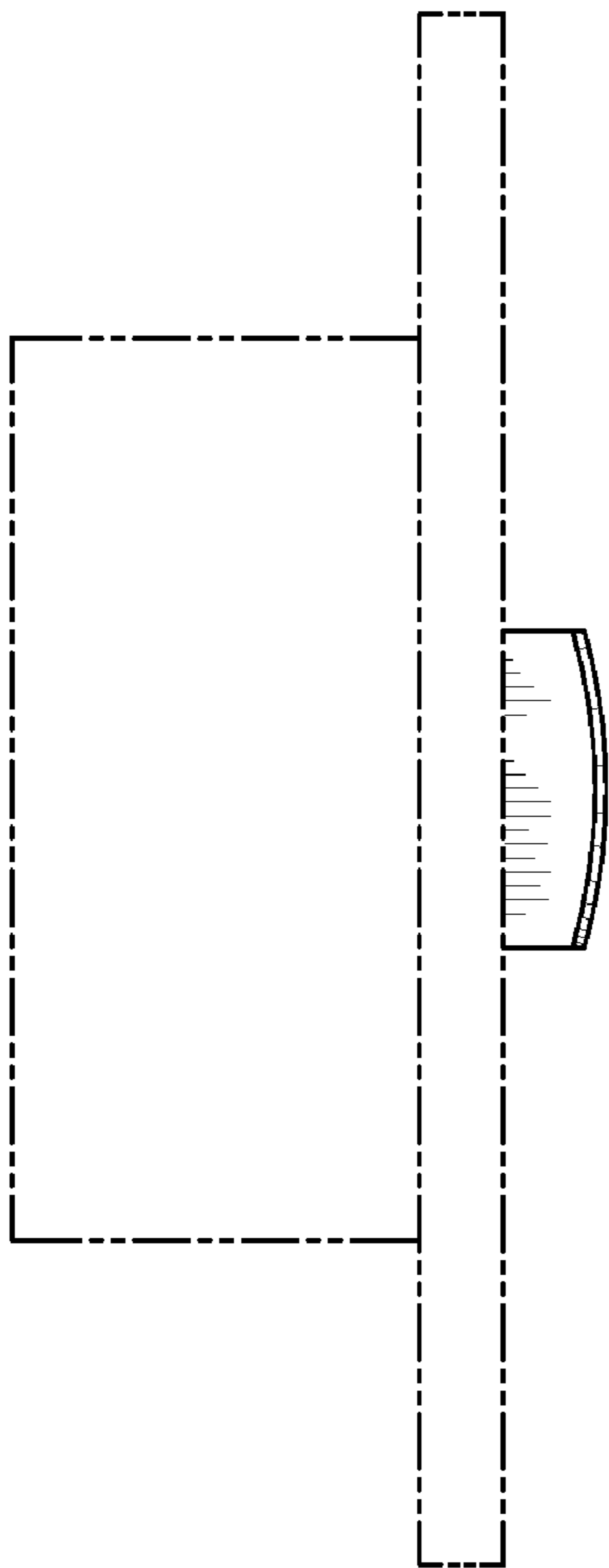


Fig. 9

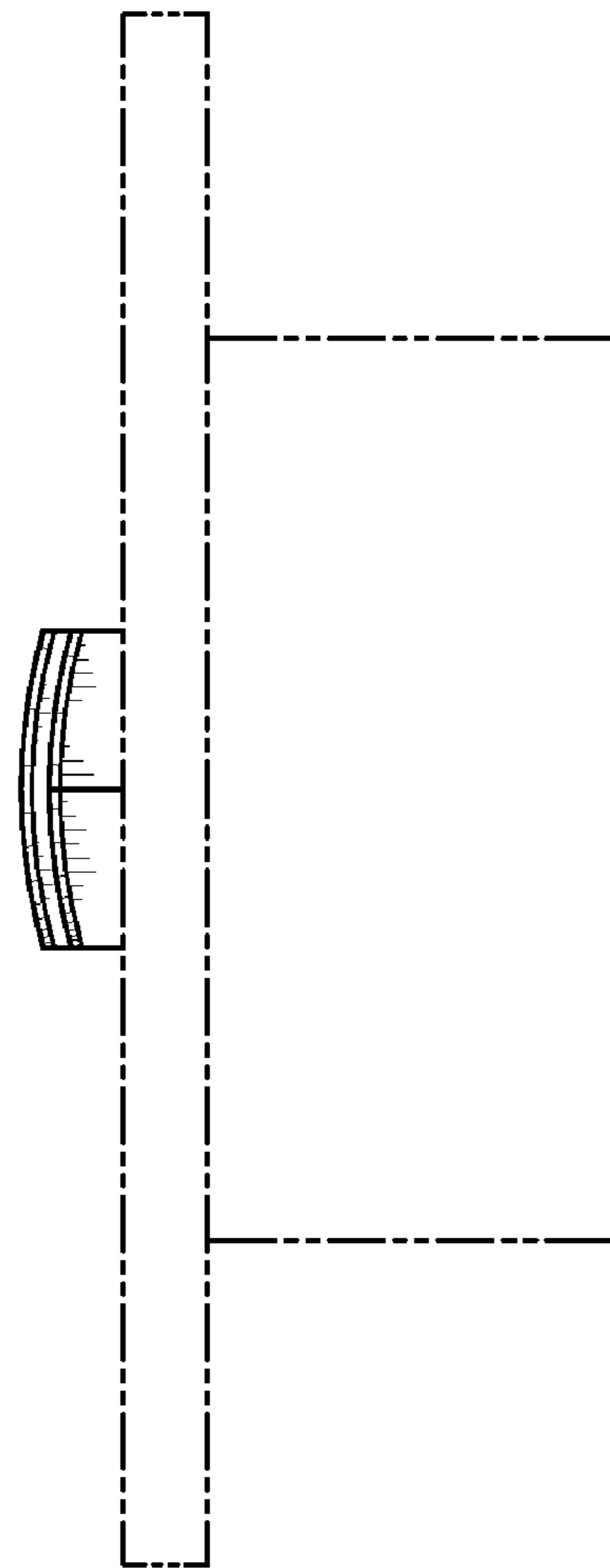


Fig. 10

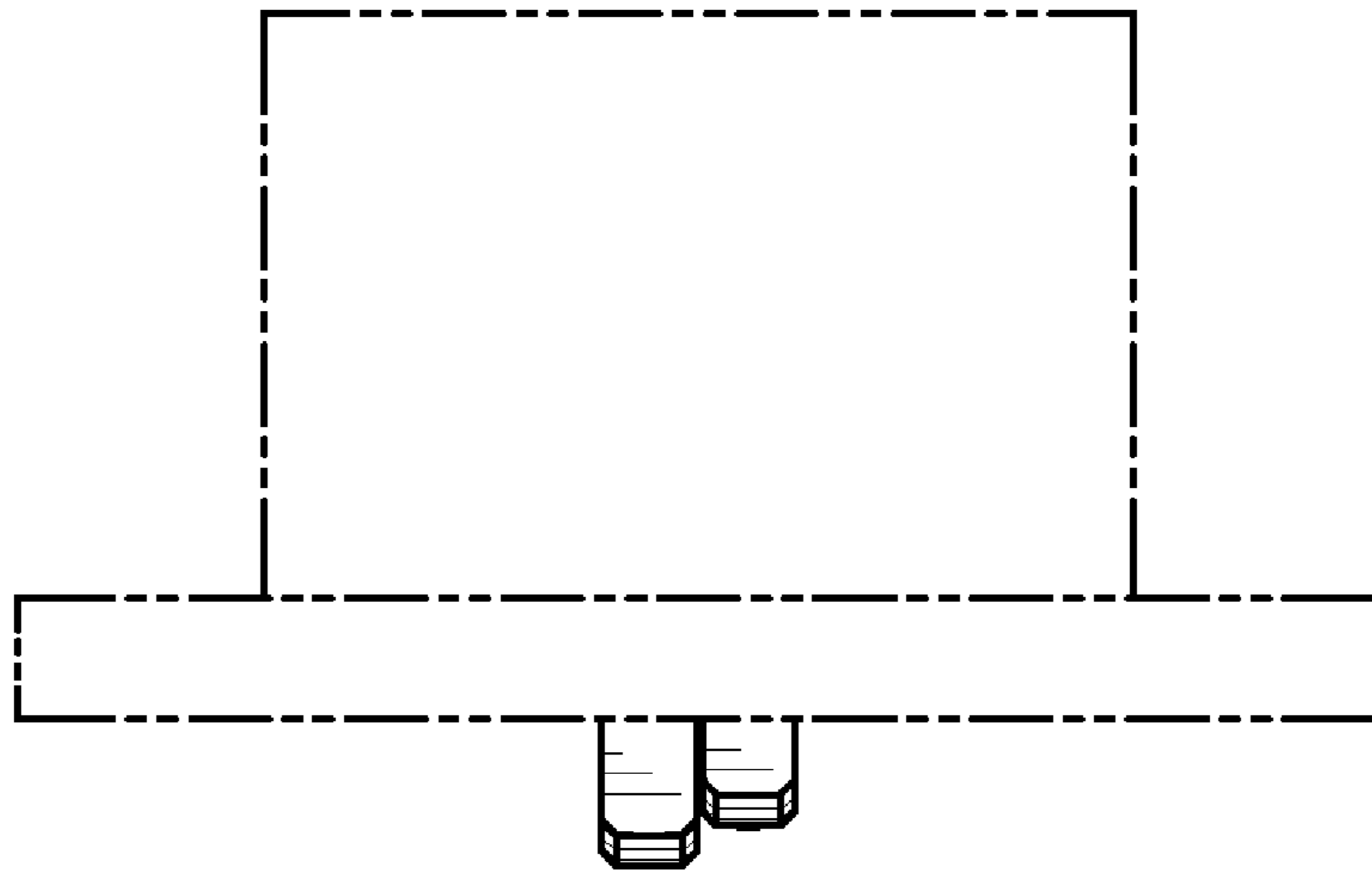


Fig. 11

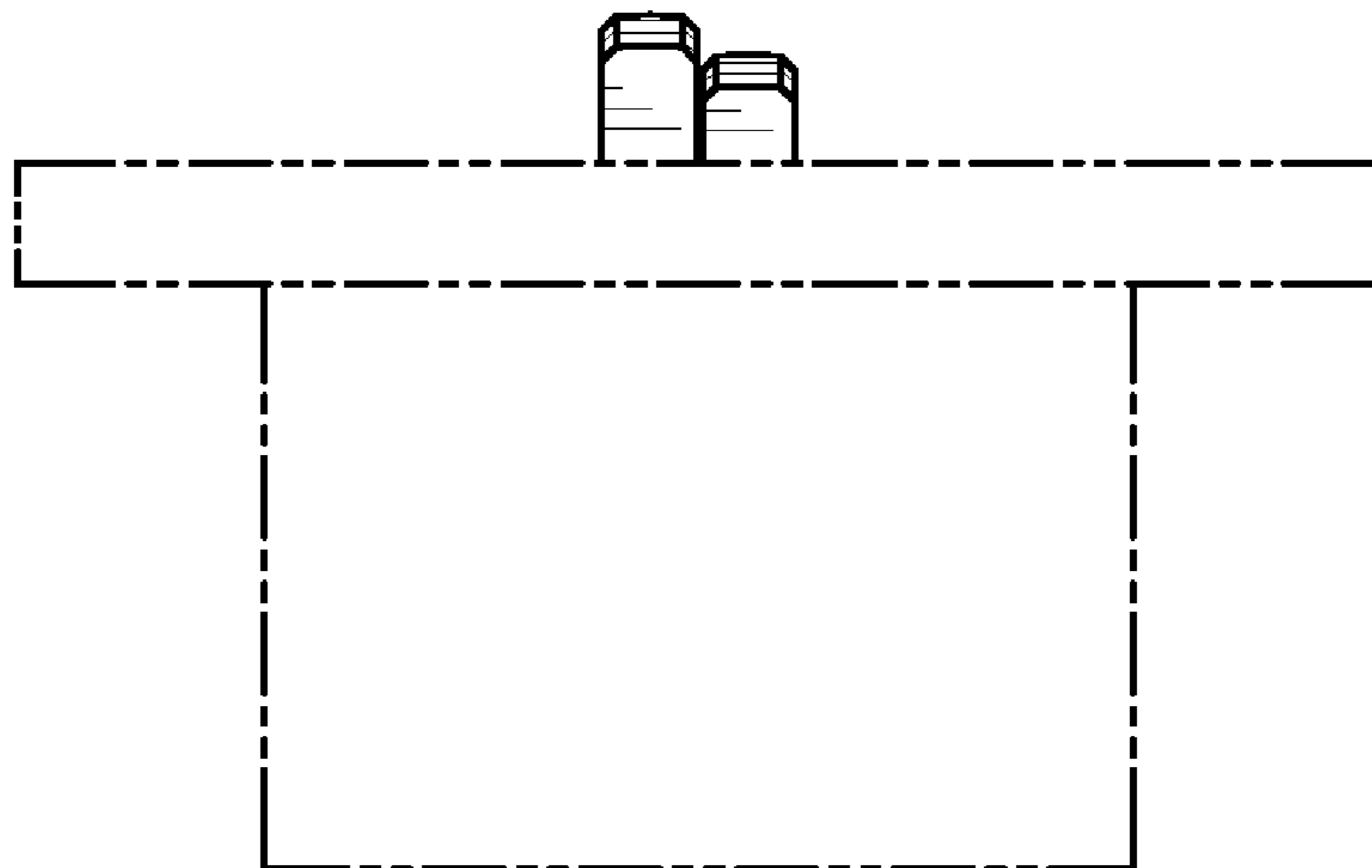


Fig. 12