

US00D568824S

(12) **United States Design Patent**  
**Benoit**

(10) **Patent No.:** **US D568,824 S**

(45) **Date of Patent:** **\*\* May 13, 2008**

(54) **ELECTRICAL SWITCH**

(76) Inventor: **Alexander P. Benoit**, 985 Hanover St.,  
Manchester, NH (US) 03104

(\*\*) Term: **14 Years**

(21) Appl. No.: **29/280,791**

(22) Filed: **Jun. 7, 2007**

(51) **LOC (8) Cl.** ..... **13-03**

(52) **U.S. Cl.** ..... **D13/158**

(58) **Field of Classification Search** ..... D13/158-178,  
D13/184, 199; 200/329-332, 334-338, 340,  
200/153 T, 153 G, 153 H, 293, 172 A, 172 R,  
200/553, 569

See application file for complete search history.

(56) **References Cited**

**U.S. PATENT DOCUMENTS**

3,720,802 A \* 3/1973 Fischer ..... 200/332  
4,063,056 A \* 12/1977 Baker ..... 200/332  
4,291,213 A \* 9/1981 Felland et al. .... 200/335

4,641,003 A \* 2/1987 Alfors ..... 200/332  
D402,633 S \* 12/1998 Wirth ..... D13/158  
RE36,834 E \* 8/2000 Kossakowski et al. .... 200/17 R

\* cited by examiner

*Primary Examiner*—Daniel Bui  
*Assistant Examiner*—Thomas J Johannes  
(74) *Attorney, Agent, or Firm*—Bourque & Associates

(57) **CLAIM**

The ornamental design for an electrical switch, as shown and described herein.

**DESCRIPTION**

FIG. 1 is a side perspective view of an electrical switch, showing my new design;  
FIG. 2 is a top plan view of the electrical switch.  
FIG. 3 is a front elevation view of the electrical switch.  
FIG. 4 is a rear elevation view of the electrical switch; and,  
FIG. 5 is a side elevation view of the electrical switch.

**1 Claim, 5 Drawing Sheets**

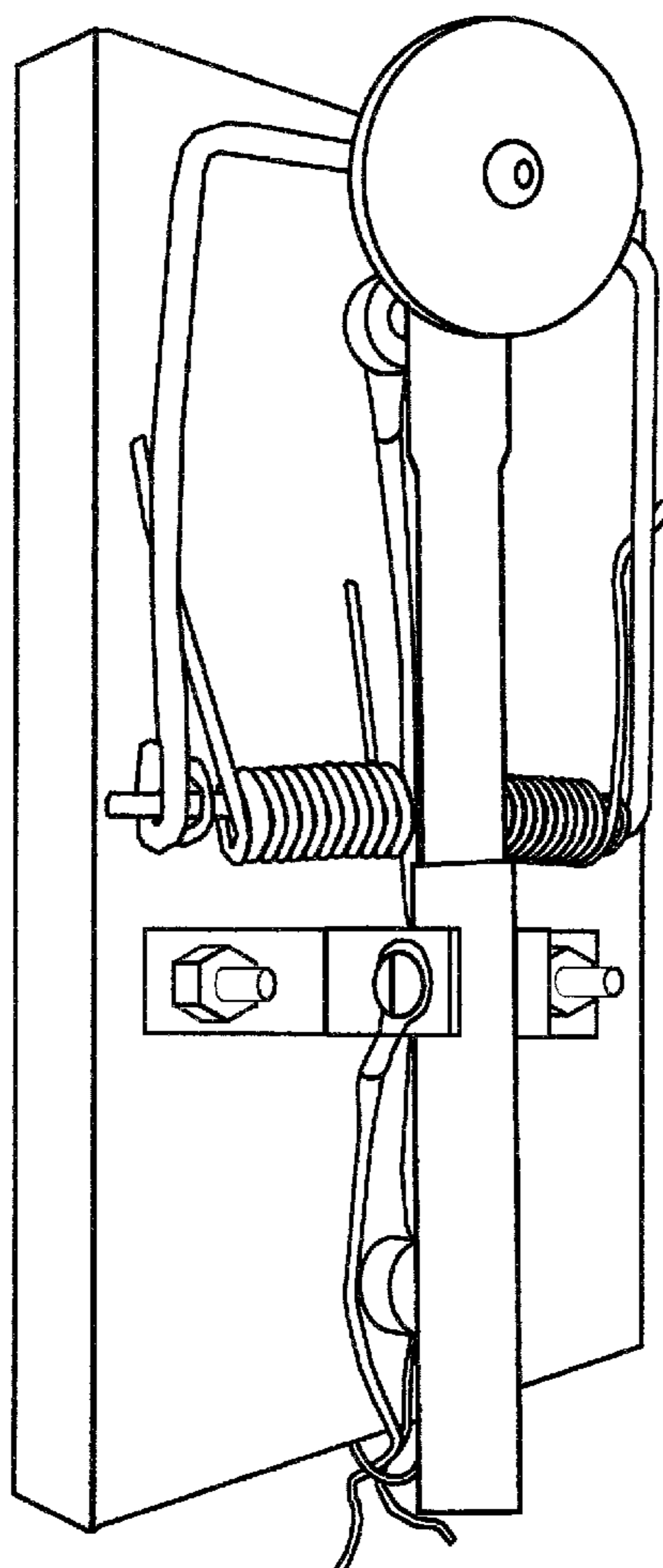


FIG. 1

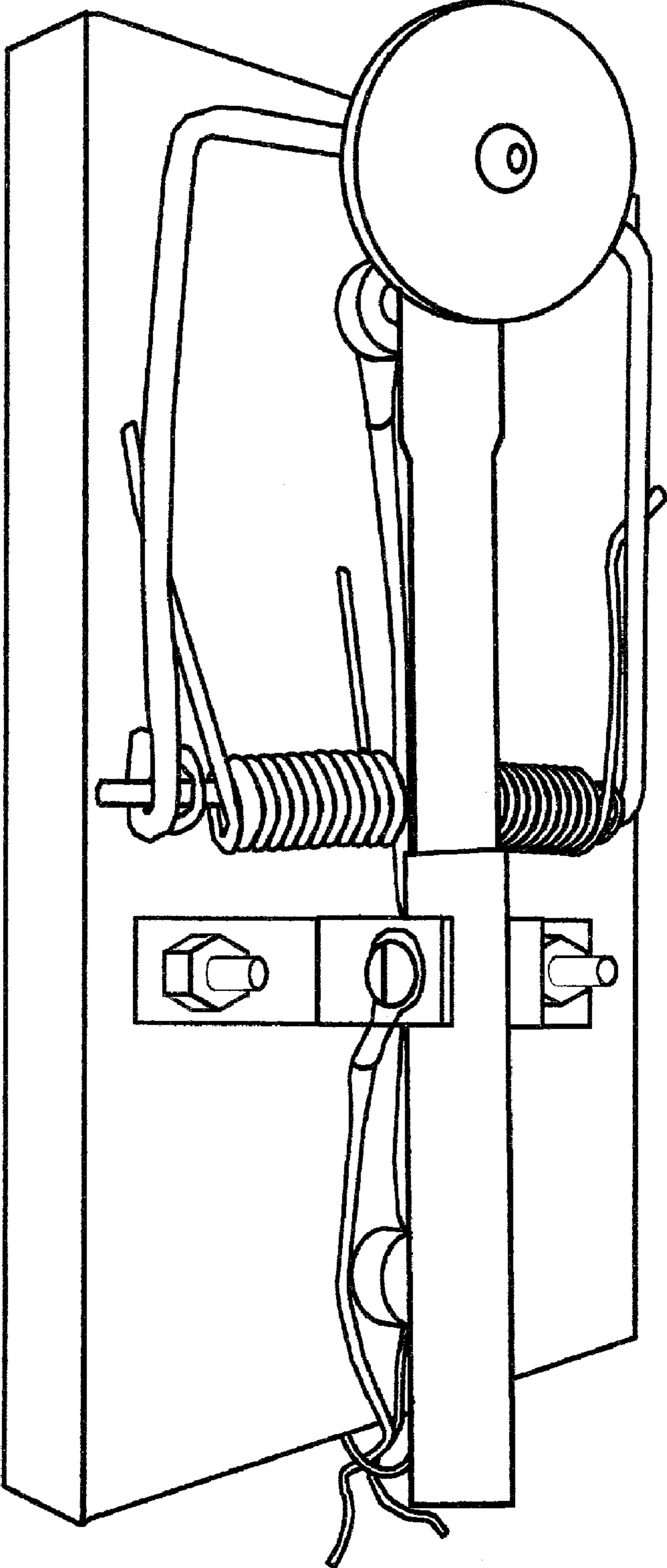


FIG. 2

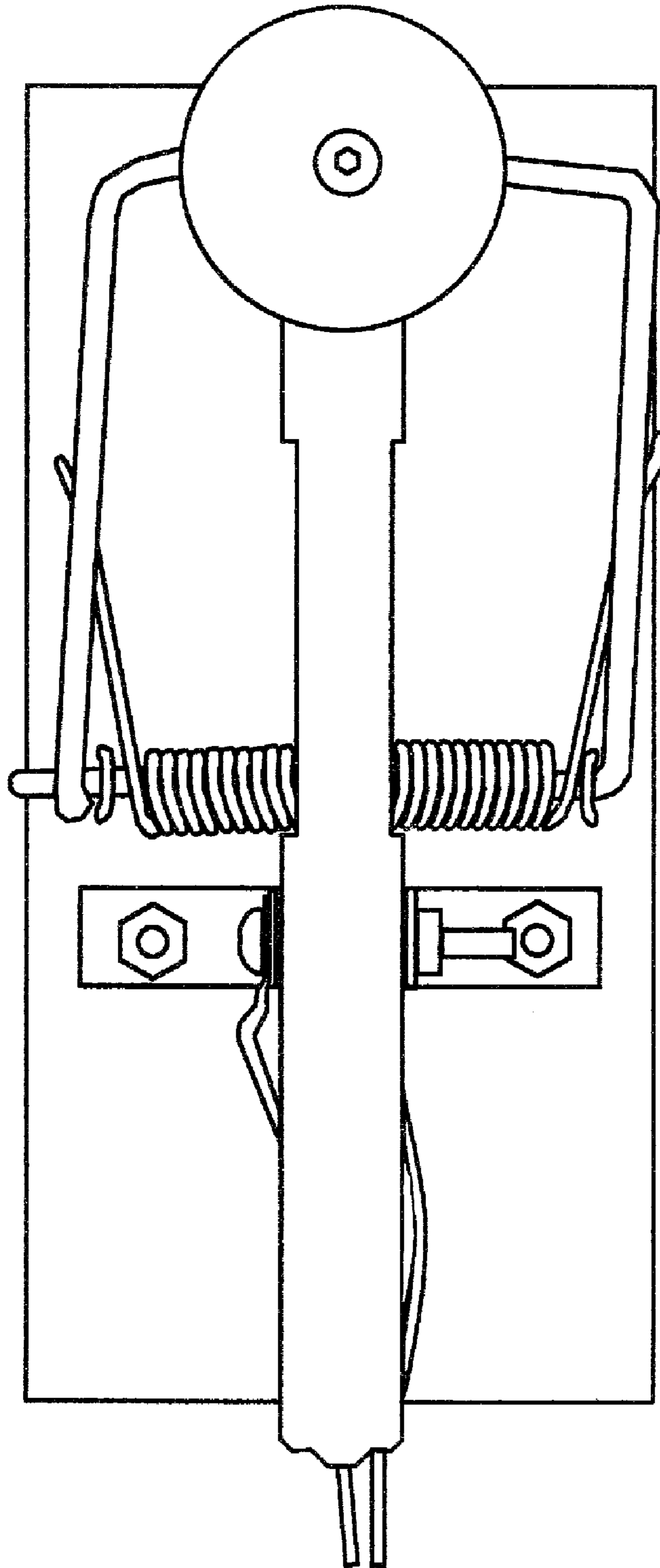


FIG. 3

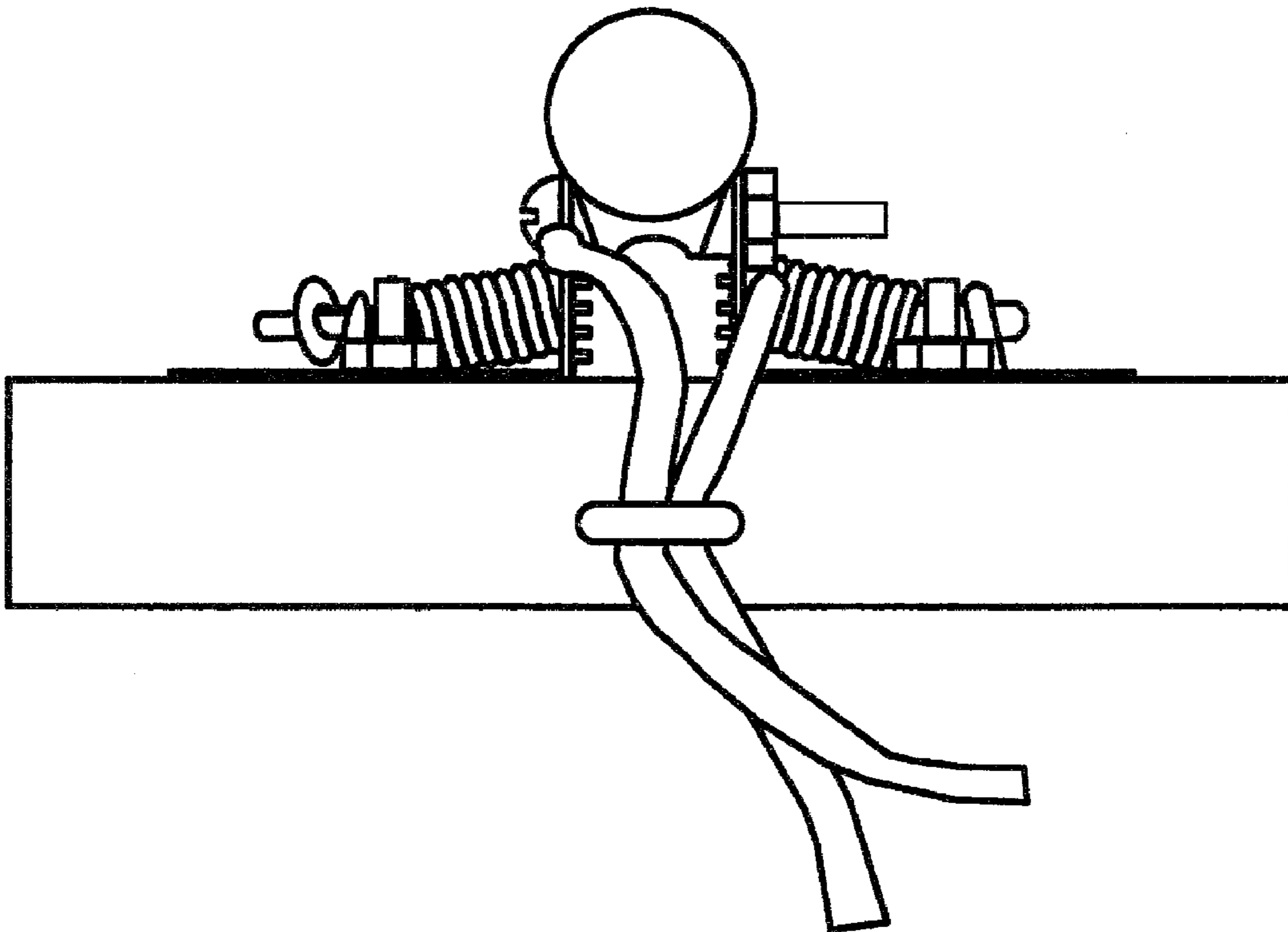


FIG. 4

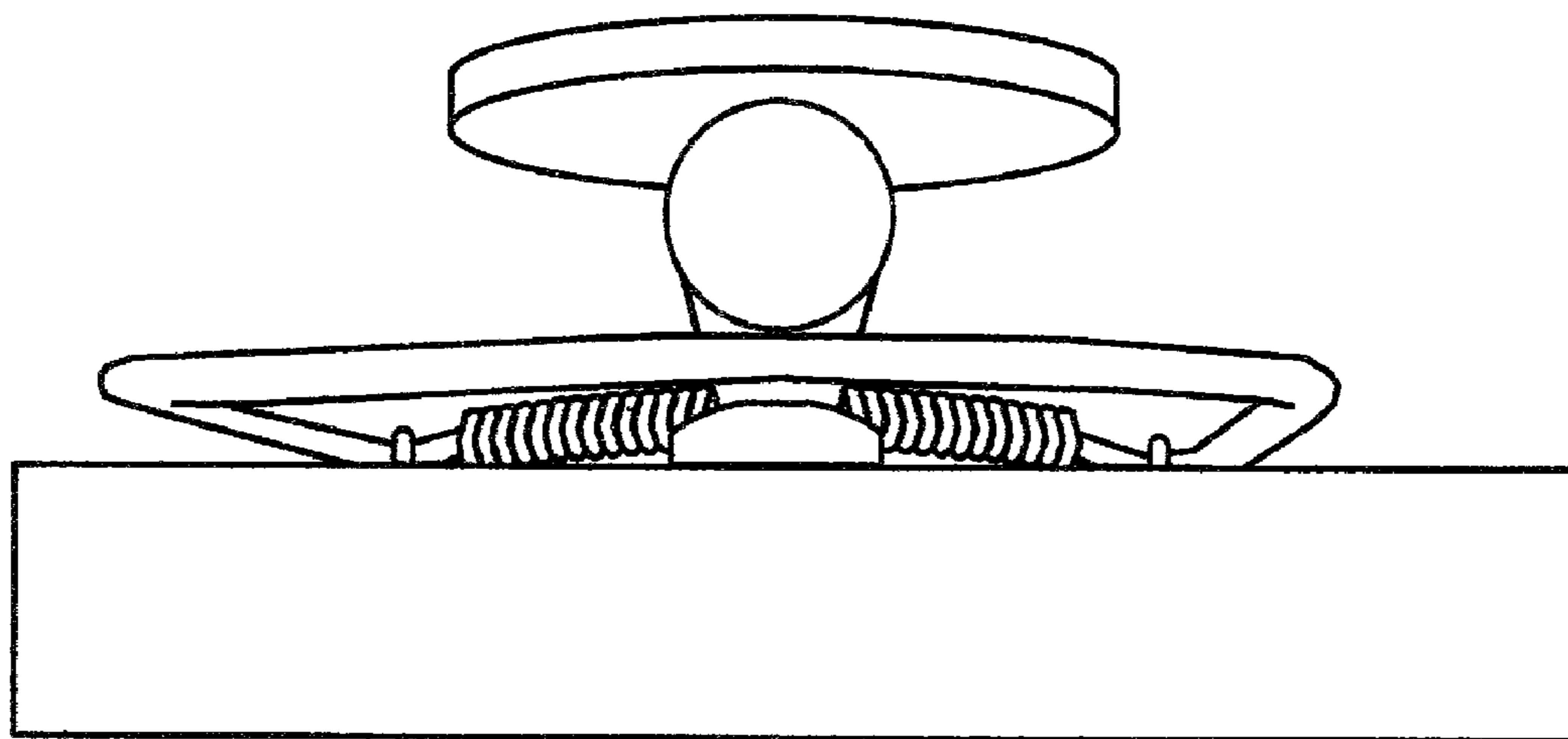


FIG. 5

