



US00D568822S

(12) **United States Design Patent**  
**Kuo**

(10) **Patent No.:** **US D568,822 S**

(45) **Date of Patent:** **\*\* May 13, 2008**

(54) **ELECTRICAL CONNECTOR**

(75) Inventor: **Peter Kuo**, Tu-Cheng (TW)

(73) Assignee: **Hon Hai Precision Ind. Co., Ltd.**,  
Taipei Hsien (TW)

(\*\*) Term: **14 Years**

(21) Appl. No.: **29/245,463**

(22) Filed: **Dec. 23, 2005**

(30) **Foreign Application Priority Data**

Jun. 29, 2005 (CN) ..... 2005 3 0086028  
Jul. 26, 2005 (CN) ..... 2005 3 0087272

(51) **LOC (8) Cl.** ..... **13-03**

(52) **U.S. Cl.** ..... **D13/154; D13/133**

(58) **Field of Classification Search** ..... D13/133,  
D13/154, 184, 199; 439/349, 675, 750, 842,  
439/850-851, 889, 948

See application file for complete search history.

(56) **References Cited**

**U.S. PATENT DOCUMENTS**

D243,698 S \* 3/1977 Gietzen ..... D13/133  
D320,192 S \* 9/1991 Sisk ..... D13/133  
D399,189 S \* 10/1998 Lin ..... D13/146

D424,020 S \* 5/2000 Fischer ..... D13/146  
D500,475 S \* 1/2005 Noro et al. .... D13/133  
D544,444 S \* 6/2007 Yamada ..... D13/147  
2005/0161246 A1\* 7/2005 Khemakhem et al. .... 174/75 C

\* cited by examiner

*Primary Examiner*—Daniel Bui

(74) *Attorney, Agent, or Firm*—Wei Te Chung

(57) **CLAIM**

The ornamental design for an electrical connector, as shown and described.

**DESCRIPTION**

FIG. 1 is a perspective view of an electrical connector, showing my new design;

FIG. 2 is a rear elevation view thereof;

FIG. 3 is a left side elevation view thereof;

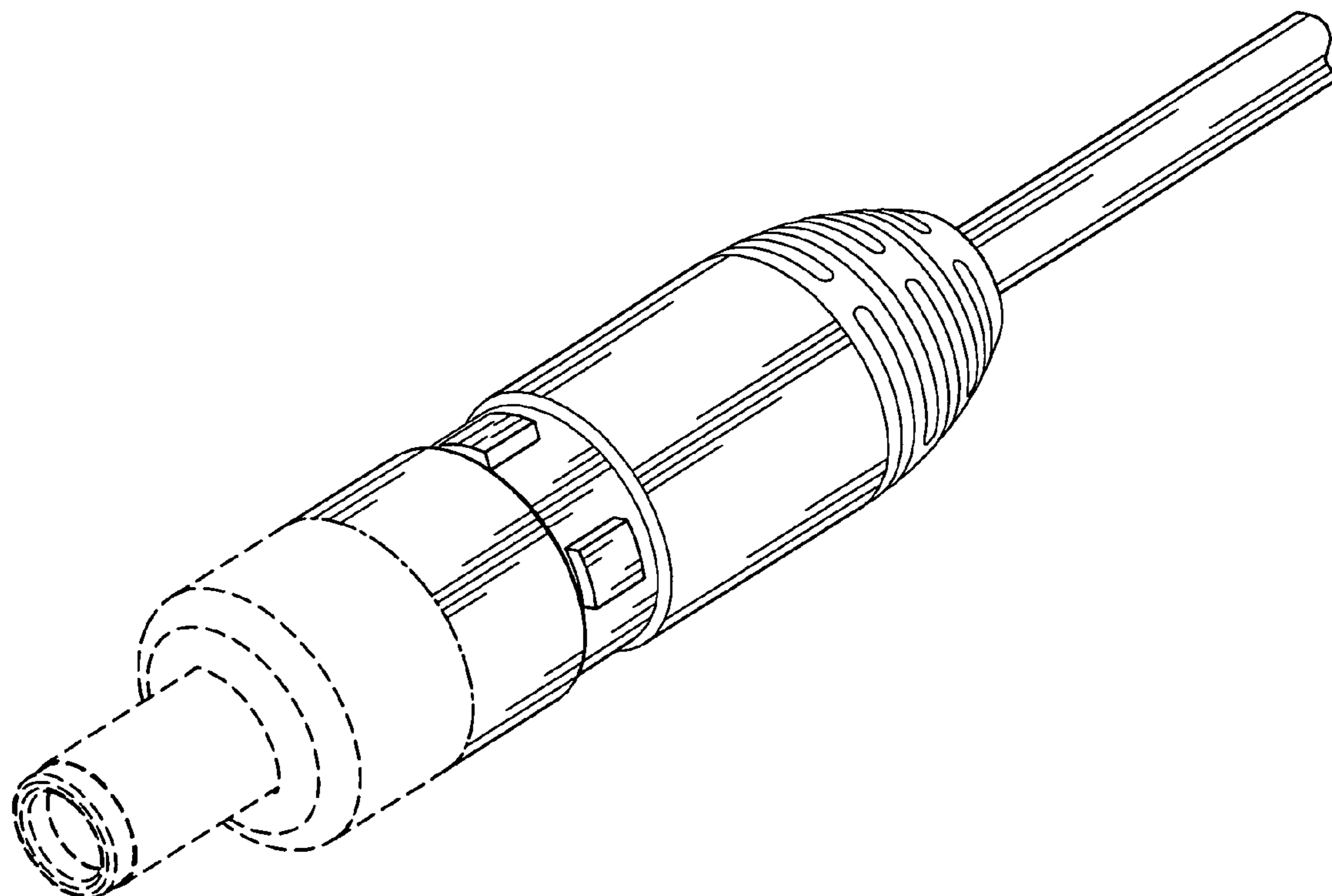
FIG. 4 is a right side elevation view thereof;

FIG. 5 is a top plan view thereof; and,

FIG. 6 is a bottom plan view thereof.

The dash-dot line represent the boundary of the claim design, the dash line showing of the environment is for illustrative purposes only and forms no part of the claimed design.

**1 Claim, 6 Drawing Sheets**



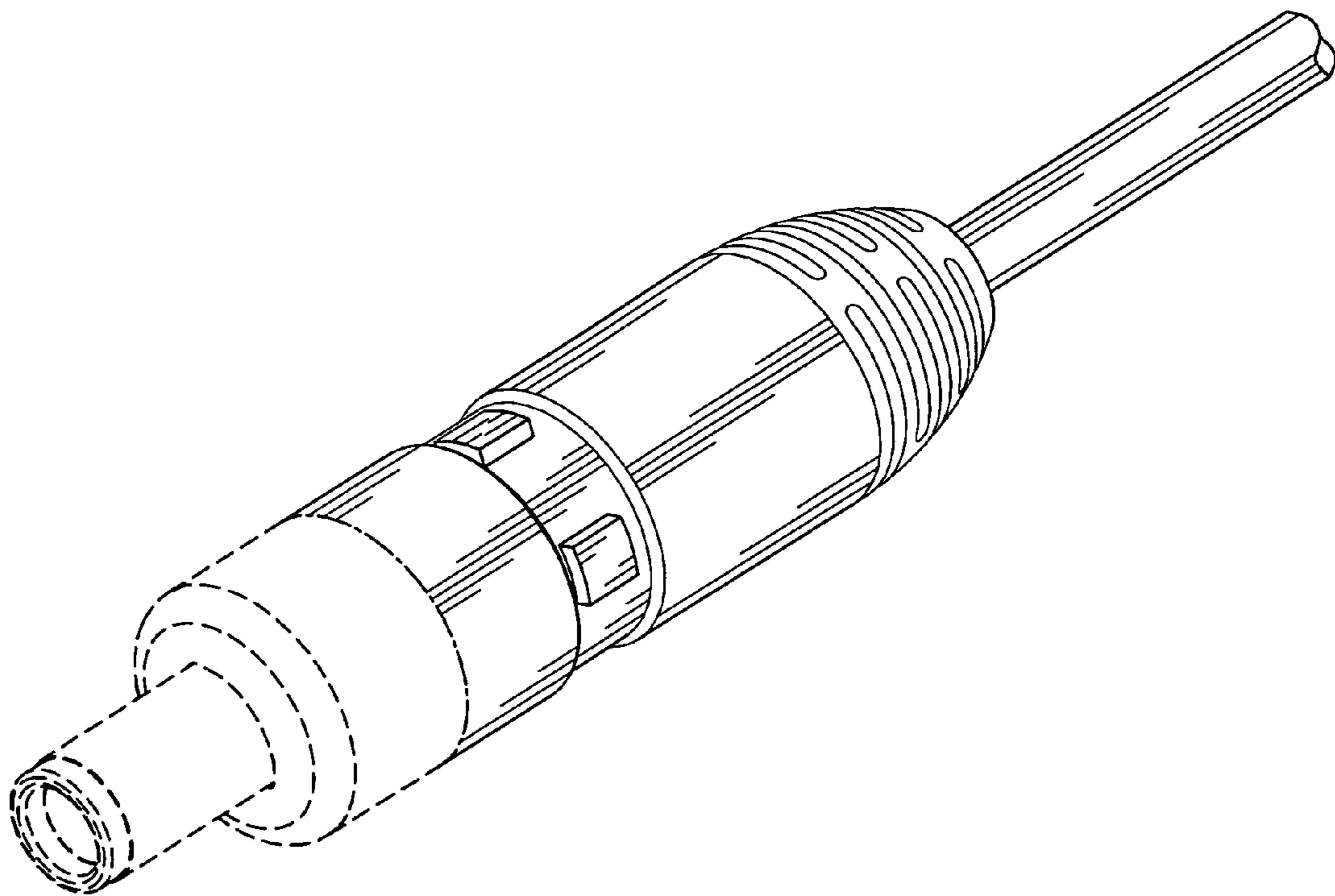


FIG. 1

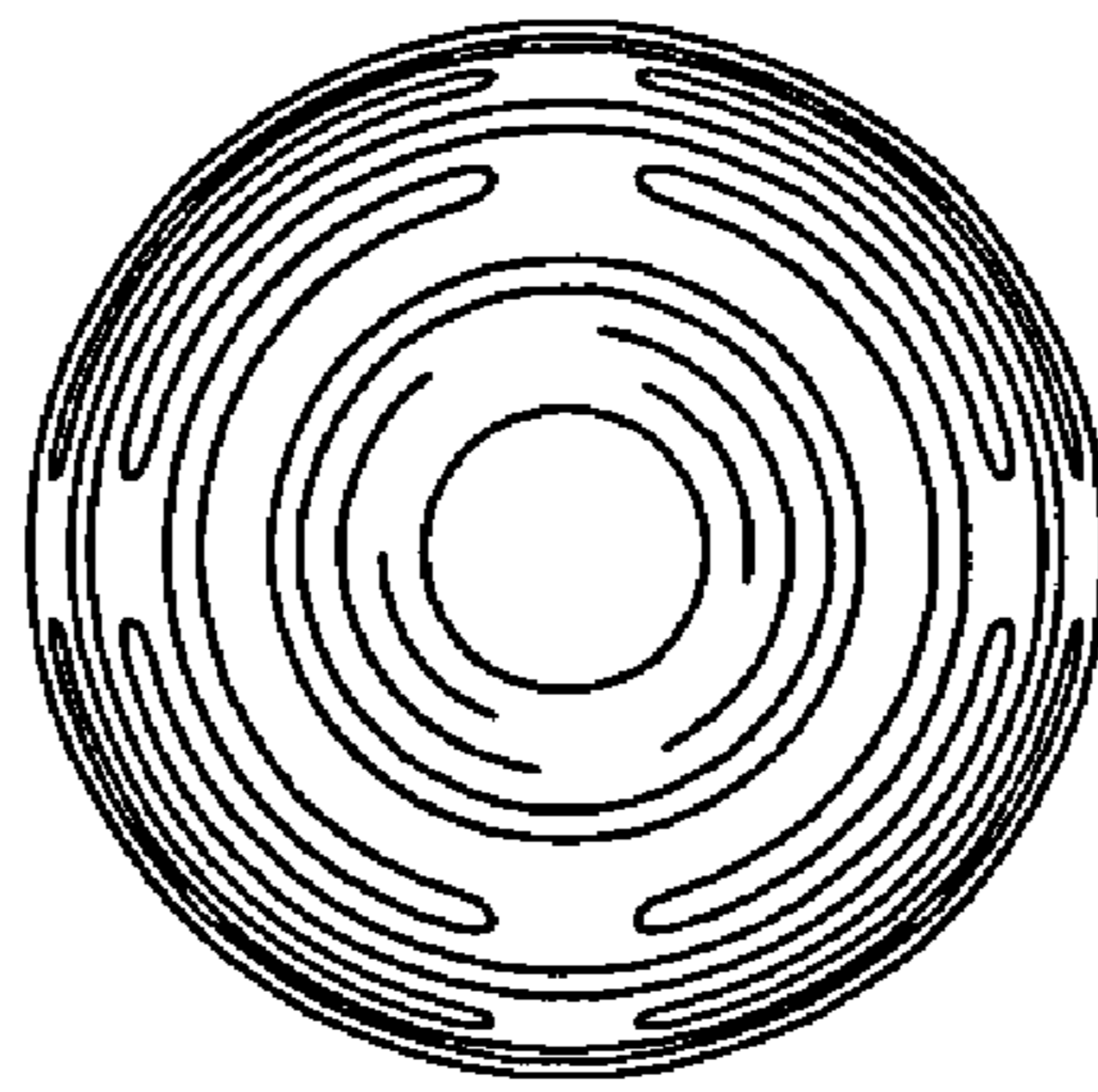


FIG. 2



FIG. 3

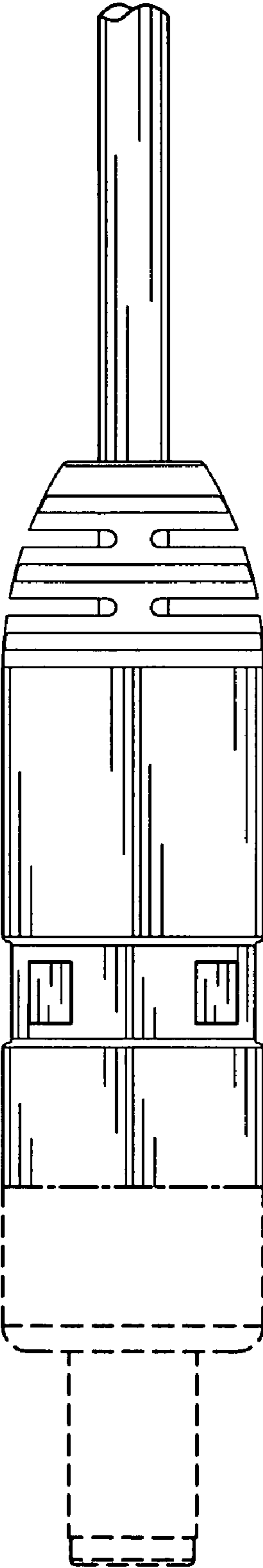


FIG. 4

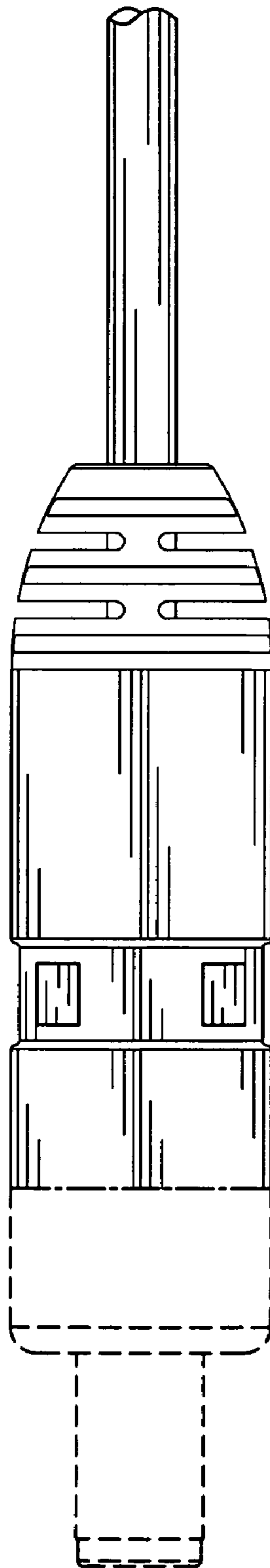


FIG. 5

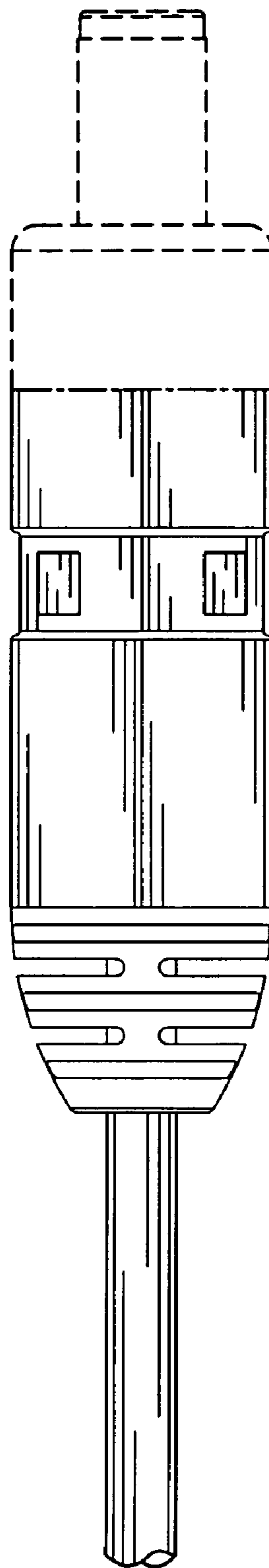


FIG. 6