

US00D568819S

(12) **United States Design Patent**
Ma

(10) **Patent No.:** **US D568,819 S**

(45) **Date of Patent:** **** May 13, 2008**

(54) **ELECTRICAL CONNECTOR ASSEMBLY**

(75) Inventor: **Wen-Qiang Ma**, ShenZhen (CN)

(73) Assignee: **Hon Hai Precision Ind. Co., Ltd.**,
Taipei Hsien (TW)

(**) Term: **14 Years**

(21) Appl. No.: **29/245,450**

(22) Filed: **Dec. 22, 2005**

(30) **Foreign Application Priority Data**

Jul. 18, 2005 (CN) 2005 3 0086764

(51) **LOC (8) Cl.** **13-03**

(52) **U.S. Cl.** **D13/147**

(58) **Field of Classification Search** D13/133,
D13/146-147, 154, 184, 199; 439/135, 607-610,
439/668, 892-894, 908
See application file for complete search history.

(56) **References Cited**

U.S. PATENT DOCUMENTS

5,100,332 A * 3/1992 Egawa 439/72

D405,055 S * 2/1999 Taylor D13/154

D428,853 S * 8/2000 Burwell et al. D13/146

D449,581 S * 10/2001 Bosatelli D13/146

D450,299 S * 11/2001 Ma et al. D13/133

6,827,594 B1 * 12/2004 Davis et al. 439/157

D528,983 S * 9/2006 Solida D13/146

* cited by examiner

Primary Examiner—Daniel Bui

(74) *Attorney, Agent, or Firm*—Wei Te Chung

(57) **CLAIM**

The ornamental design for an electrical connector assembly,
as shown.

DESCRIPTION

FIG. 1 is a front, top and right side perspective view of an
electrical connector assembly showing my new design;

FIG. 2 is a front elevational view of FIG. 1;

FIG. 3 is a rear elevational view of FIG. 1;

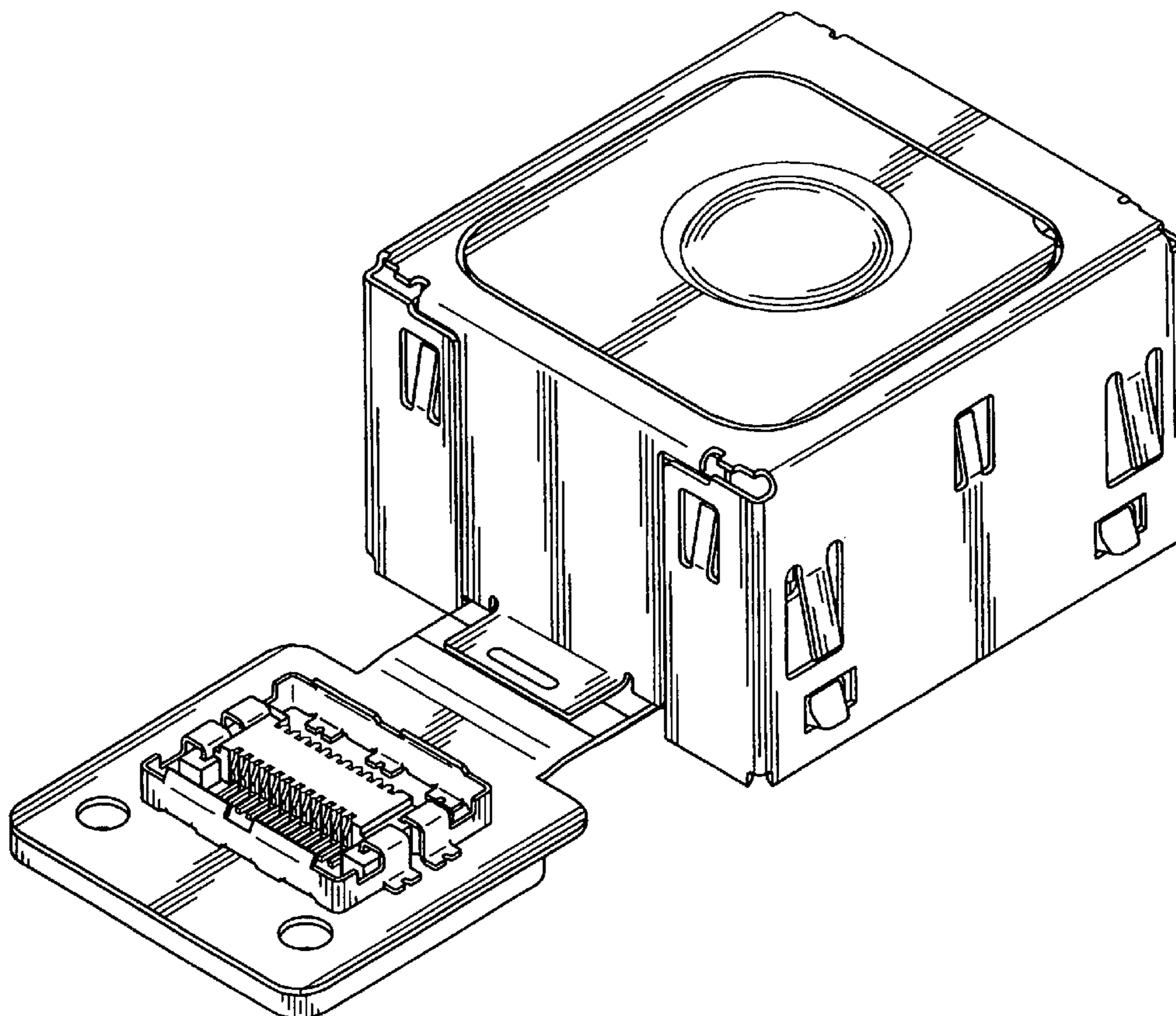
FIG. 4 is a left side elevational view of FIG. 1;

FIG. 5 is a right side elevational view of FIG. 1;

FIG. 6 is a top plan view of FIG. 1; and,

FIG. 7 is a bottom plan view of FIG. 1.

1 Claim, 7 Drawing Sheets



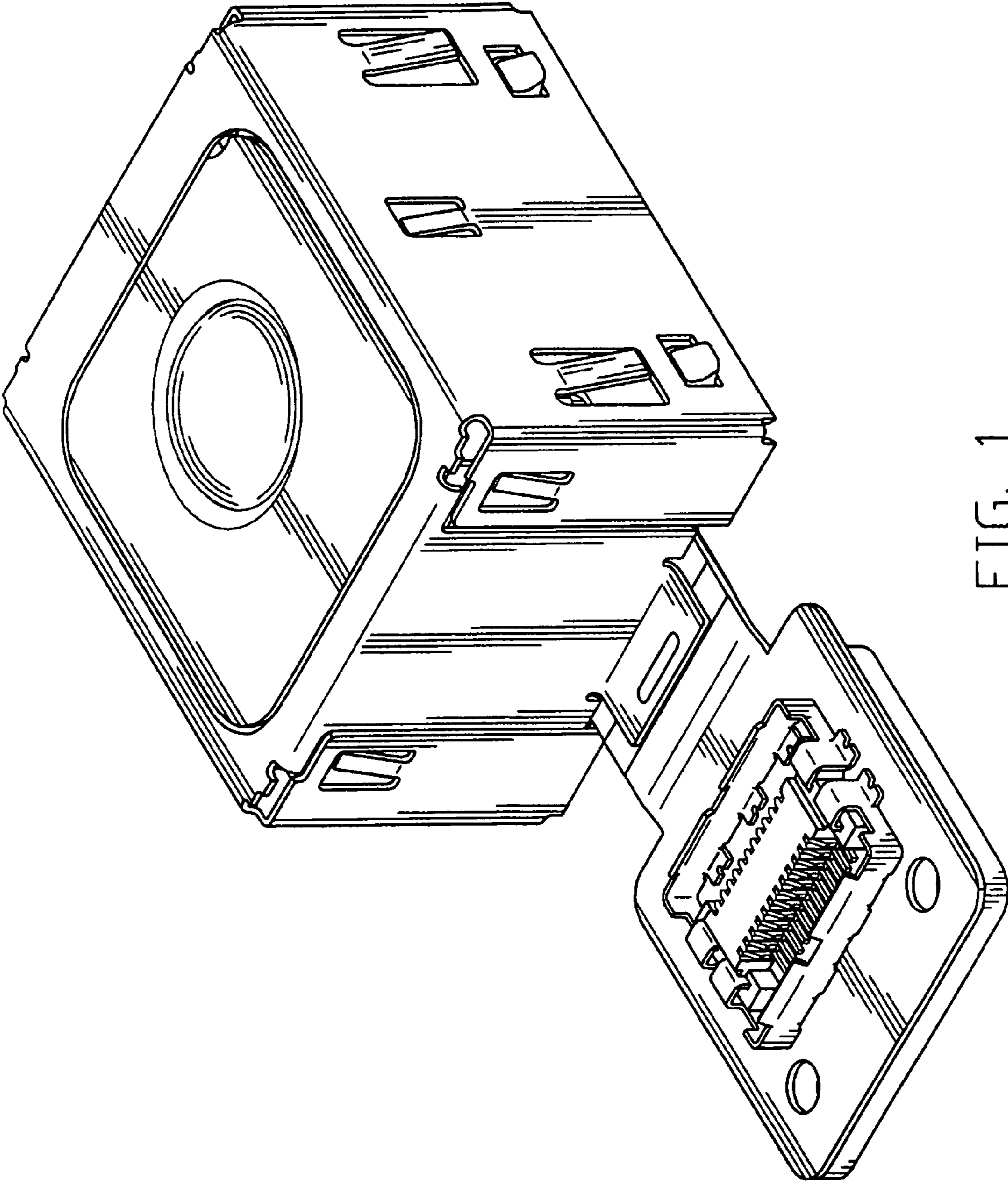


FIG. 1

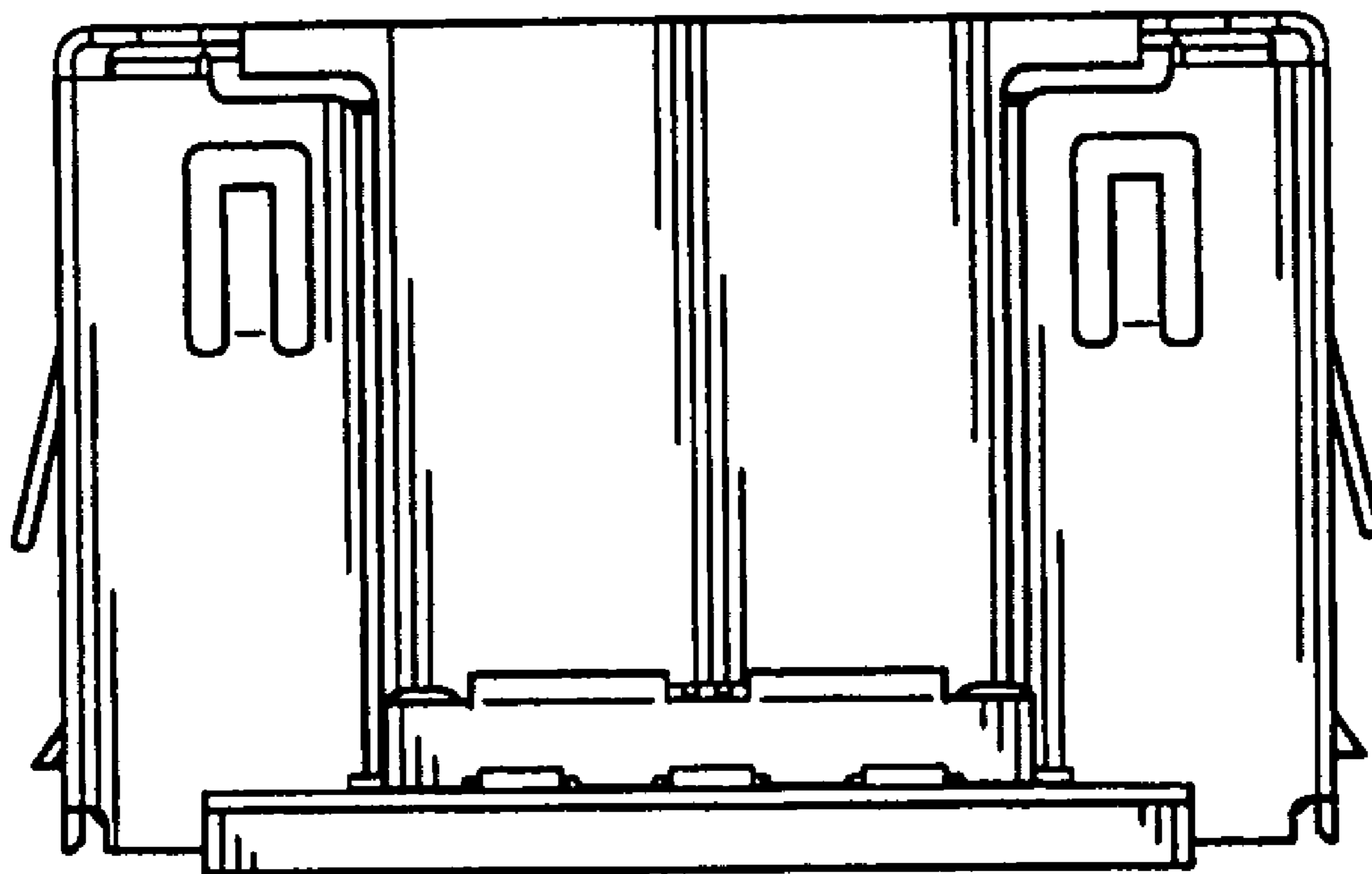


FIG. 2

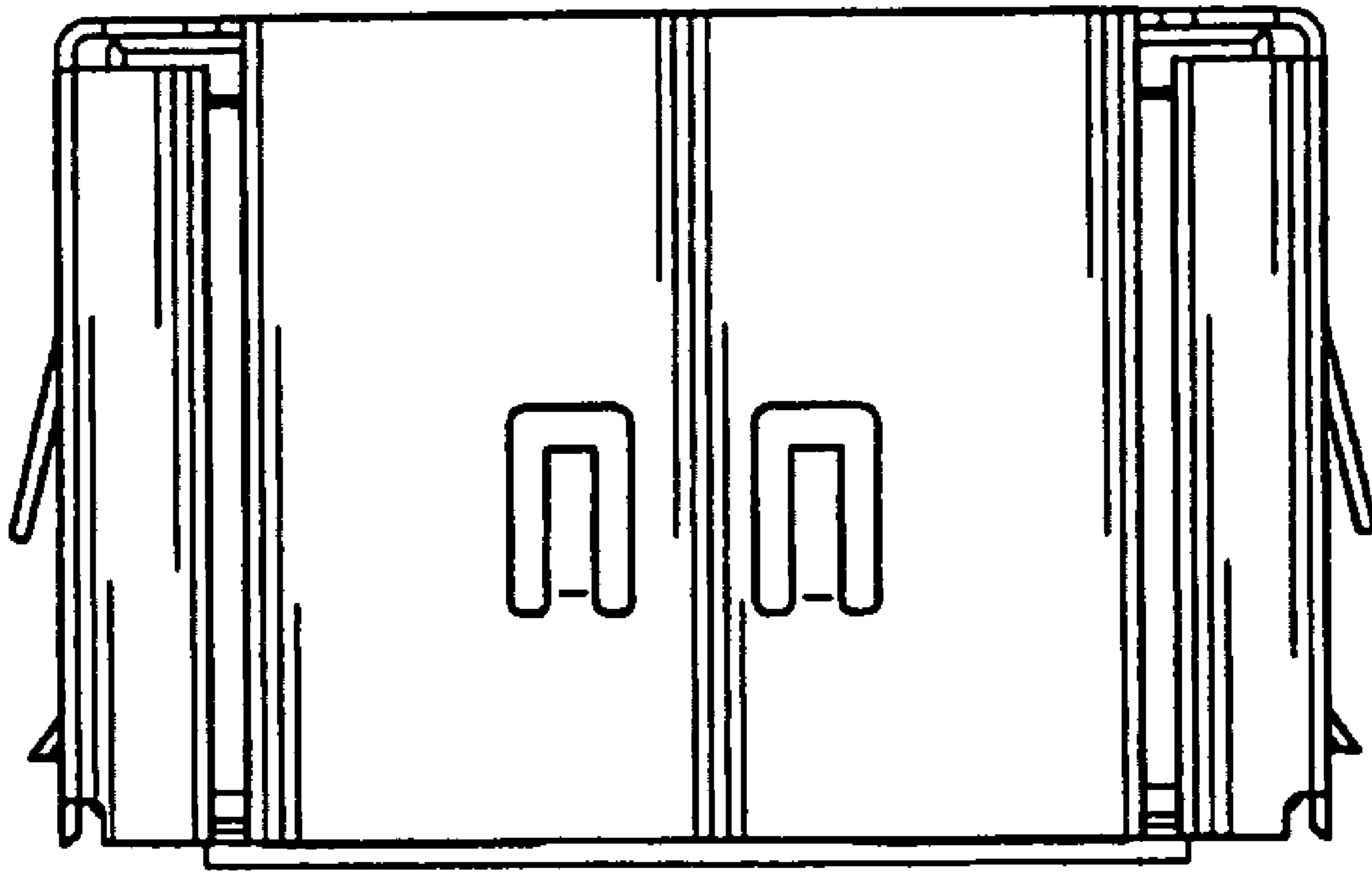


FIG. 3

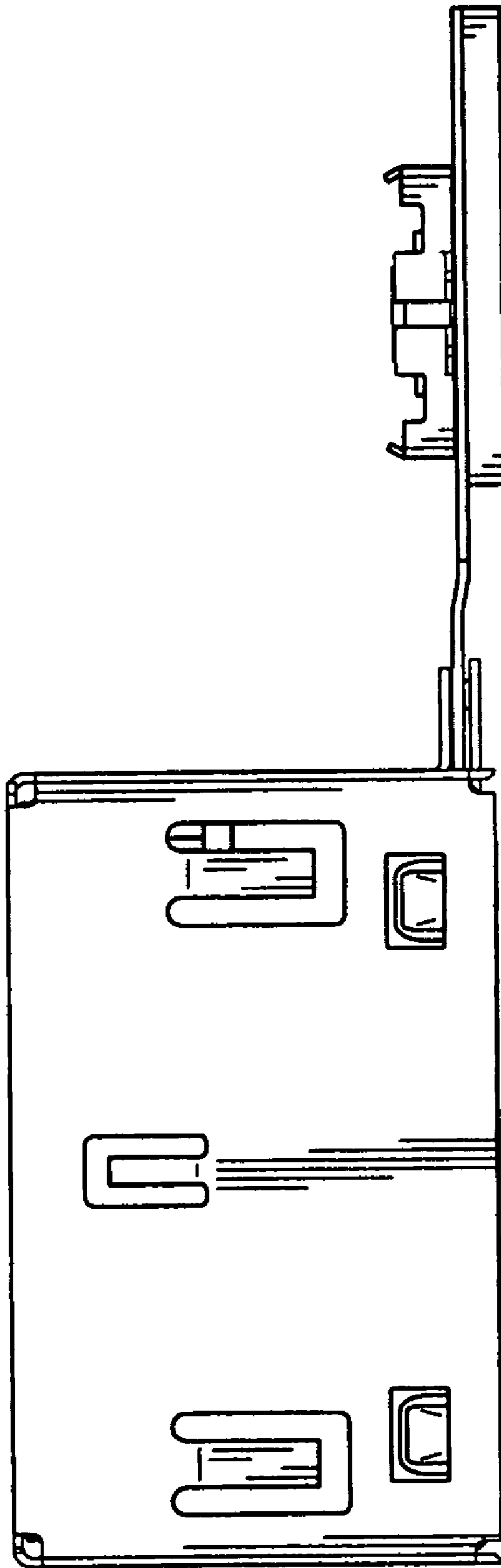


FIG. 4

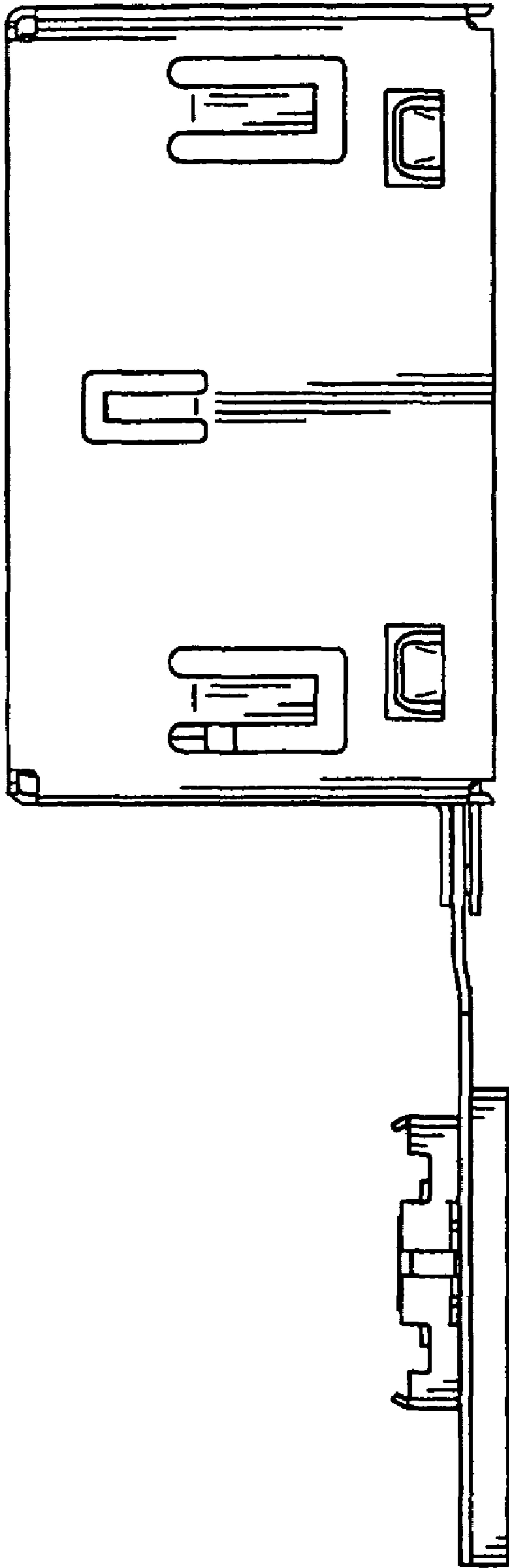


FIG. 5

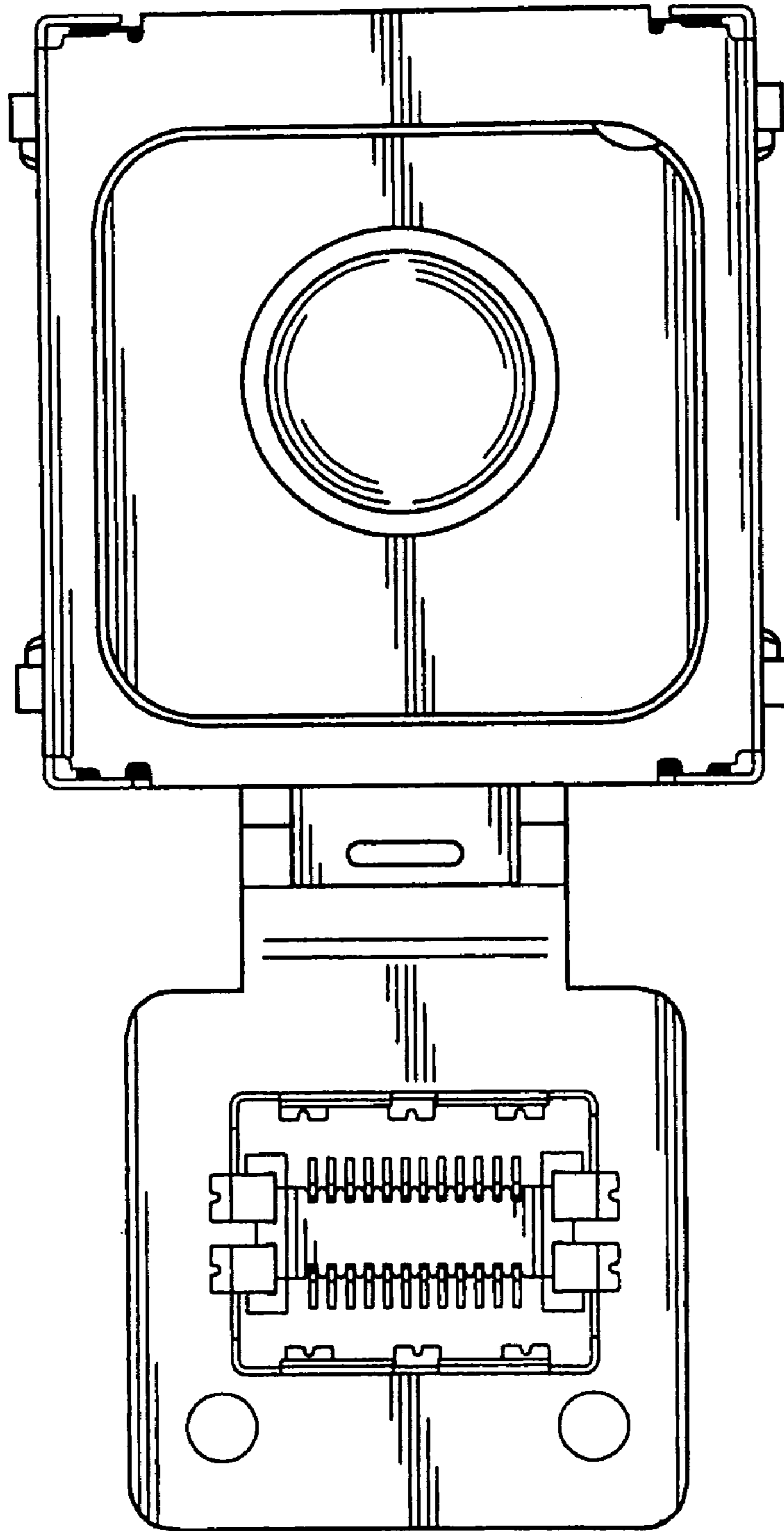


FIG. 6

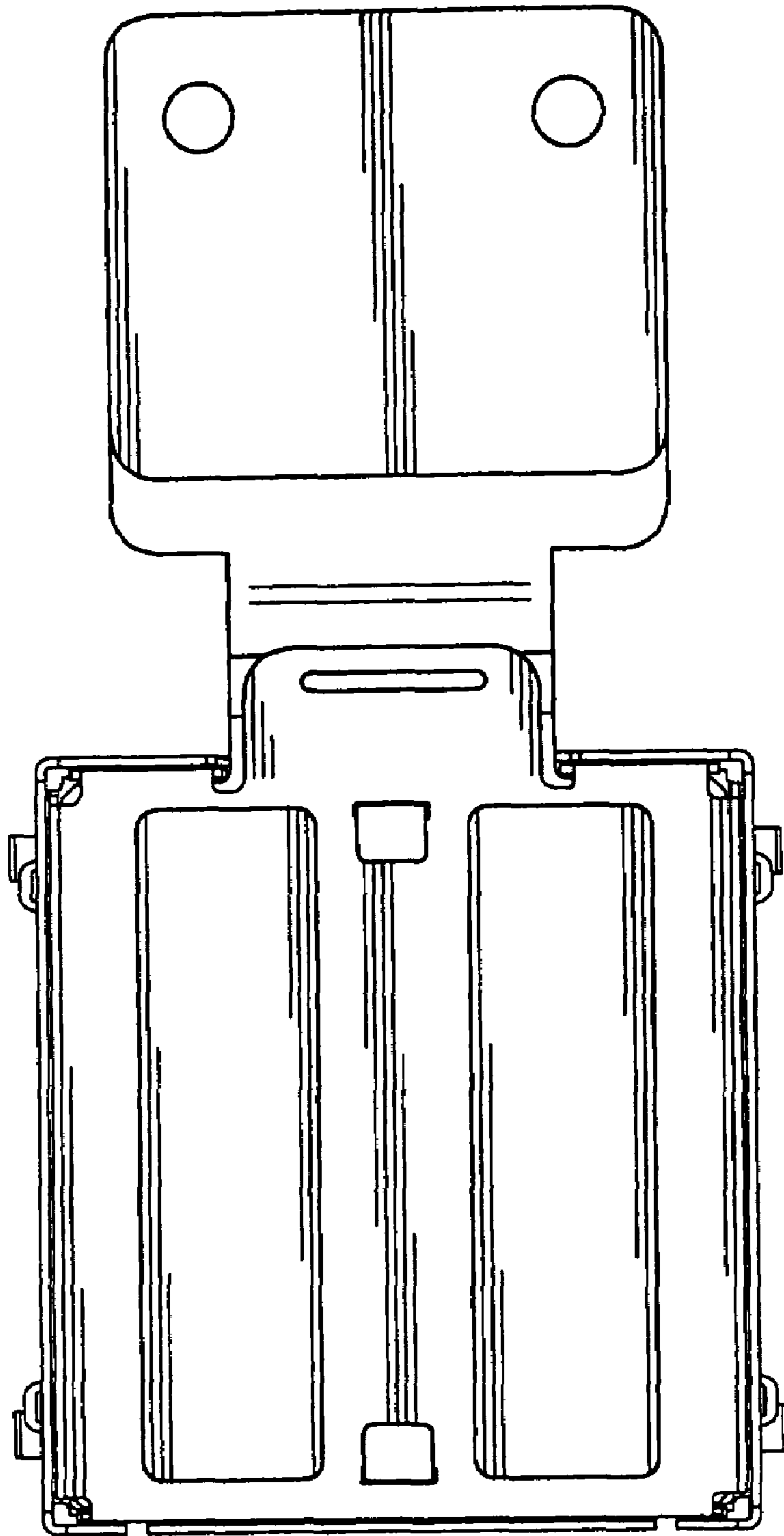


FIG. 7