

US00D568818S

(12) **United States Design Patent**
Mollon

(10) **Patent No.:** **US D568,818 S**

(45) **Date of Patent:** **** May 13, 2008**

(54) **MOLDED PIN RETAINER FOR ELECTRICAL CONNECTOR**

6,945,824 B1 * 9/2005 Li et al. 439/660
D535,620 S * 1/2007 Mace et al. D13/133

(76) Inventor: **Mark L. Mollon**, 36270 Dardanella,
Livonia, MI (US) 48152

* cited by examiner

Primary Examiner—Daniel Bui
(74) *Attorney, Agent, or Firm*—Butzel Long

(**) Term: **14 Years**

(21) Appl. No.: **29/217,506**

(57) **CLAIM**

(22) Filed: **Nov. 18, 2004**

The ornamental design for a molded pin retainer for electrical connector, as shown and described.

(51) **LOC (8) Cl.** **13-03**

(52) **U.S. Cl.** **D13/147; D13/154**

(58) **Field of Classification Search** D13/133,
D13/146–147, 154, 184, 199; 439/149, 610,
439/660, 668, 680, 682, 692, 694, 701
See application file for complete search history.

DESCRIPTION

FIG. 1 is a top, front and right side perspective view of a molded pin retainer for electrical connector, showing my new design;

FIG. 2 is a top plan view thereof;

FIG. 3 is a bottom plan view thereof;

FIG. 4 is a rear elevation view thereof;

FIG. 5 is a front elevation view thereof;

FIG. 6 is a right side elevation view thereof; and,

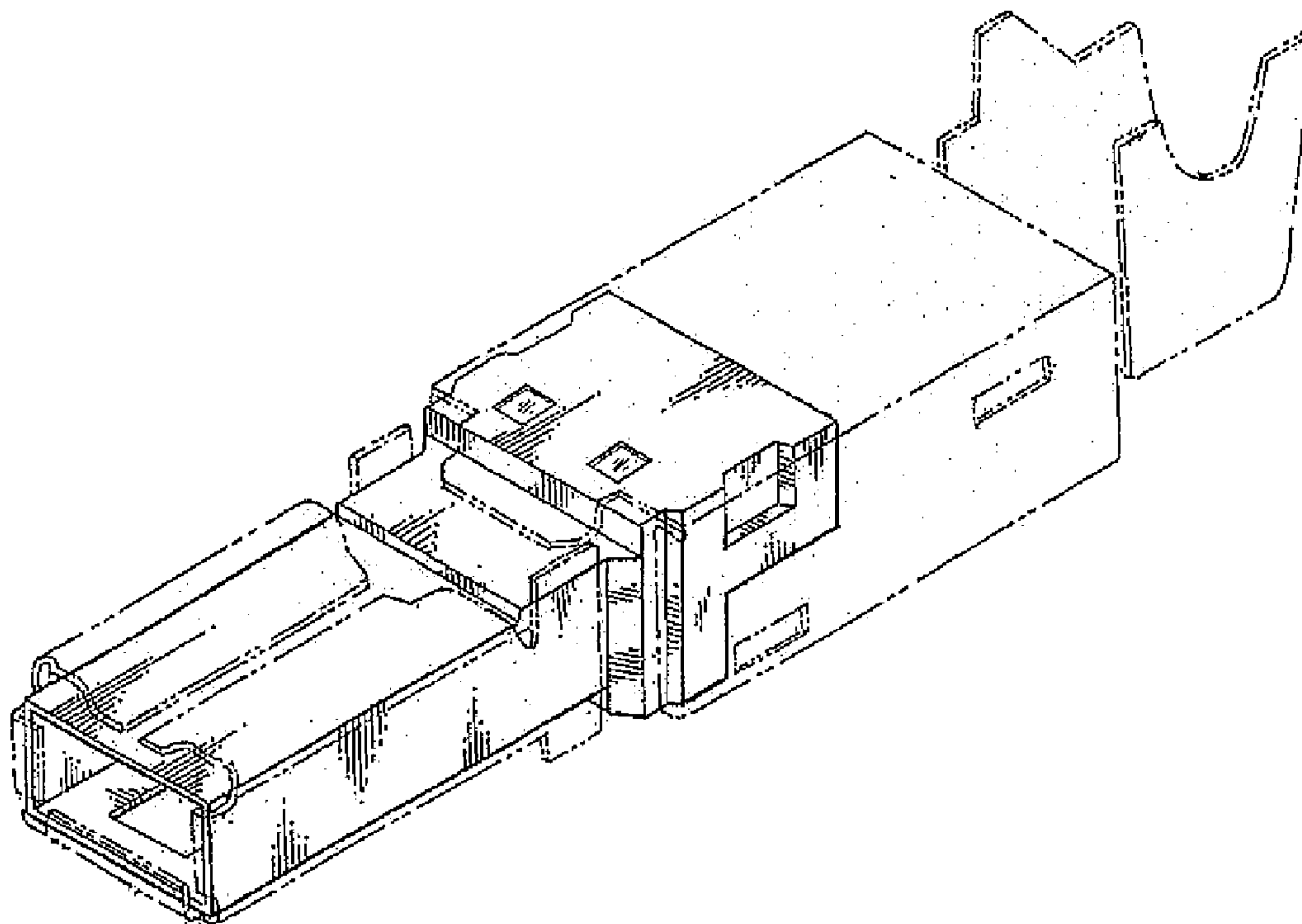
FIG. 7 is a left side elevation view thereof.

(56) **References Cited**

U.S. PATENT DOCUMENTS

D330,006	S	*	10/1992	Kamakura et al.	D13/123
5,788,521	A	*	8/1998	Milan	439/214
6,024,606	A		2/2000	Morikawa et al.		
6,312,288	B1	*	11/2001	Genz et al.	439/628
D461,769	S	*	8/2002	Kuroda et al.	D13/133
D475,970	S	*	6/2003	Li et al.	D13/133

1 Claim, 3 Drawing Sheets



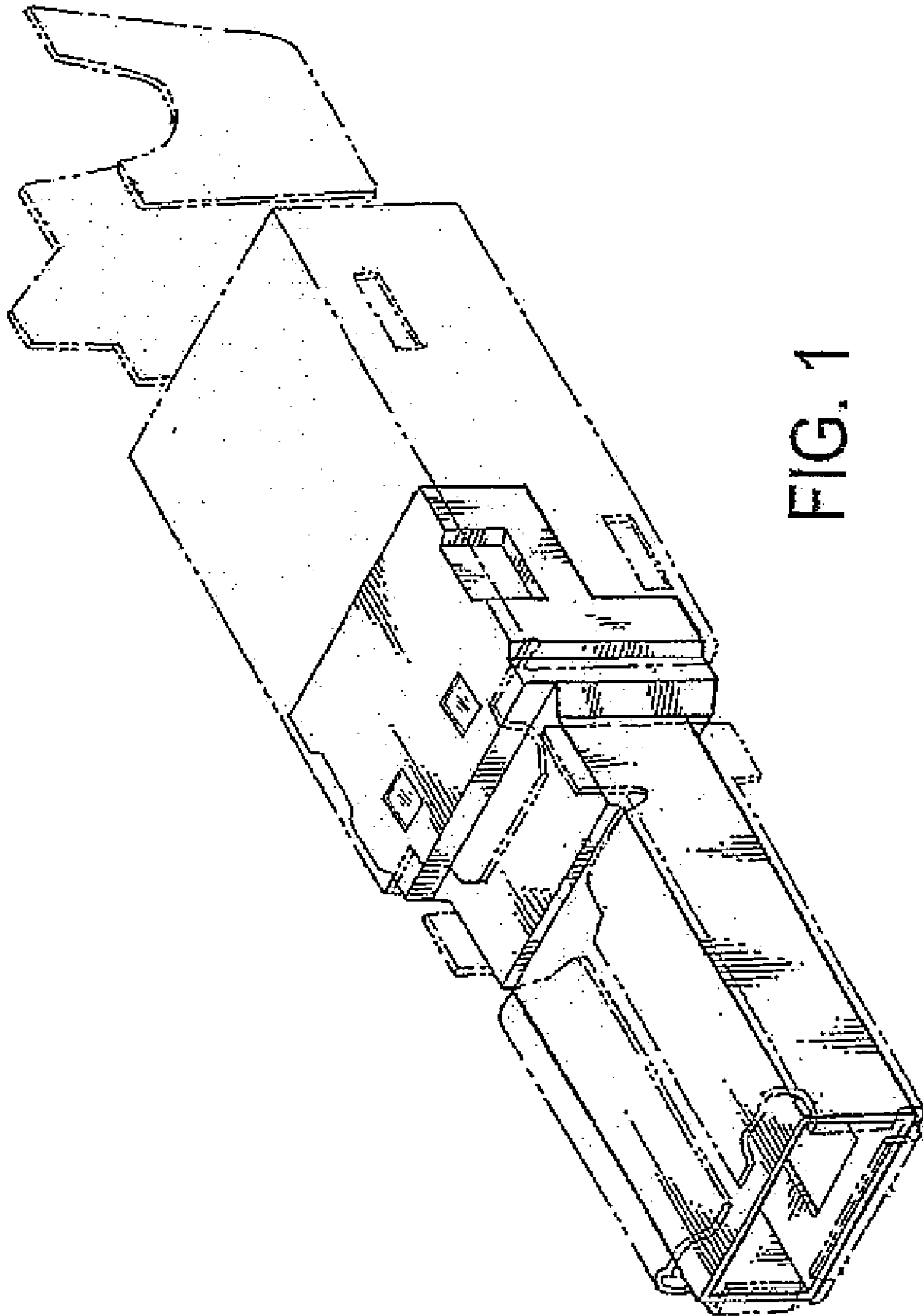


FIG. 1

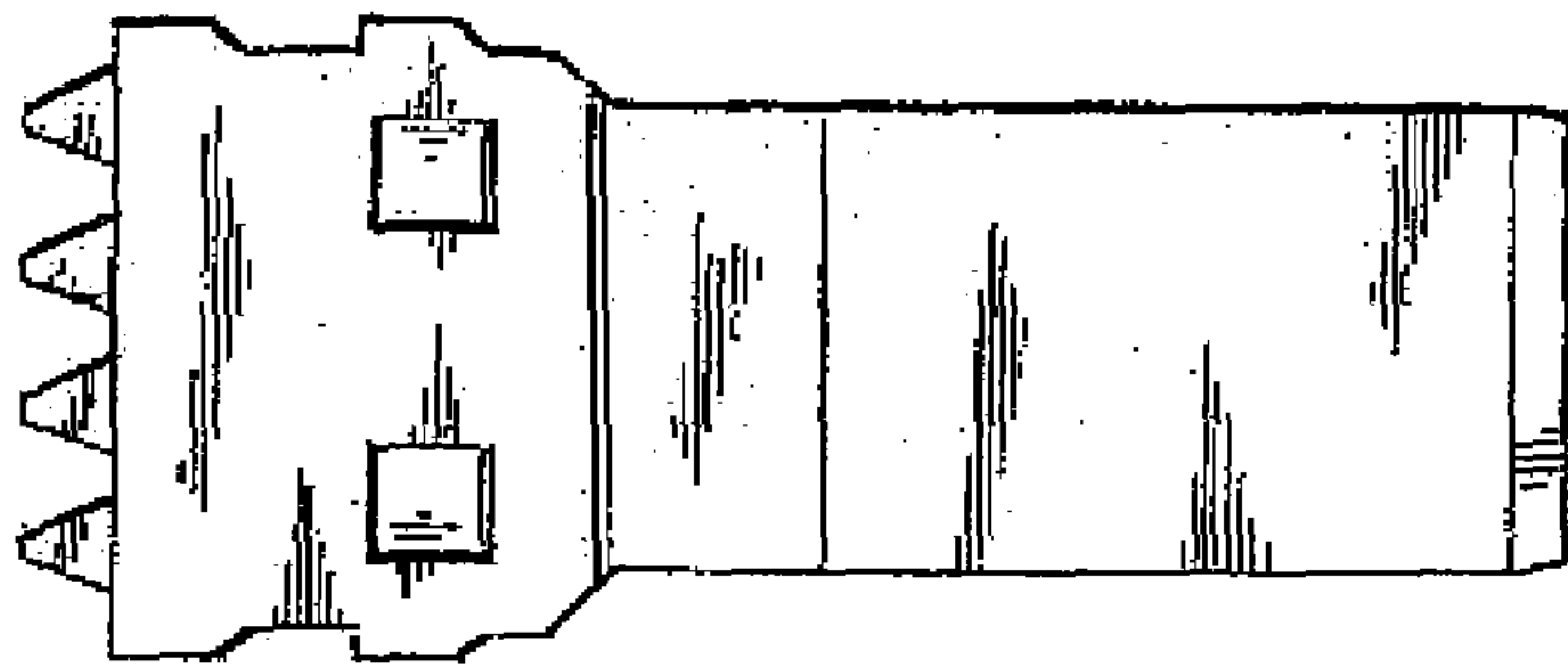


FIG. 2

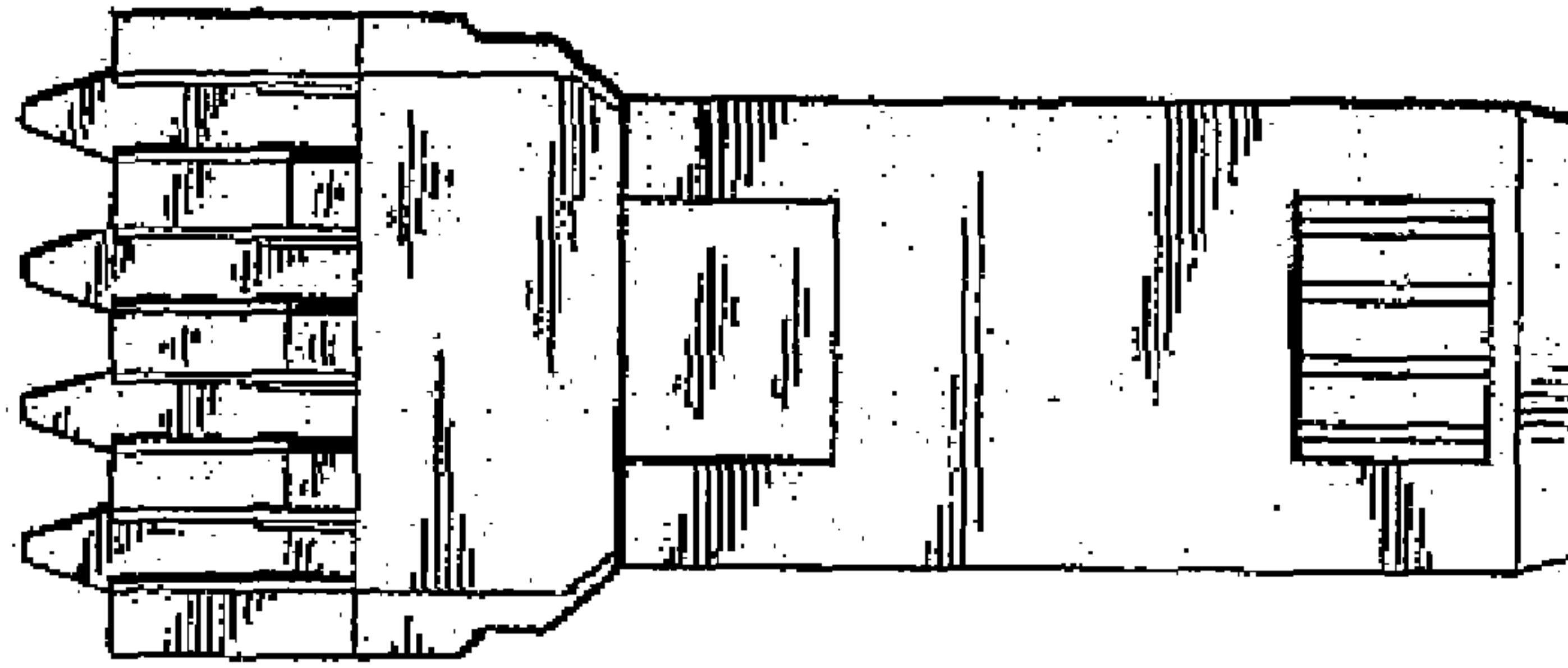


FIG. 3

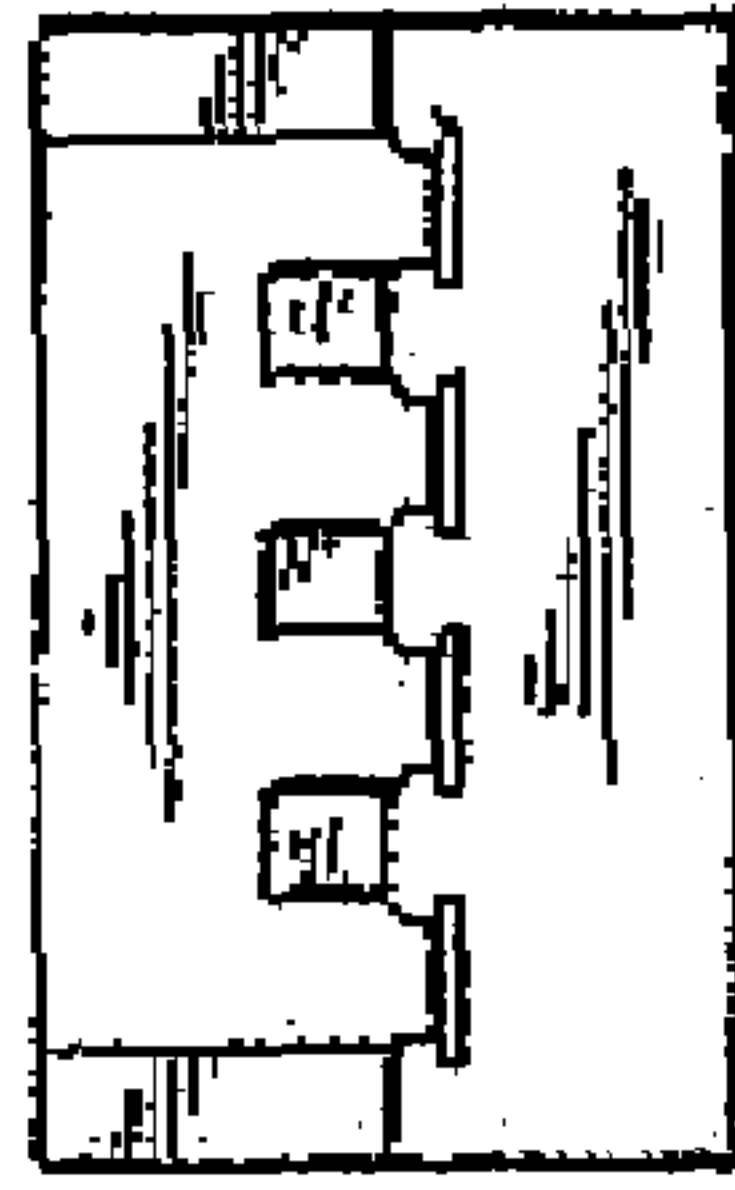


FIG. 4

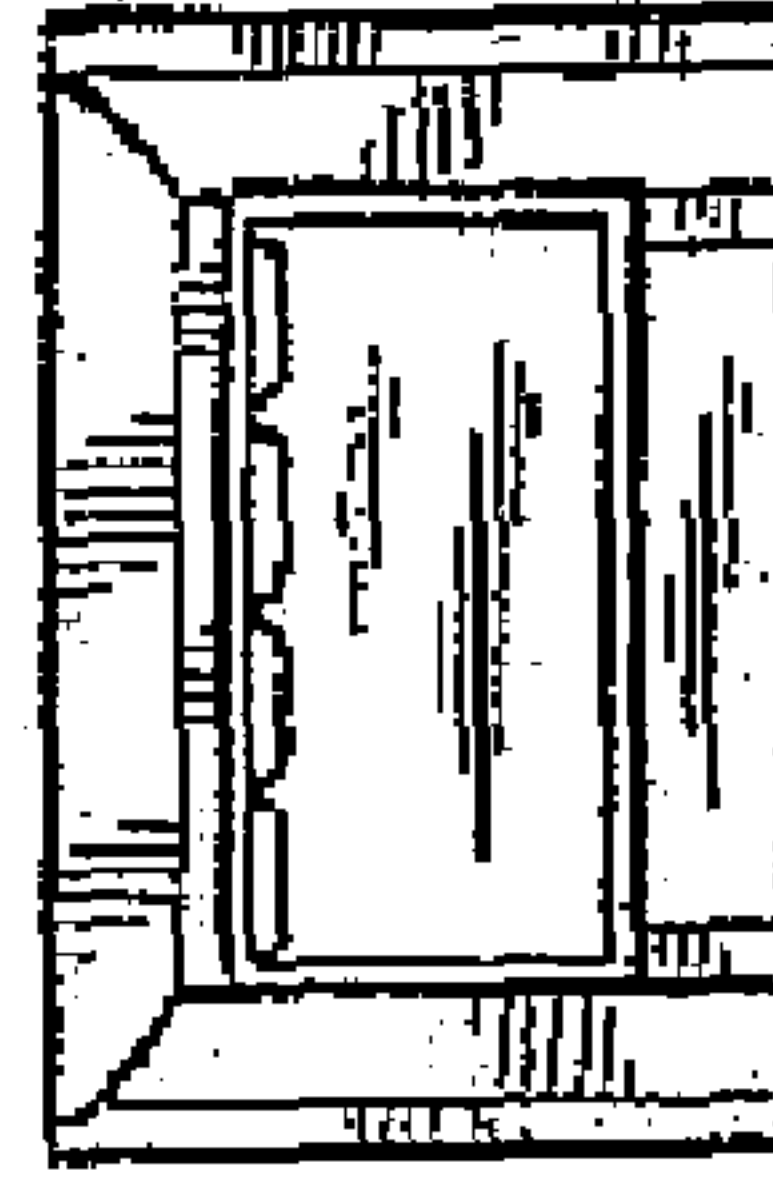


FIG. 5



FIG. 7



FIG. 6