



US00D568817S

(12) **United States Design Patent**  
**Yu**

(10) **Patent No.:** **US D568,817 S**  
(45) **Date of Patent:** **\*\* May 13, 2008**

(54) **POWER OUTLET WITH USB PORT**

D556,689 S \* 12/2007 Lee et al. .... D13/139.1

(76) Inventor: **Tsung-I Yu**, No. 209, Sec. 3, County Boulevard, Pan Chiao City, Taipei Hsien (TW)

\* cited by examiner

*Primary Examiner*—Cathron Brooks

*Assistant Examiner*—Rosemary K Tarcza

(74) *Attorney, Agent, or Firm*—Pai Patent & Trademark Law Firm; Chao-Chang David Pai

(\*\*) Term: **14 Years**

(21) Appl. No.: **29/281,580**

(57) **CLAIM**

(22) Filed: **Jun. 26, 2007**

The ornamental design for a power outlet with USB port, as shown and described.

(51) **LOC (8) Cl.** ..... **13-03**

(52) **U.S. Cl.** ..... **D13/139.7**

(58) **Field of Classification Search** ..... D13/137.1,  
D13/137.3, 137.4, 139.1, 139.4–139.8, 124,  
D13/160, 162, 164, 178, 184; 439/106–108,  
439/188, 535, 650–654

**DESCRIPTION**

See application file for complete search history.

FIG. 1 is a front perspective view of a power outlet with USB port, showing my new design;

FIG. 2 is a front view thereof;

FIG. 3 is a rear view thereof;

FIG. 4 is a left side view thereof;

FIG. 5 is a right side view thereof;

FIG. 6 is a top view thereof;

FIG. 7 is a bottom view thereof; and,

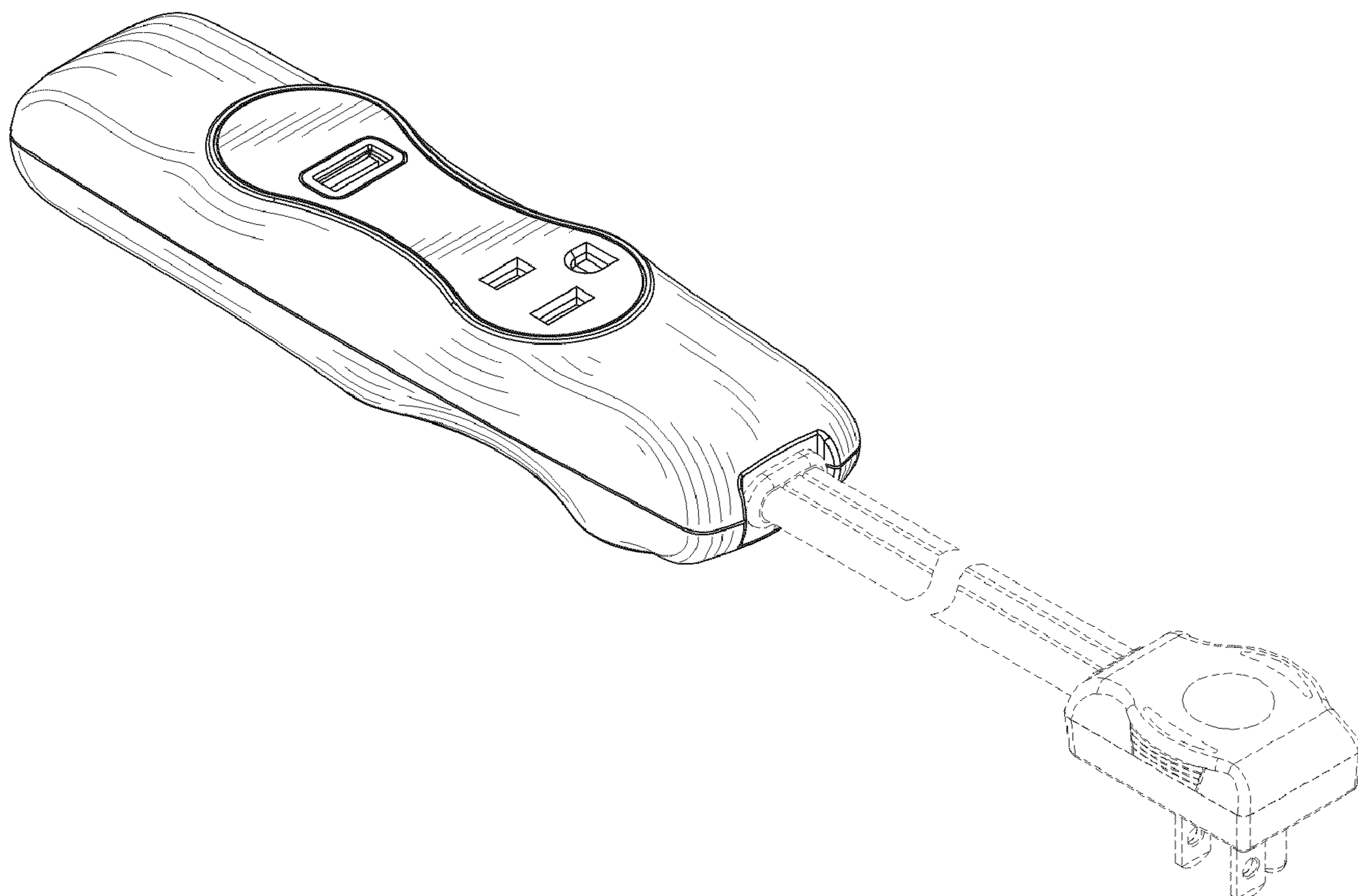
FIG. 8 is a front perspective view thereof, wherein the broken lines showing the power cord with a plug are included for illustrative purposes only and form no part of the claimed design.

(56) **References Cited**

**U.S. PATENT DOCUMENTS**

5,429,518	A *	7/1995	Chen	.....	439/188
D439,562	S *	3/2001	Veino et al.	.....	D13/139.8
6,302,743	B1 *	10/2001	Chiu et al.	.....	439/652
D489,685	S *	5/2004	Yu	.....	D13/139.8
D490,777	S *	6/2004	Yu	.....	D13/139.8
6,940,015	B2 *	9/2005	Fang	.....	174/53
D514,067	S *	1/2006	Lee	.....	D13/137.2
D521,452	S *	5/2006	Mori et al.	.....	D13/139.8
D532,377	S *	11/2006	Blake et al.	.....	D13/139.6

**1 Claim, 5 Drawing Sheets**



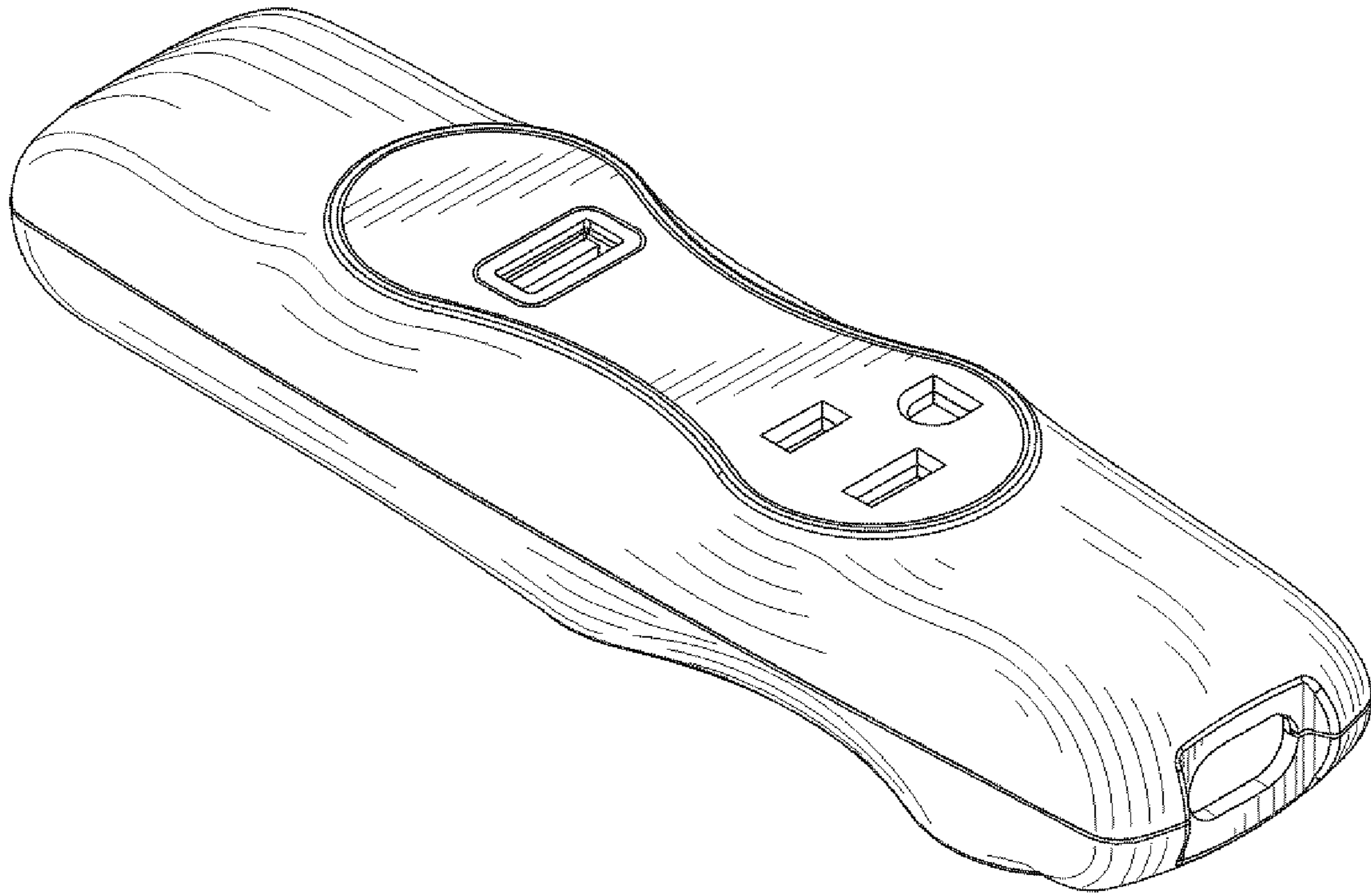


FIG. 1

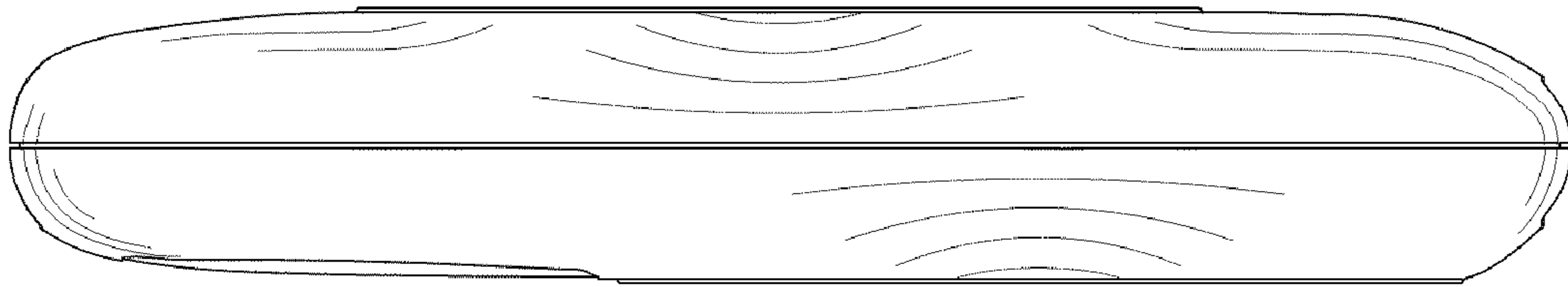


FIG. 2

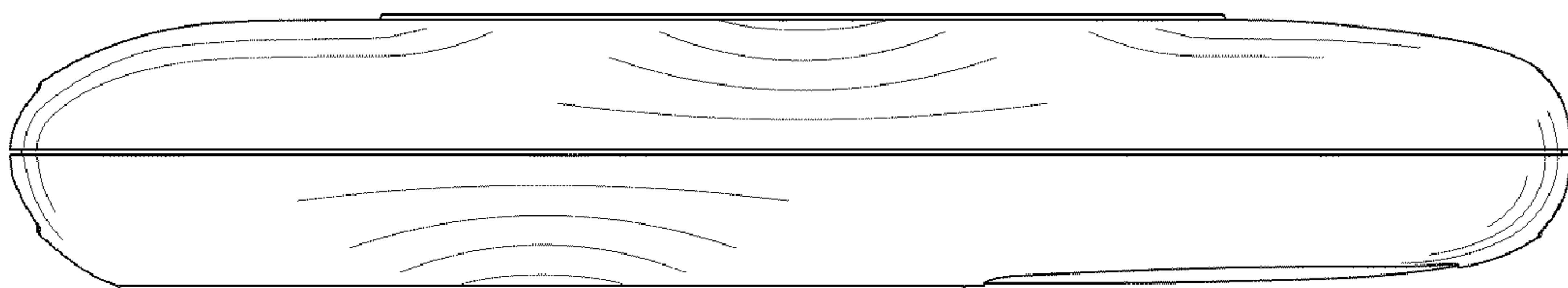


FIG. 3

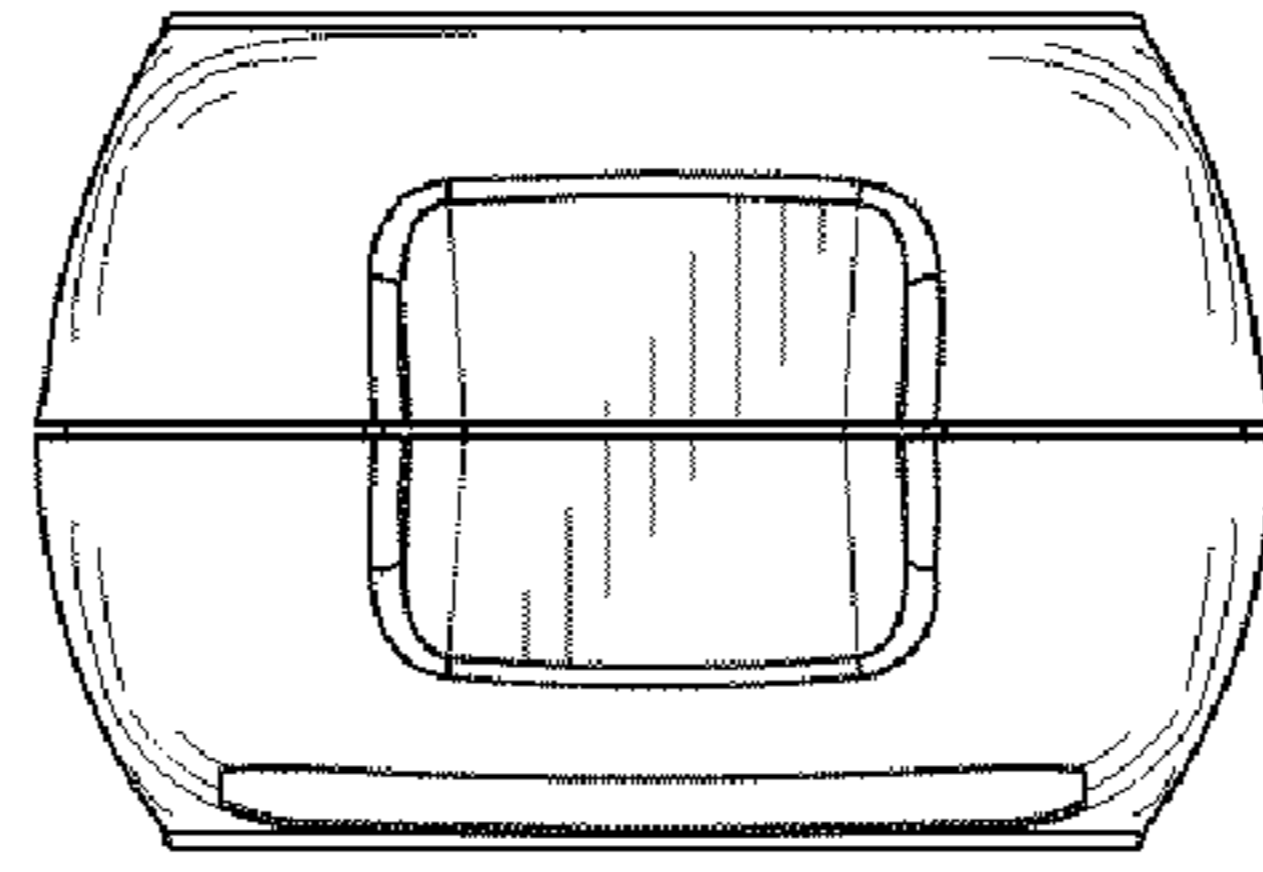


FIG. 4

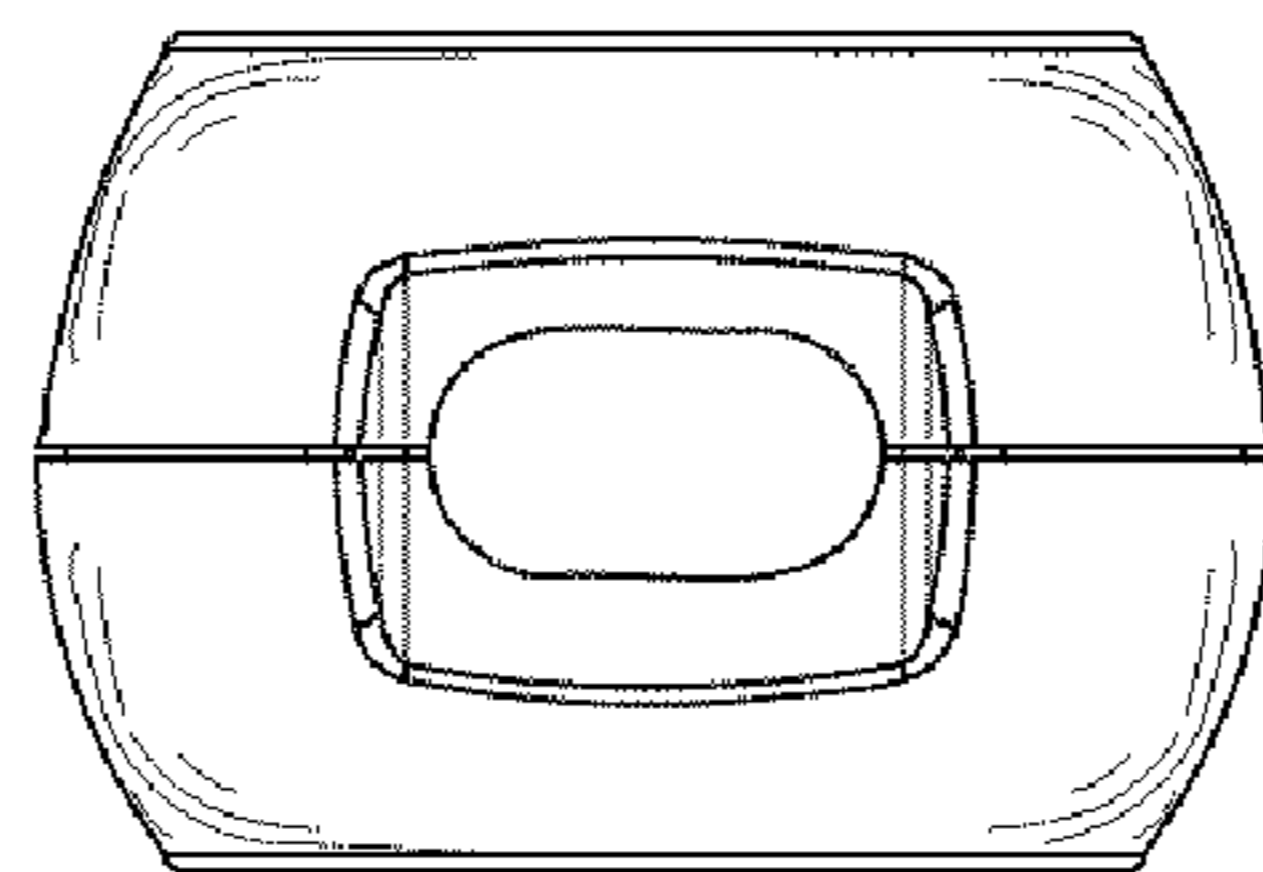


FIG. 5

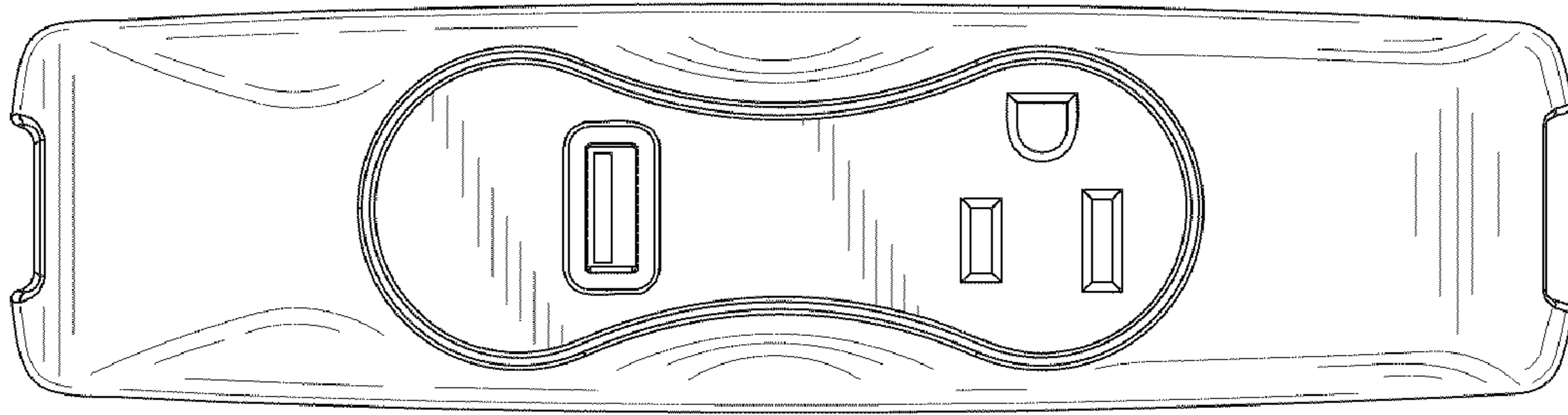


FIG. 6

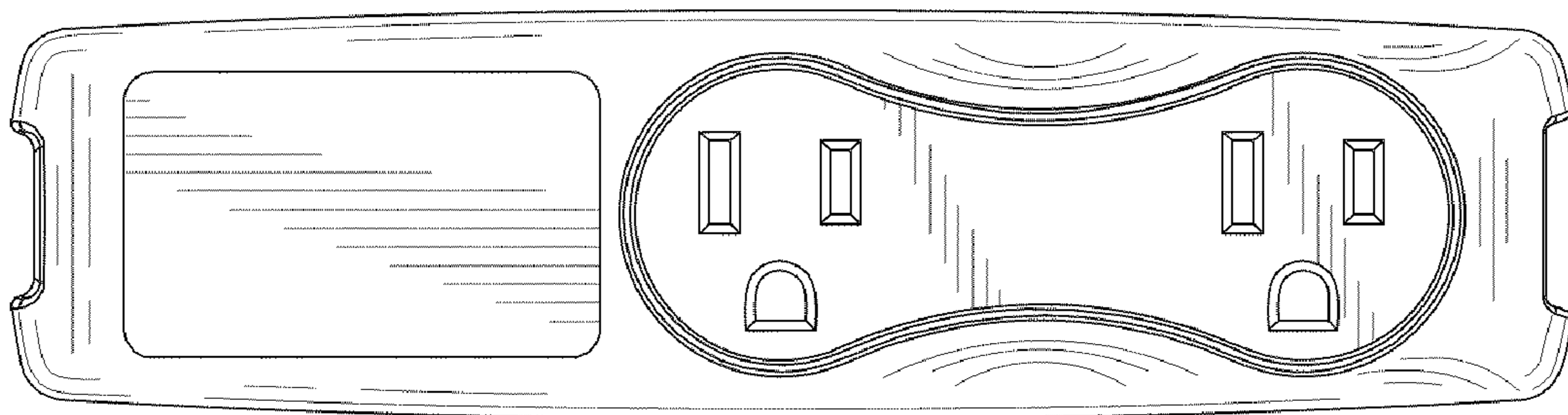


FIG. 7



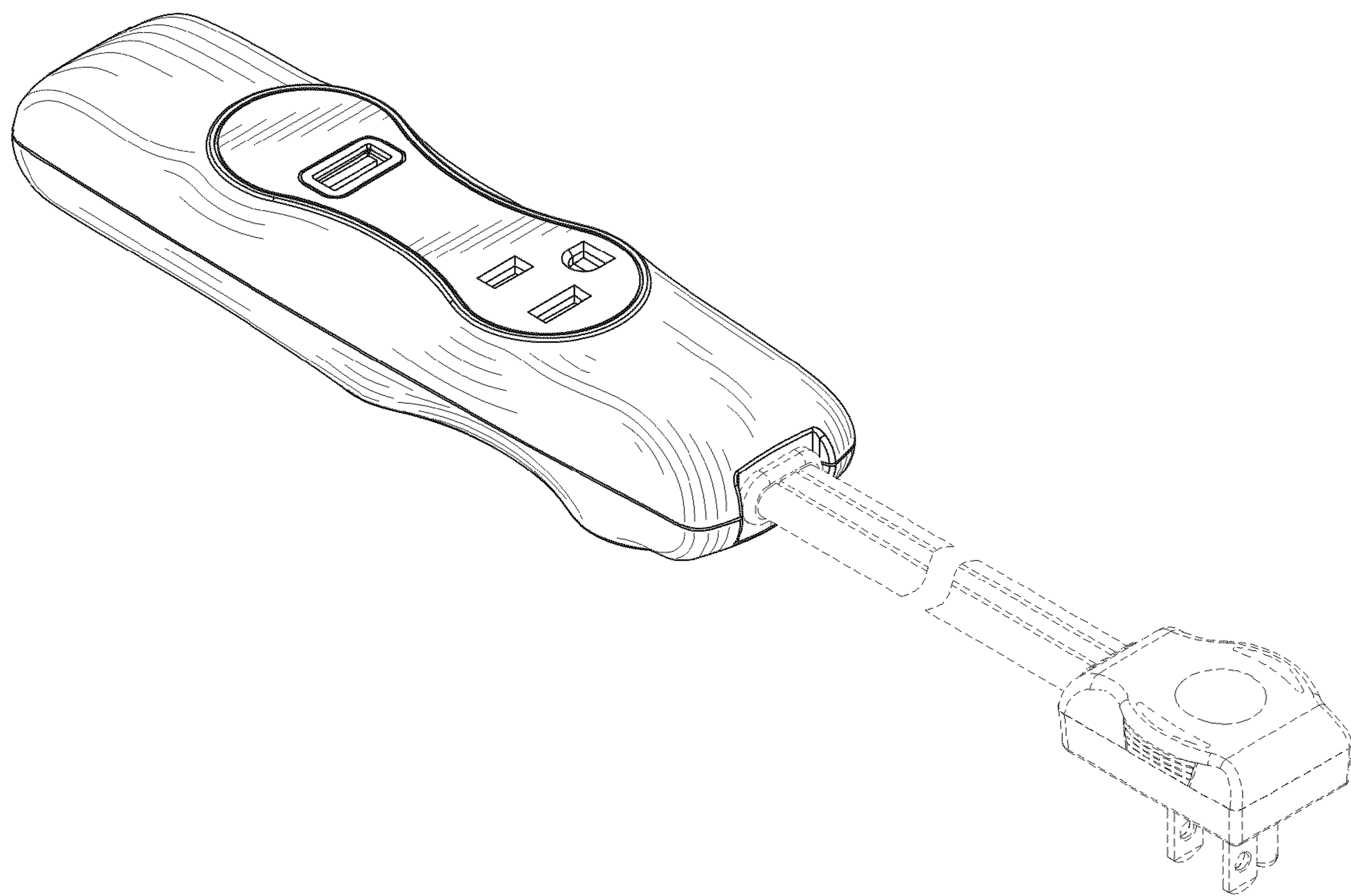


FIG. 8