



US00D568815S

(12) **United States Design Patent**  
**Chiang et al.**

(10) **Patent No.:** **US D568,815 S**

(45) **Date of Patent:** **\*\* May 13, 2008**

(54) **CONNECTOR CONTACT**

(75) Inventors: **Shu-man Chiang**, Tu-Cheng (TW);  
**Mei-chuan Yang**, Tu-Cheng (TW)

(73) Assignee: **Cheng Uei Precision Industry Co., Ltd.**, Taipei Hsien (TW)

(\*\*) Term: **14 Years**

(21) Appl. No.: **29/290,395**

(22) Filed: **Nov. 30, 2007**

(51) **LOC (8) Cl.** ..... **13-03**

(52) **U.S. Cl.** ..... **D13/133; D13/154**

(58) **Field of Classification Search** ..... D13/133,  
D13/146-147, 154, 184, 199; 439/395, 633,  
439/660, 839, 862, 849-850, 870, 877, 884-885,  
439/887-891

See application file for complete search history.

(56) **References Cited**

**U.S. PATENT DOCUMENTS**

6,450,844 B1 \* 9/2002 Mizumura et al. .... 439/884  
D464,322 S \* 10/2002 Hiramoto et al. .... D13/154  
D517,019 S \* 3/2006 Yao et al. .... D13/154

7,150,632 B2 \* 12/2006 Lee et al. .... 439/66  
D555,092 S \* 11/2007 Li et al. .... D13/133  
2003/0100227 A1 \* 5/2003 Yeh ..... 439/668

\* cited by examiner

*Primary Examiner*—Daniel Bui

(74) *Attorney, Agent, or Firm*—Rosenberg, Klein & Lee

(57) **CLAIM**

The ornamental design for a connector contact, as shown and described.

**DESCRIPTION**

FIG. 1 is a perspective view of a connector contact showing our new design;

FIG. 2 is a front elevational view thereof;

FIG. 3 is a rear elevational view thereof;

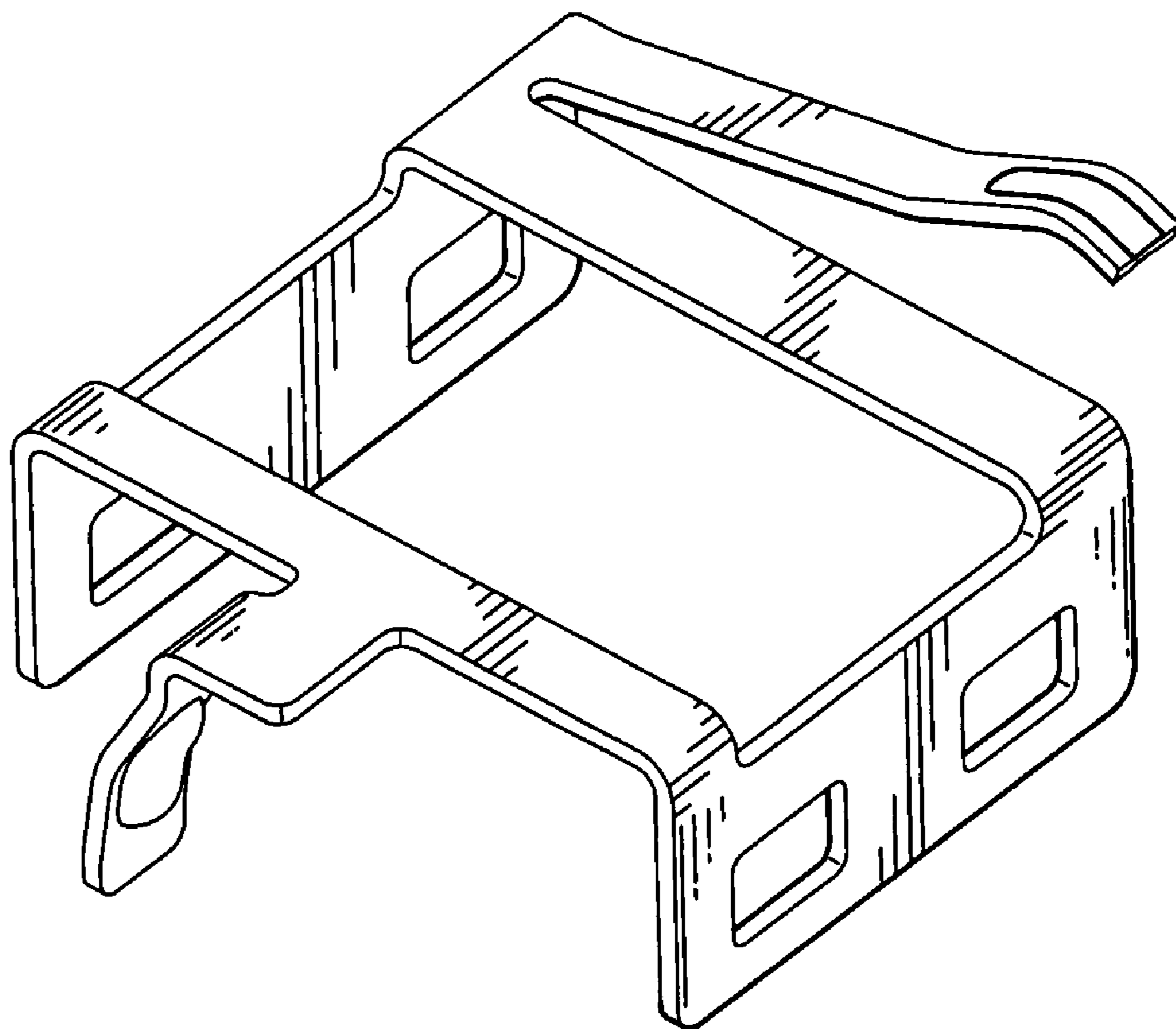
FIG. 4 is a left side elevational view thereof;

FIG. 5 is a right side elevational view thereof;

FIG. 6 is a top plan view thereof; and,

FIG. 7 is a bottom plan view thereof.

**1 Claim, 7 Drawing Sheets**



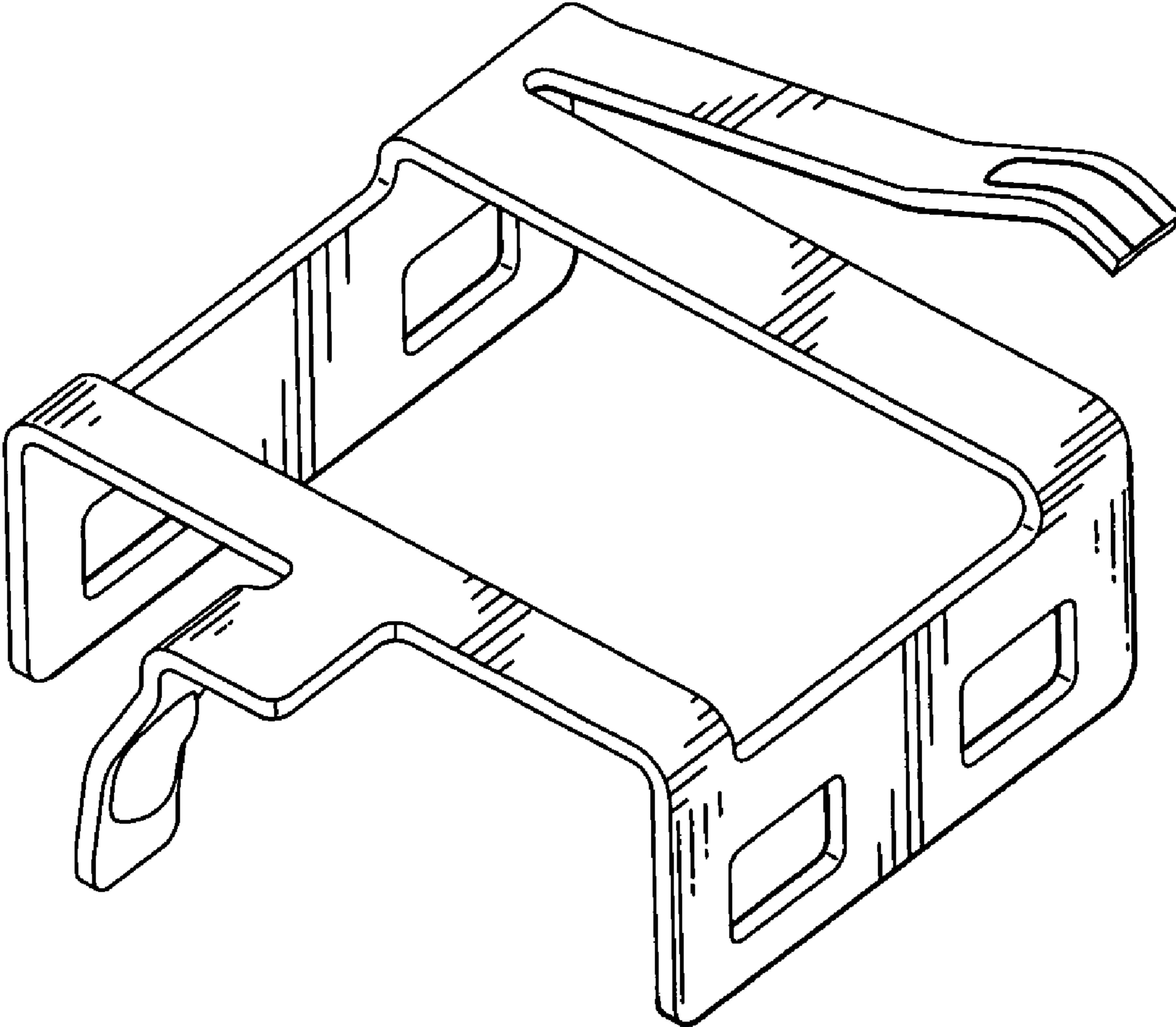


FIG. 1

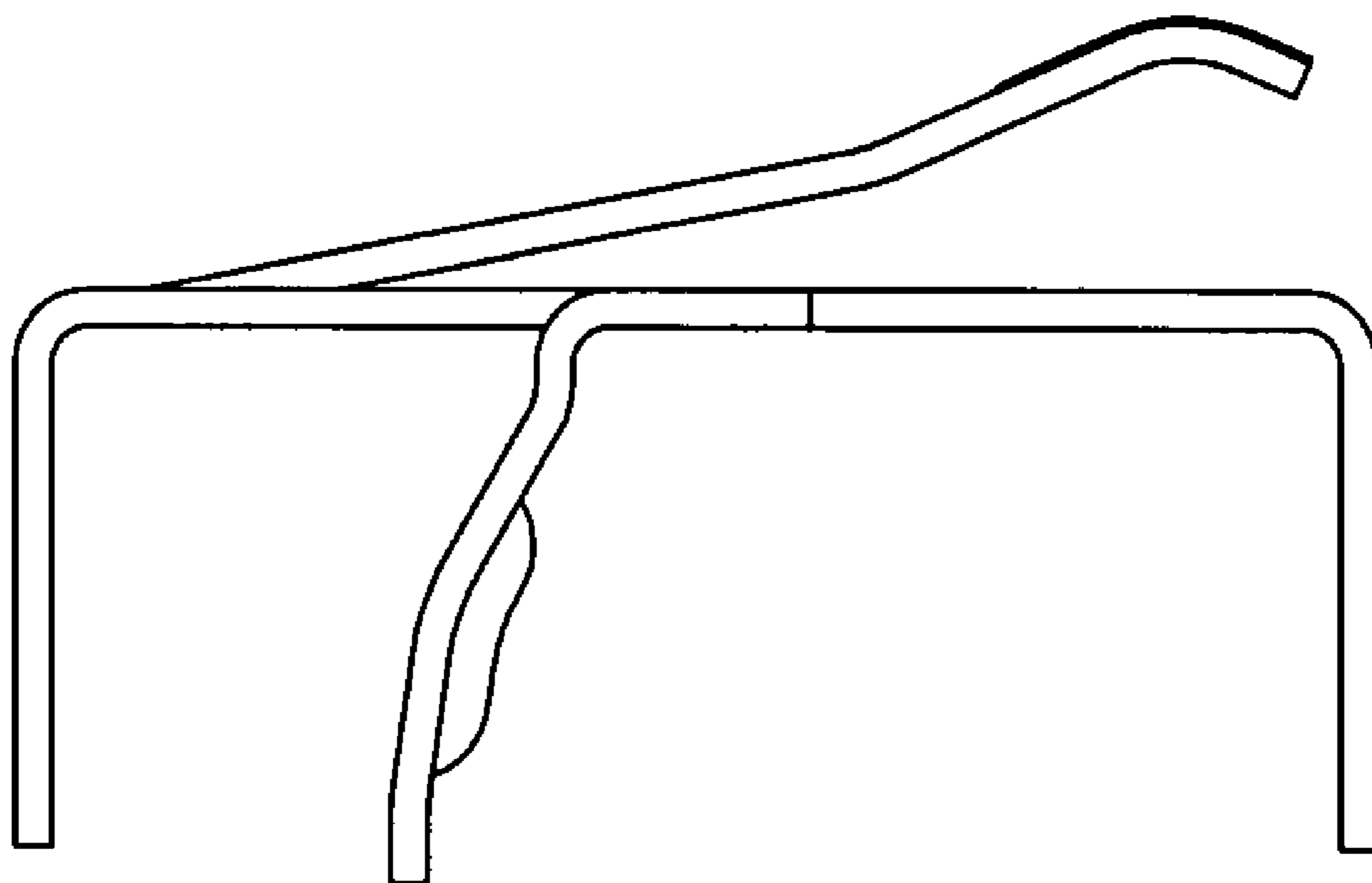


FIG. 2

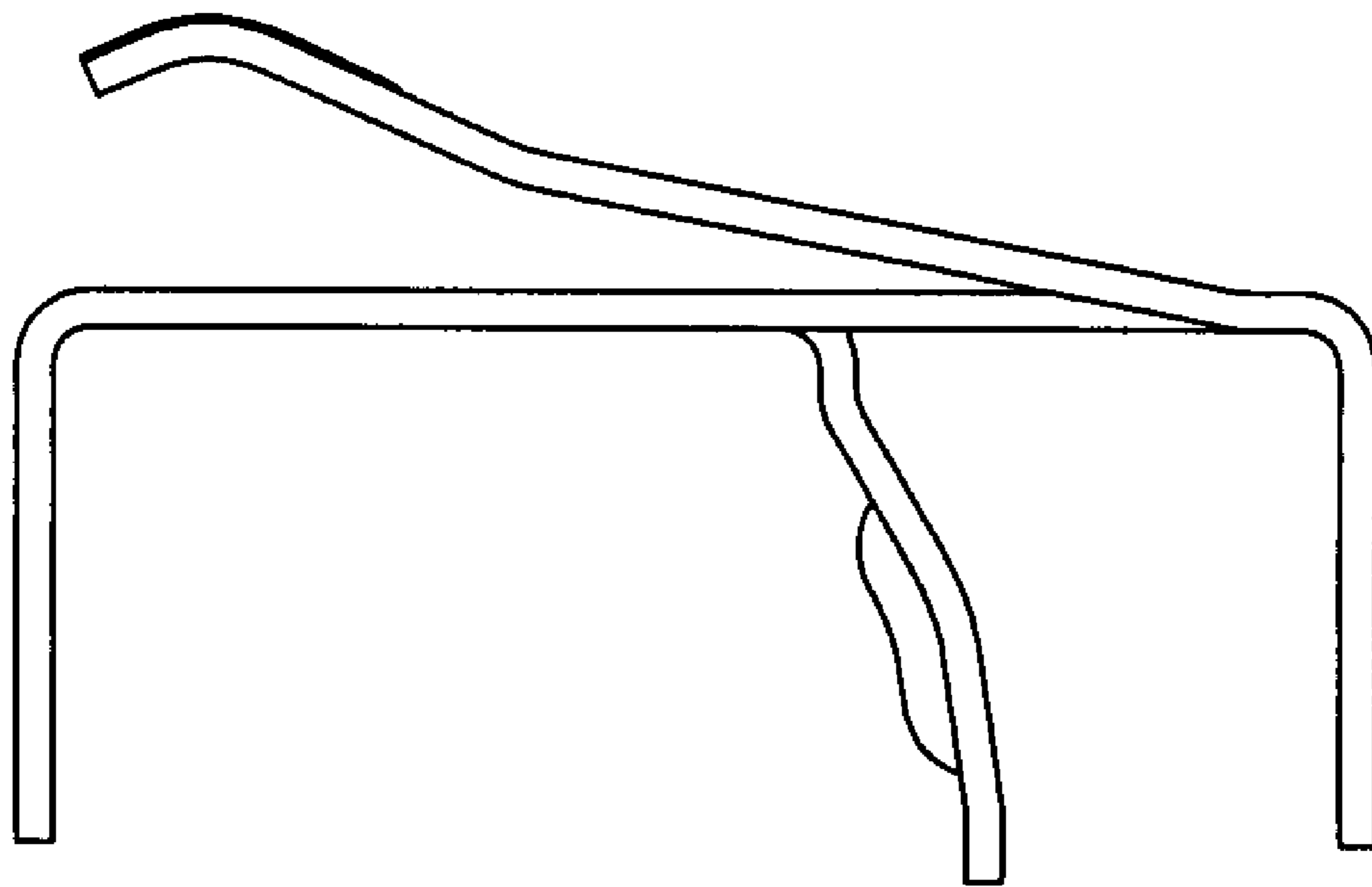


FIG. 3

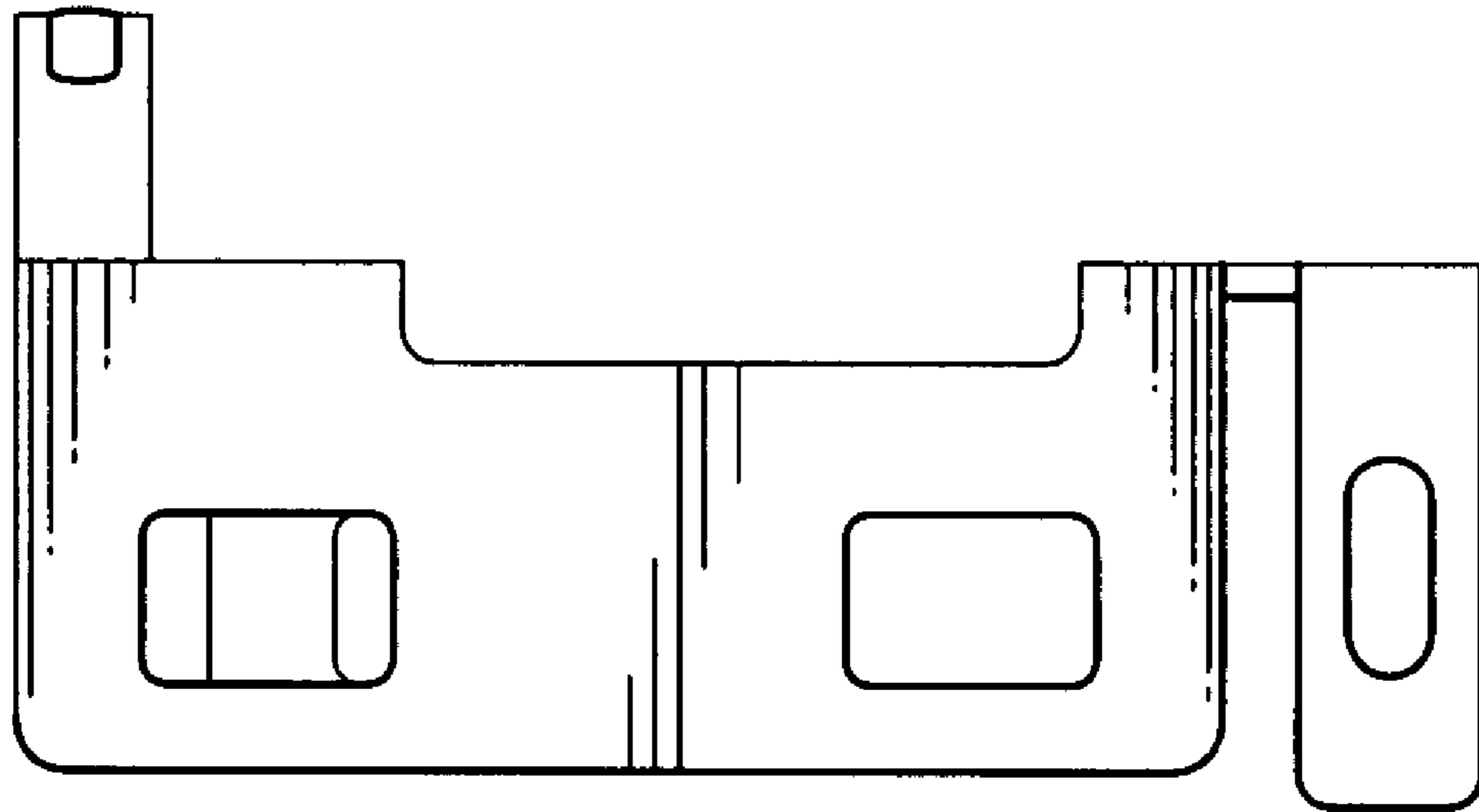


FIG. 4

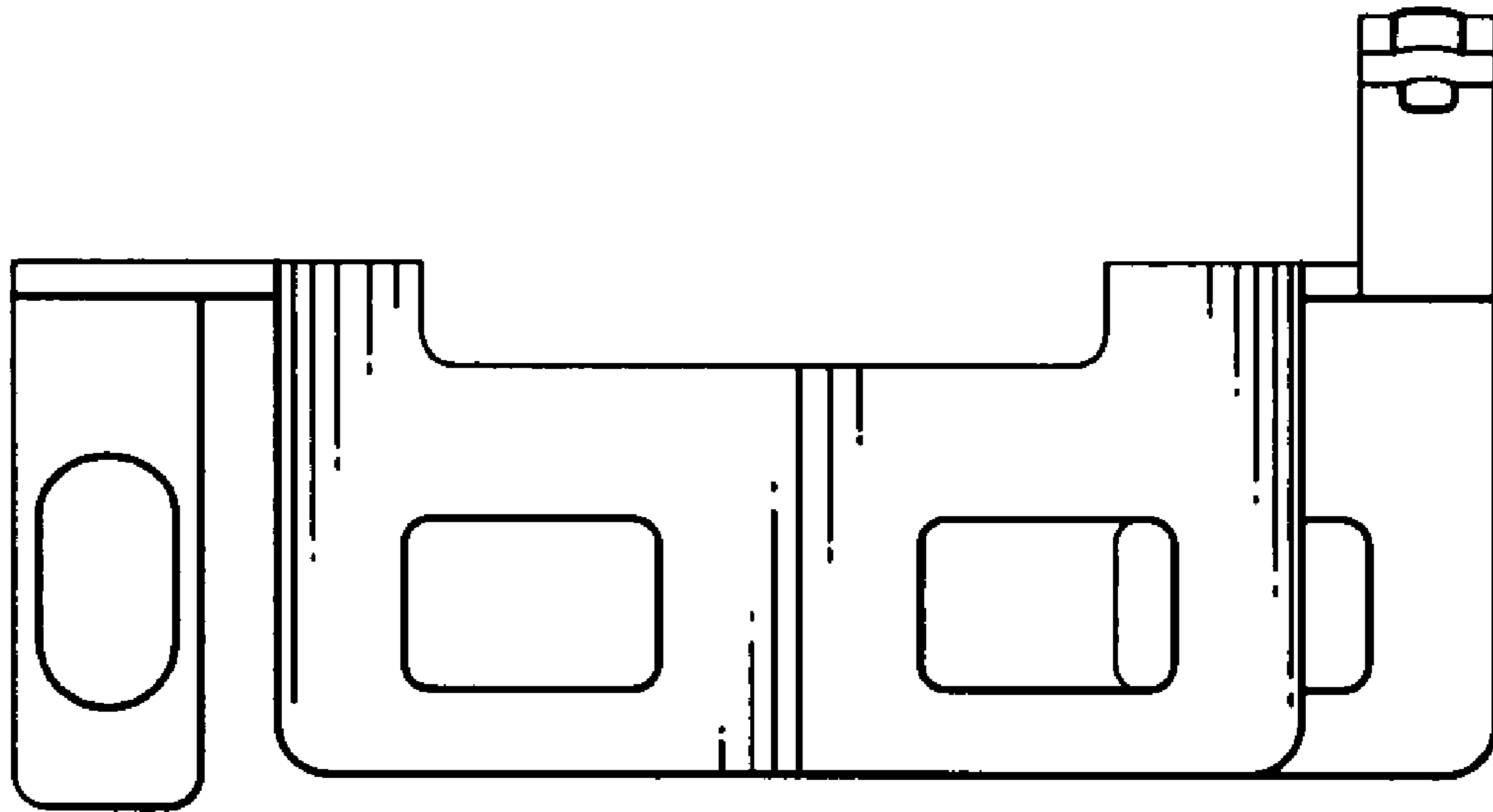


FIG. 5

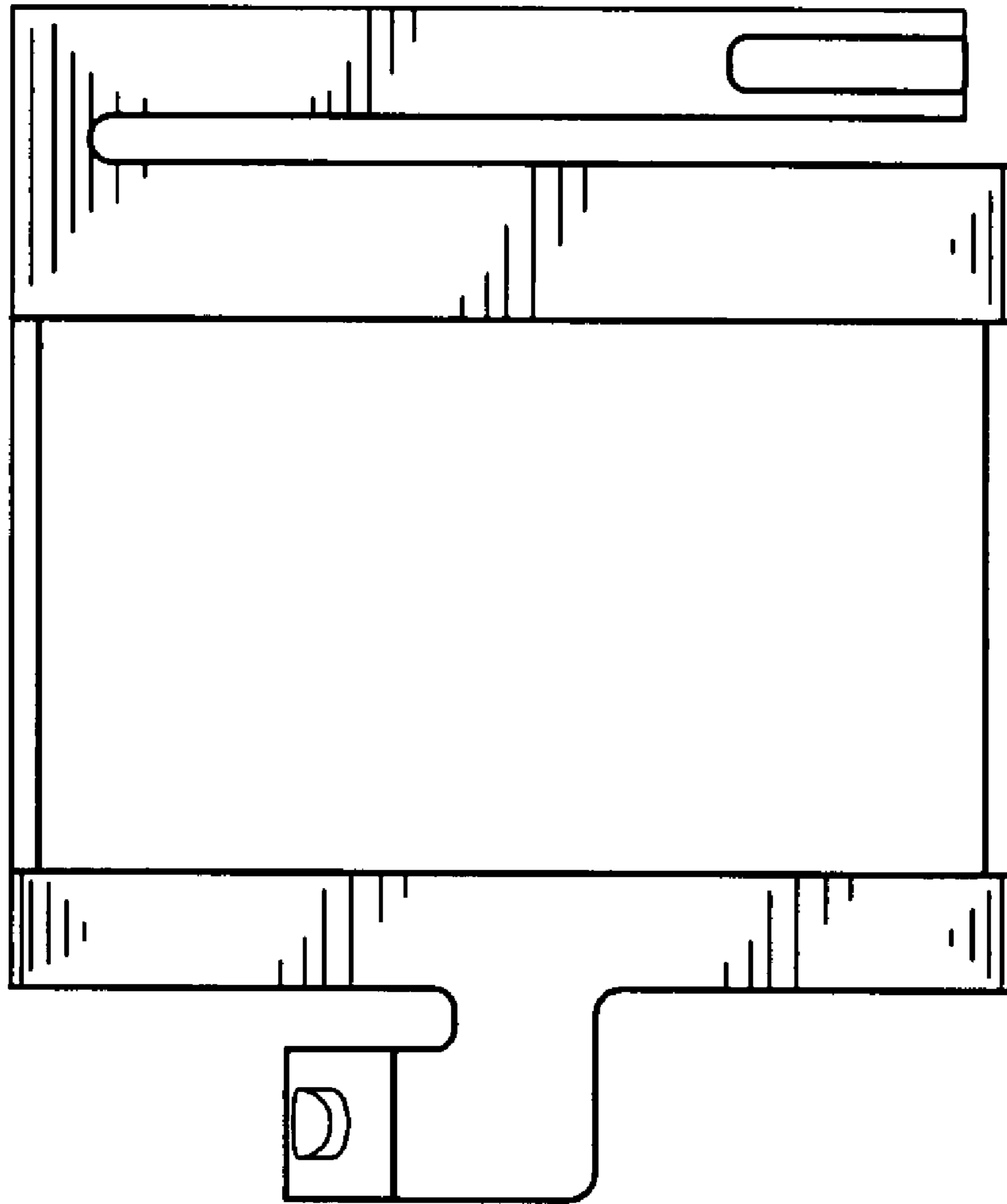


FIG. 6

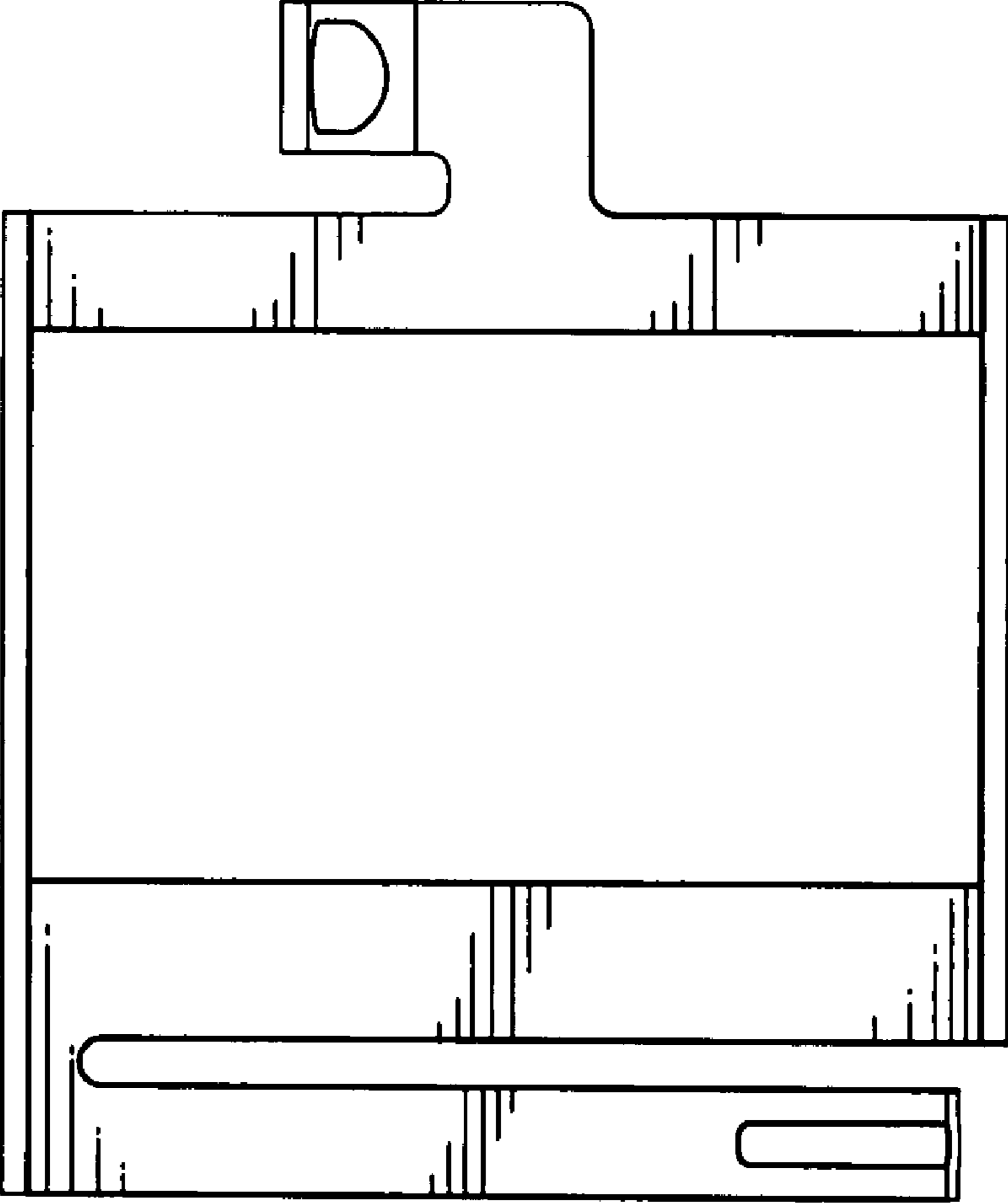


FIG. 7