



US00D568811S

(12) **United States Design Patent**  
**Andersson et al.**

(10) **Patent No.:** **US D568,811 S**

(45) **Date of Patent:** **\*\* May 13, 2008**

(54) **MOTOR**

(75) Inventors: **Jan Andersson**, Erlangen (DE); **Egbert Dargel**, Berlin (DE); **Michael Handwerker**, Bischofsheim (DE); **Christoph Nöth**, Burglauer (DE)

(73) Assignee: **Siemens Aktiengesellschaft**, München (DE)

(\*\*) Term: **14 Years**

(21) Appl. No.: **29/238,928**

(22) Filed: **Sep. 22, 2005**

(30) **Foreign Application Priority Data**

Mar. 22, 2005 (EP) ..... 000314612

(51) **LOC (8) Cl.** ..... **13-02**

(52) **U.S. Cl.** ..... **D13/114; D13/112**

(58) **Field of Classification Search** ..... D13/112, D13/113, 114, 118, 122, 199; D15/5; 310/10, 310/40 R, 51, 58, 85, 89, 91, 236, 239, 254  
See application file for complete search history.

(56) **References Cited**

**U.S. PATENT DOCUMENTS**

- D136,504 S \* 10/1943 Heintz ..... D13/113
- D137,665 S \* 4/1944 Heintz ..... D13/113
- D173,758 S \* 12/1954 Kerr ..... D13/116
- D205,662 S \* 9/1966 Bluemink ..... D13/112

- D207,401 S \* 4/1967 Andrews et al. .... D13/114
- D236,005 S \* 7/1975 Baumann ..... D13/114
- D236,985 S \* 9/1975 Baumann ..... D13/114
- D275,198 S \* 8/1984 Yokota et al. .... D15/1
- D310,816 S \* 9/1990 Sawato et al. .... D13/112
- D314,550 S \* 2/1991 Sieber ..... D13/114
- D336,890 S \* 6/1993 Hirose et al. .... D13/112
- D347,619 S \* 6/1994 VanHorn et al. .... D13/113
- 6,215,214 B1 \* 4/2001 Fisher et al. .... 310/89

\* cited by examiner

*Primary Examiner*—Prabhakar Deshmukh

*Assistant Examiner*—Derrick Holland

(74) *Attorney, Agent, or Firm*—Henry M. Feiereisen; Ursula B. Day

(57) **CLAIM**

The ornamental design for a motor, as shown and described.

**DESCRIPTION**

FIG. 1 is a front elevational view of a motor showing my new design;

FIG. 2 is a rear elevational view thereof;

FIG. 3 is a top plan view thereof;

FIG. 4 is bottom plan view thereof;

FIG. 5 is a right side elevational view thereof;

FIG. 6 is a left side elevational view thereof; and,

FIG. 7 is perspective view thereof.

**1 Claim, 7 Drawing Sheets**

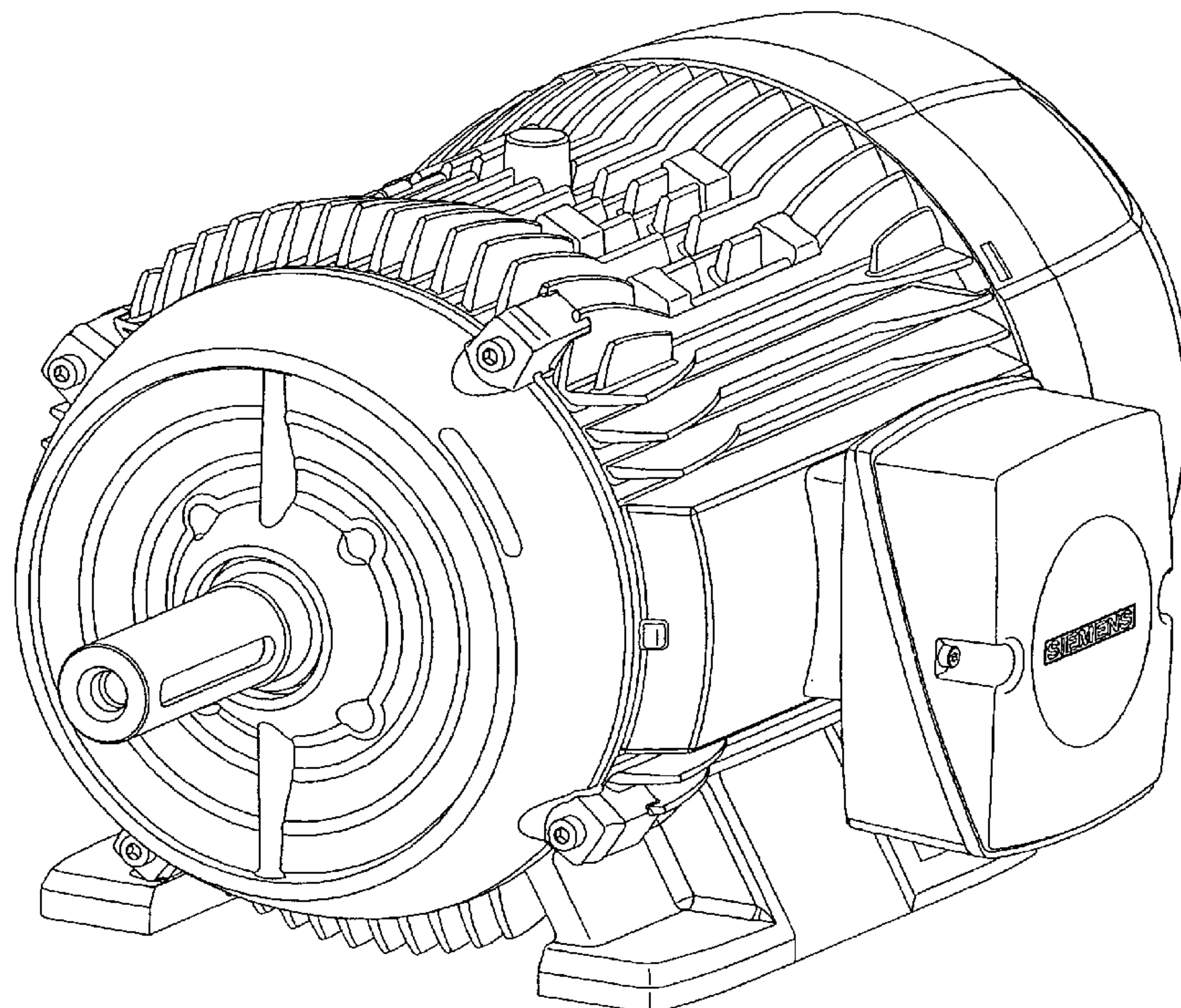


FIG 1

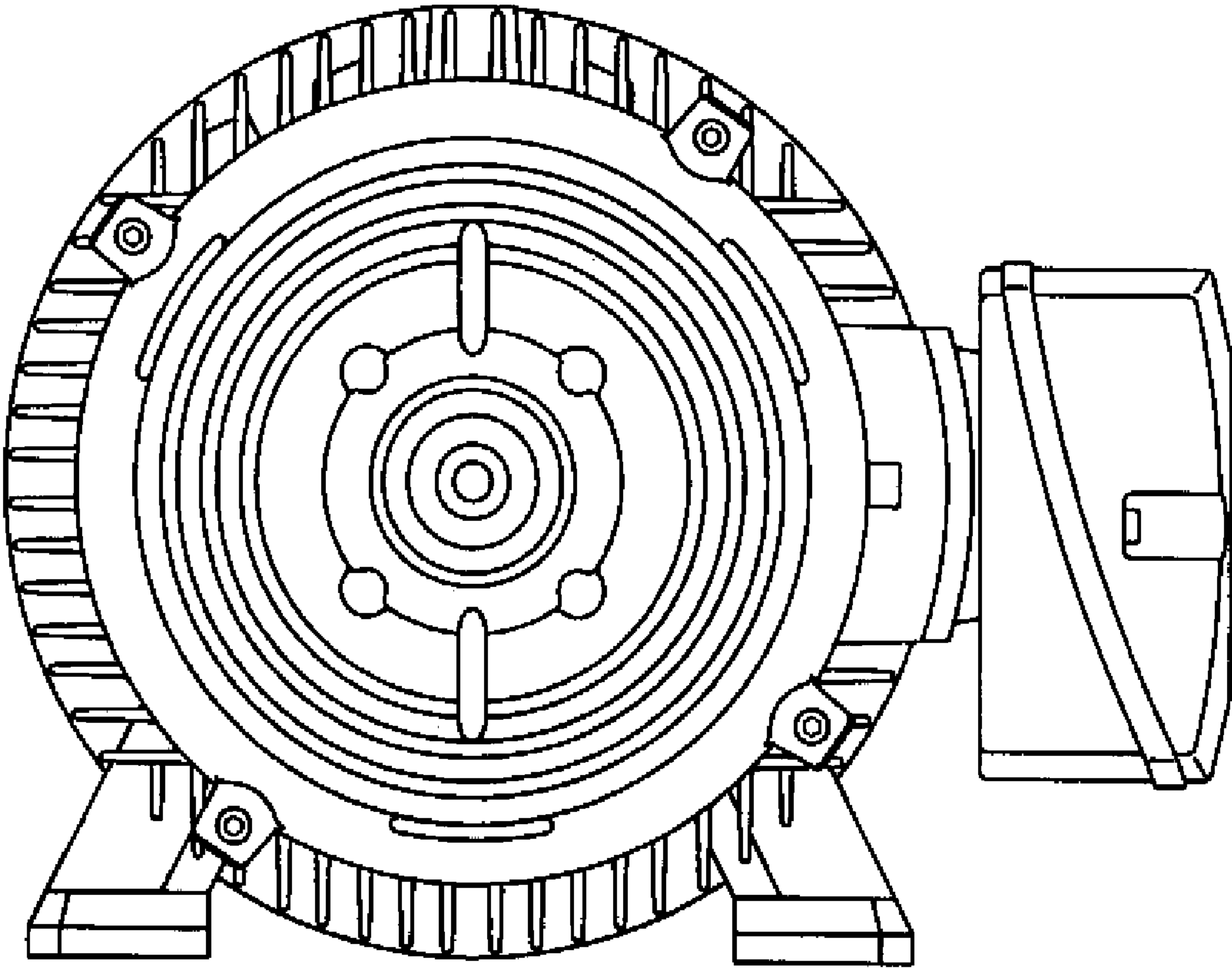


FIG 2

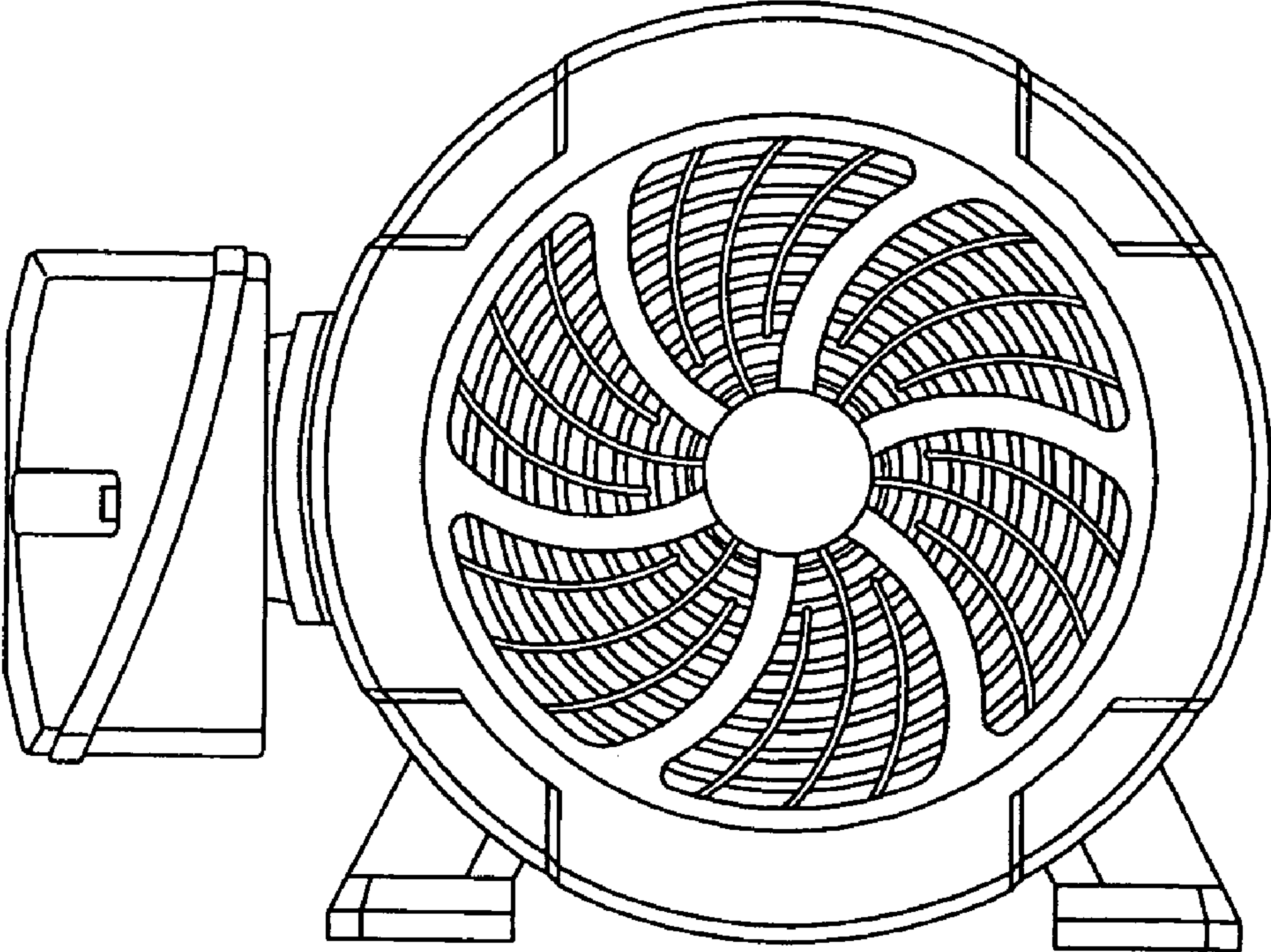


FIG 3

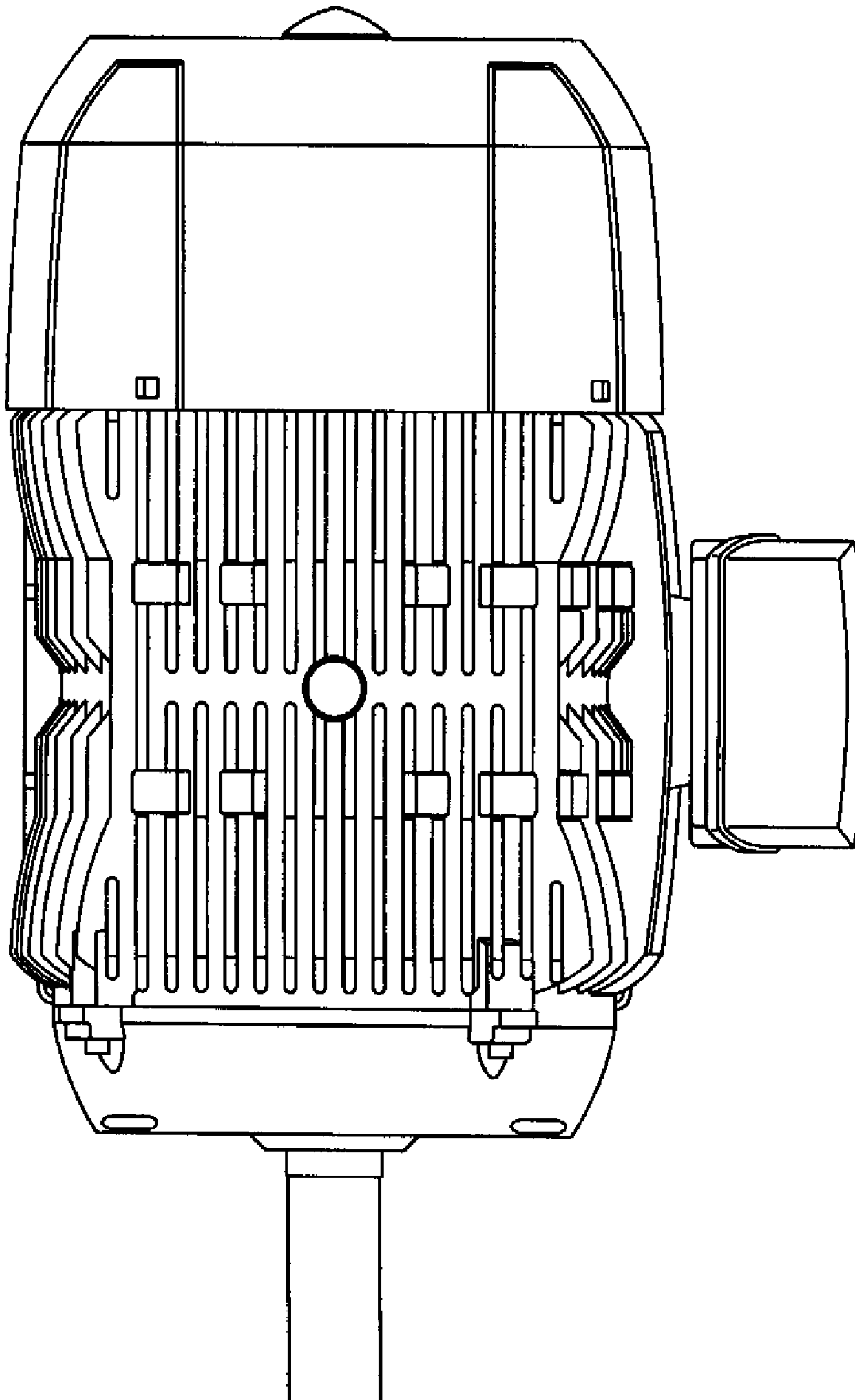


FIG 4

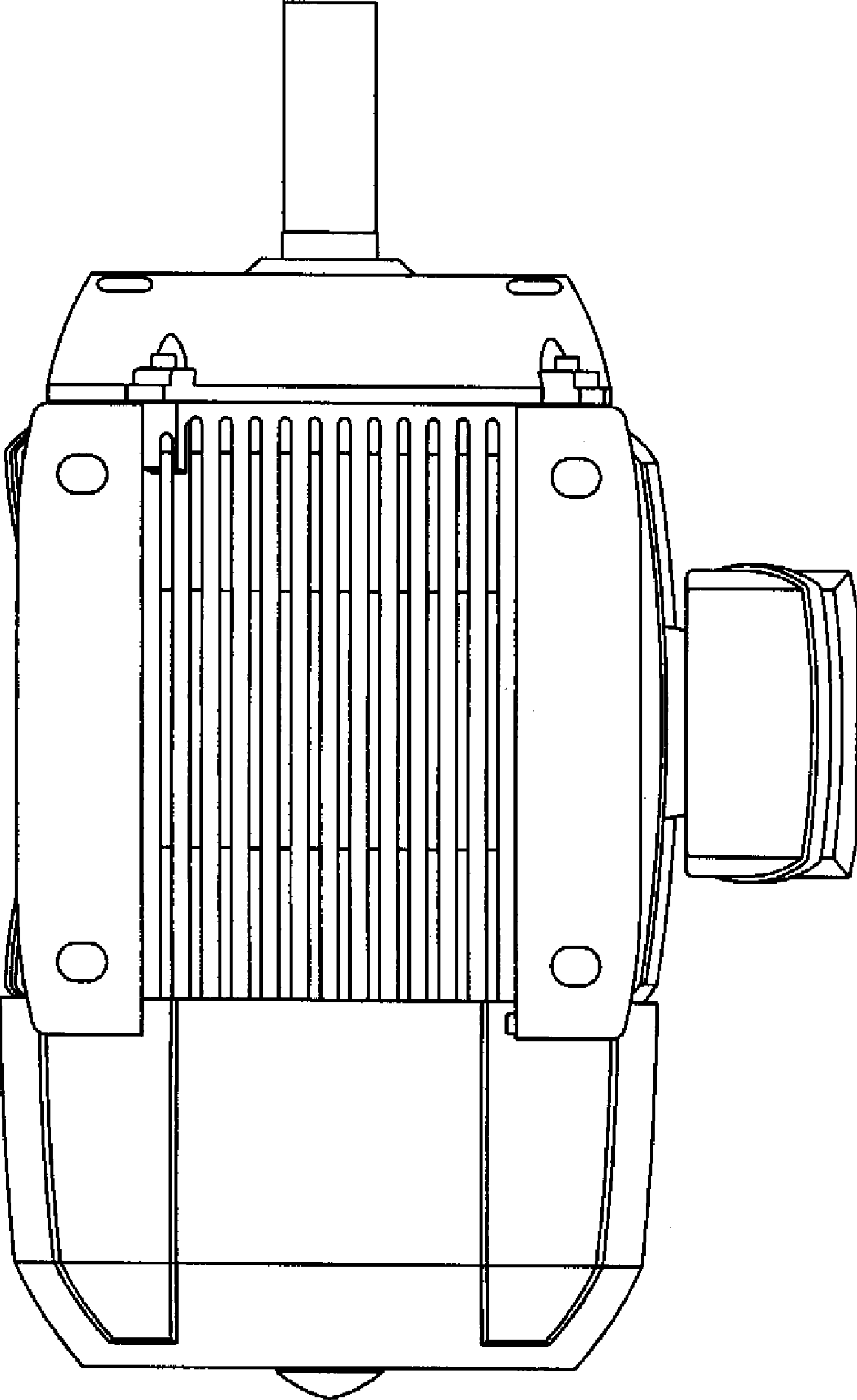




FIG 5

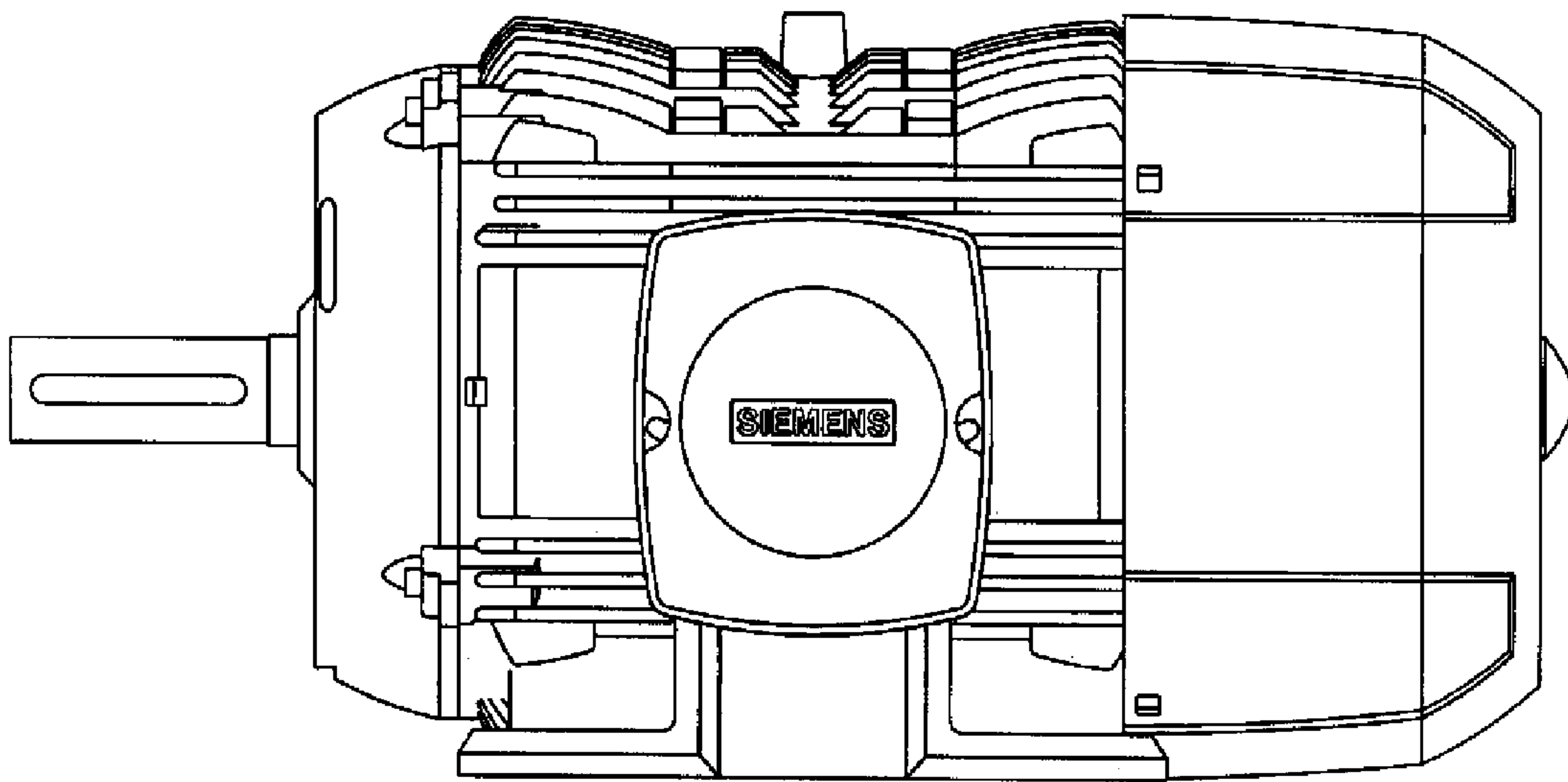


FIG 6

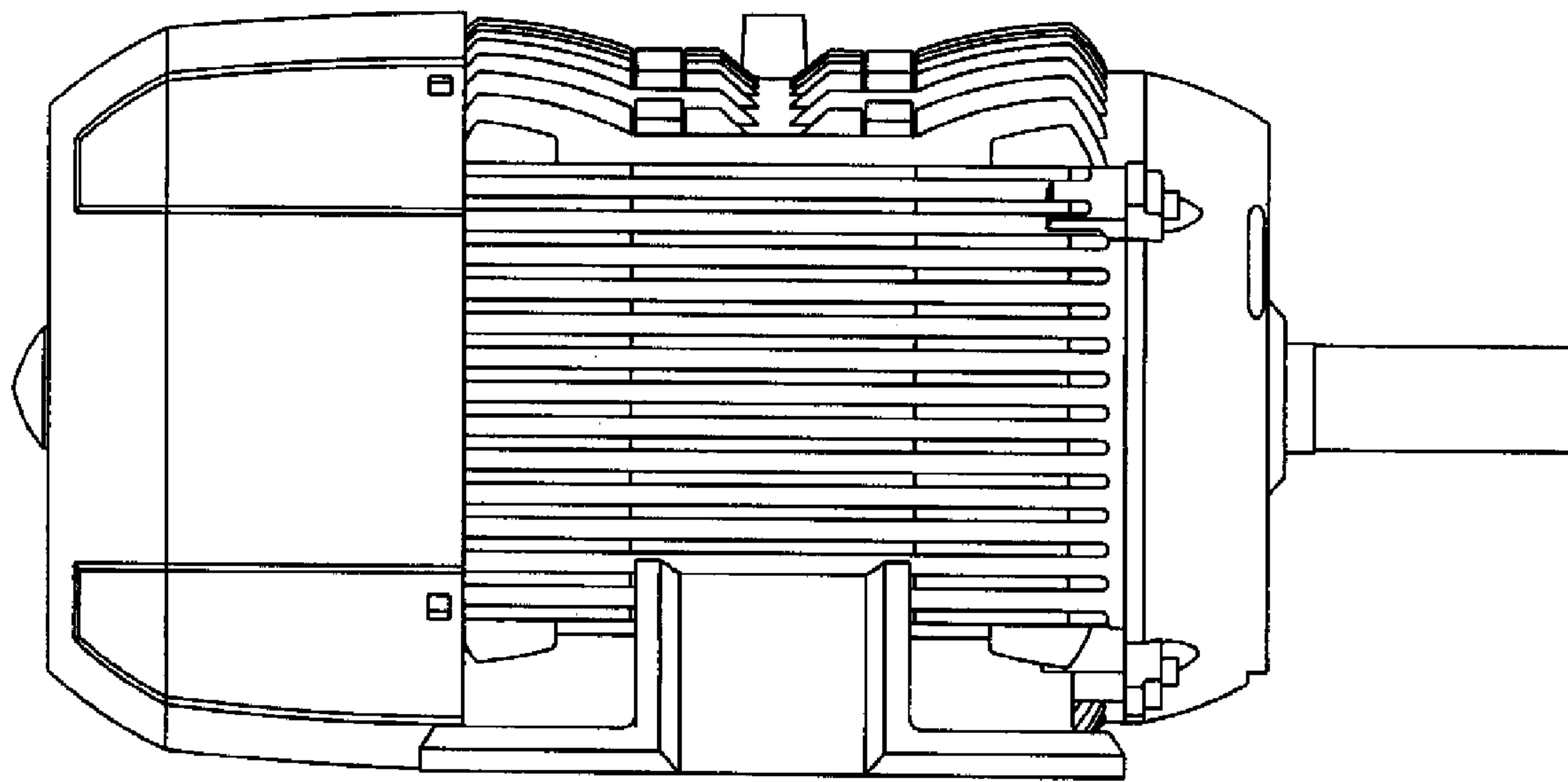


FIG 7

