



US00D568809S

(12) **United States Design Patent**  
**Izumo et al.**

(10) **Patent No.:** **US D568,809 S**  
(45) **Date of Patent:** **\*\* May 13, 2008**

(54) **BATTERY CHARGER FOR A MOBILE TELEPHONE**

(75) Inventors: **Takayuki Izumo**, Kawasaki (JP);  
**Naoki Kato**, Tokyo (JP)

(73) Assignee: **NEC Infrontia Corporation**,  
Kawasaki-shi (JP)

(\*\*) Term: **14 Years**

(21) Appl. No.: **29/288,156**

(22) Filed: **May 31, 2007**

(30) **Foreign Application Priority Data**

Dec. 5, 2006 (JP) ..... 2006-033453

(51) **LOC (8) Cl.** ..... **13-02**

(52) **U.S. Cl.** ..... **D13/108**

(58) **Field of Classification Search** ..... D13/107-110,  
D13/118-119, 184; D14/251, 253, 432,  
D14/434; 320/107-115

See application file for complete search history.

(56) **References Cited**

**U.S. PATENT DOCUMENTS**

D277,662 S \* 2/1985 Huntington et al. .... D13/107  
D357,990 S \* 5/1995 Cheng et al. .... D26/38  
D399,244 S \* 10/1998 Coveley ..... D18/12  
D474,737 S \* 5/2003 Yoshida ..... D13/108

D488,440 S \* 4/2004 Senda ..... D13/108  
D489,323 S \* 5/2004 Yoshida ..... D13/108  
D510,208 S \* 10/2005 Klimas ..... D6/466  
D511,520 S \* 11/2005 Hussaini et al. .... D14/434  
D514,576 S \* 2/2006 Sung et al. .... D14/434  
D523,847 S \* 6/2006 Naruki ..... D14/217  
D535,615 S \* 1/2007 Iwai ..... D13/108

\* cited by examiner

*Primary Examiner*—Robin V. Webster

*Assistant Examiner*—Rosemary K Tarca

(74) *Attorney, Agent, or Firm*—Frishauf, Holtz, Goodman &  
Chick, P.C.

(57) **CLAIM**

The ornamental design for a battery charger for a mobile telephone, as shown.

**DESCRIPTION**

FIG. 1 is a top, front, right side perspective view of a battery charger for a mobile telephone showing our new design;

FIG. 2 is a front elevational view thereof;

FIG. 3 is a rear elevational view thereof;

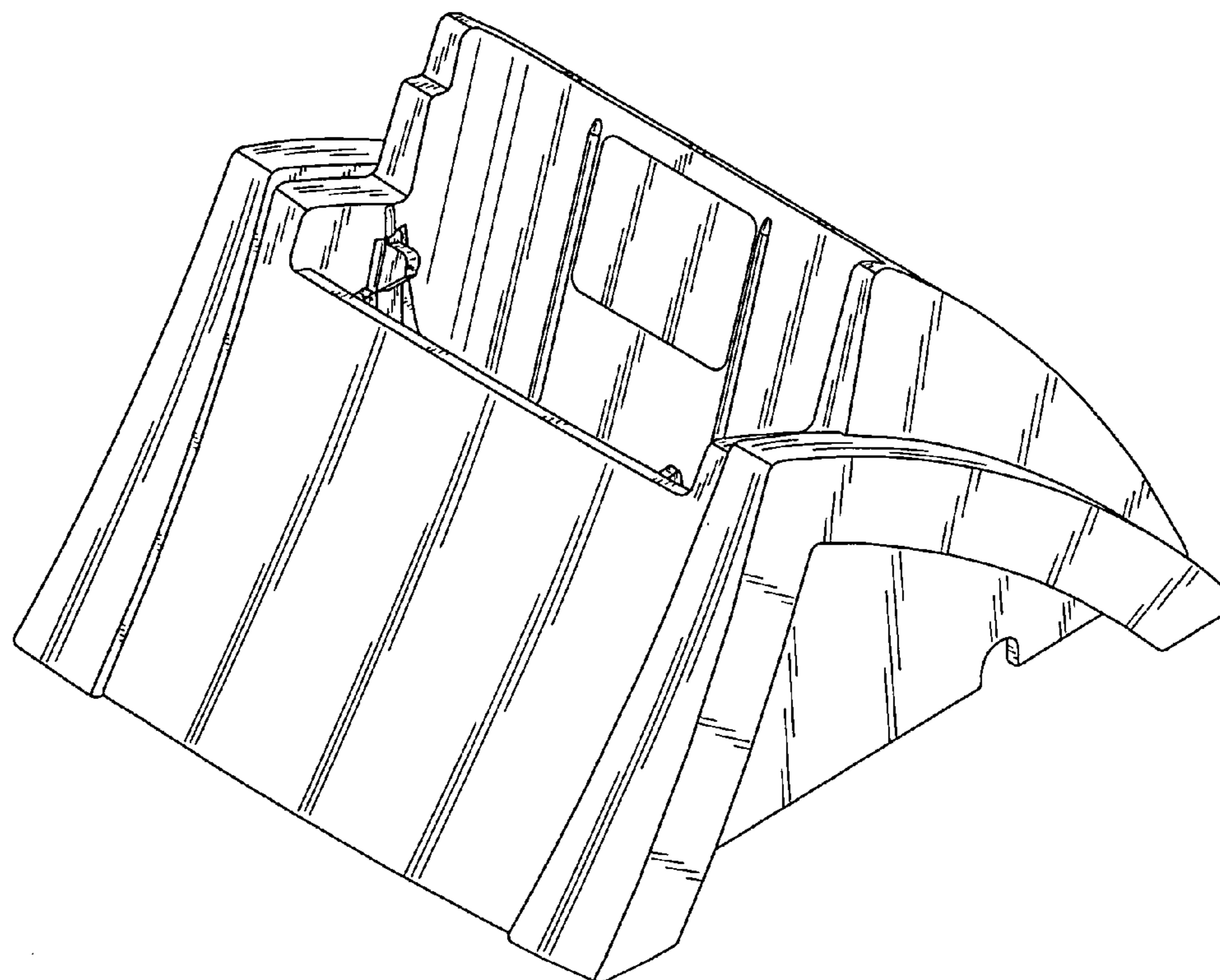
FIG. 4 is a left side view thereof;

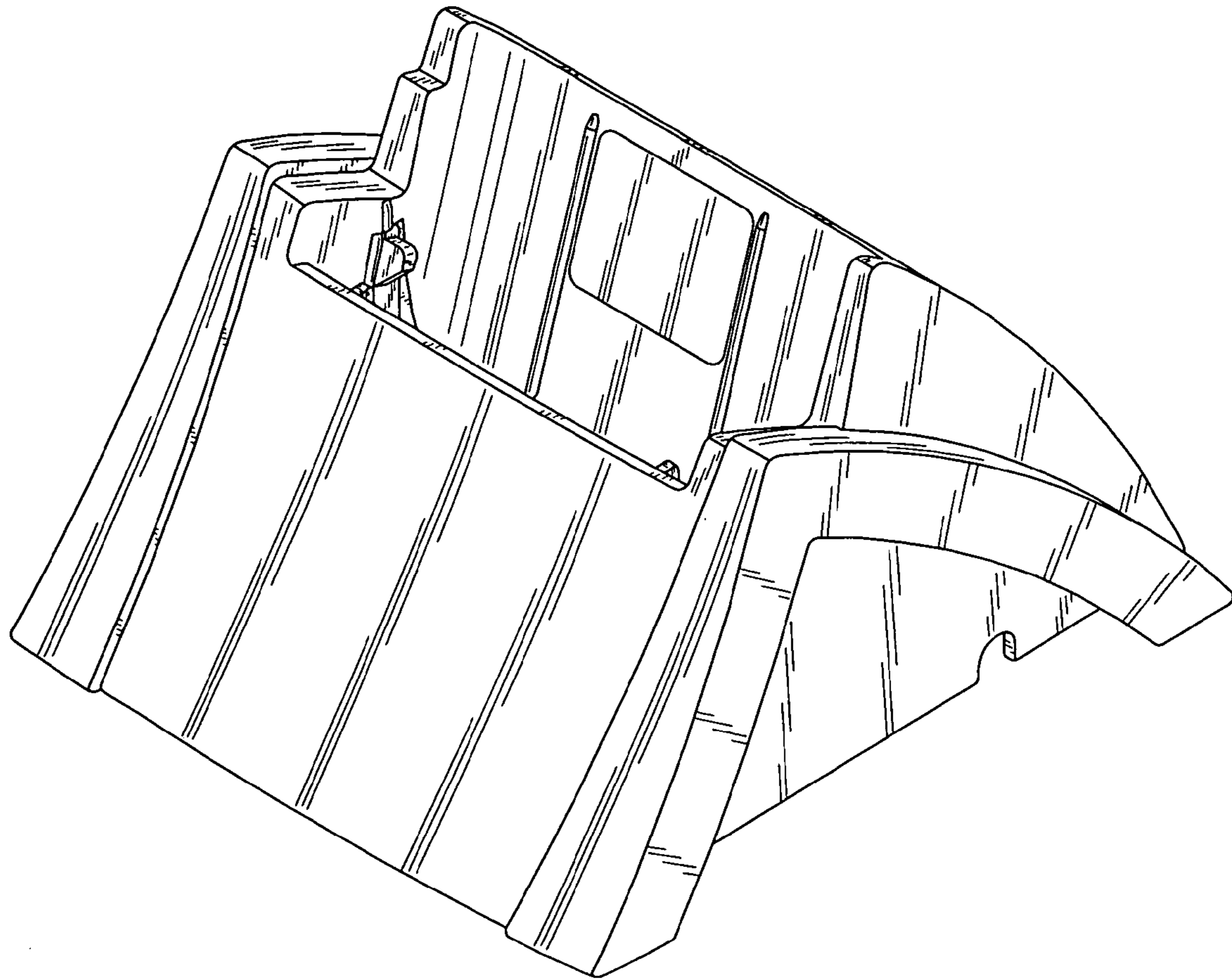
FIG. 5 is a right side view thereof;

FIG. 6 is a top plan view thereof; and,

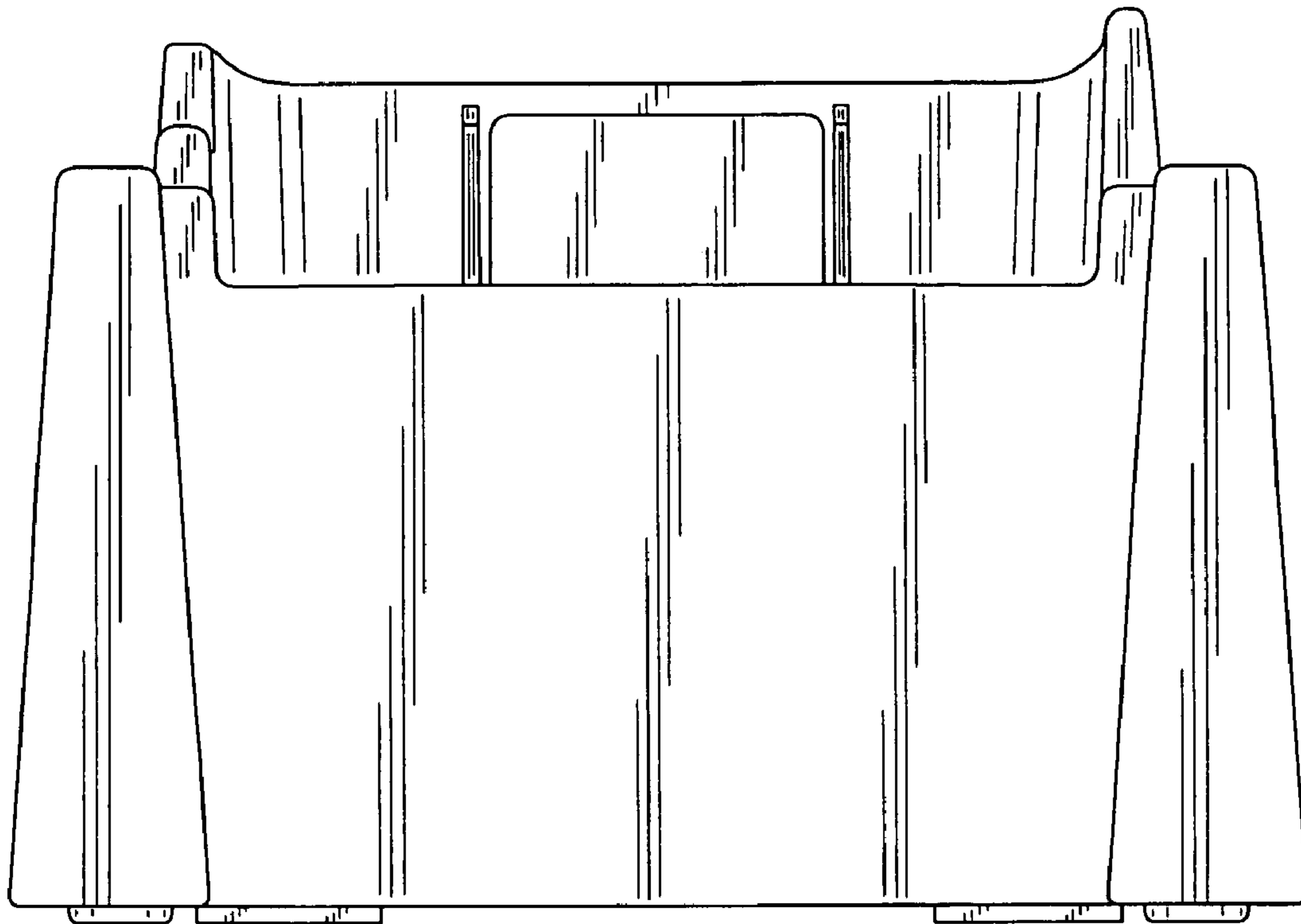
FIG. 7 is a bottom plan view thereof.

**1 Claim, 7 Drawing Sheets**

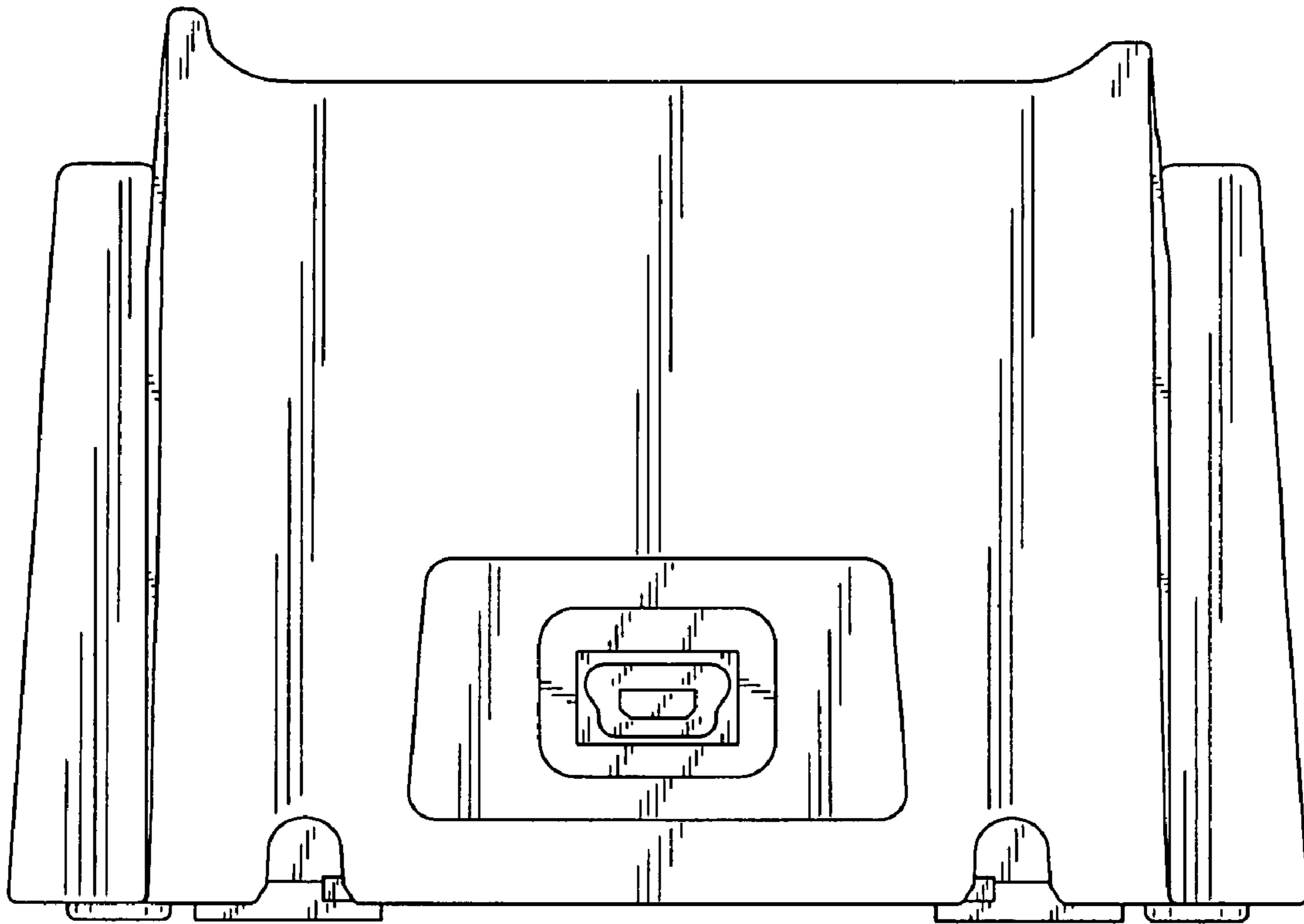




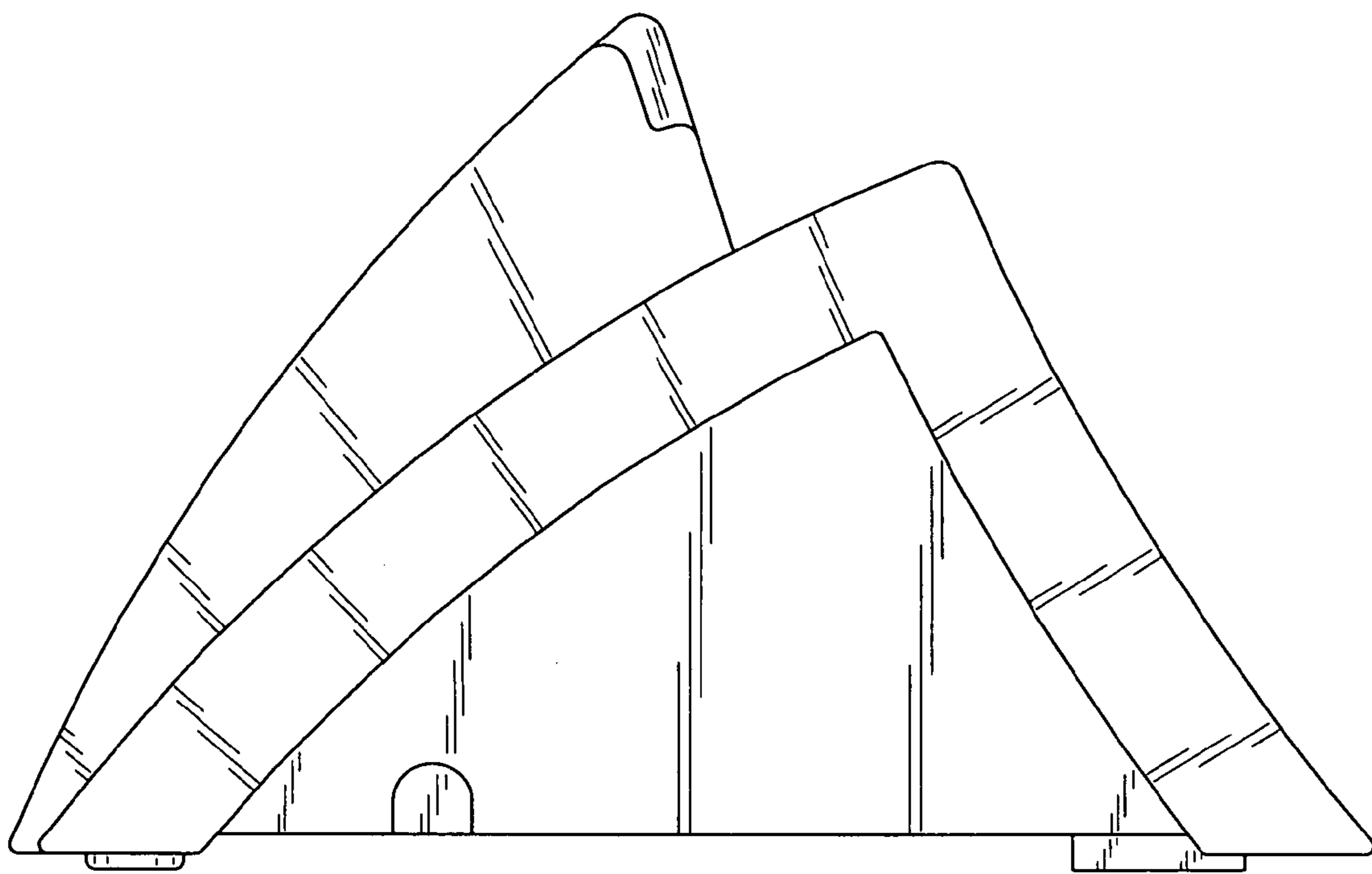
**FIG. 1**



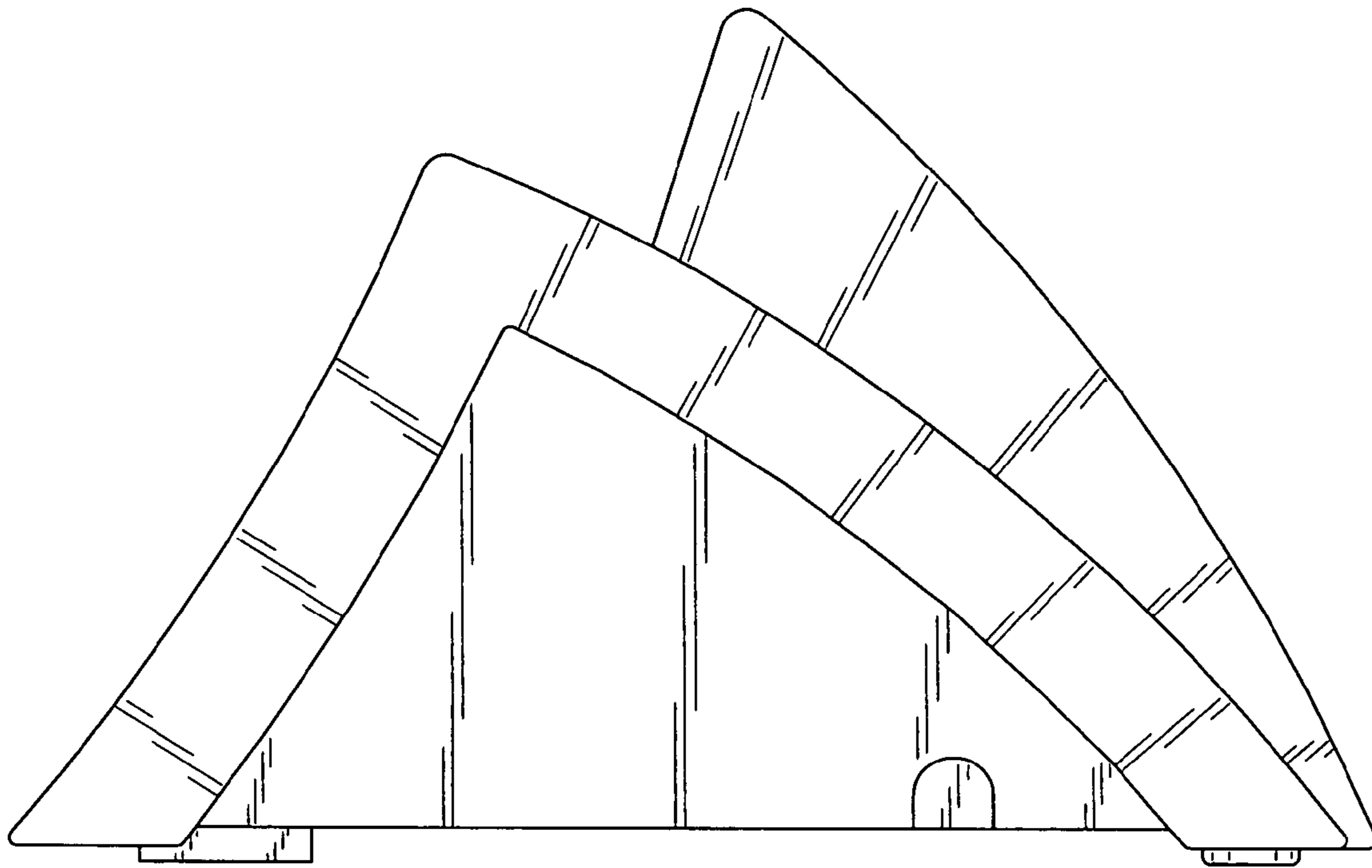
**FIG. 2**



**FIG. 3**



**FIG. 4**



**FIG. 5**

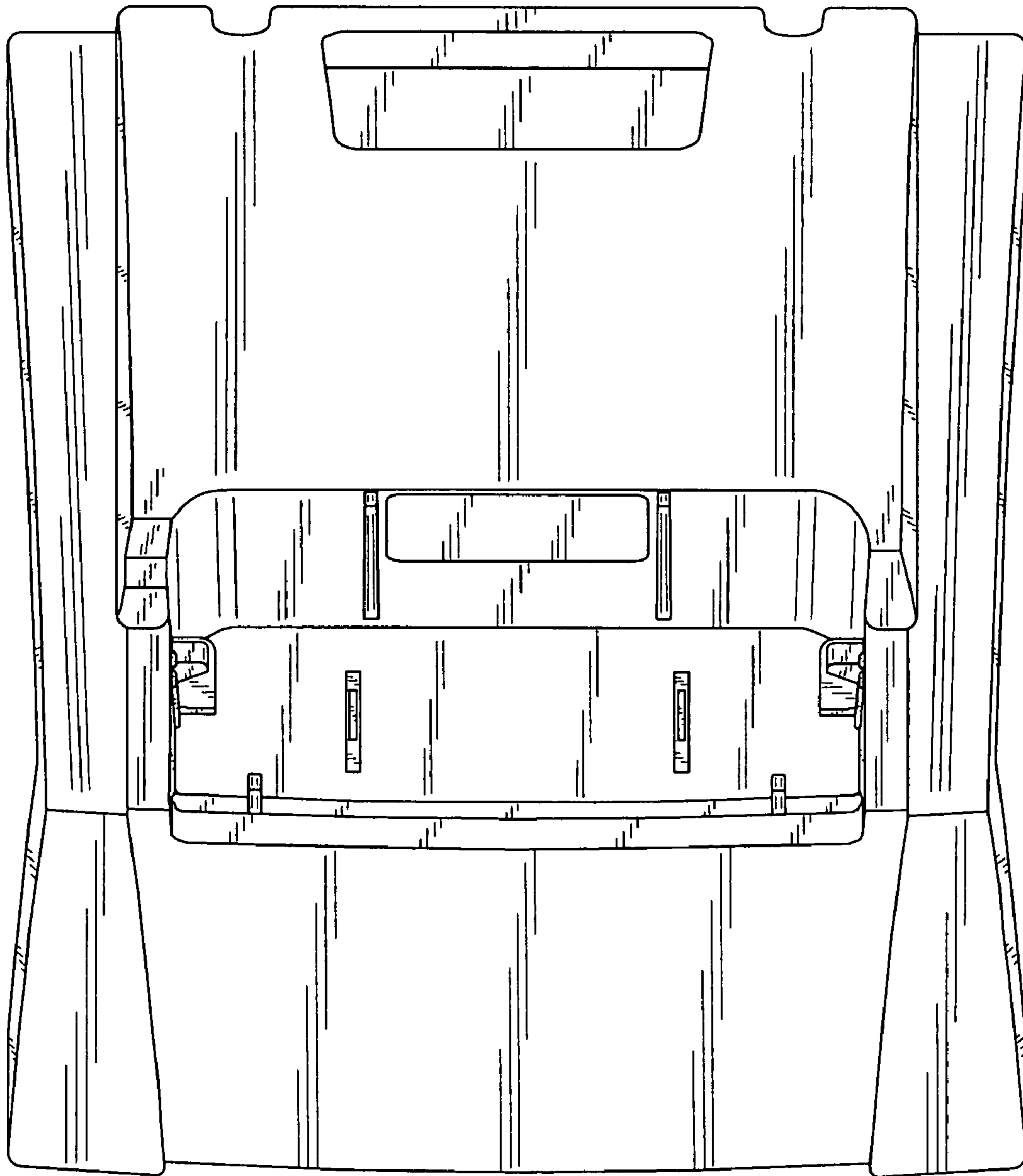


FIG. 6

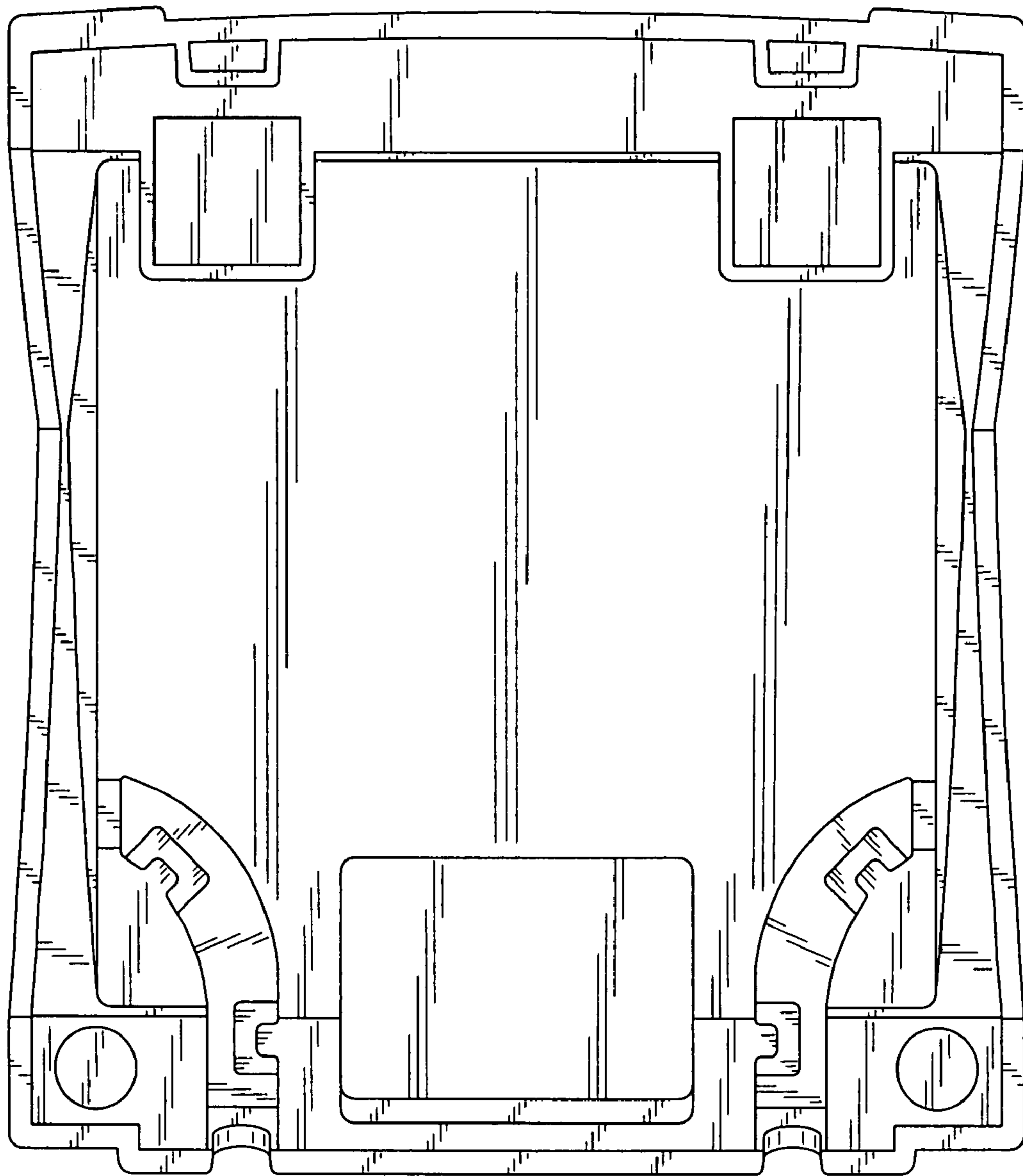


FIG. 7