



US00D568799S

(12) **United States Design Patent**  
**Spearman-Oxx et al.**

(10) **Patent No.:** **US D568,799 S**

(45) **Date of Patent:** **\*\* May 13, 2008**

(54) **VEHICLE MIRROR**

(75) Inventors: **Simon Spearman-Oxx**, Kent (GB);  
**Ehab Kaoud**, Canton, MI (US)

(73) Assignee: **Ford Global Technologies, LLC**,  
Dearborn, MI (US)

(\*\*) Term: **14 Years**

(21) Appl. No.: **29/283,852**

(22) Filed: **Aug. 24, 2007**

**Related U.S. Application Data**

(62) Division of application No. 29/246,054, filed on Jan. 13, 2006.

(51) **LOC (8) Cl.** ..... **12-16**

(52) **U.S. Cl.** ..... **D12/187**

(58) **Field of Classification Search** ..... D12/187-189;  
359/838-851, 855-868, 871-881; 248/475.1,  
248/476, 480-481, 485-487

See application file for complete search history.

(56) **References Cited**

**U.S. PATENT DOCUMENTS**

D397,072 S \* 8/1998 Hellhake et al. .... D12/187

D449,261 S \* 10/2001 Englander ..... D12/187

D479,169 S \* 9/2003 Schmidt et al. .... D12/187

D519,428 S \* 4/2006 Ervolina ..... D12/187

D545,740 S \* 7/2007 Schiavone et al. .... D12/187

D545,741 S \* 7/2007 Branham ..... D12/187

D547,247 S \* 7/2007 Shimoguchi et al. .... D12/187

\* cited by examiner

*Primary Examiner*—Stacia Cadmus

(74) *Attorney, Agent, or Firm*—Damian Porcari

(57) **CLAIM**

The ornamental design for a vehicle mirror, as shown and described.

**DESCRIPTION**

FIG. 1 is a perspective view of a right vehicle mirror (the left vehicle mirror being a mirror of the right vehicle mirror and is not shown);

FIG. 2 is a front elevational view of the vehicle mirror;

FIG. 3 is a right side elevational view of the vehicle mirror;

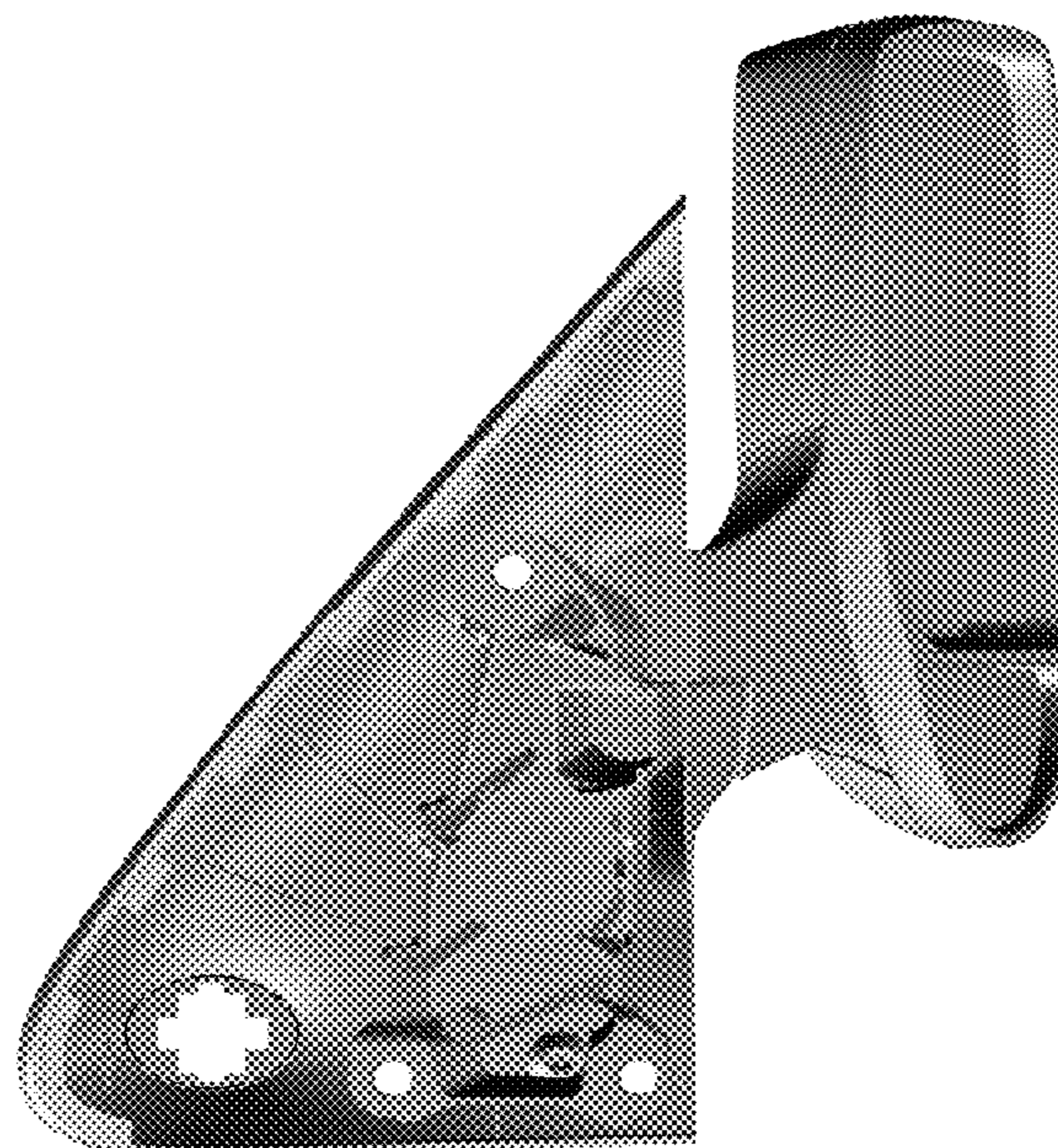
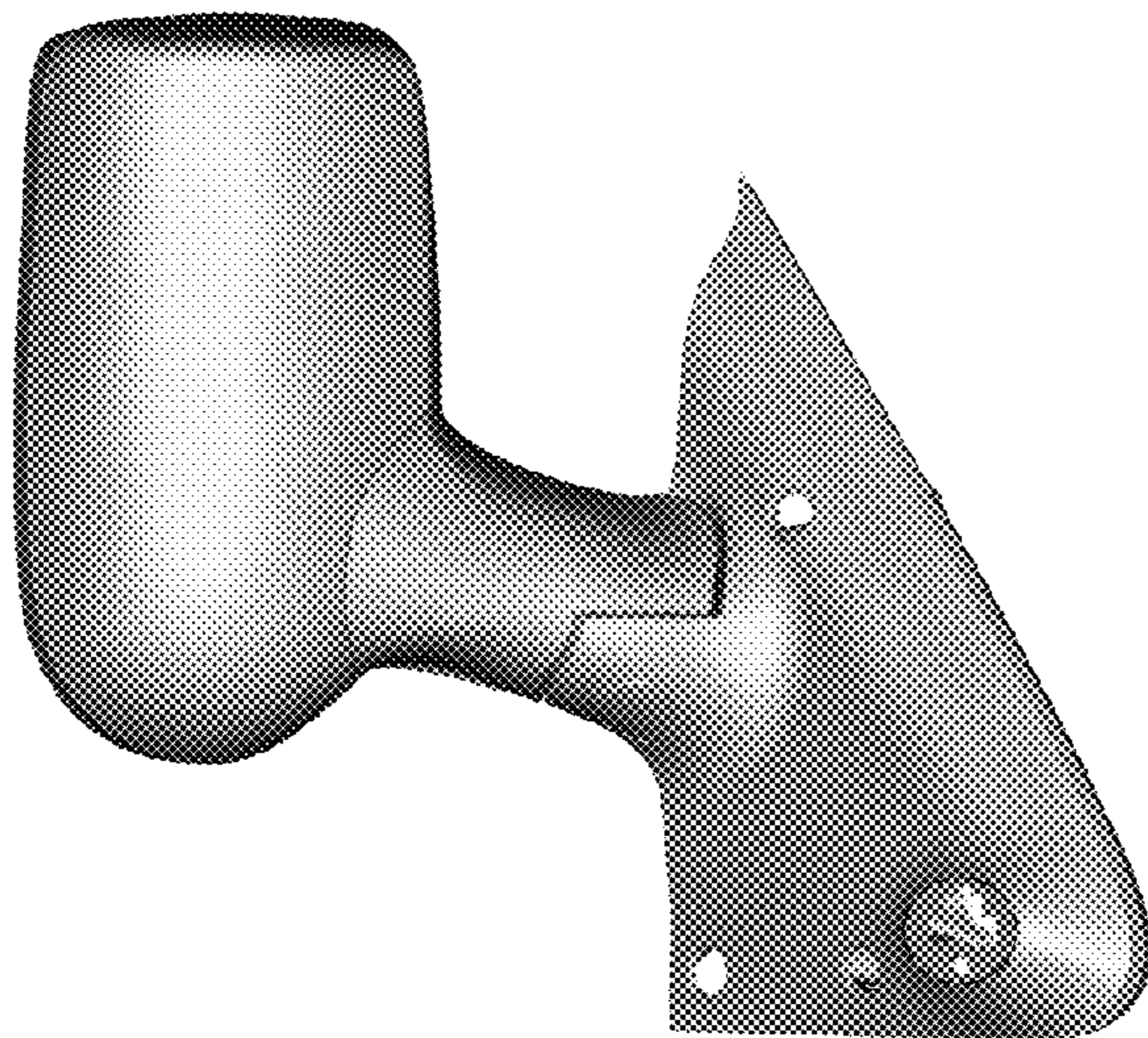
FIG. 4 is a left side elevational view of the vehicle mirror;

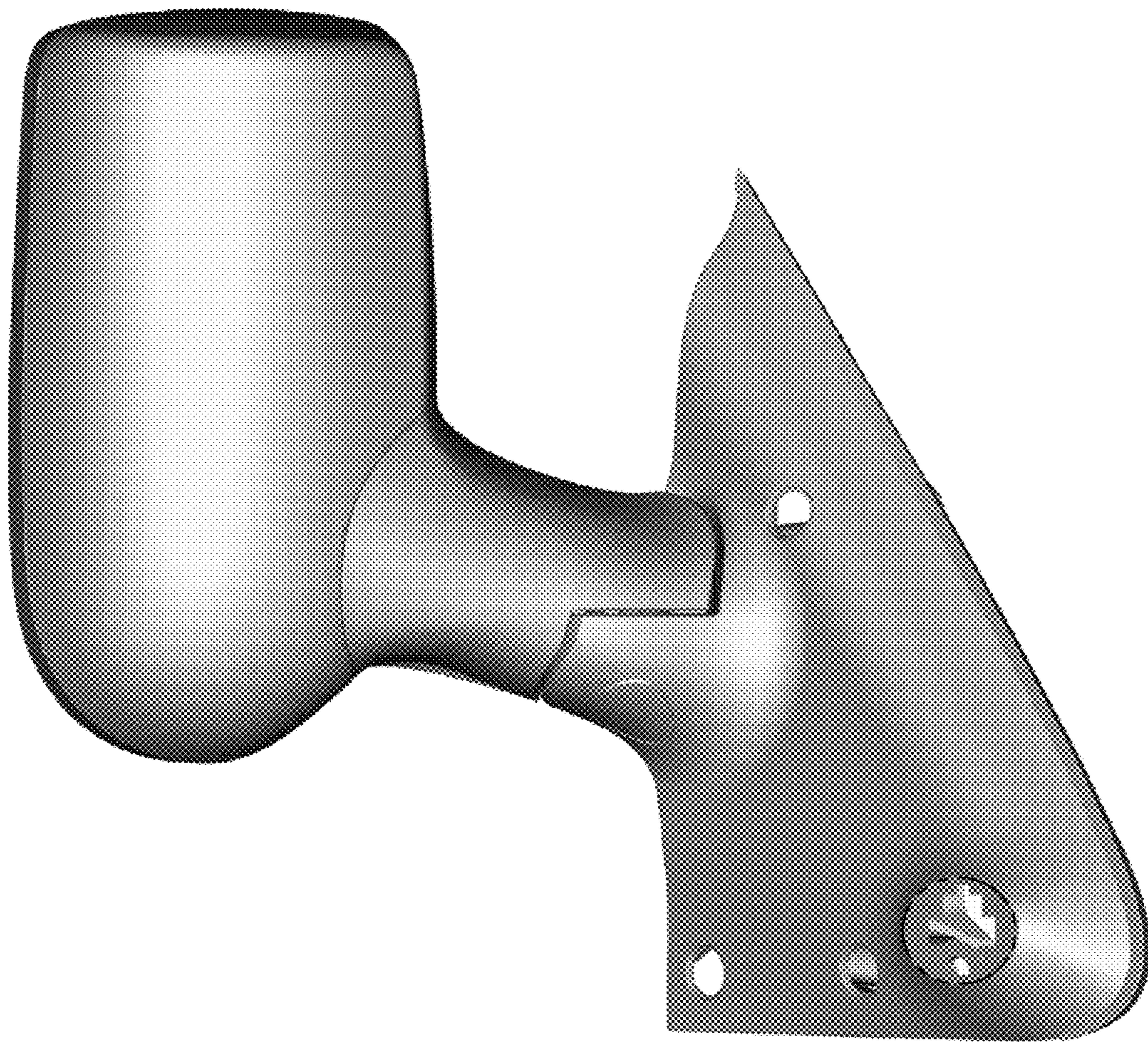
FIG. 5 is a top plan view of the vehicle mirror; and,

FIG. 6 is a bottom plan view of the vehicle mirror.

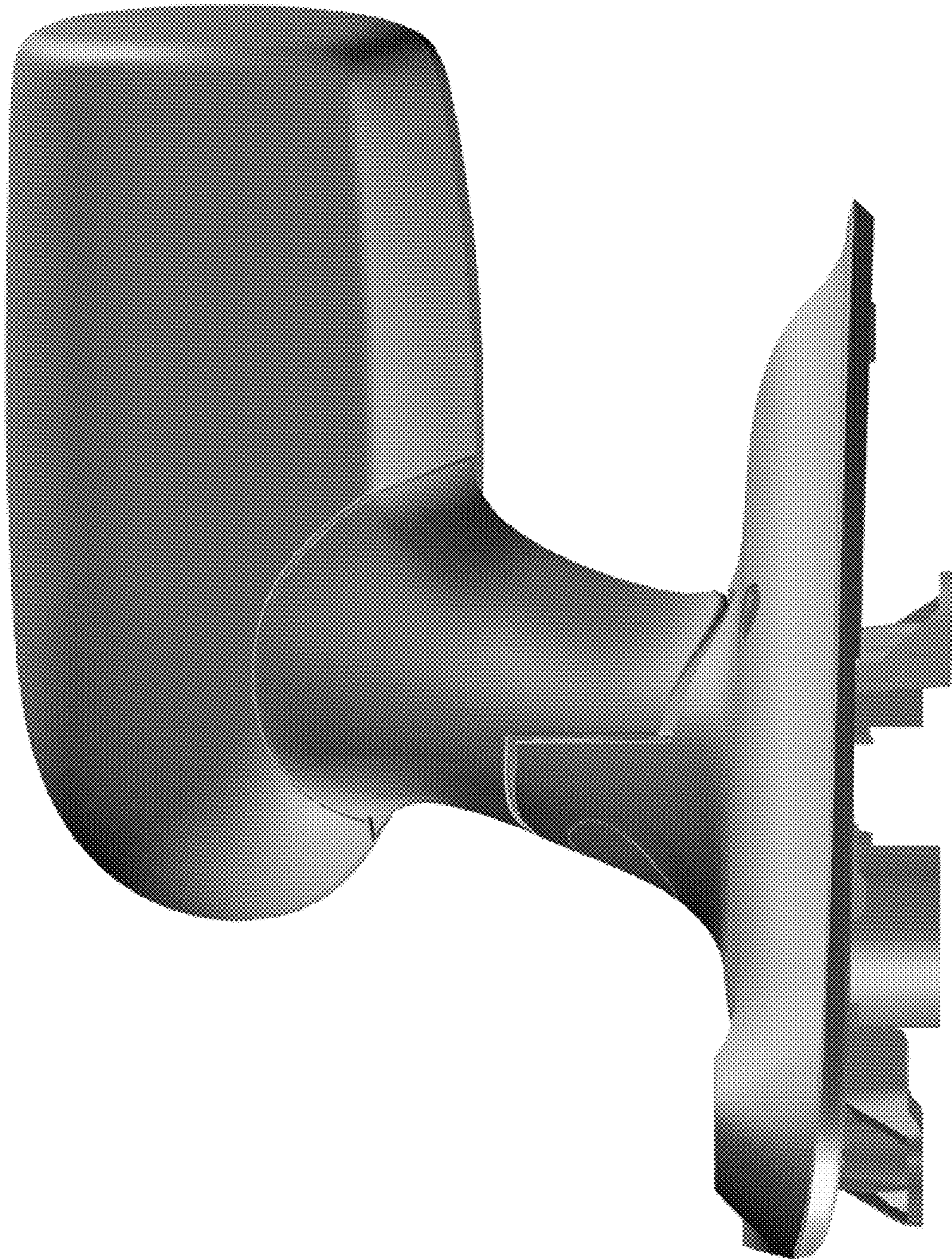
Shading is used to illustrate the curvature of the part and not color.

**1 Claim, 6 Drawing Sheets**

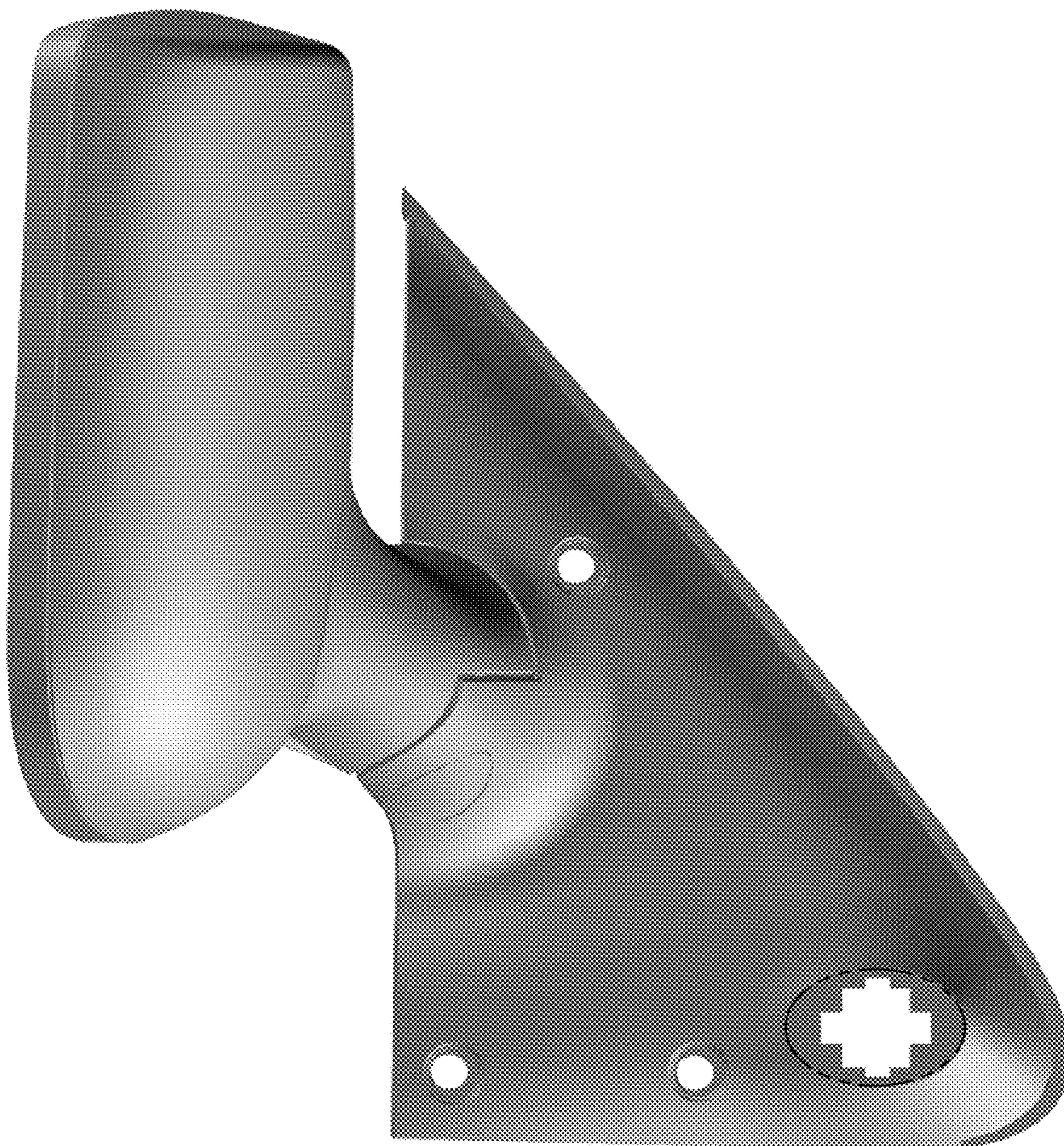




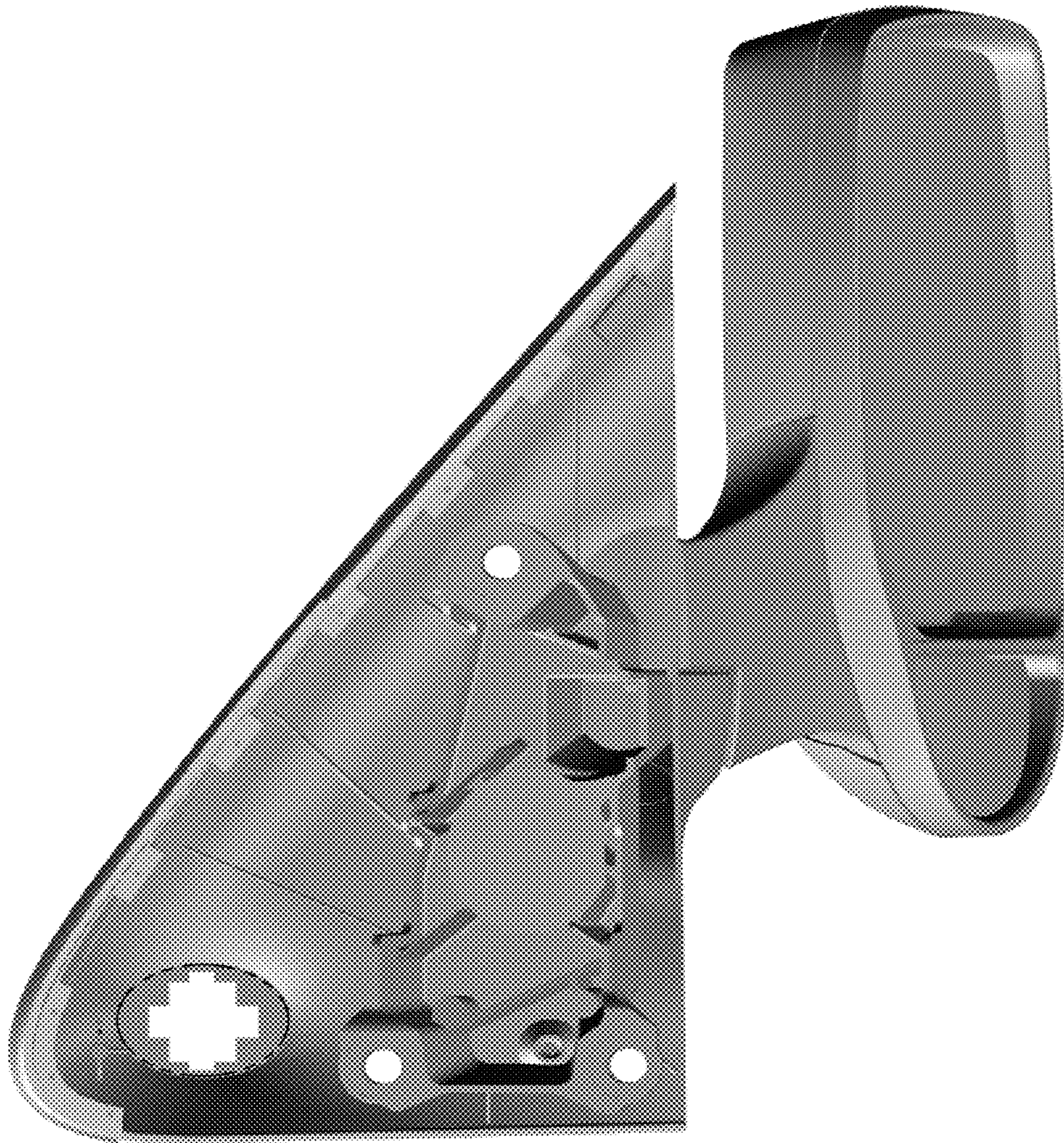
*Figure 1*



*Figure 2*



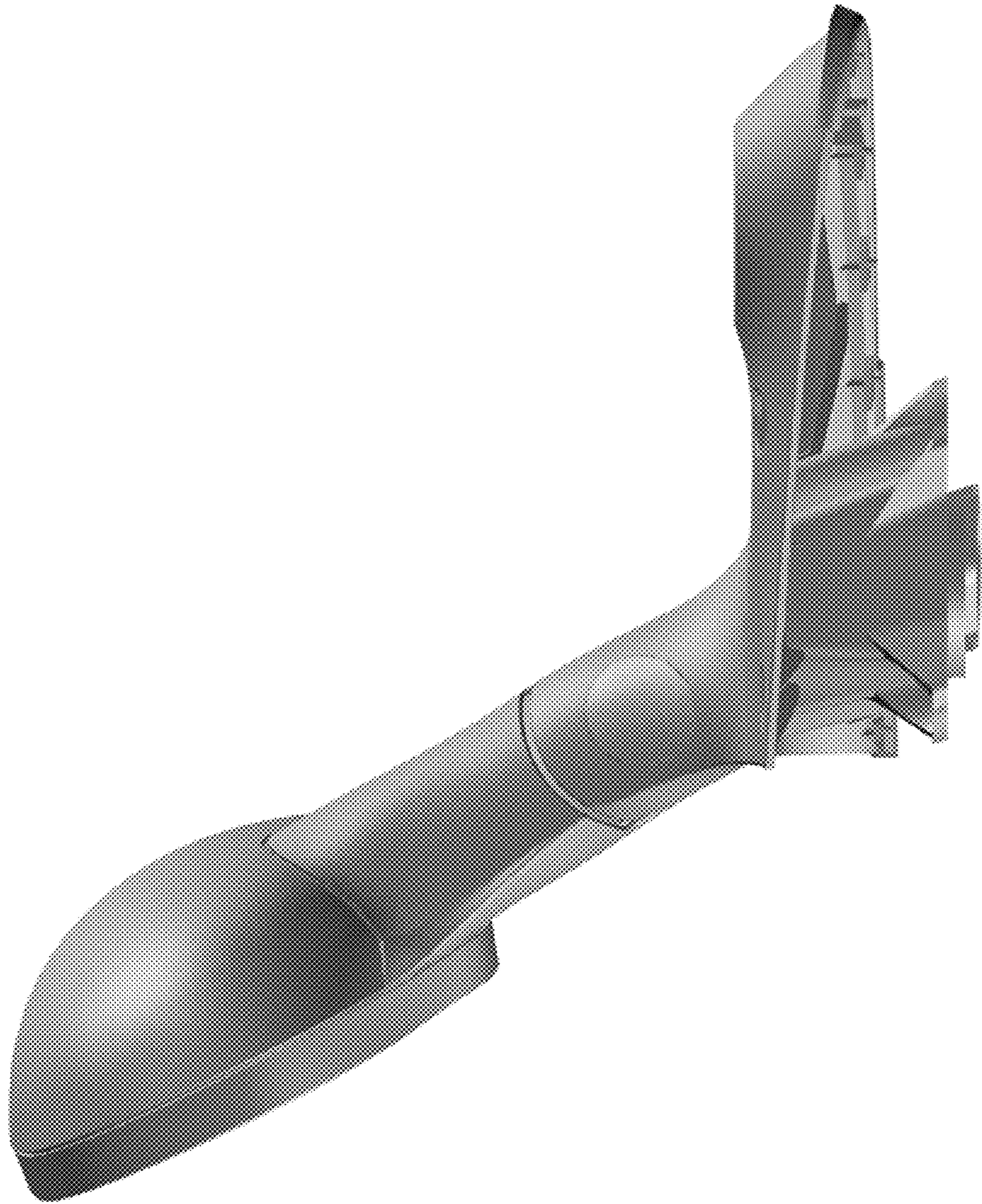
*Figure 3*



*Figure 4*



*Figure 5*



*Figure 6*