



US00D568797S

(12) **United States Design Patent**
Elwell

(10) **Patent No.:** **US D568,797 S**

(45) **Date of Patent:** **** May 13, 2008**

(54) **AIR DAM COVER FOR VEHICLE**

(75) Inventor: **James P. Elwell**, Johnston, IA (US)

(73) Assignee: **Putco, Inc.**, Story City, IA (US)

(**) Term: **14 Years**

(21) Appl. No.: **29/282,928**

(22) Filed: **Aug. 1, 2007**

(51) **LOC (8) Cl.** **12-08**

(52) **U.S. Cl.** **D12/181**

(58) **Field of Classification Search** D12/181,
D12/190-191, 184-185, 214-216, 196; 296/91,
296/95.1, 136, 180.1-180.2; 280/770, 848,
280/850; 180/68.6, 69.2
See application file for complete search history.

(56) **References Cited**

U.S. PATENT DOCUMENTS

D248,550 S *	7/1978	Woodard	D12/181
D252,679 S *	8/1979	Welden et al.	D12/181
D254,063 S *	1/1980	Anziano	D12/181
D290,832 S *	7/1987	Mayhugh	D12/181
D296,429 S *	6/1988	Wortman	D12/181
D316,072 S *	4/1991	Wayne	D12/190
D375,068 S *	10/1996	Lund	D12/190
D511,730 S *	11/2005	Rowland et al.	D12/190
D512,947 S *	12/2005	Buerlein	D12/196

D524,705 S *	7/2006	Bettino	D12/181
D539,713 S *	4/2007	Kozak et al.	D12/181
D552,018 S *	10/2007	Elwell et al.	D12/181

* cited by examiner

Primary Examiner—Stacia Cadmus

(74) *Attorney, Agent, or Firm*—McKee, Voorhees & Sease, P.L.C.

(57) **CLAIM**

I claim the ornamental design for an air dam cover for vehicle, substantially as shown and described.

DESCRIPTION

FIG. 1 is a top perspective view of the air dam cover for vehicle.

FIG. 2 is a top plan view thereof.

FIG. 3 is a bottom plan view thereof.

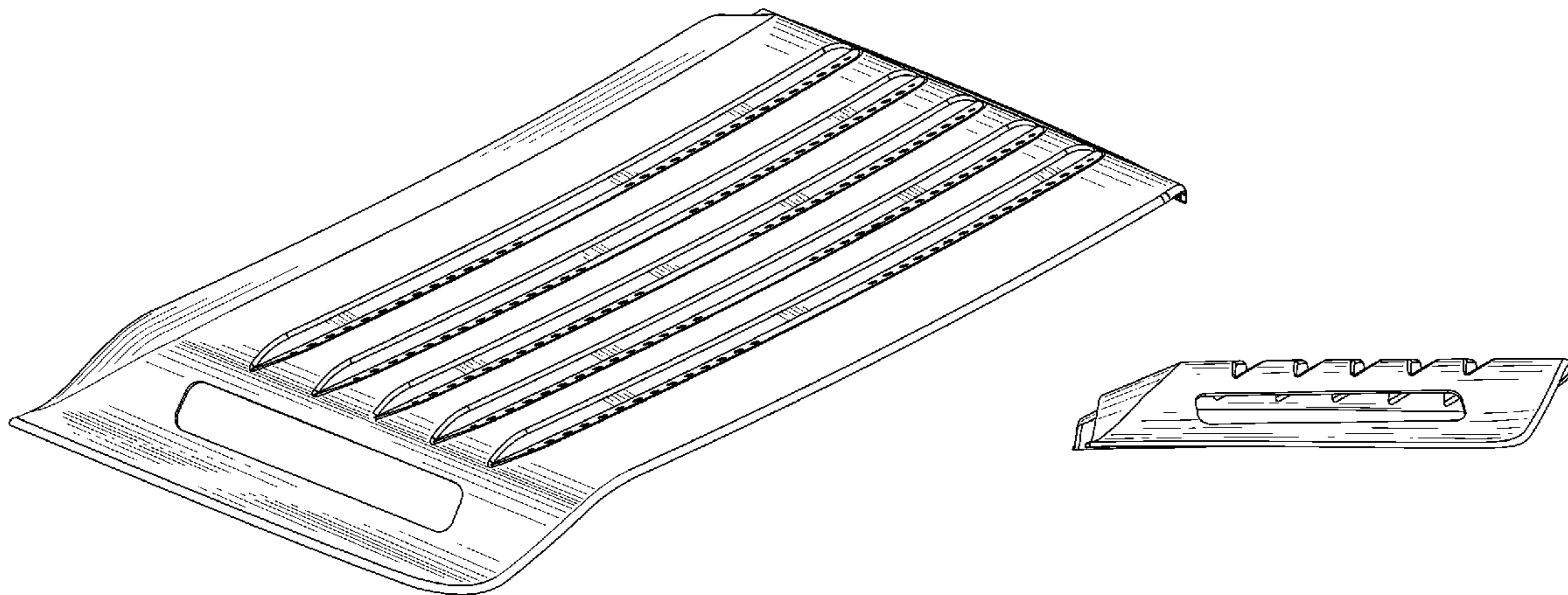
FIG. 4 is an elevational view as taken from the right side of FIG. 2.

FIG. 5 is an elevational view as taken from the left side of FIG. 2.

FIG. 6 is a rear elevational view as taken from the rear of FIG. 1; and,

FIG. 7 is a front elevational view as taken from the front of FIG. 1.

1 Claim, 5 Drawing Sheets



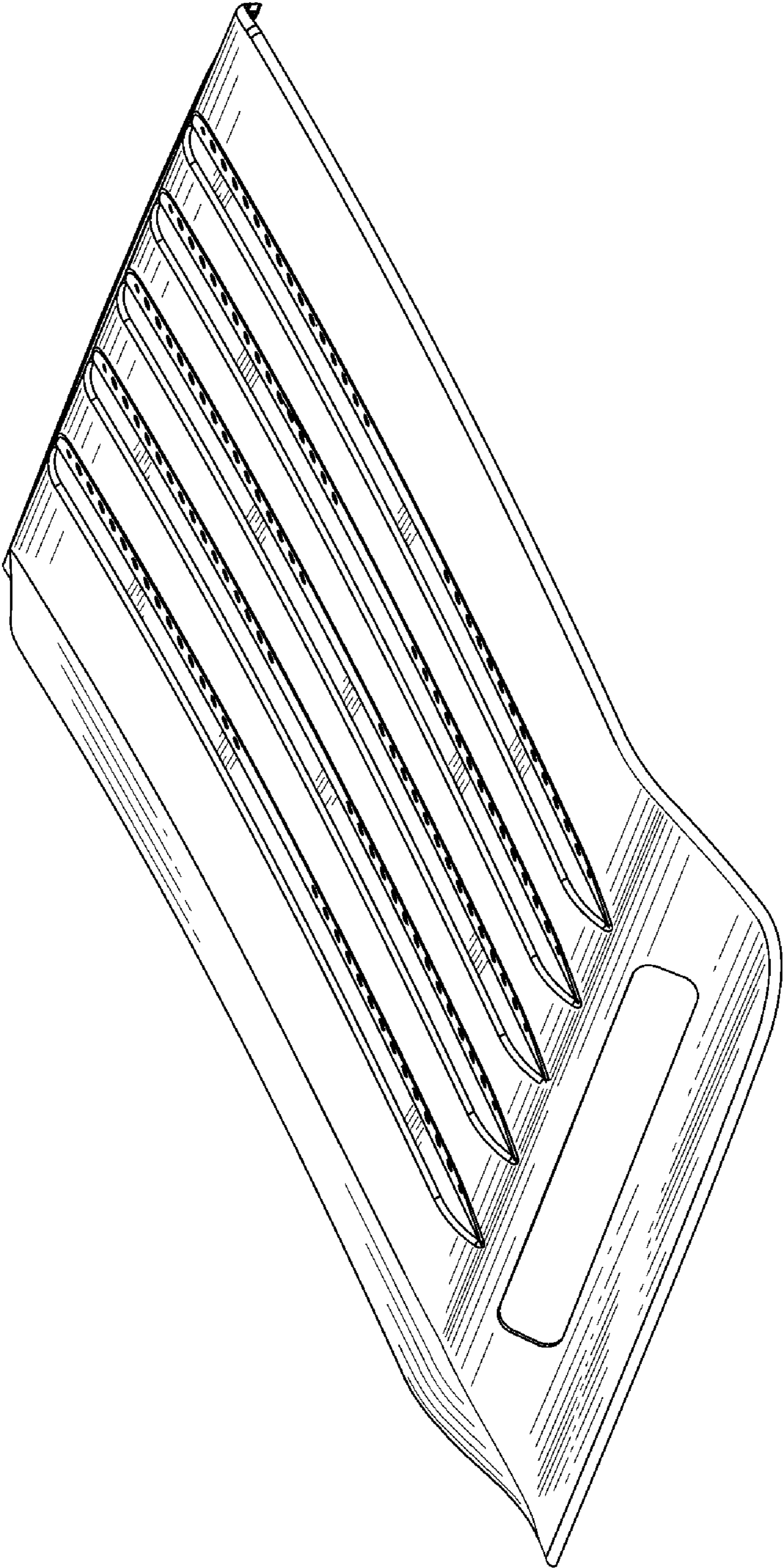


Fig. 1

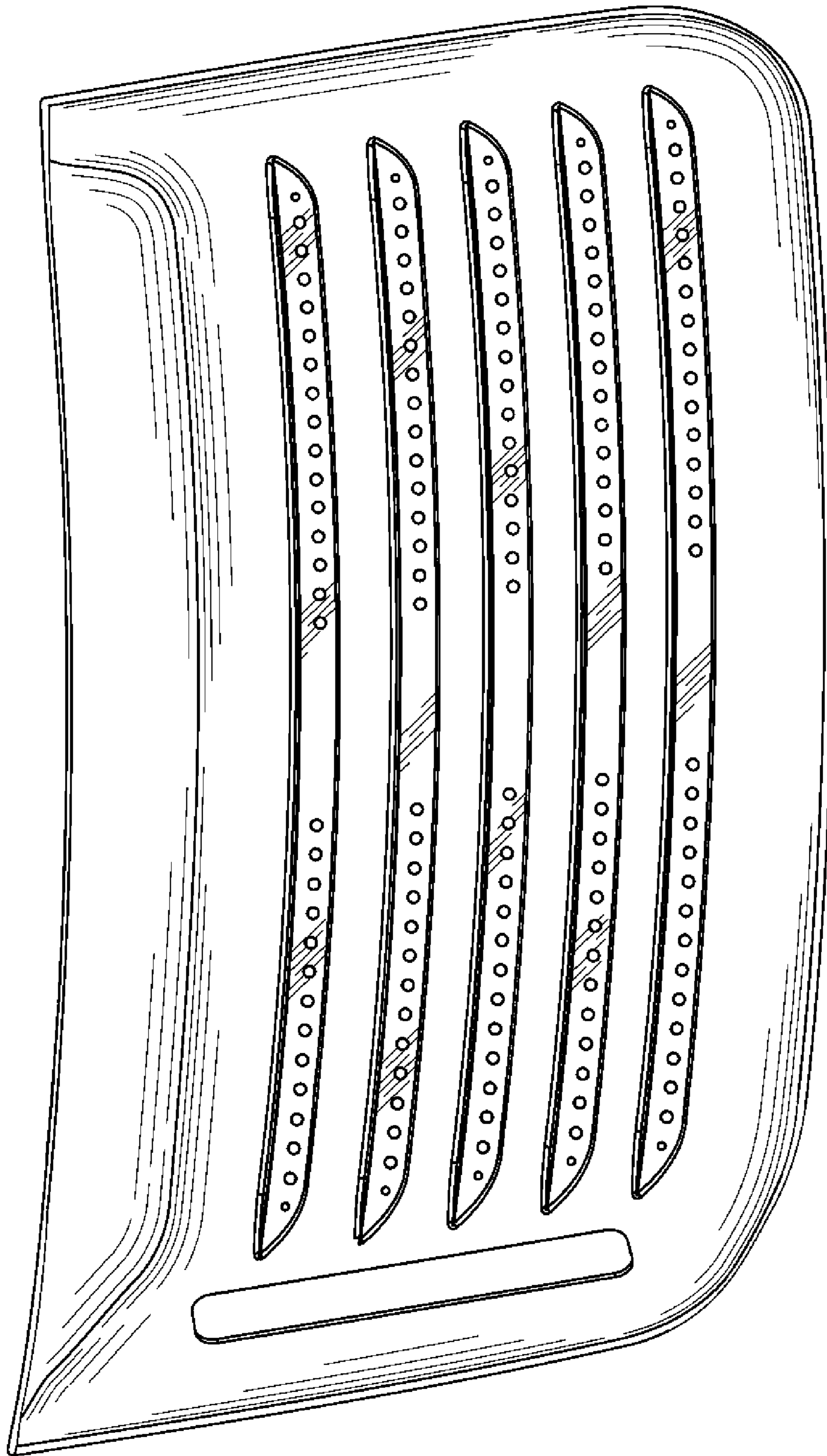


Fig. 2

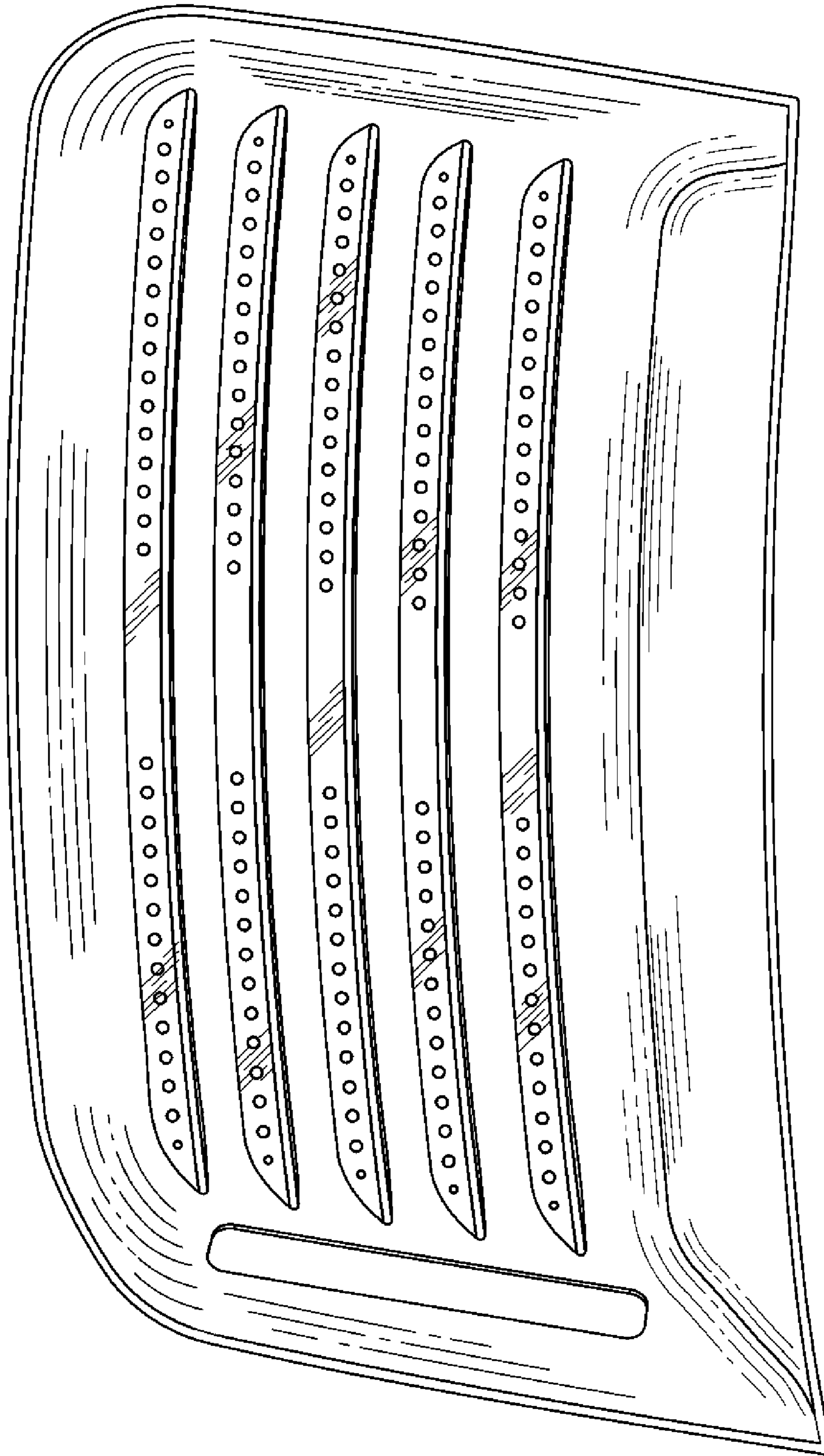


Fig. 3

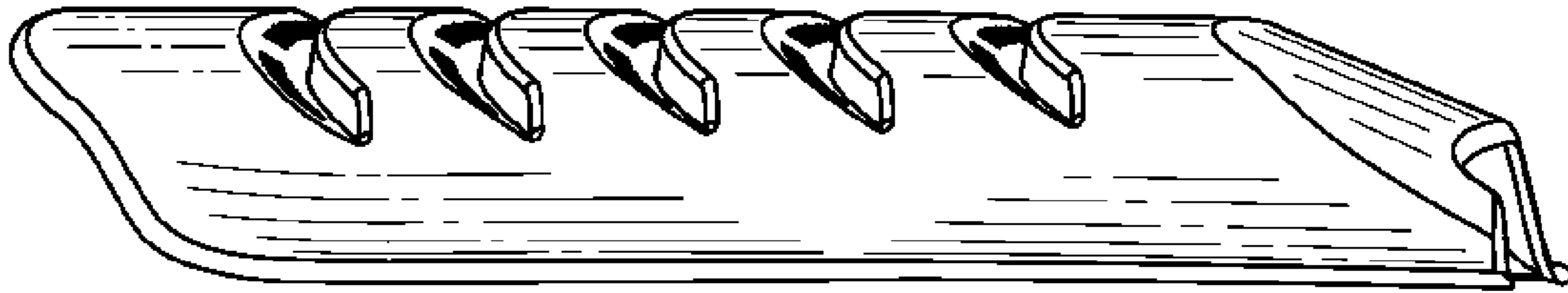


Fig. 4

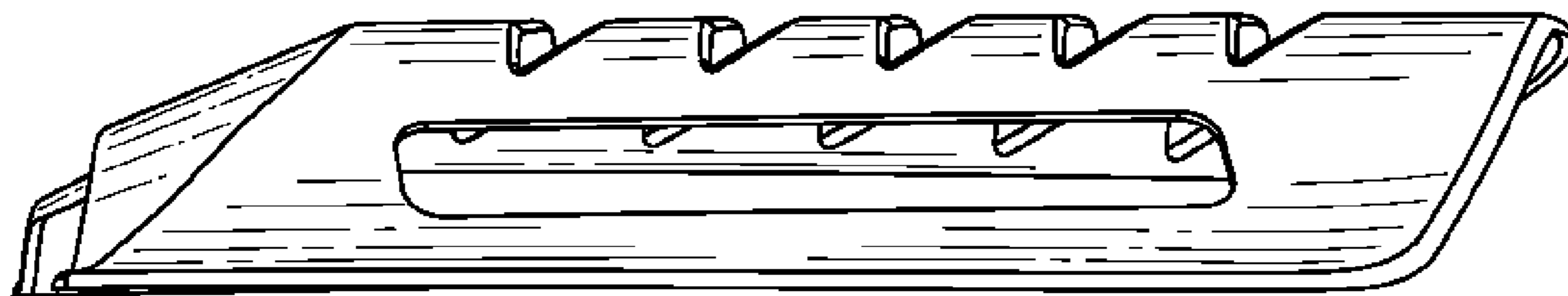


Fig. 5

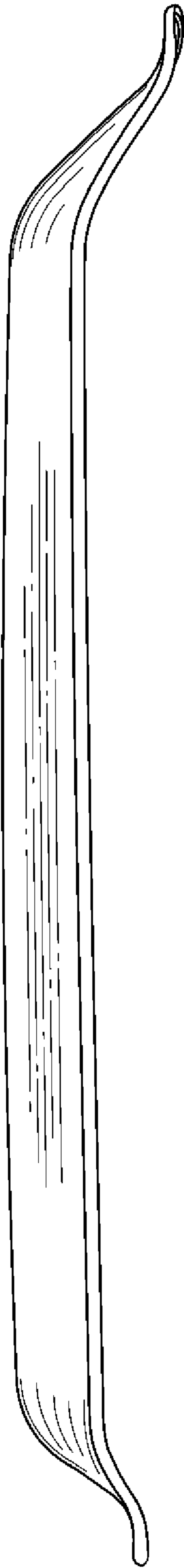


Fig. 6

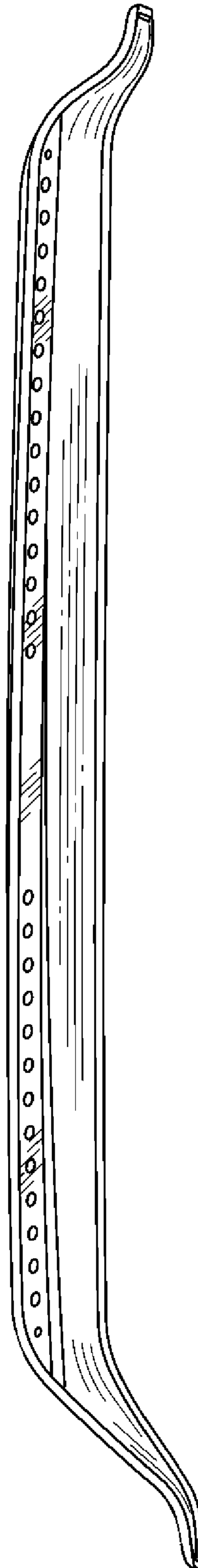


Fig. 7