



US00D568789S

(12) **United States Design Patent**
Guichot

(10) **Patent No.:** **US D568,789 S**

(45) **Date of Patent:** **** May 13, 2008**

(54) **BELT BUCKLE**

(75) Inventor: **Isabelle Guichot**, Paris (FR)

(73) Assignee: **Balenciaga**, Paris (FR)

(**) Term: **14 Years**

(21) Appl. No.: **29/295,715**

(22) Filed: **Oct. 4, 2007**

(51) **LOC (8) Cl.** **02-07**

(52) **U.S. Cl.** **D11/218**

(58) **Field of Classification Search** D11/1-2,
D11/200-201, 206-210, 214-218; 24/163 R,
24/169-171, 173, 177-179, 191, 194-195,
24/197, 200

See application file for complete search history.

(56) **References Cited**

U.S. PATENT DOCUMENTS

D103,174 S * 2/1937 Knoll D11/218
4,309,799 A * 1/1982 Noda 24/315

5,105,511 A * 4/1992 Shahin et al. 24/198
D342,465 S * 12/1993 Anthony et al. D11/218
D358,567 S * 5/1995 Sirois D11/212
D408,325 S * 4/1999 Krauss D11/216
D496,882 S * 10/2004 Kaneko et al. D11/218
D552,014 S * 10/2007 Chen et al. D11/216

* cited by examiner

Primary Examiner—R. Seifert

(74) *Attorney, Agent, or Firm*—Collen IP; Donald J. Ranft

(57) **CLAIM**

The ornamental design for a belt buckle, as shown and described.

DESCRIPTION

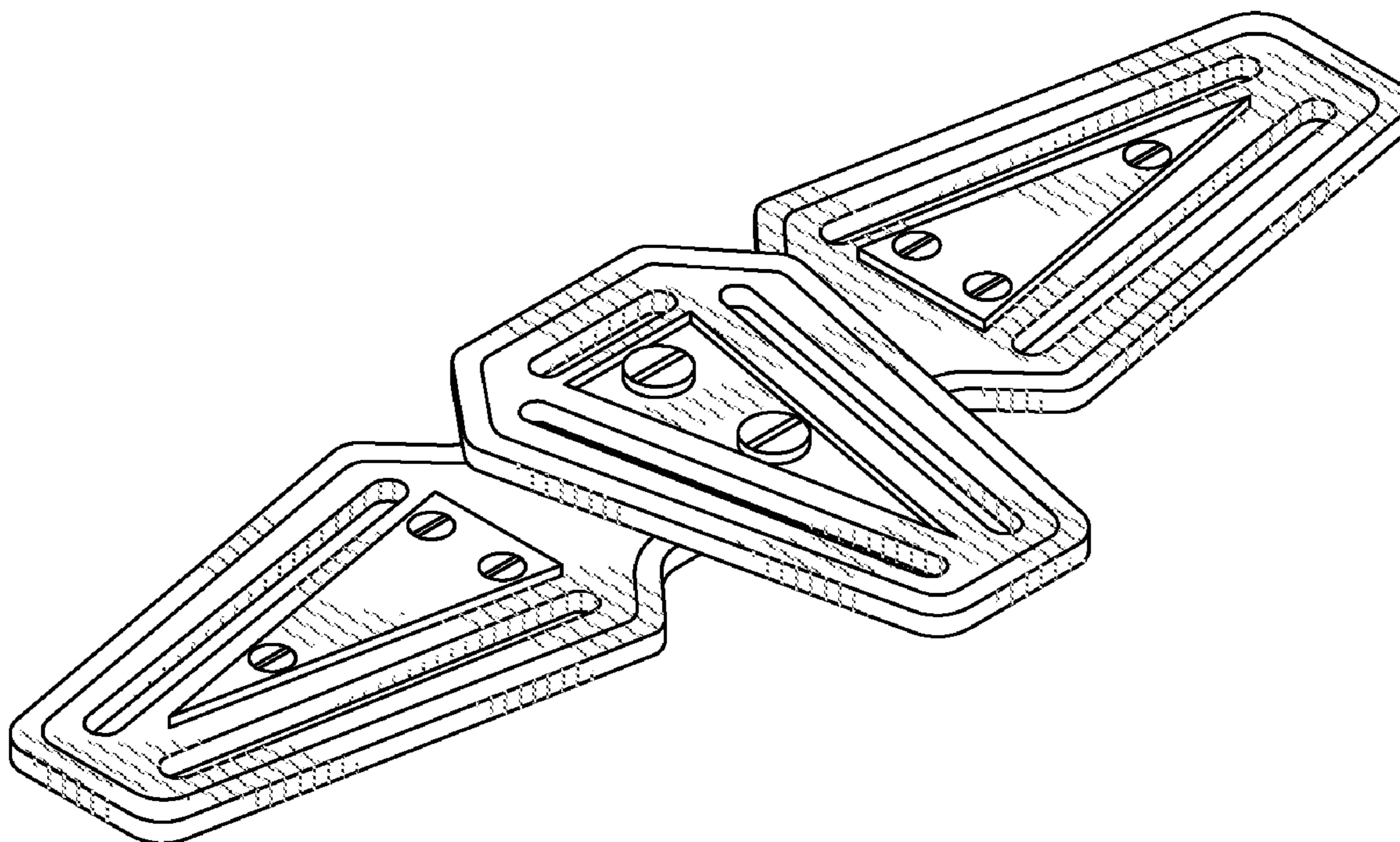
FIG. 1 is a front perspective view of my new and ornamental design for a belt buckle;

FIG. 2 is a rear perspective view thereof;

FIG. 3 is a front view thereof; and,

FIG. 4 is a rear view thereof.

1 Claim, 2 Drawing Sheets



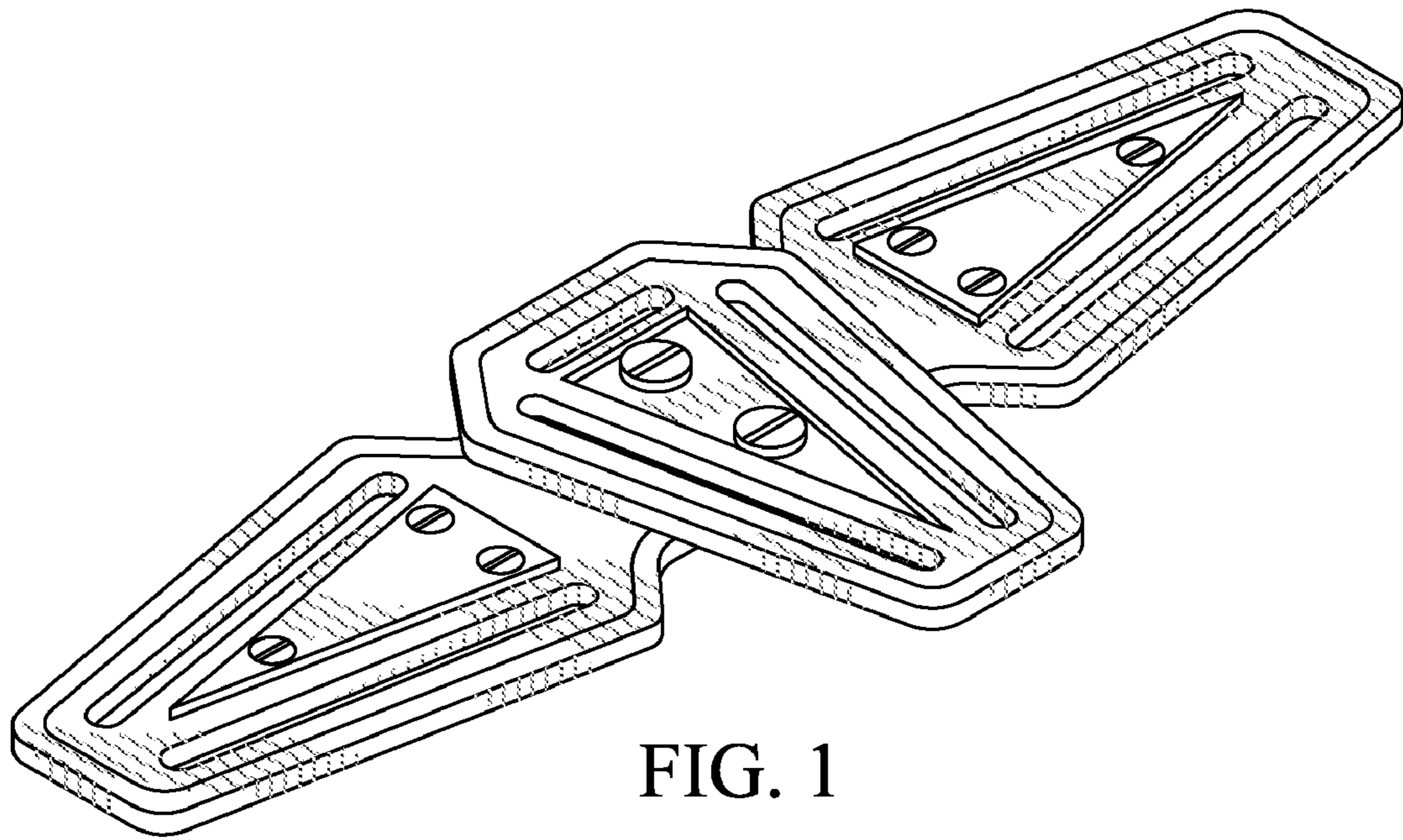


FIG. 1

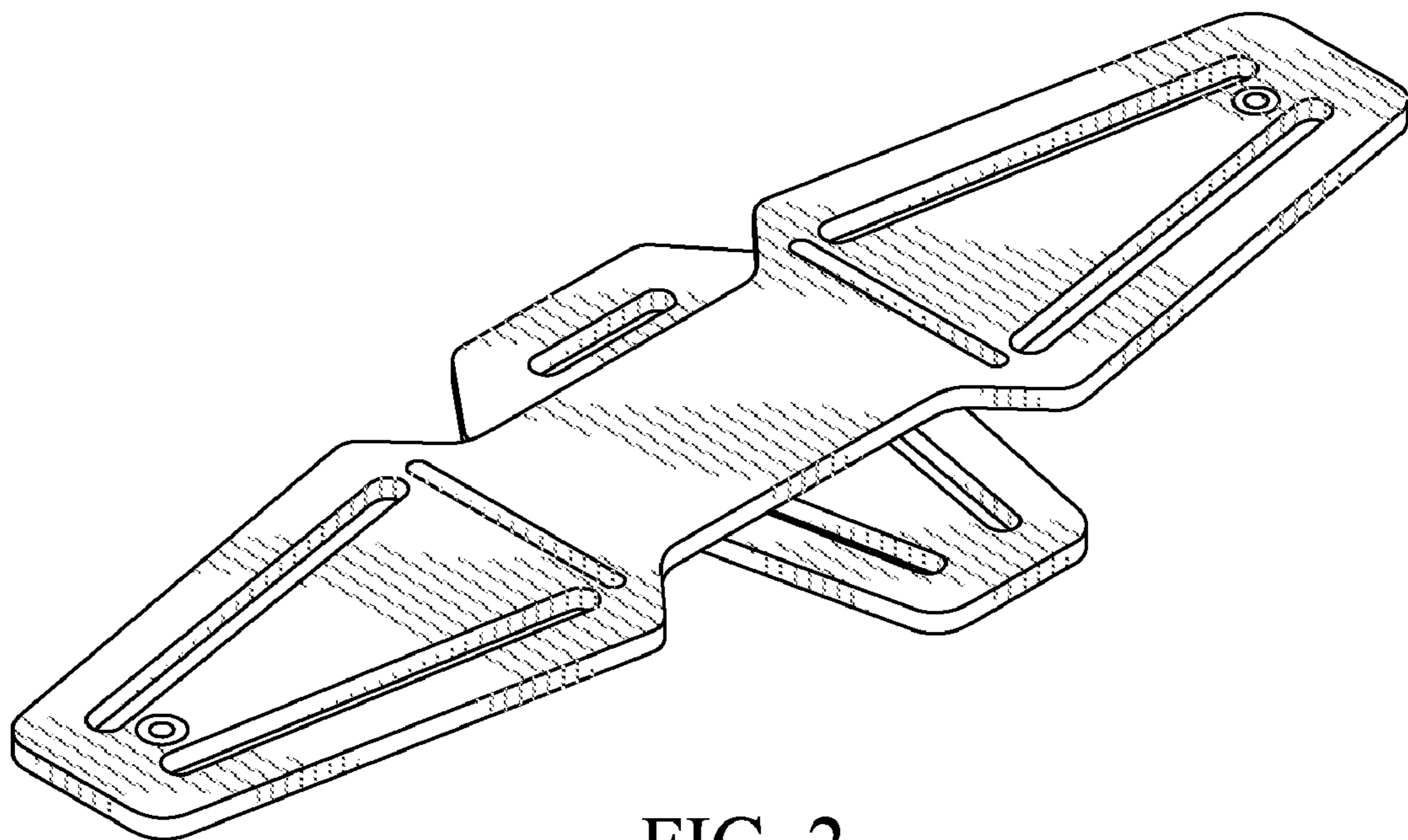


FIG. 2

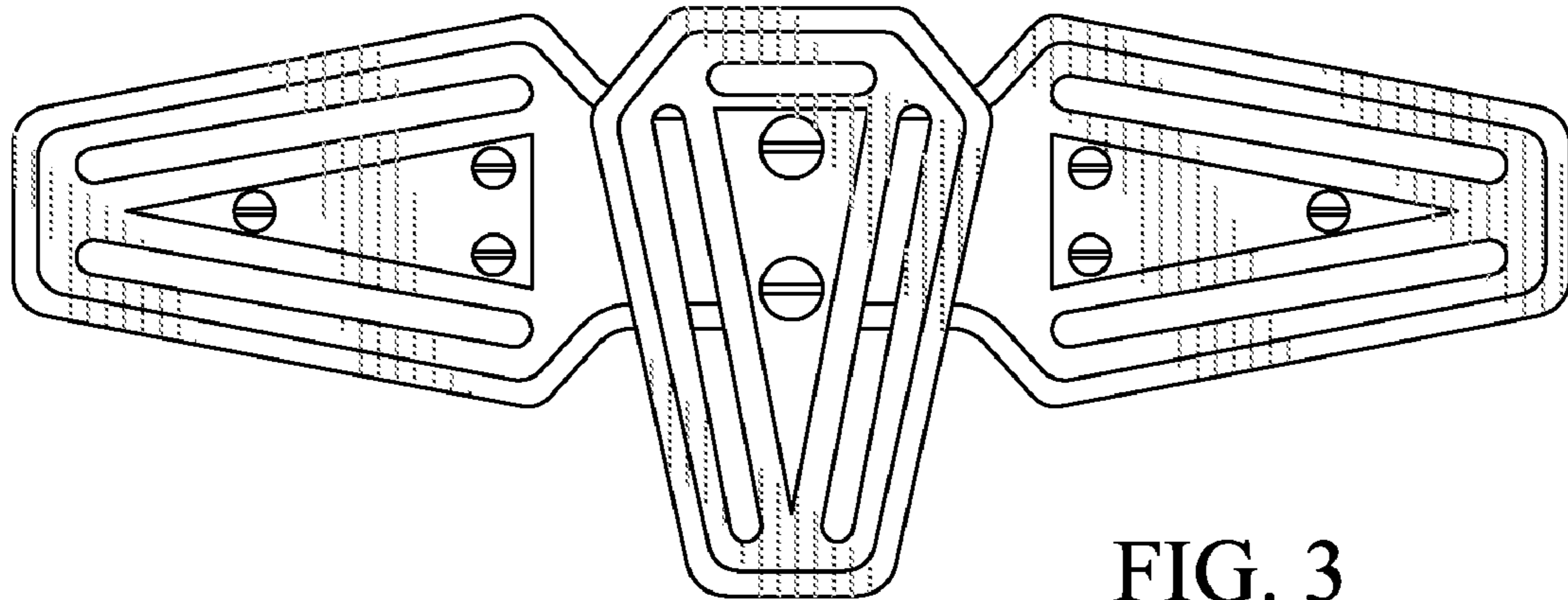


FIG. 3

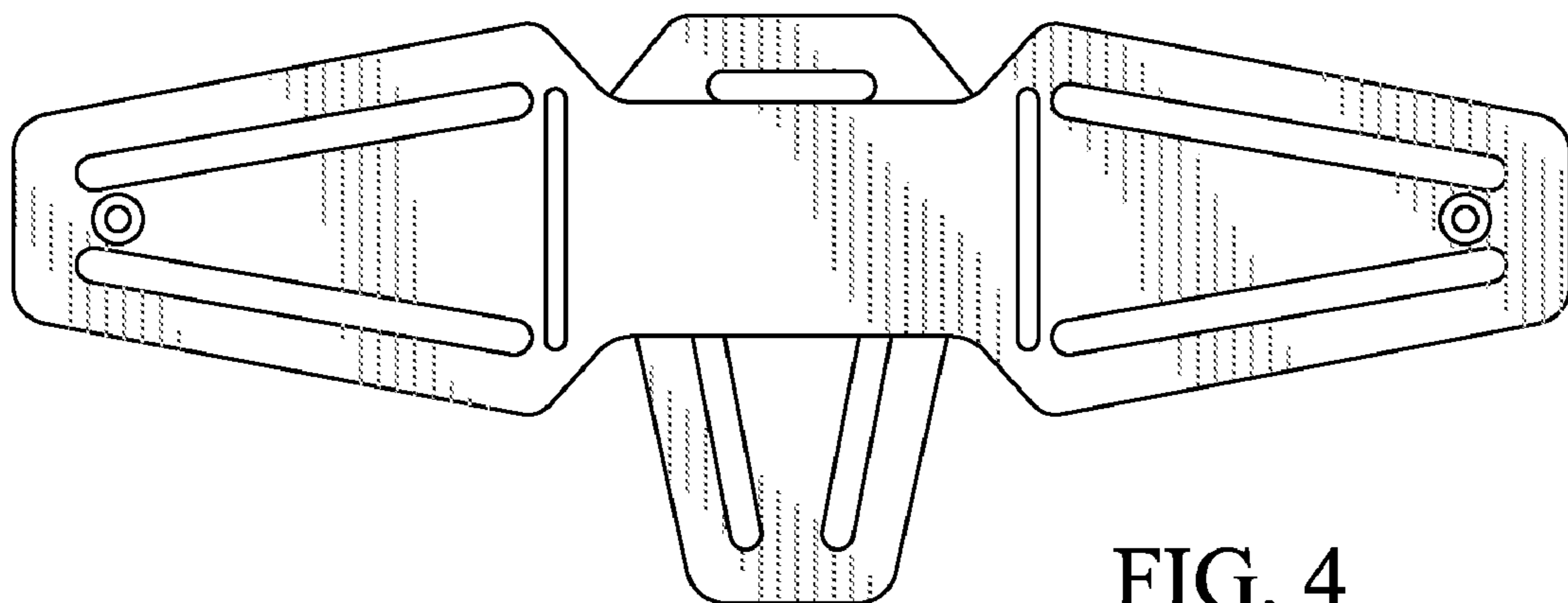


FIG. 4