

US00D568786S

(12) **United States Design Patent**
Yang et al.

(10) **Patent No.:** **US D568,786 S**

(45) **Date of Patent:** **** May 13, 2008**

(54) **BUCKLE**

D419,106 S * 1/2000 Uehara D11/218

(75) Inventors: **Shih-Sheng Yang**, Taipei Hsien (TW);
Aly Khalifa, Raleigh, NC (US)

D446,163 S * 8/2001 Chung D11/218

D458,870 S * 6/2002 Anscher D11/218

(73) Assignee: **Universal Trim Supply Co., Ltd.**,
WuKu Industrial Zone (TW)

* cited by examiner

(**) Term: **14 Years**

Primary Examiner—Ralf Seifert

(21) Appl. No.: **29/272,685**

(74) *Attorney, Agent, or Firm*—Troxell Law Office, PLLC

(22) Filed: **Feb. 15, 2007**

(57) **CLAIM**

(30) **Foreign Application Priority Data**

The ornamental design for a buckle, as shown and described.

Aug. 28, 2006 (CN) 2006 3 0137800

DESCRIPTION

(51) **LOC (8) Cl.** **02-07**

(52) **U.S. Cl.** **D11/218**

(58) **Field of Classification Search** D11/200,
D11/201, 208–210, 212–218, 220, 230–234,
D11/236–237, 86–87, 94; 24/307, 625, 616,
24/200, 196, 637, 171, 169, 112, 614, 615,
24/174, 163 R, 90.1; D3/215, 221
See application file for complete search history.

FIG. 1 is a perspective view of a buckle;

FIG. 2 is a front view thereof;

FIG. 3 is a back view thereof;

FIG. 4 is a left side view thereof;

FIG. 5 is a right side view thereof;

FIG. 6 is a top view thereof; and,

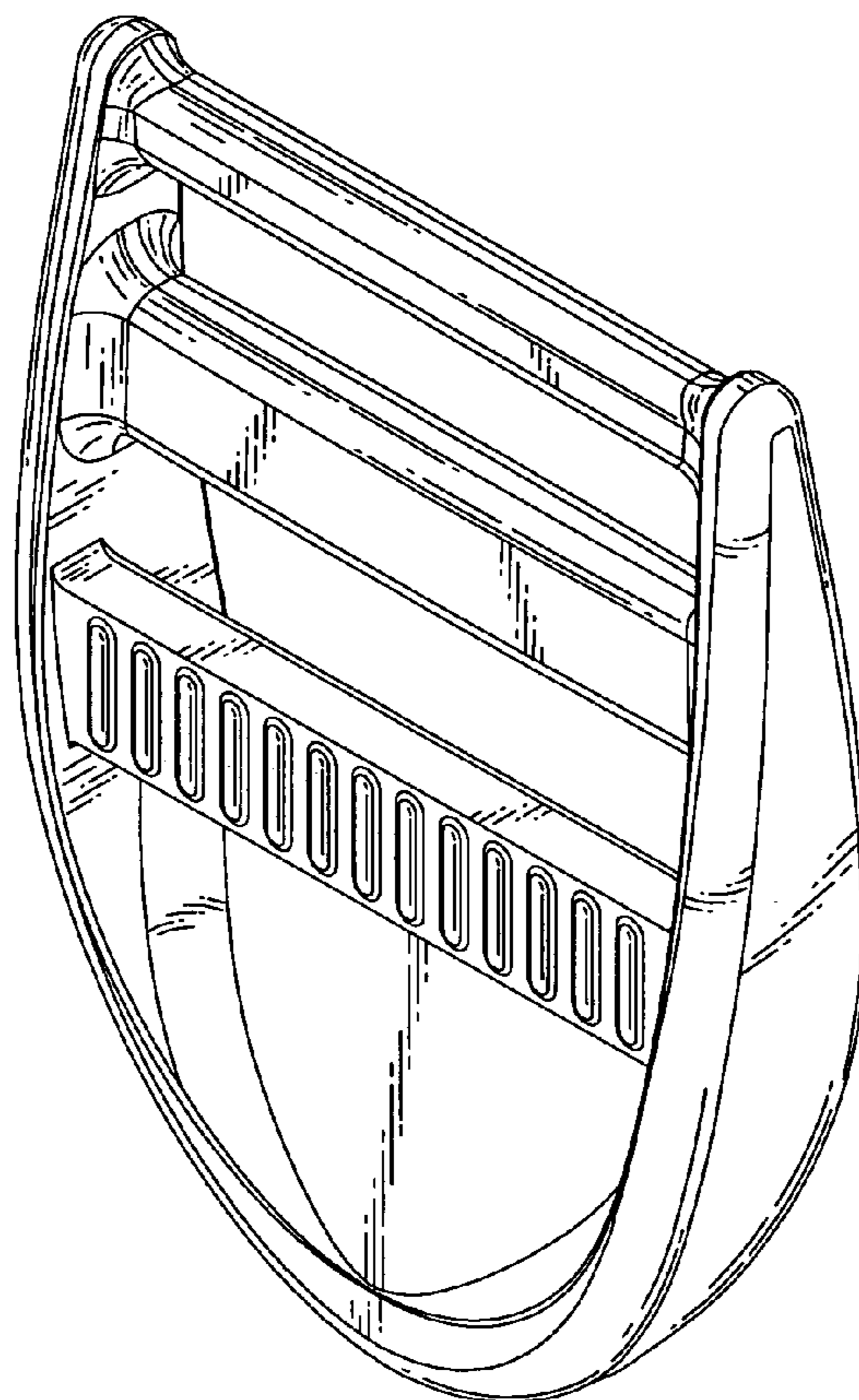
FIG. 7 is a bottom view thereof.

(56) **References Cited**

U.S. PATENT DOCUMENTS

D413,281 S * 8/1999 Uehara D11/218

1 Claim, 4 Drawing Sheets



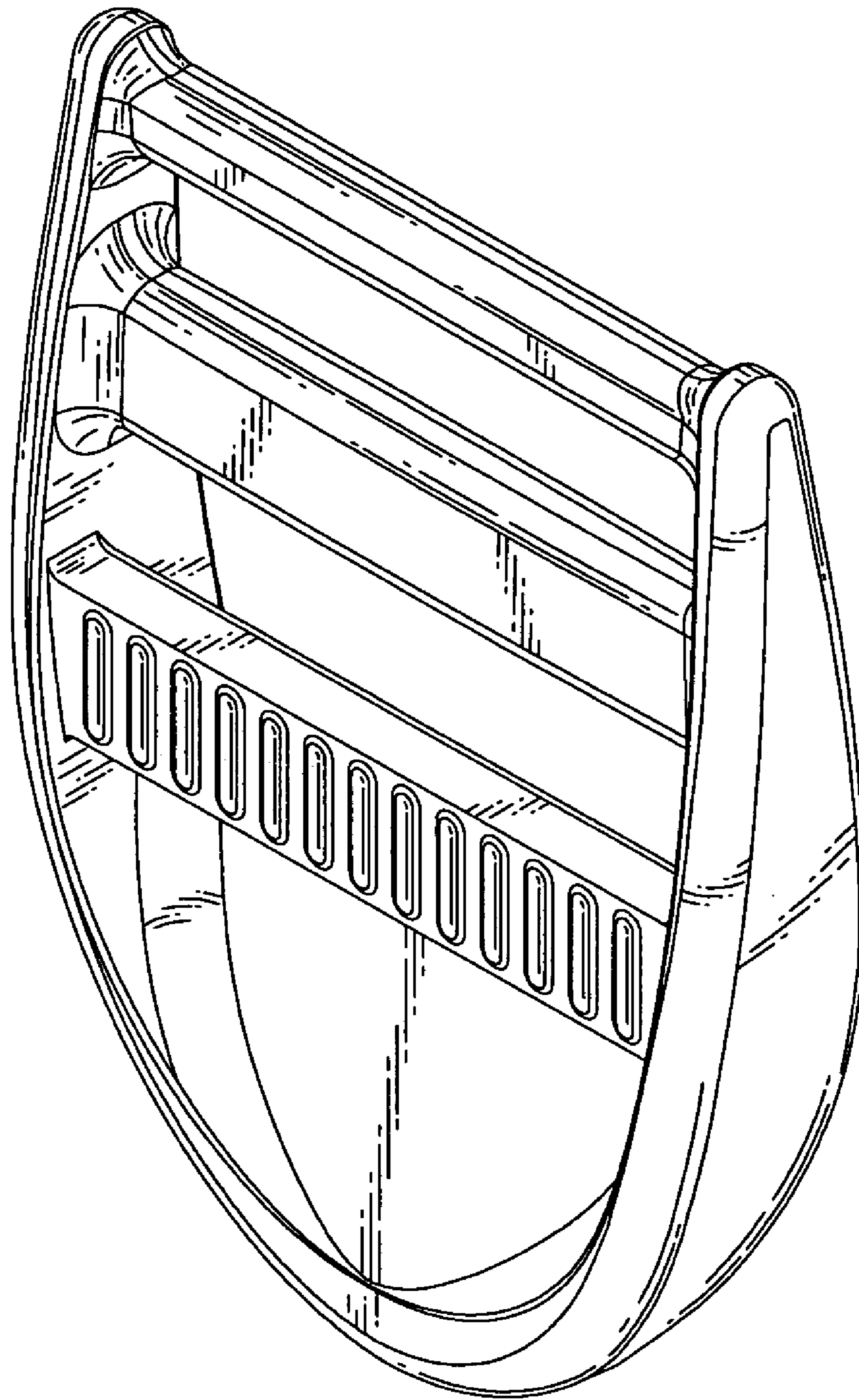


FIG. 1

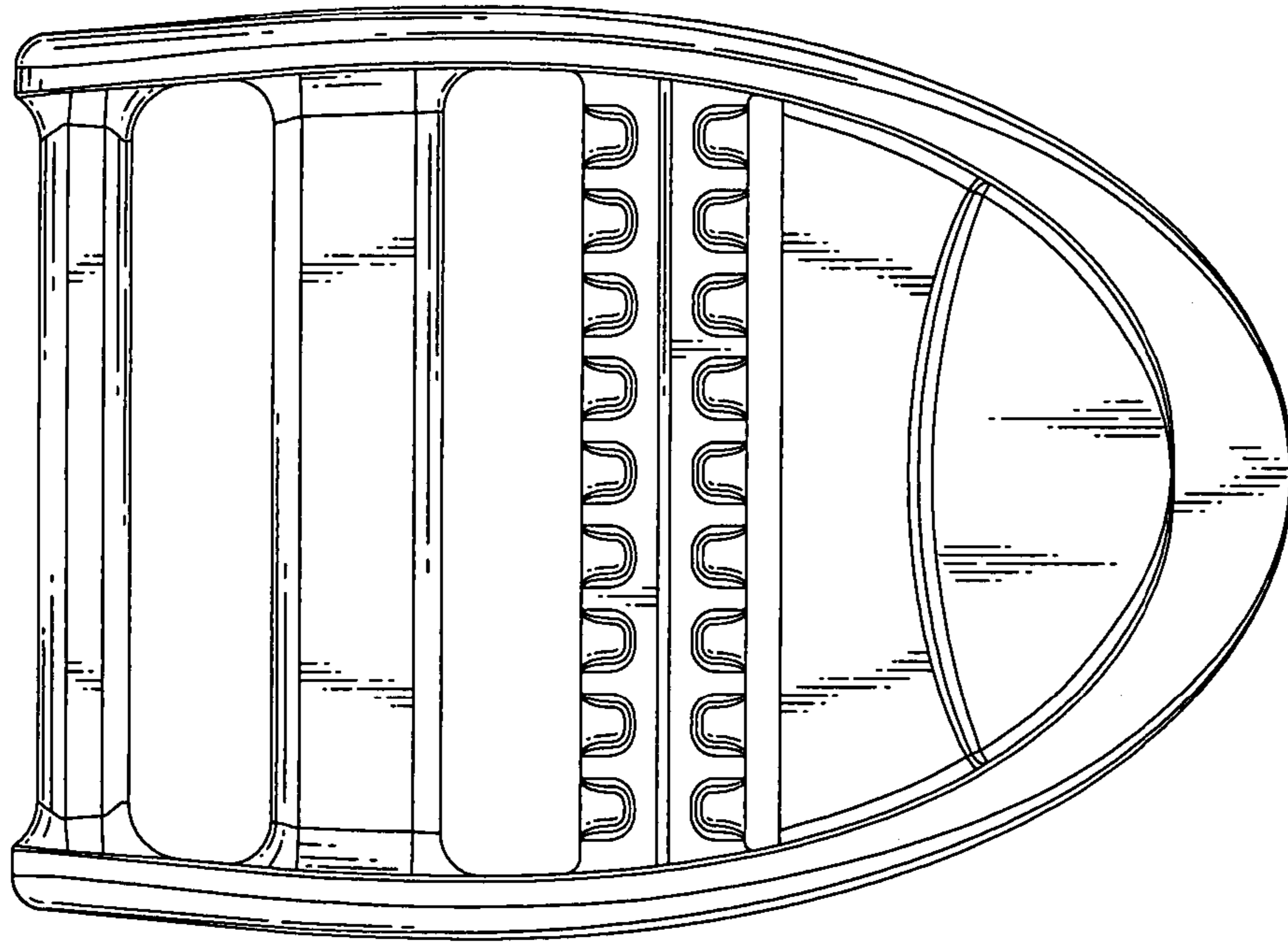


FIG. 2

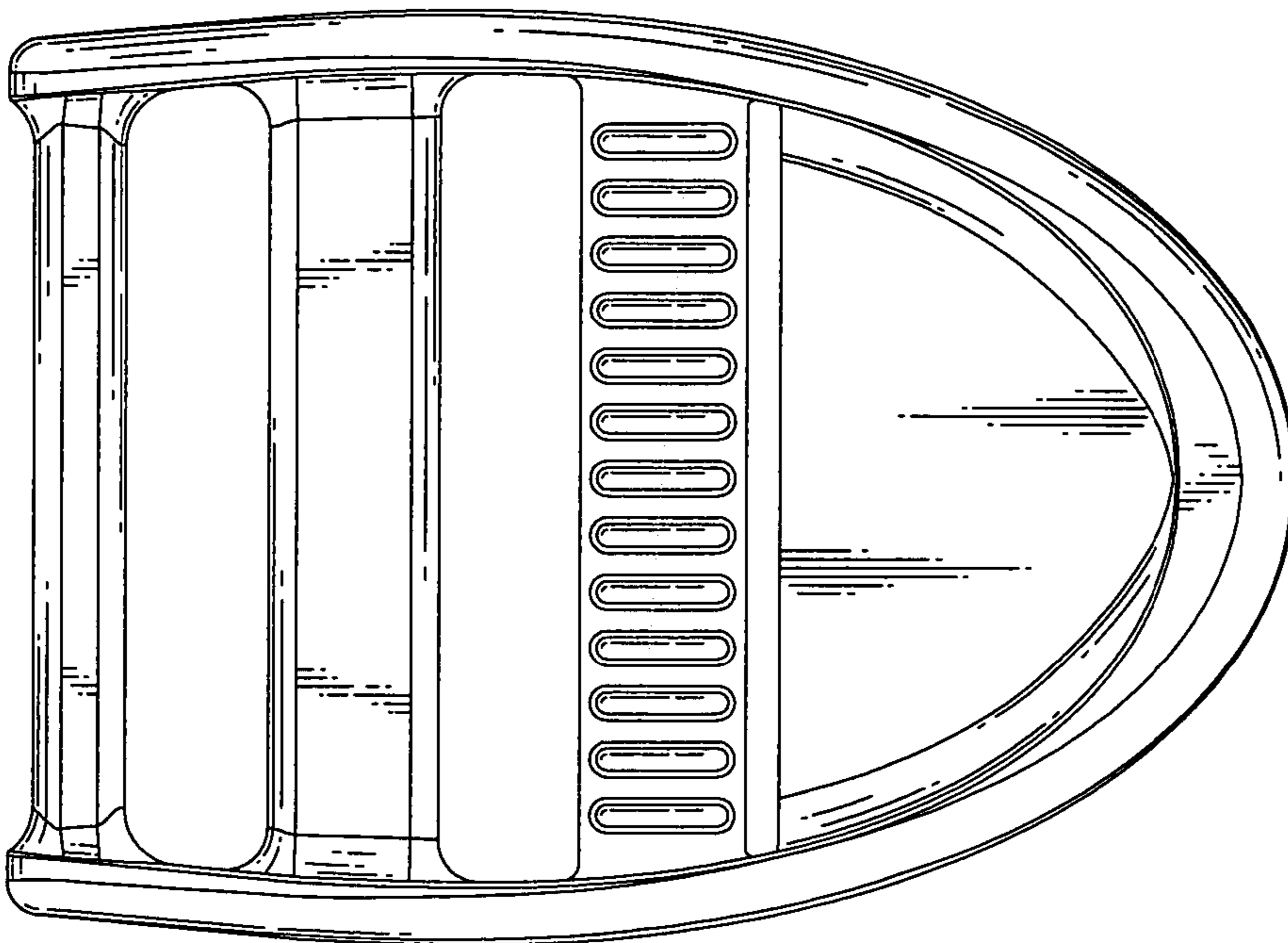


FIG. 3

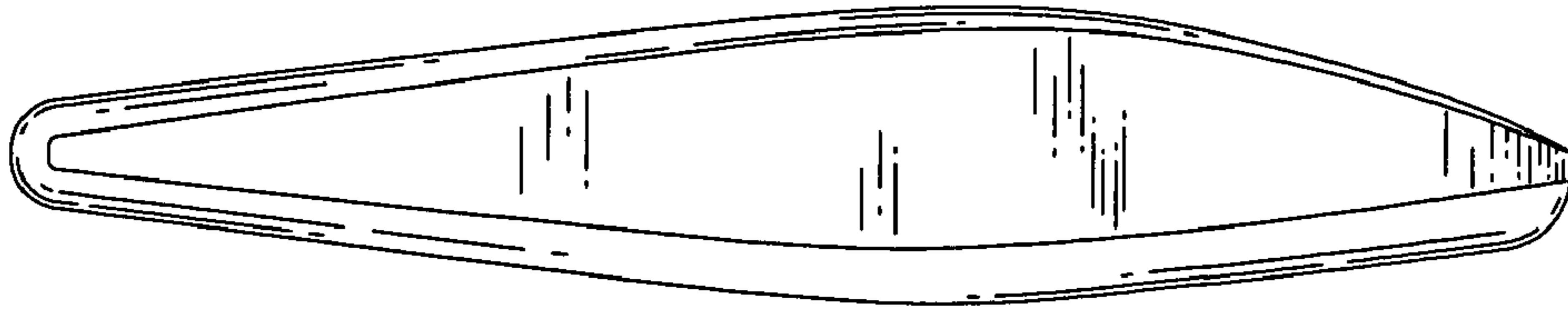


FIG. 5

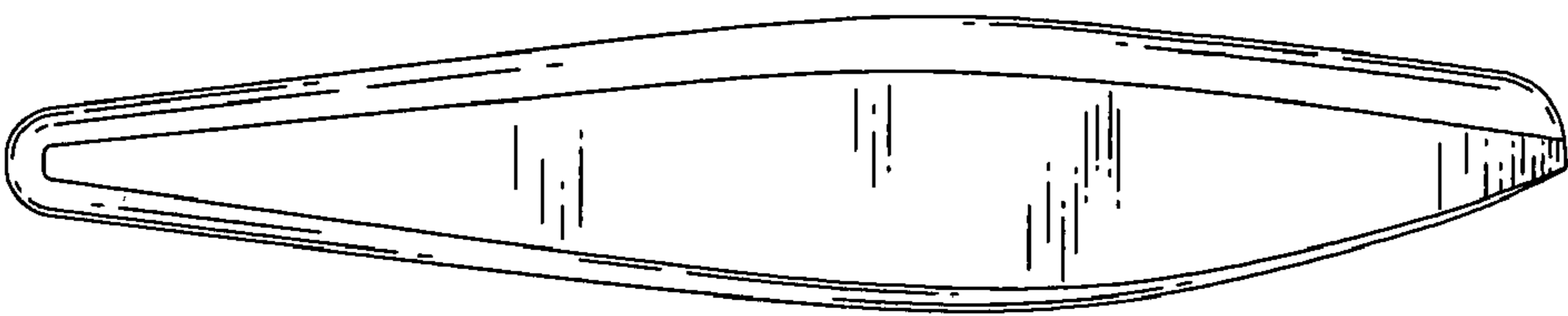


FIG. 4

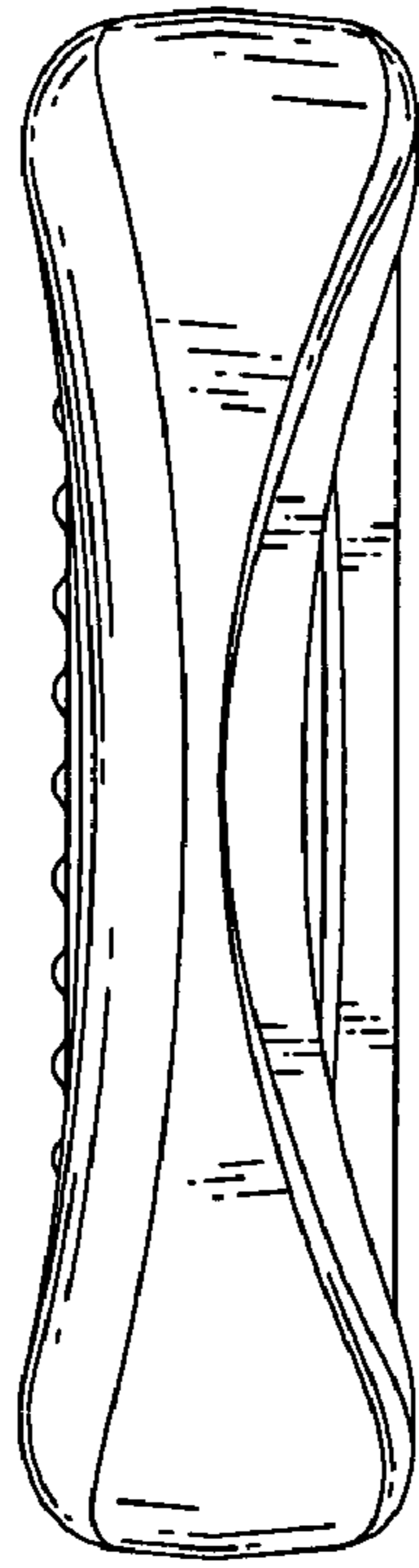


FIG. 7

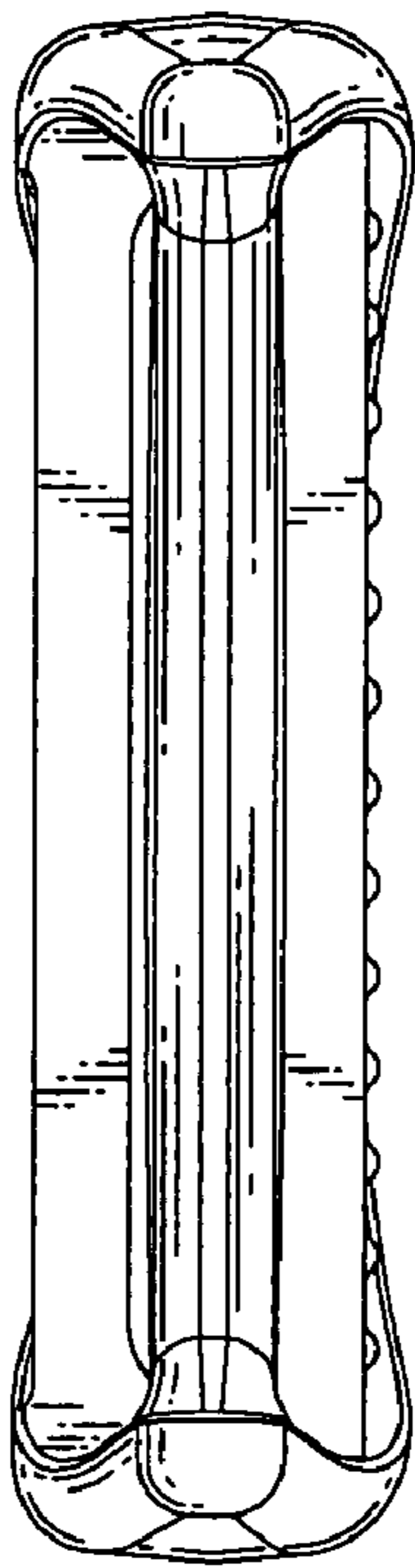


FIG. 6