



US00D568785S

(12) **United States Design Patent**
Yang et al.

(10) **Patent No.:** **US D568,785 S**

(45) **Date of Patent:** **** May 13, 2008**

(54) **WOVEN TAPE ADJUSTING FASTENER**

D341,335 S * 11/1993 Himbeeck D11/215

D349,398 S * 8/1994 Ezzo D3/208

D379,558 S * 6/1997 Mischenko et al. D3/215

(75) Inventors: **Shih-Sheng Yang**, Taipei Hsien (TW);
Aly Khalifa, St. Raleigh, NC (US)

(73) Assignee: **Universal Trim Supply Co., Ltd.**, Wu
Ku Industrial Zone (TW)

* cited by examiner

Primary Examiner—Ralf Seifert

(74) *Attorney, Agent, or Firm*—Troxell Law Office, PLLC

(**) Term: **14 Years**

(21) Appl. No.: **29/272,683**

(57) **CLAIM**

(22) Filed: **Feb. 15, 2007**

The ornamental design for a woven tape adjusting fastener,
as shown and described.

(30) **Foreign Application Priority Data**

Aug. 28, 2006 (CN) 2006 3 0136706

DESCRIPTION

(51) **LOC (8) Cl.** **02-07**

(52) **U.S. Cl.** **D11/218; D11/200**

(58) **Field of Classification Search** D11/200,
D11/201, 208–210, 212–218, 220, 230–234,
D11/236–237, 86–87, 94; 24/307, 625, 616,
24/200, 196, 637, 171, 169, 112, 614, 615,
24/174, 163 R, 90.1; D3/215, 221

FIG. 1 is a perspective view of a woven tape adjusting
fastener;

FIG. 2 is a front view thereof;

FIG. 3 is a back view thereof;

FIG. 4 is a left side view thereof;

FIG. 5 is a right side view thereof;

FIG. 6 is a top view thereof; and,

FIG. 7 is a bottom view thereof.

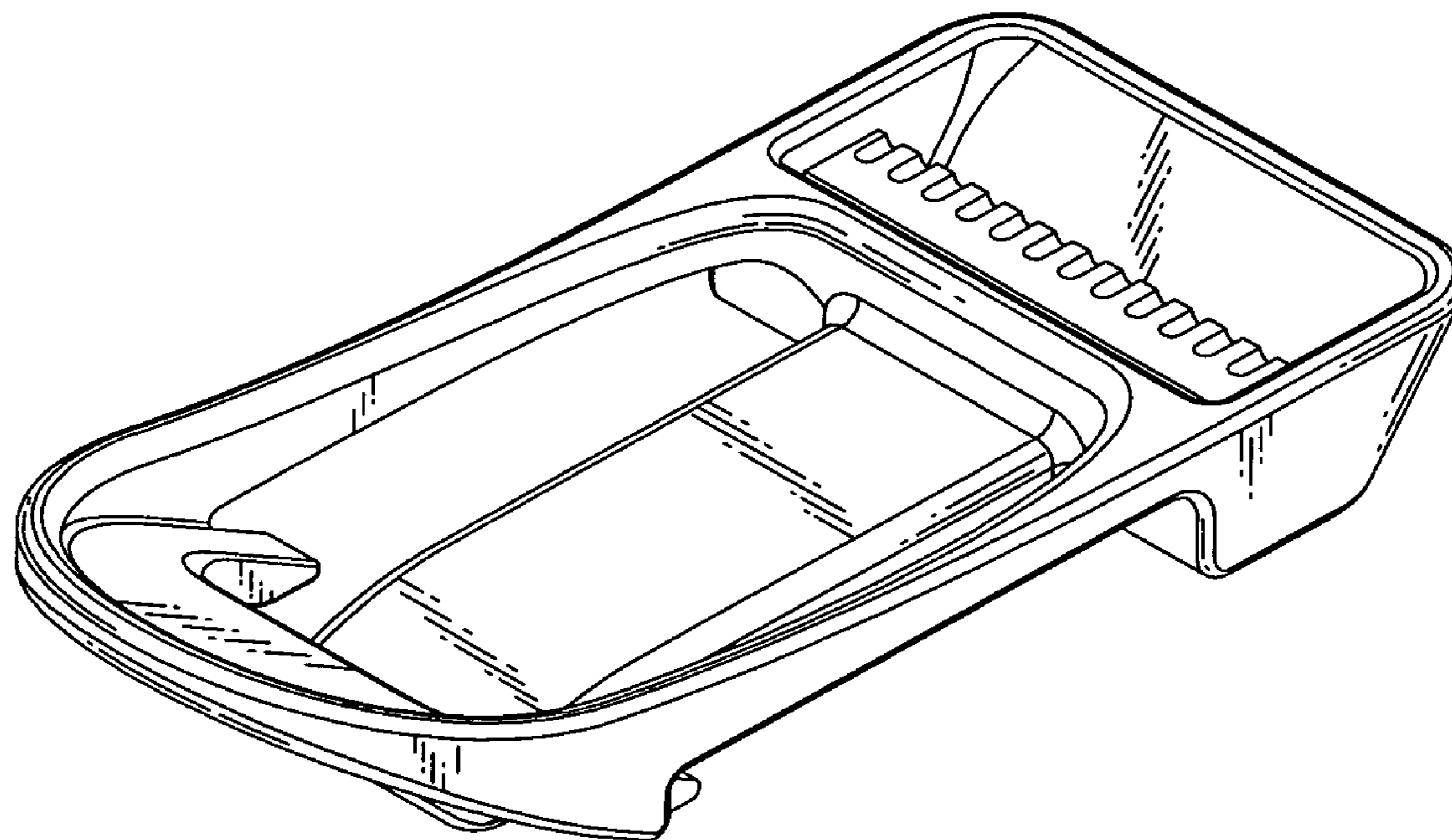
See application file for complete search history.

(56) **References Cited**

U.S. PATENT DOCUMENTS

D316,484 S * 4/1991 Kounis et al. D3/221

1 Claim, 4 Drawing Sheets



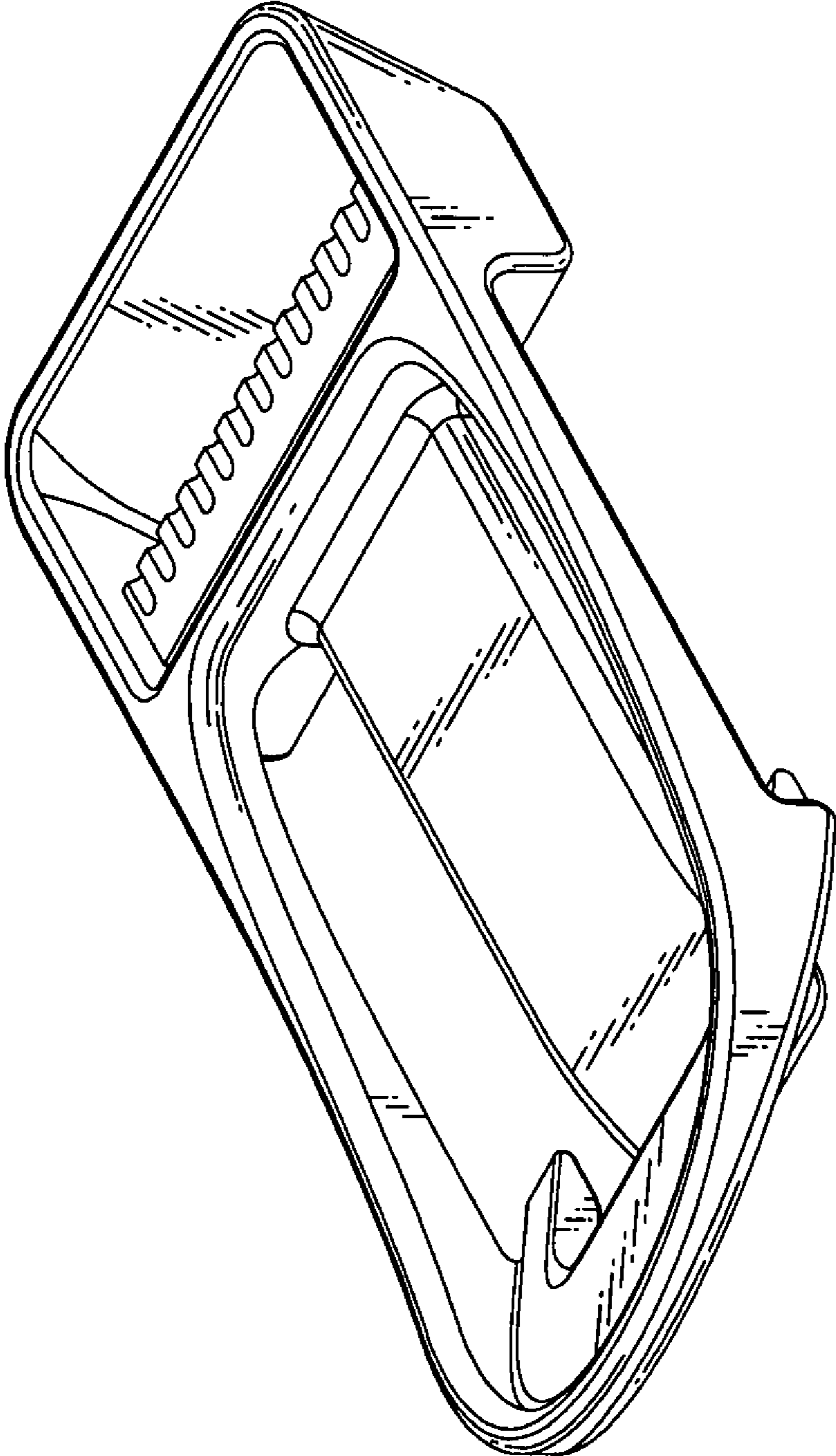


FIG. 1

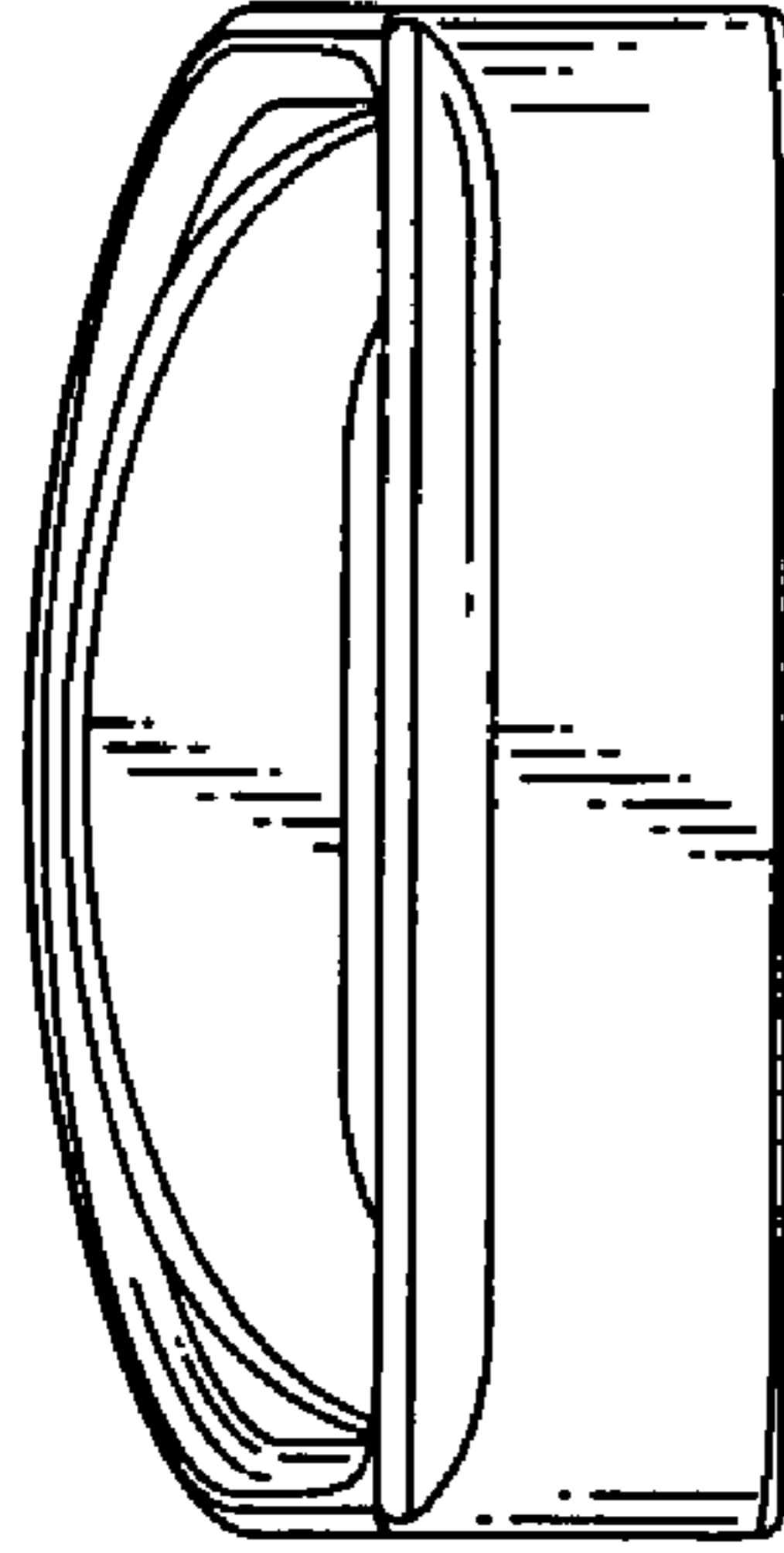


FIG. 3

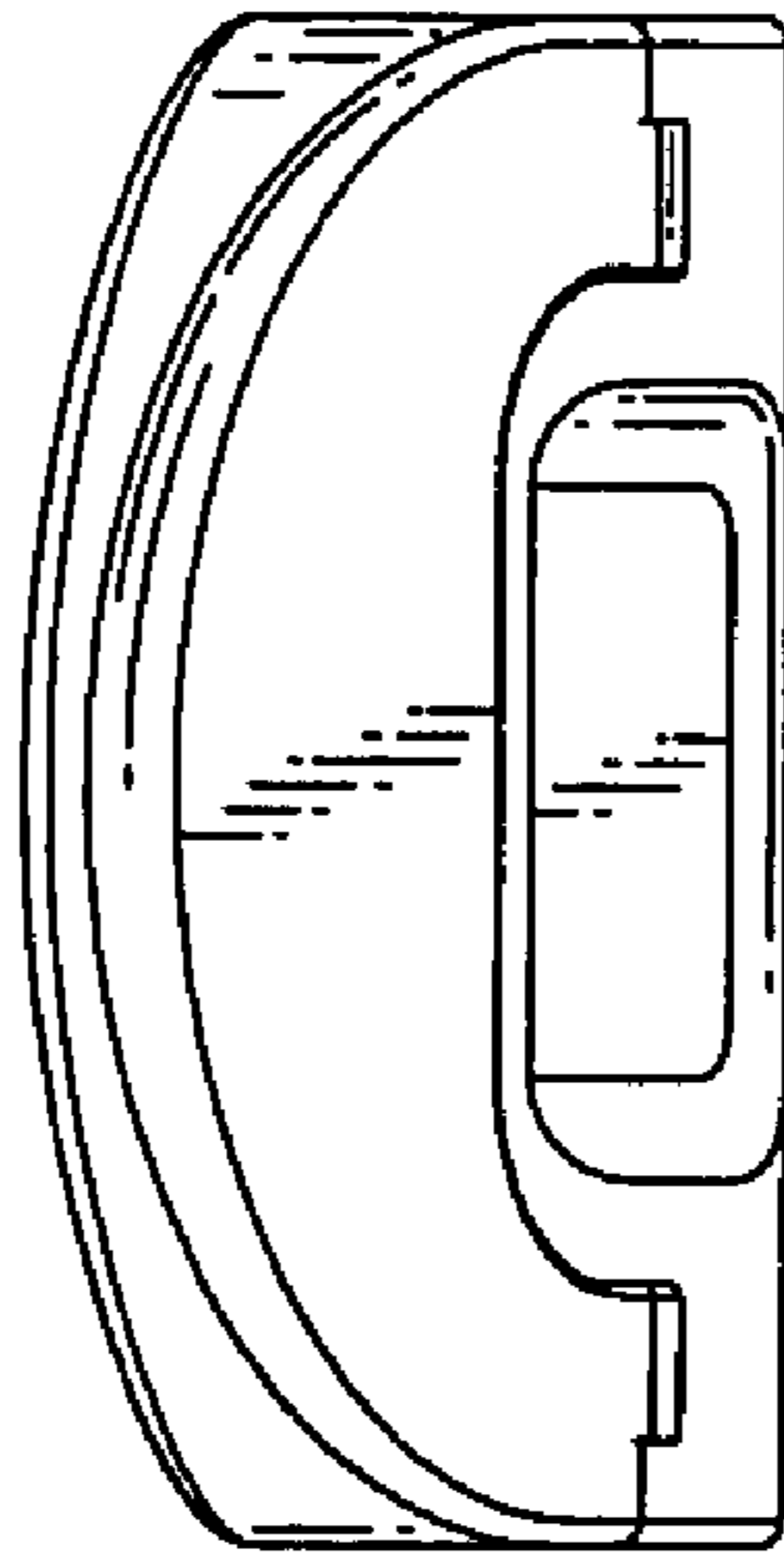


FIG. 2

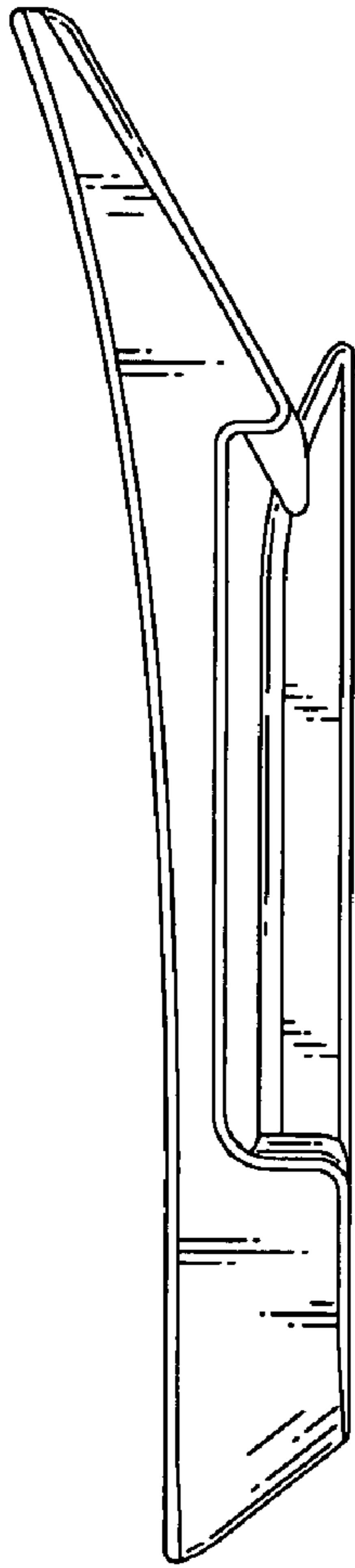


FIG. 4

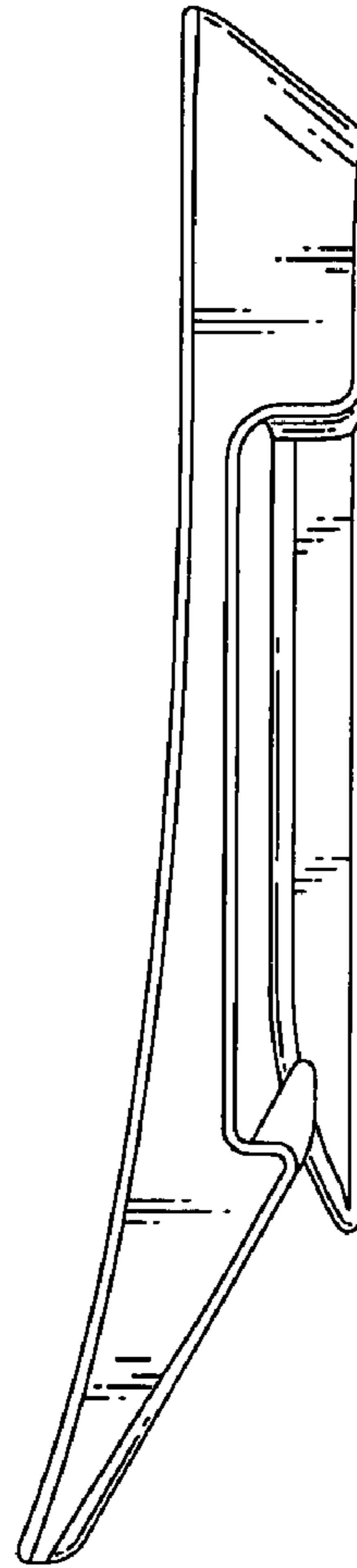


FIG. 5

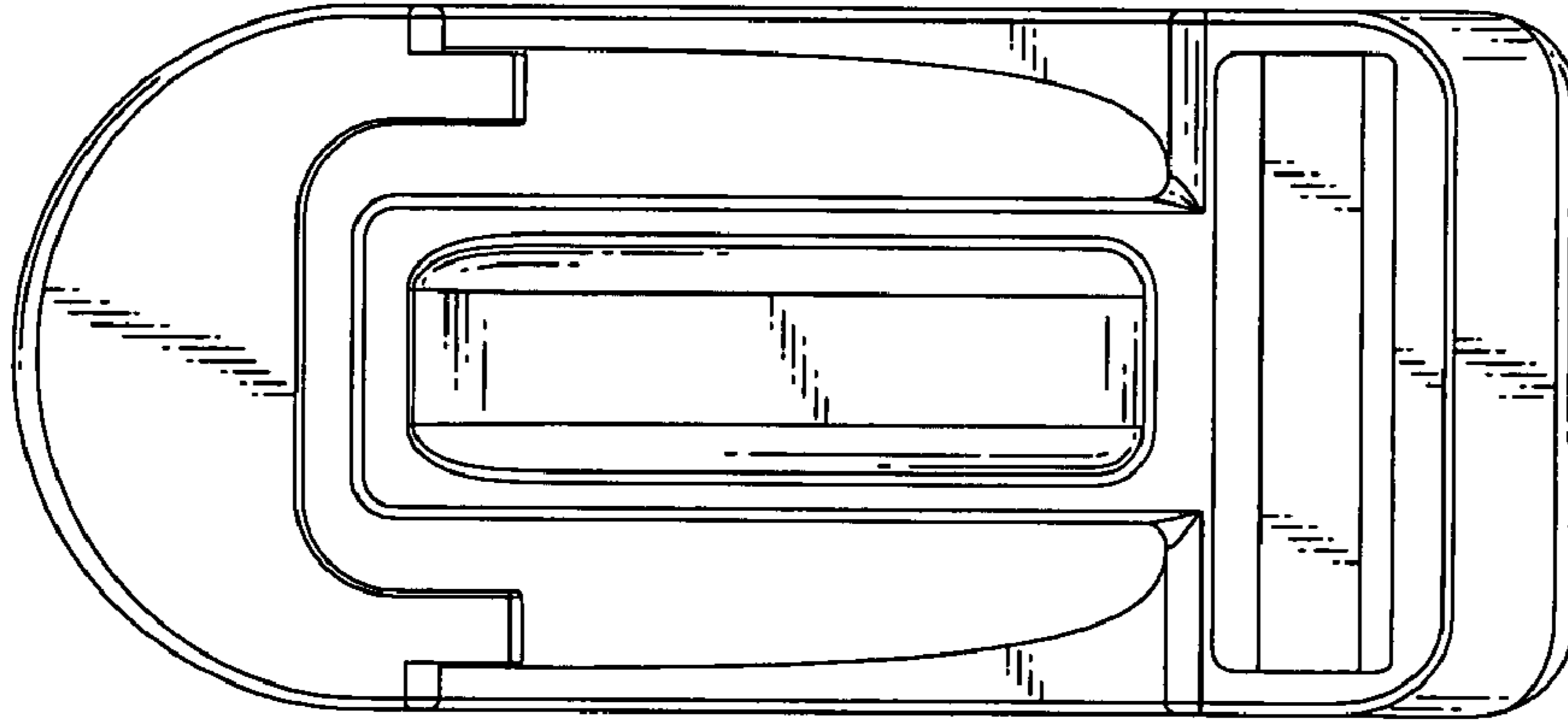


FIG. 7

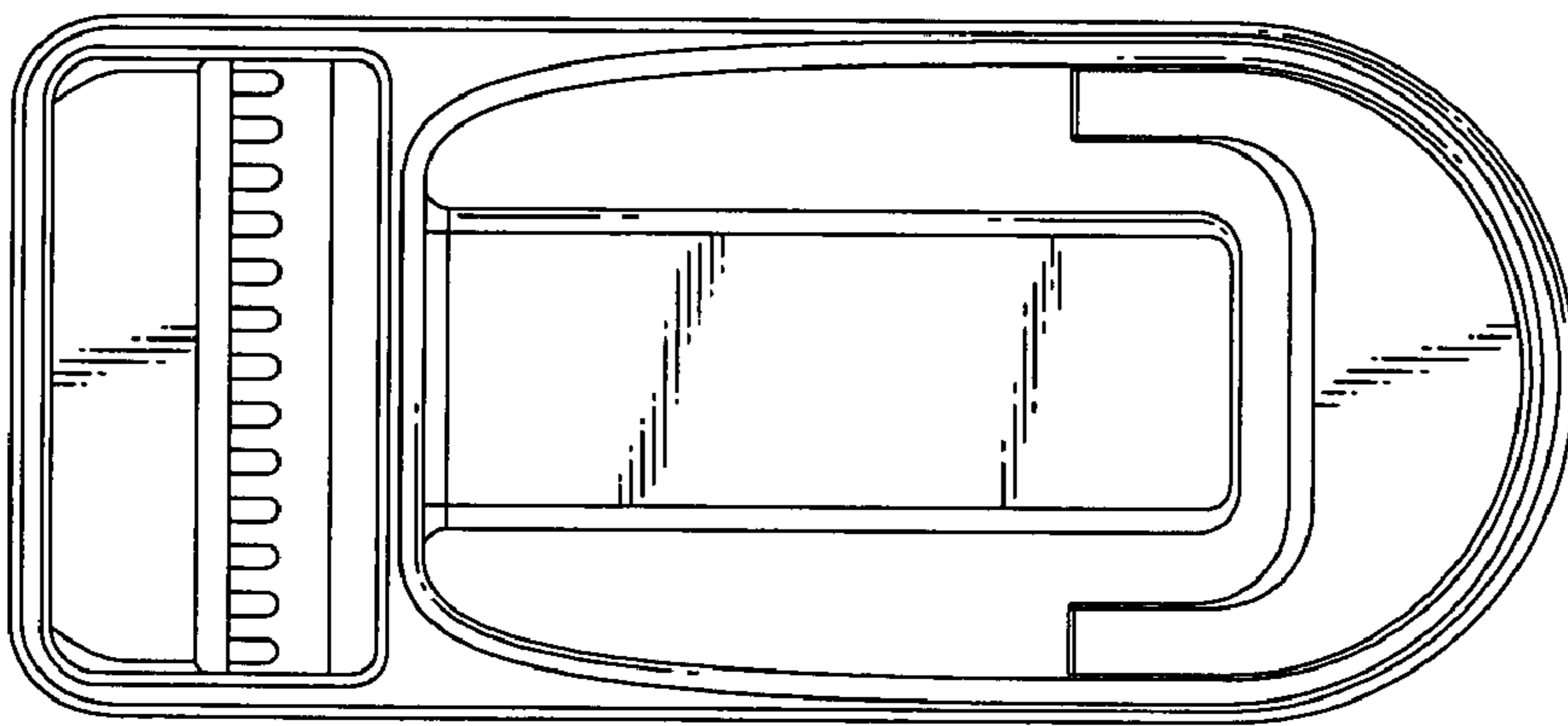


FIG. 6