



US00D568779S

(12) **United States Design Patent** (10) **Patent No.:** **US D568,779 S**
Birkmann et al. (45) **Date of Patent:** **** May 13, 2008**

(54) **PUMPKIN SUPPORT AND DECORATING DEVICE**

(75) Inventors: **Vicky Jo Birkmann**, Corona, CA (US); **Timothy Andrew Birkmann**, Corona, CA (US); **Thomas Charles Weiss**, Lake Forest, CA (US); **Joseph Francis Conte**, Lake Forest, CA (US)

(73) Assignee: **Timothy A. Birkmann**, Corona, CA (US)

(**) Term: **14 Years**

(21) Appl. No.: **29/227,670**

(22) Filed: **Apr. 14, 2005**

(51) **LOC (8) Cl.** **11-05**

(52) **U.S. Cl.** **D11/125; D11/117; D11/127**

(58) **Field of Classification Search** D11/121, D11/125, 127, 128, 131, 134, 135, 136, 117, D11/157, 158, 160; D2/610, 615, 616, 617, D2/623; D21/576, 621, 627, 658, 659, 661; 2/158, 159, 161.6; 428/7, 8, 9, 11, 12
See application file for complete search history.

(56) **References Cited**

U.S. PATENT DOCUMENTS

732,806	A *	7/1903	Wolfeet	40/540
4,140,340	A	2/1979	Cloutier	
D324,606	S *	3/1992	Strauss	D2/617
5,733,170	A *	3/1998	Wotton	446/385
D393,186	S *	4/1998	Allison	D7/689
6,145,795	A	11/2000	McAdam et al.	
D444,411	S *	7/2001	Glaubitz	D11/128
6,422,525	B1	7/2002	McAdam et al.	
6,527,544	B1	3/2003	Salter et al.	

D473,018	S *	4/2003	Ford	D28/56
6,546,654	B1	4/2003	Henson	
6,681,469	B2	1/2004	Damon	
D500,669	S *	1/2005	Kelleghan	D8/356
D515,453	S *	2/2006	Jacob	D11/54
2002/0125380	A1 *	9/2002	Brehmer et al.	248/121
2003/0026934	A1 *	2/2003	Damon	428/43
2003/0106133	A1 *	6/2003	Novak	2/161.6
2003/0204893	A1 *	11/2003	Chou	2/161.6

* cited by examiner

Primary Examiner—Stella M. Reid

Assistant Examiner—Elizabeth J Oswecki

(74) *Attorney, Agent, or Firm*—Stetina Brunda Garred & Brucker

(57) **CLAIM**

The ornamental design for a pumpkin support and decorating device, as shown and described.

DESCRIPTION

FIG. 1 is a top perspective view of the pumpkin support and decorating device of the present invention showing our new design;

FIG. 2 is a top plan view thereof;

FIG. 3 is a front elevational view thereof;

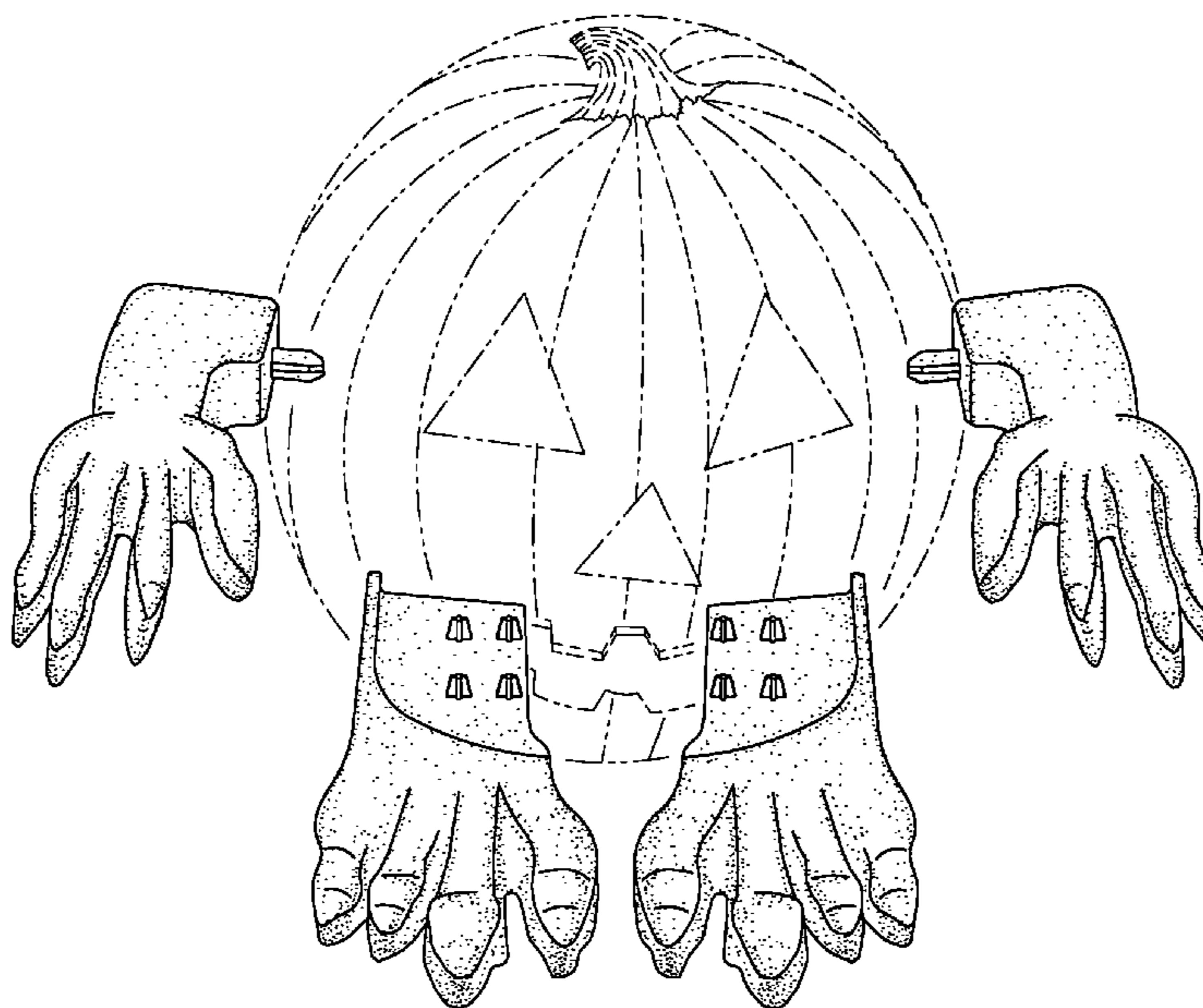
FIG. 4 is a side elevational view thereof; and,

FIG. 5 is rear elevational view thereof.

The broken line showing of the pumpkin support and decorating device in FIGS. 1–5 is for the purpose of illustrating only and forms no part of the claimed design.

All surfaces not shown form no part of the claimed design.

1 Claim, 3 Drawing Sheets



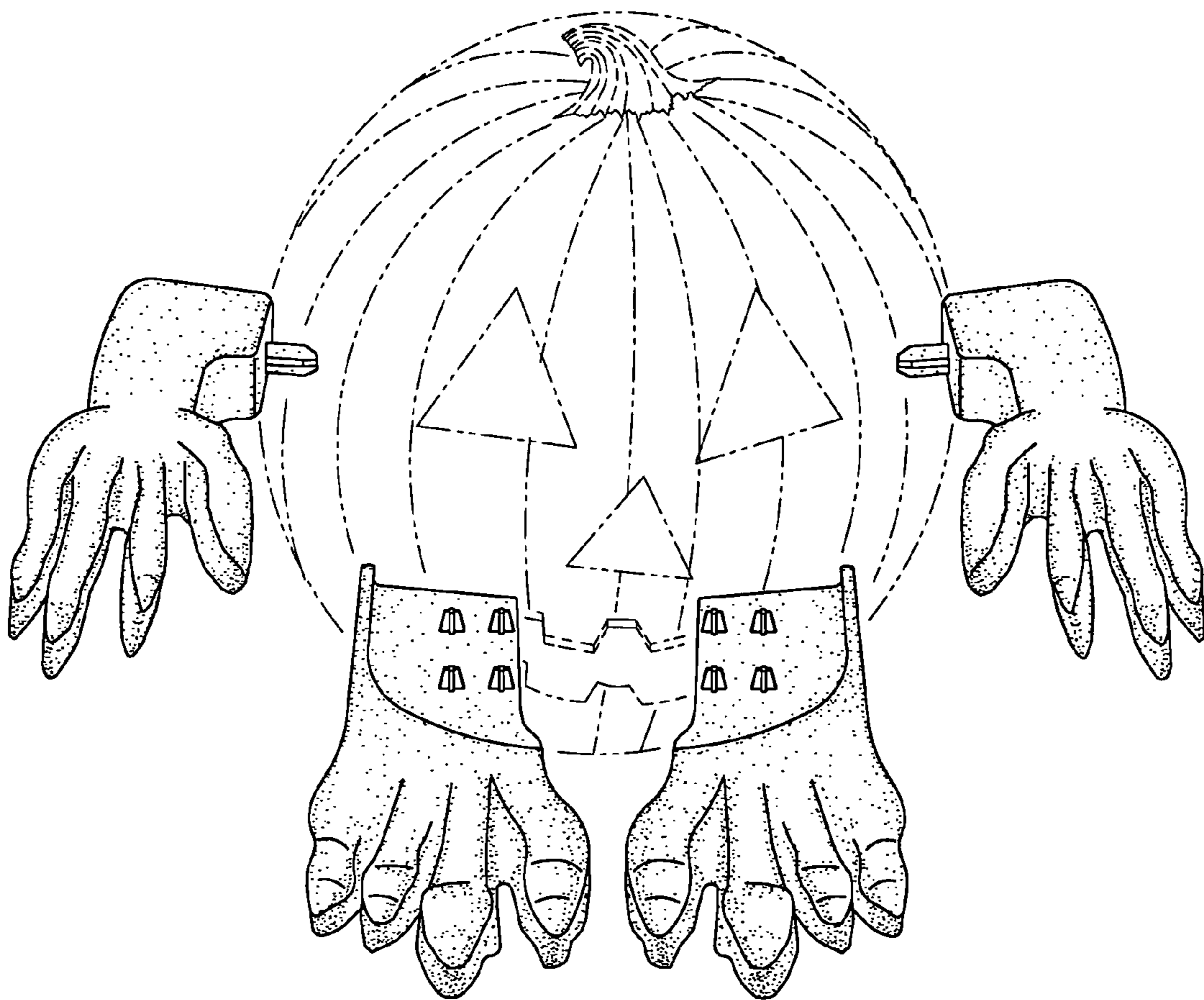


Fig. 1

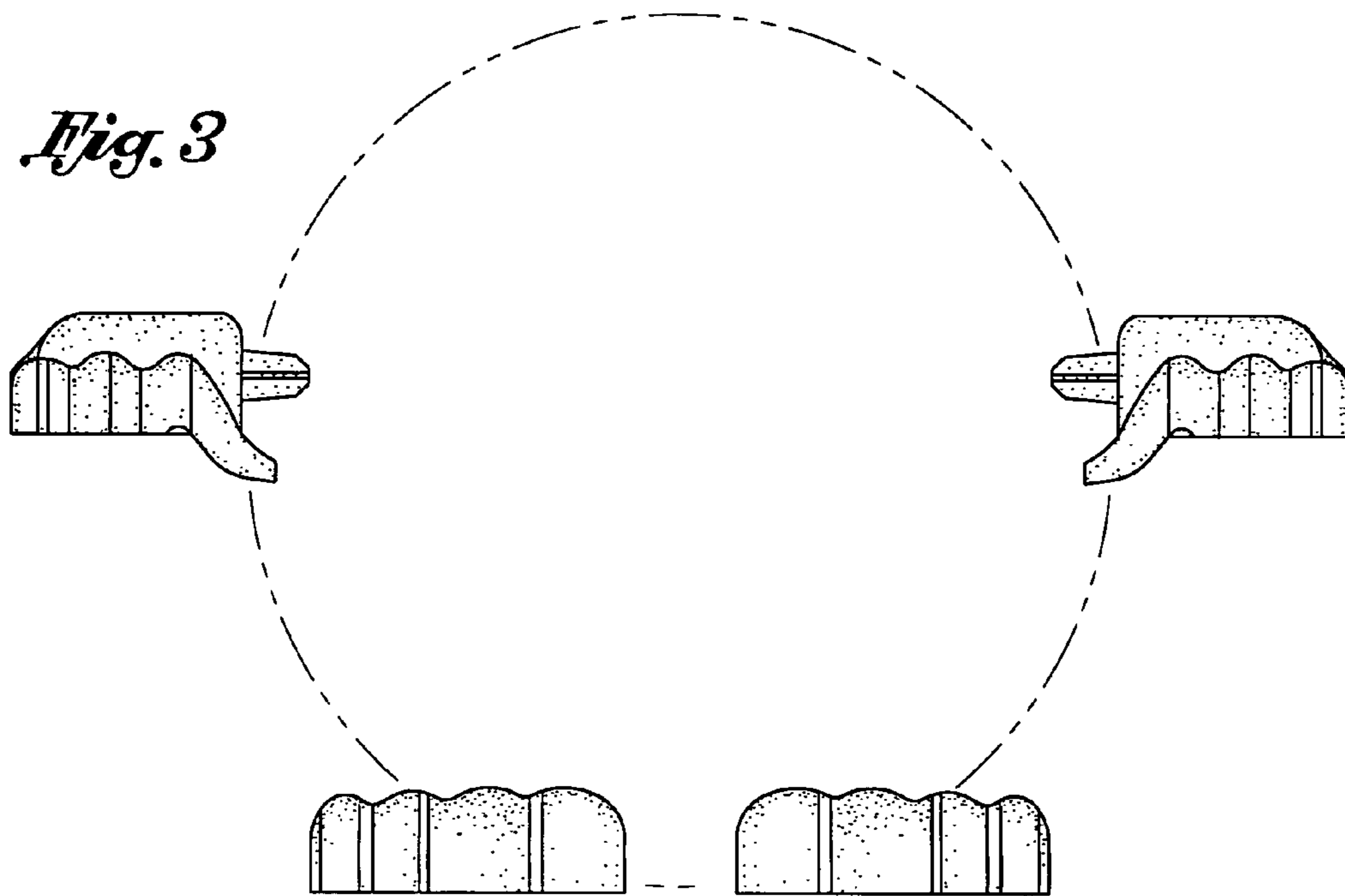
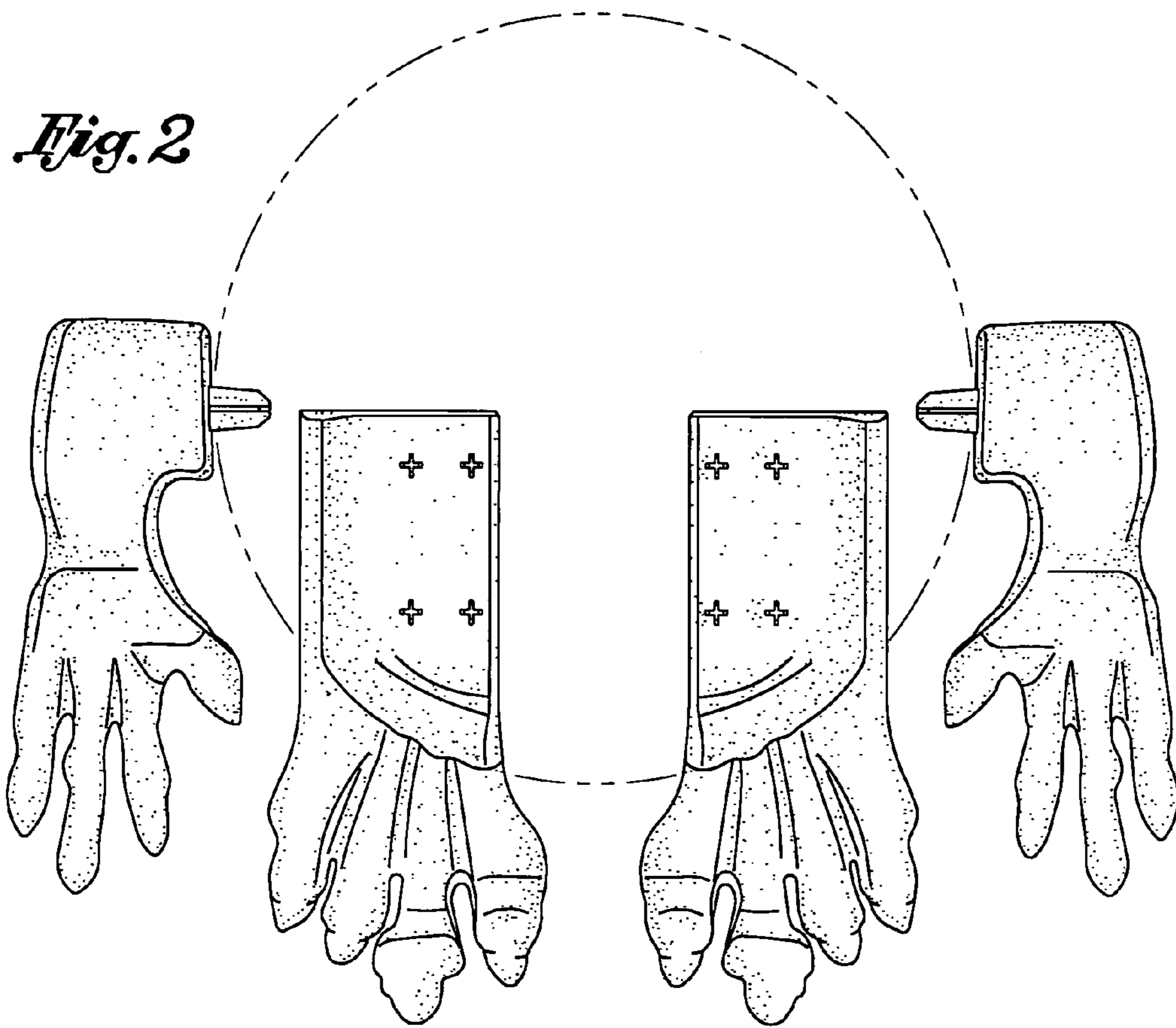


Fig. 4

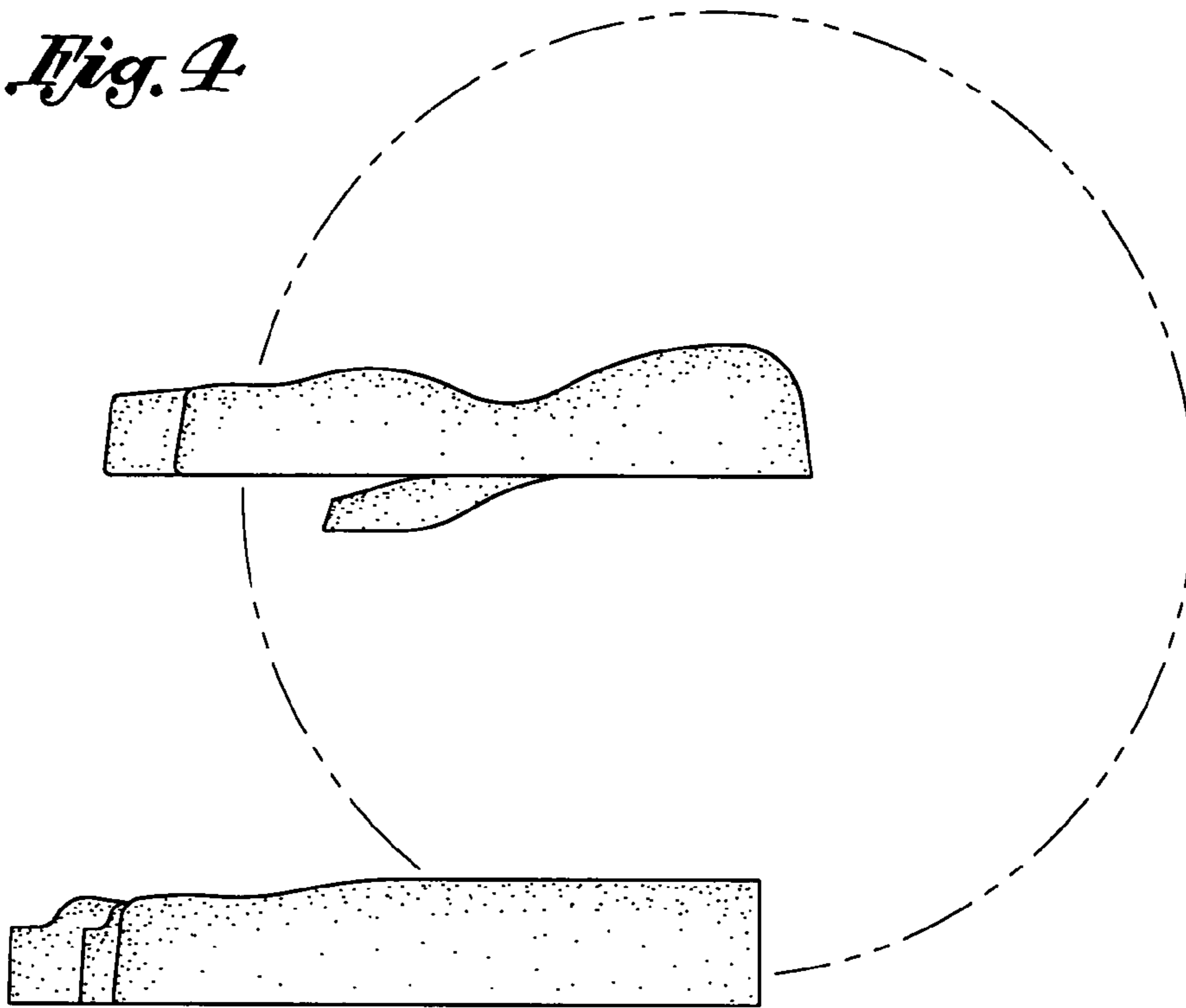


Fig. 5

