



US00D568773S

(12) **United States Design Patent**
Hori

(10) **Patent No.:** **US D568,773 S**
(45) **Date of Patent:** **** May 13, 2008**

(54) **CAR NAVIGATION SYSTEM**

FOREIGN PATENT DOCUMENTS

(75) Inventor: **Tomoo Hori**, Kadoma (JP)
(73) Assignee: **Matsushita Electric Industrial Co., Ltd.**, Osaka (JP)

JP	D 1135958	3/2002
JP	D 1181166	8/2003
JP	D 1181167	8/2003
JP	D 1230764	2/2005
JP	D 1231648	2/2005

(**) Term: **14 Years**

* cited by examiner

(21) Appl. No.: **29/288,893**

Primary Examiner—Antoine D. Davis

(22) Filed: **Jun. 26, 2007**

(74) *Attorney, Agent, or Firm*—Brinks Hofer Gilson & Lione

(30) **Foreign Application Priority Data**

(57) **CLAIM**

Mar. 6, 2007 (JP) 2007-005718

I claim the ornamental design for a car navigation system, as shown and described.

(51) **LOC (8) Cl.** **10-04**

(52) **U.S. Cl.** **D10/65**

(58) **Field of Classification Search** D10/65,
D10/80; D14/347; 342/351, 419, 457, 357.06–357.13;
343/702; 345/87, 104, 133, 156, 168, 173,
345/901–905; 348/180, 184, 315, 739; 364/444,
364/499; 701/206–209, 213, 214
See application file for complete search history.

DESCRIPTION

FIG. 1 is a front perspective view of a car navigation system of the present invention;
FIG. 2 is a front view thereof;
FIG. 3 is a top view thereof;
FIG. 4 is a bottom view thereof;
FIG. 5 is a first side view thereof;
FIG. 6 is a second side view thereof; and,
FIG. 7 is a rear view thereof.

(56) **References Cited**

U.S. PATENT DOCUMENTS

D539,677 S	*	4/2007	Riddiford	D10/65
D540,205 S	*	4/2007	Hsu	D10/65
D543,875 S	*	6/2007	Skelton et al.	D10/65

1 Claim, 3 Drawing Sheets

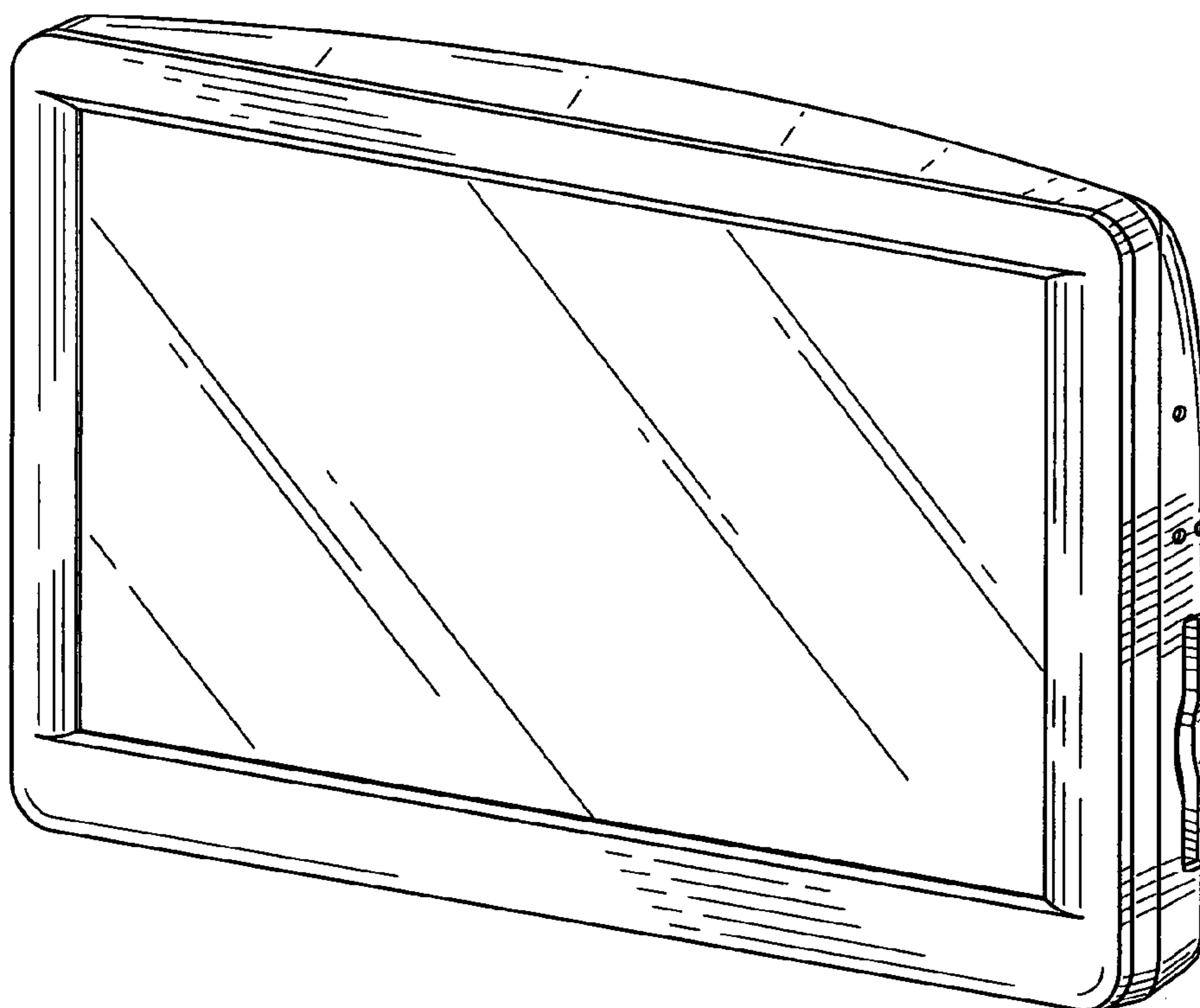


FIG.1

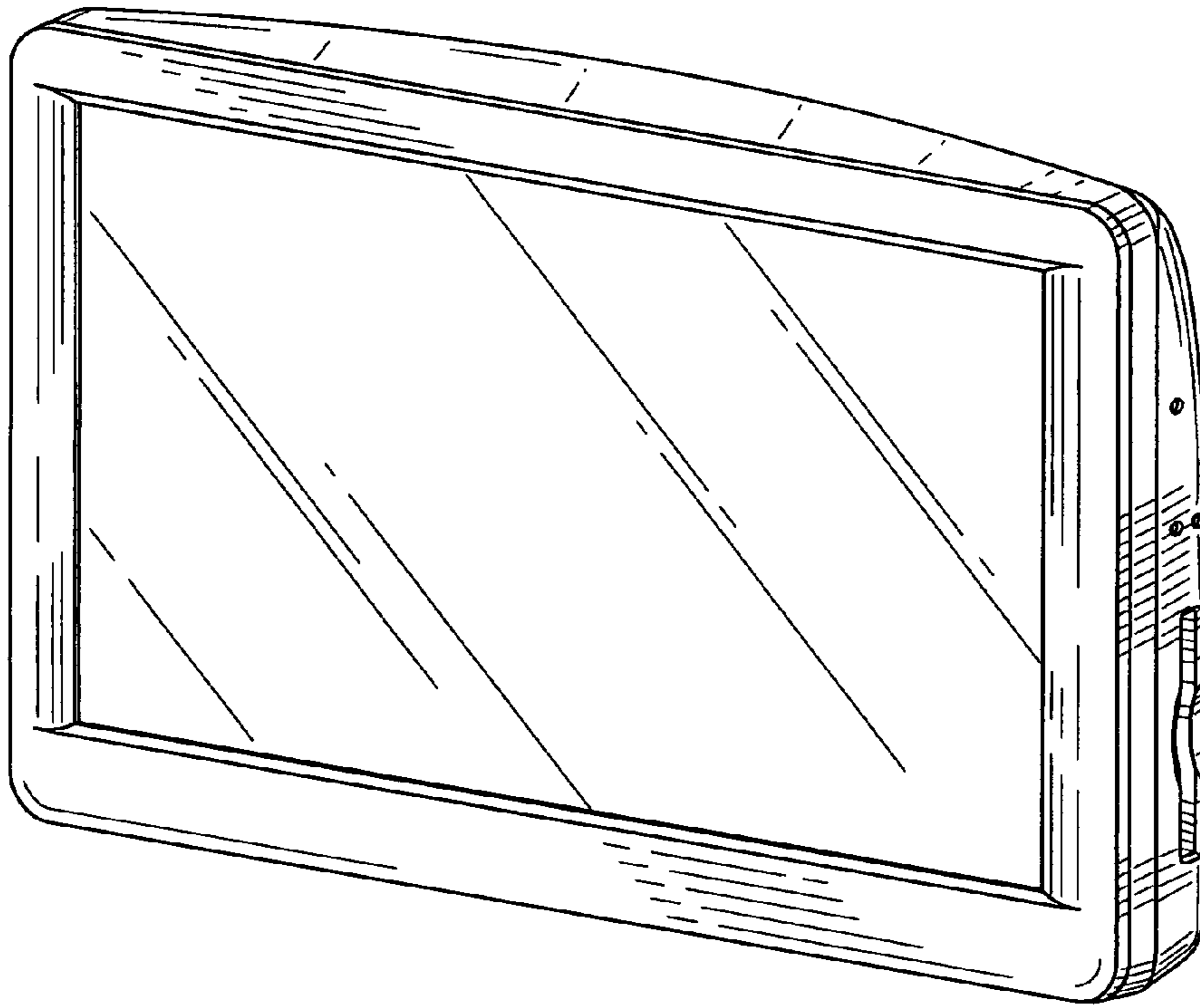


FIG.2

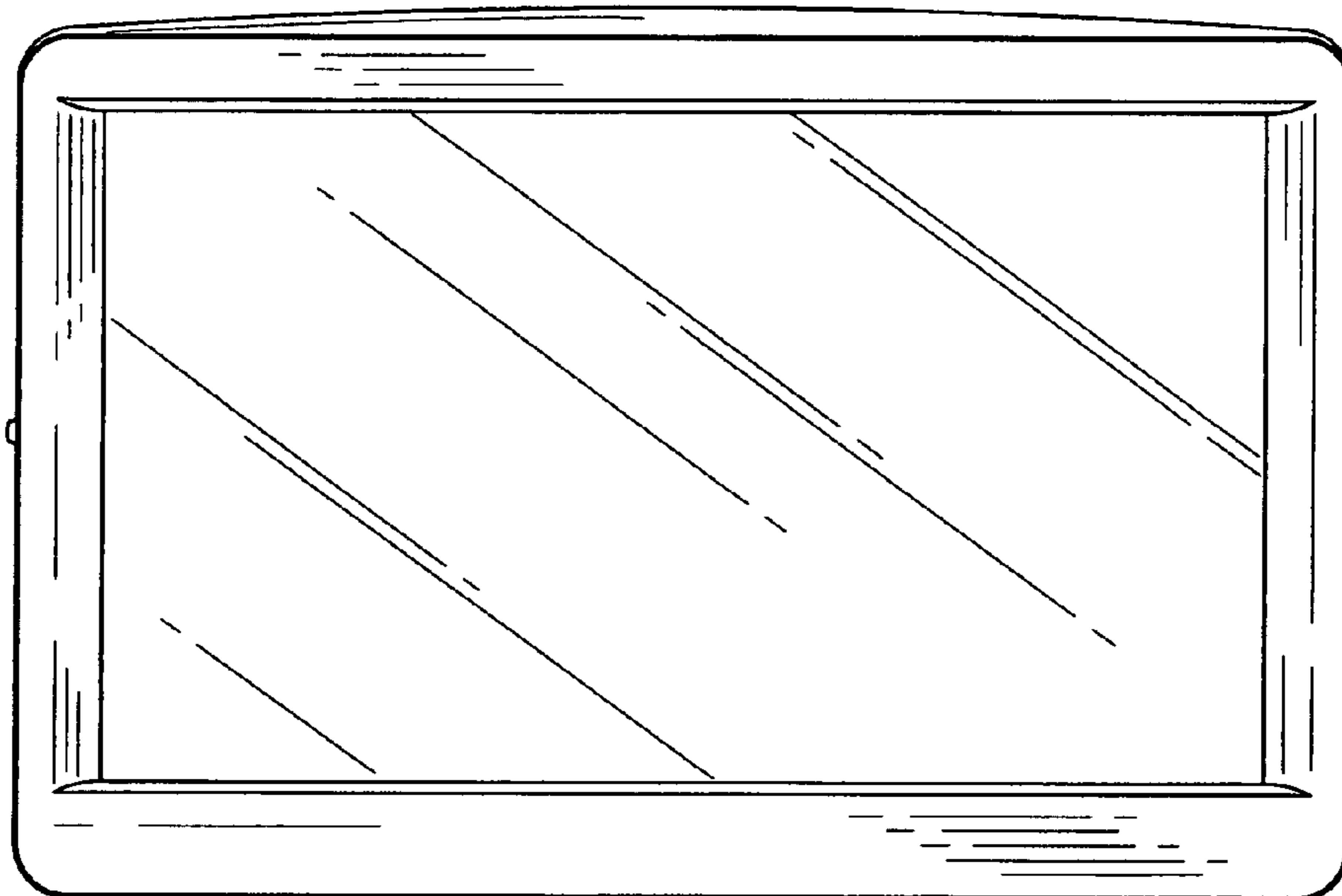


FIG.3

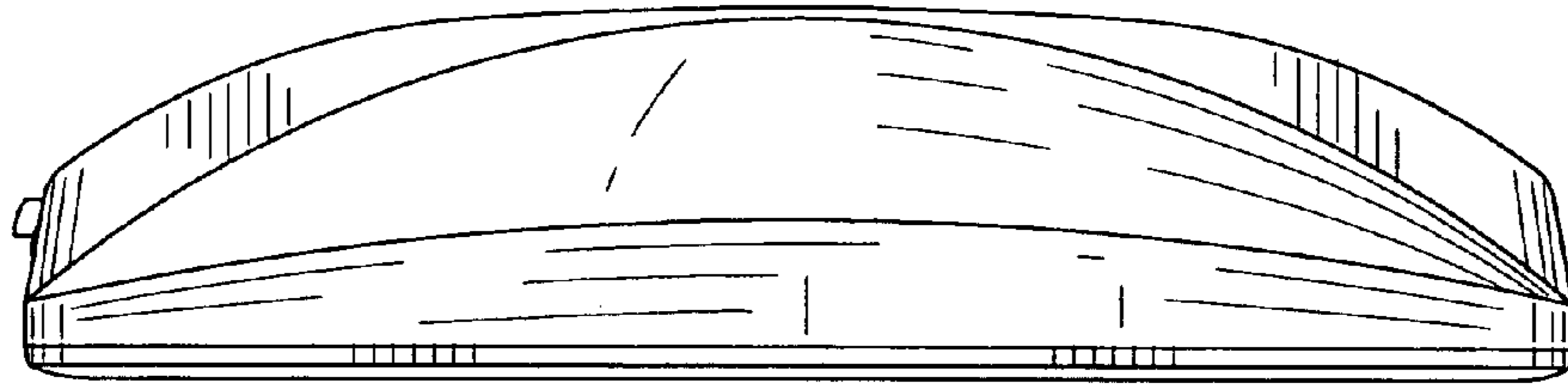


FIG.4

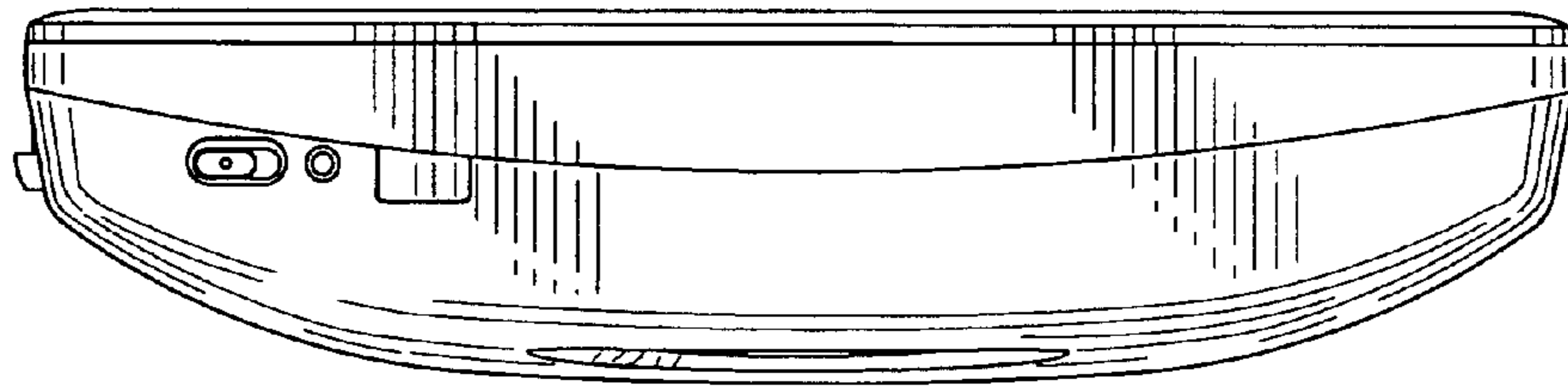


FIG.5

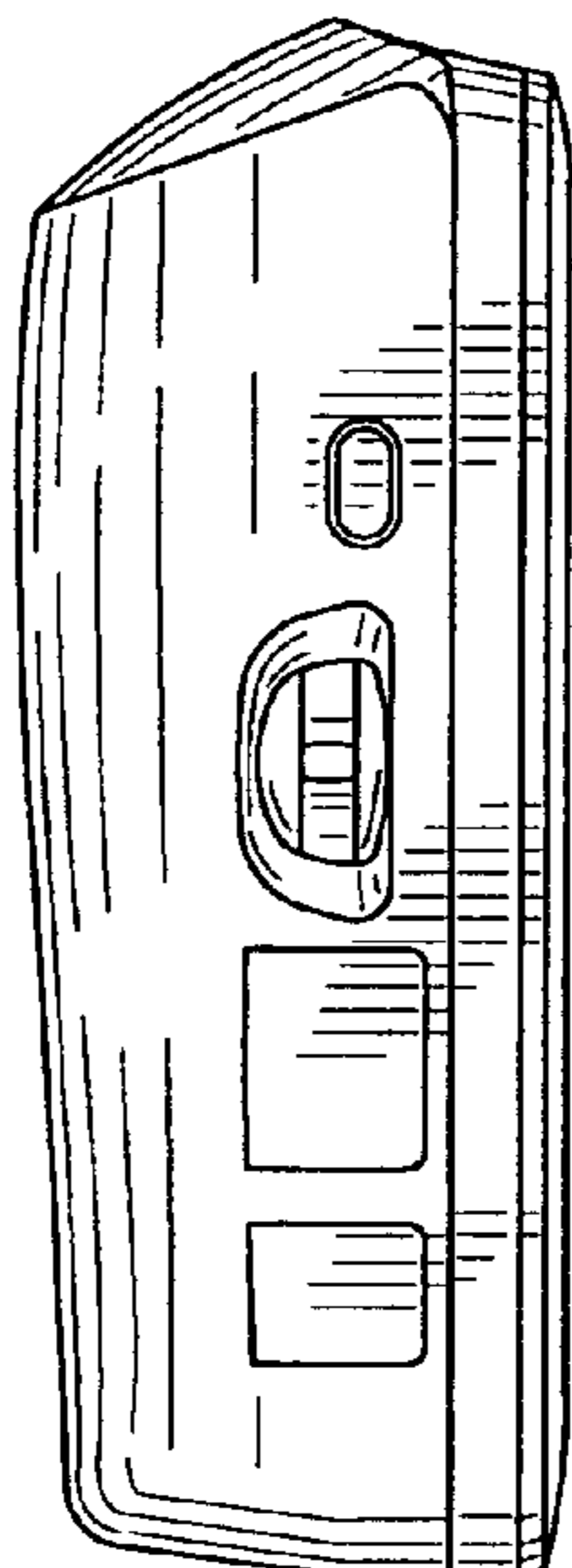


FIG.6

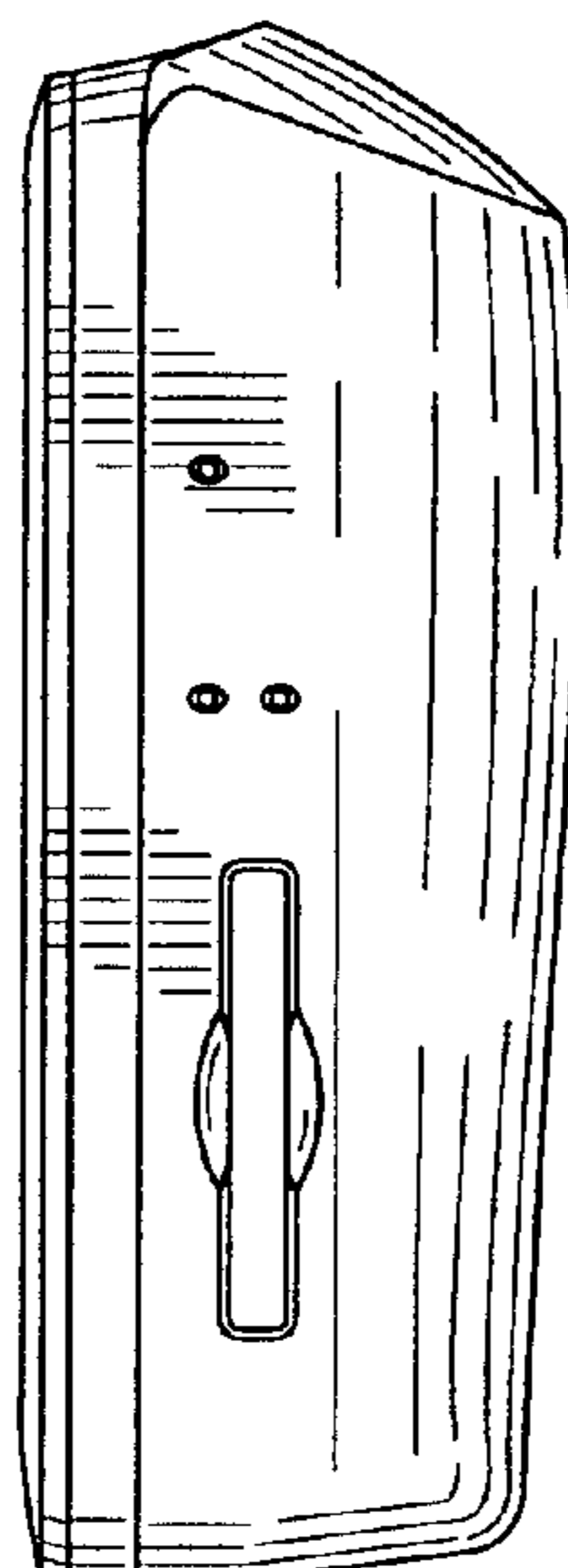


FIG.7

