



US00D568766S

(12) **United States Design Patent** (10) **Patent No.:** **US D568,766 S**
Nottingham et al. (45) **Date of Patent:** **** May 13, 2008**

(54) **CONTAINER**
(75) Inventors: **John William Nottingham**, Bratenahl, OH (US); **Jay Tapper**, Beachwood, OH (US)
(73) Assignee: **Conopco, Inc.**, Englewood Cliffs, NJ (US)

D399,097 S * 10/1998 Yang D7/598
D424,768 S 5/2000 Tsou D32/53
6,293,422 B1 * 9/2001 Jentzsch et al. 220/608
D452,150 S * 12/2001 Viner D9/428
6,631,801 B2 * 10/2003 Boyd-Moss et al. 206/204
D519,027 S * 4/2006 Haber et al. D9/428
2005/0205453 A1 * 9/2005 Gindi et al. 206/503

(**) Term: **14 Years**
(21) Appl. No.: **29/276,346**
(22) Filed: **Jan. 23, 2007**

OTHER PUBLICATIONS

Co-pending Application: Applicant: Nottingham et al., U.S. Appl. No. 27/276,348, filed Jan. 23, 2007.
Co-pending Application: Applicant: Nottingham et al., U.S. Appl. No. 29/276,349, filed Jan. 23, 2007.
Co-pending Application: Applicant: Althoff et al., U.S. Appl. No. 11/625,961, filed Jan. 23, 2007.

(51) **LOC (8) Cl.** **09-03**
(52) **U.S. Cl.** **D9/756; D9/414**
(58) **Field of Classification Search** D9/684, D9/690, 719, 737, 739, 741, 756, 517, 414, D9/418, 424, 428, 434, 444, 520; D28/86; 206/736-739, 756, 758, 763-765, 45.2, 223, 206/570, 581, 370, 385, 438, 443, 779, 485, 206/486, 503, 508, 509, 511, 515, 517, 521, 206/585, 589; 215/6, 10, 373-377; 220/4.26, 220/4.27, 8, 23.2, 23.6, 23.8, 23.88, 23.91, 220/507, 509, 513-519, 527, 555, 605-608, 220/737, 623, 628; 222/143

* cited by examiner
Primary Examiner—Catherine Tuttle
(74) *Attorney, Agent, or Firm*—Karen E. Klumas

See application file for complete search history.

(57) **CLAIM**

The ornamental design for a container, as shown and described.

(56) **References Cited**

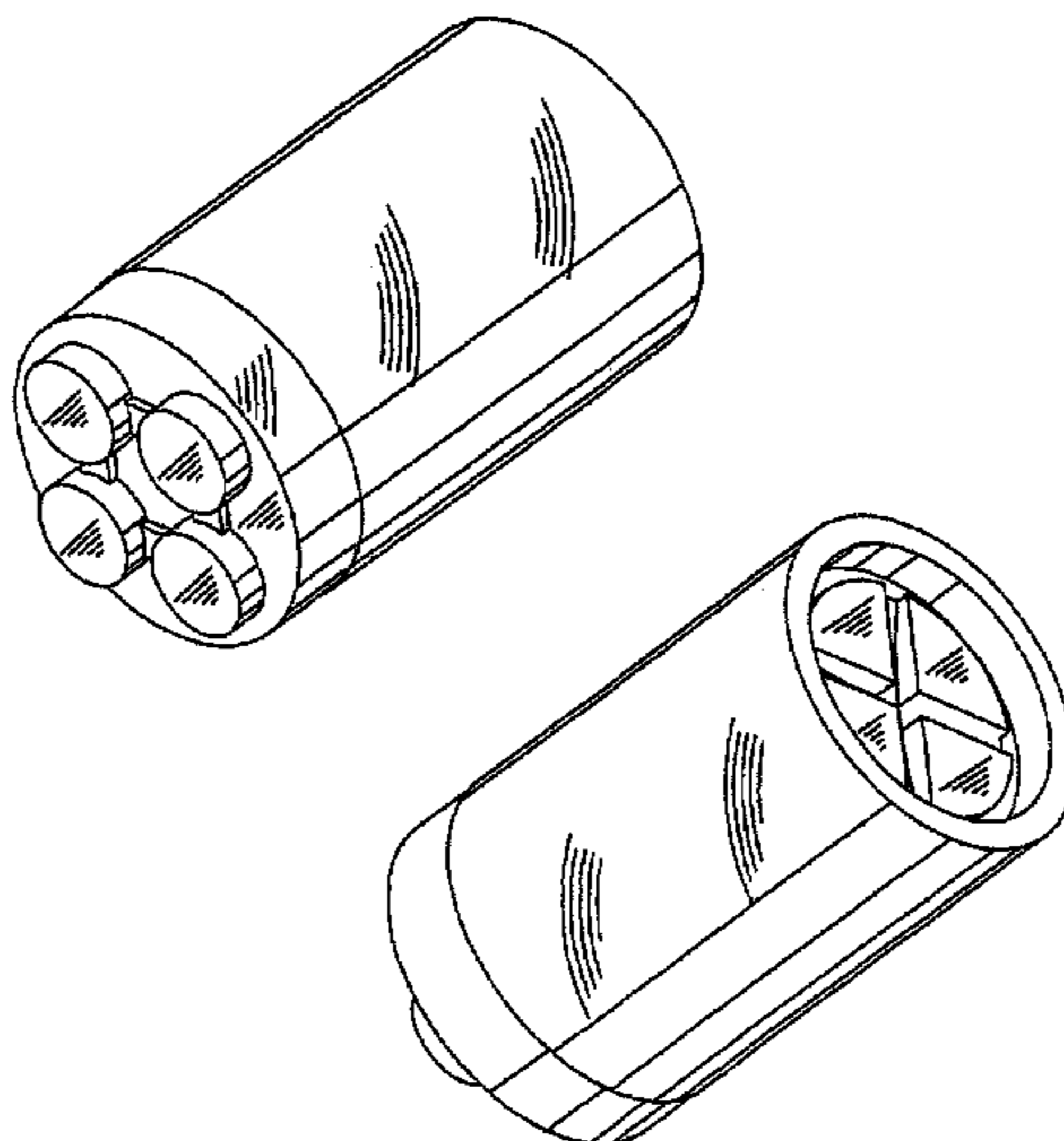
U.S. PATENT DOCUMENTS

2,764,309 A * 9/1956 Zelonka 220/23.4
3,088,626 A * 5/1963 Van Leer et al. 220/636
3,140,007 A * 7/1964 Nettleship 206/508
3,326,363 A * 6/1967 Bennett et al. 206/219
3,369,694 A 2/1968 Mauser et al. 220/67
4,139,114 A * 2/1979 Long et al. 220/23.4
D281,824 S * 12/1985 Field D28/76
4,785,931 A * 11/1988 Weir et al. 206/222
5,054,617 A * 10/1991 Young et al. 206/509
D333,615 S 3/1993 Zutler D9/423
5,375,716 A * 12/1994 Rubin et al. 206/443
D354,909 S * 1/1995 Blanche D9/739
D356,255 S 3/1995 Syrek D9/424

DESCRIPTION

FIG. 1 is a side elevational view of a container showing the new design;
FIG. 2 is a side elevational view thereof rotated clockwise 90° from FIG. 1;
FIG. 3 is a side elevational view thereof rotated clockwise 90° from FIG. 2;
FIG. 4 is a side elevational view thereof rotated clockwise 90° from FIG. 3;
FIG. 5 is a top plan view thereof;
FIG. 6 is a bottom plan view thereof;
FIG. 7 is a perspective view from below and one side of the container; and,
FIG. 8 is a perspective view from above and one side of the container.

1 Claim, 2 Drawing Sheets



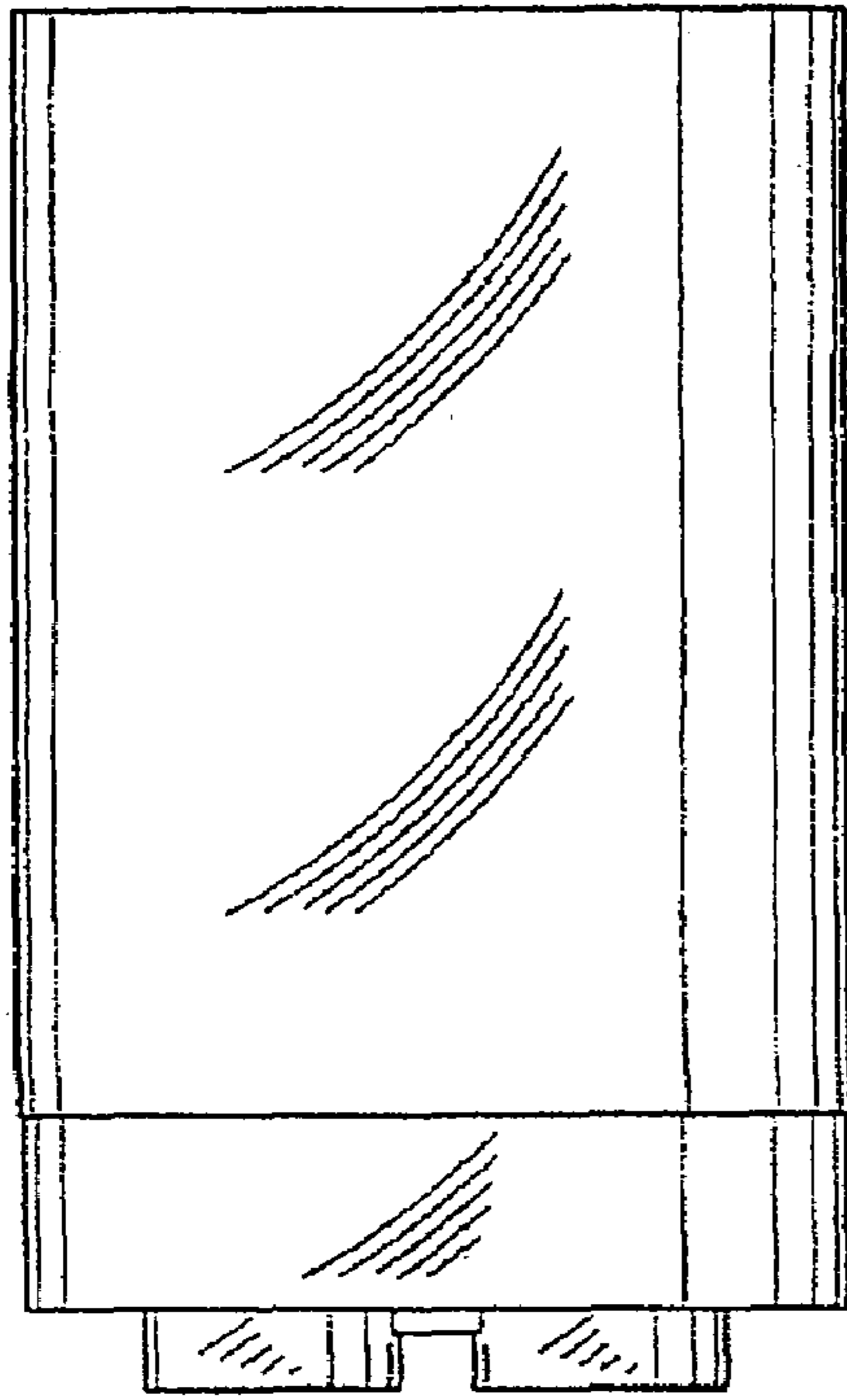


FIG. 1

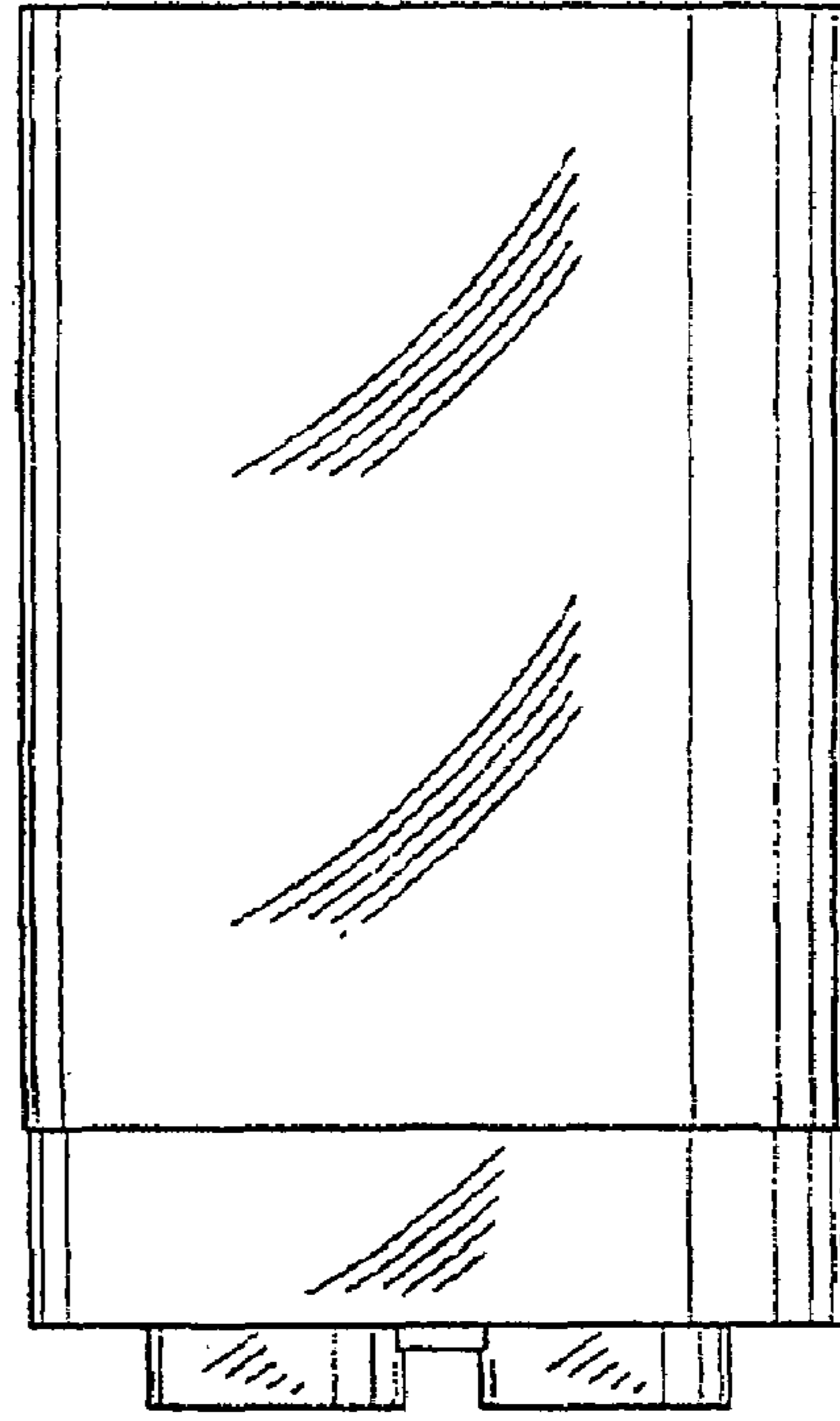


FIG. 2

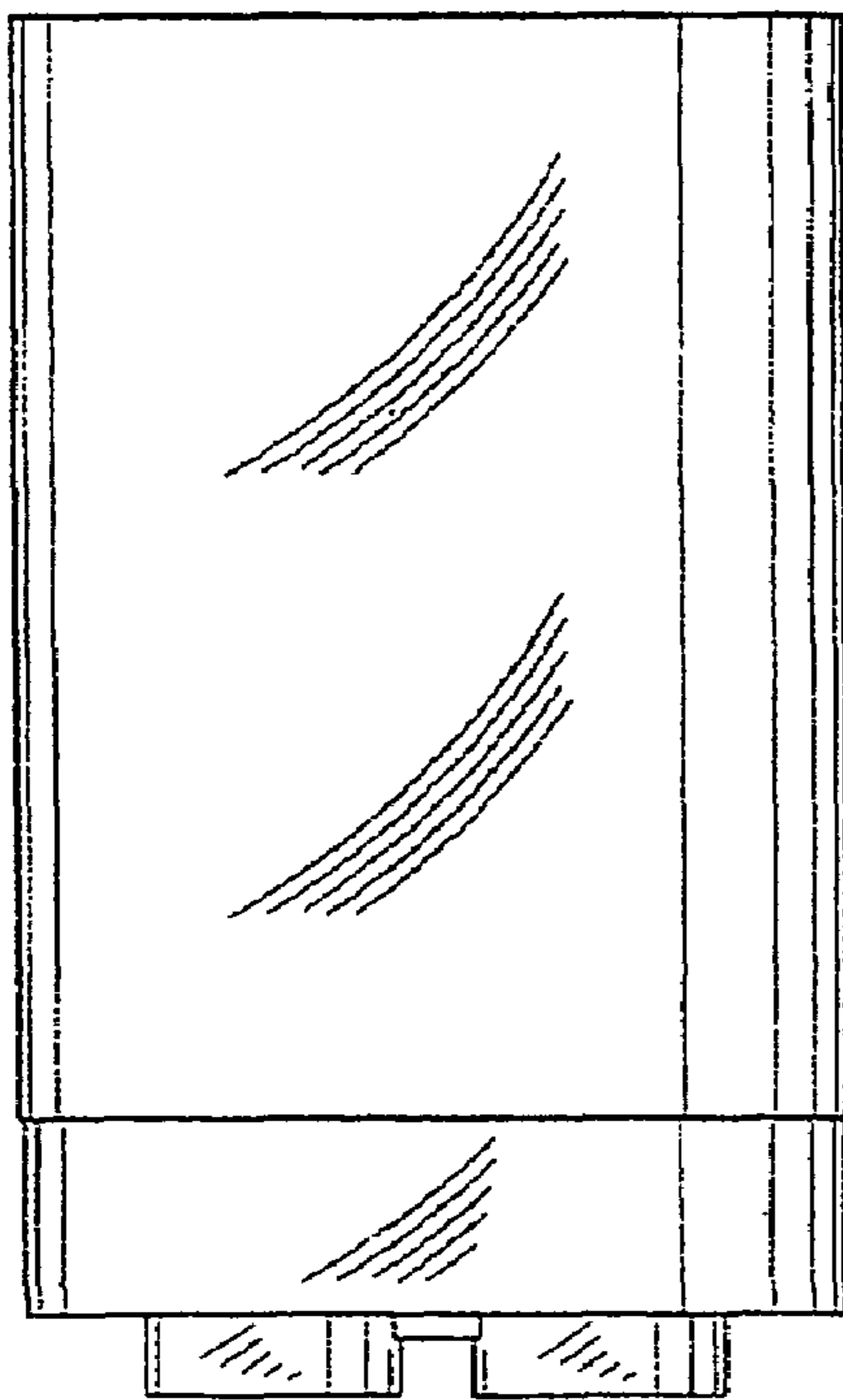


FIG. 3

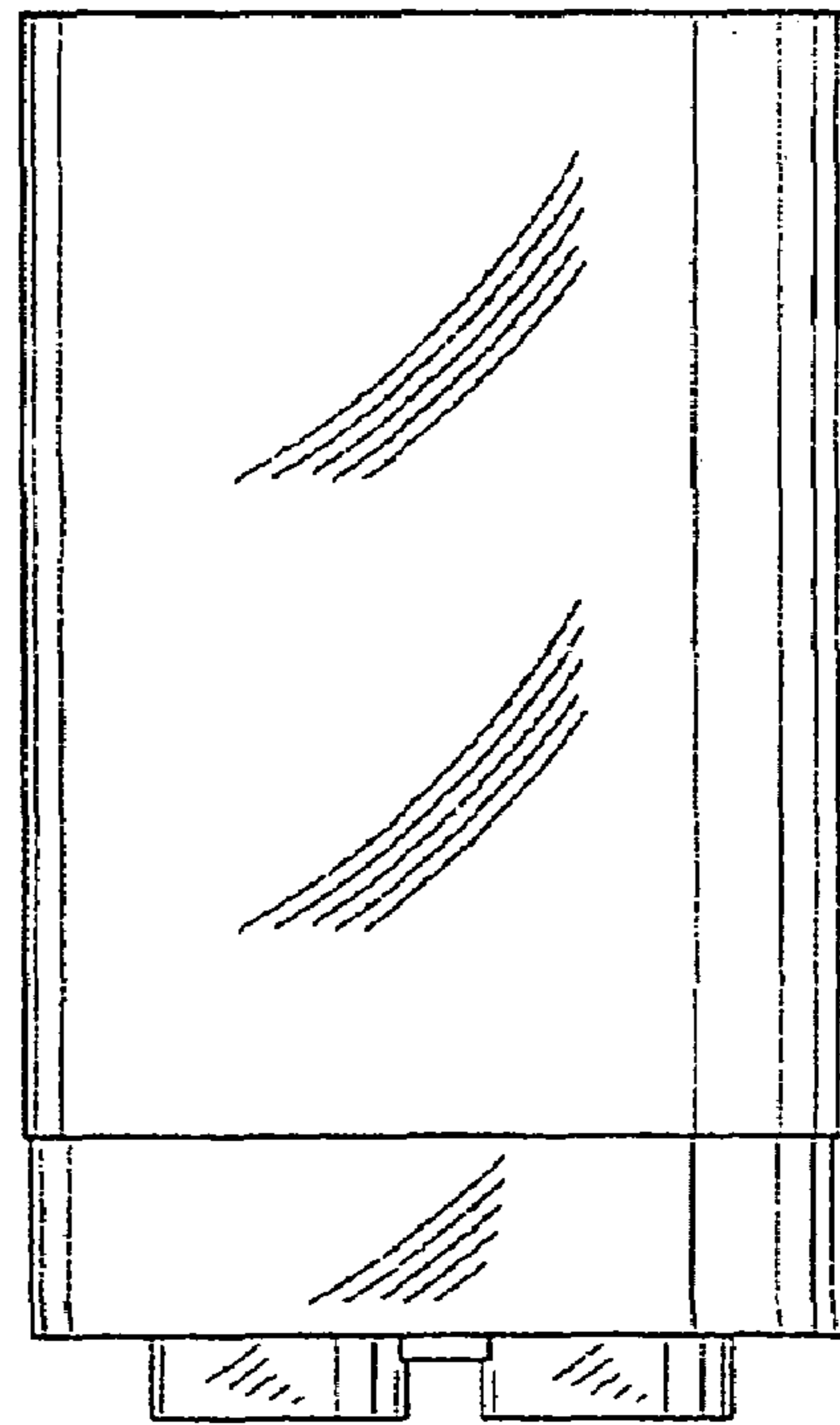


FIG. 4

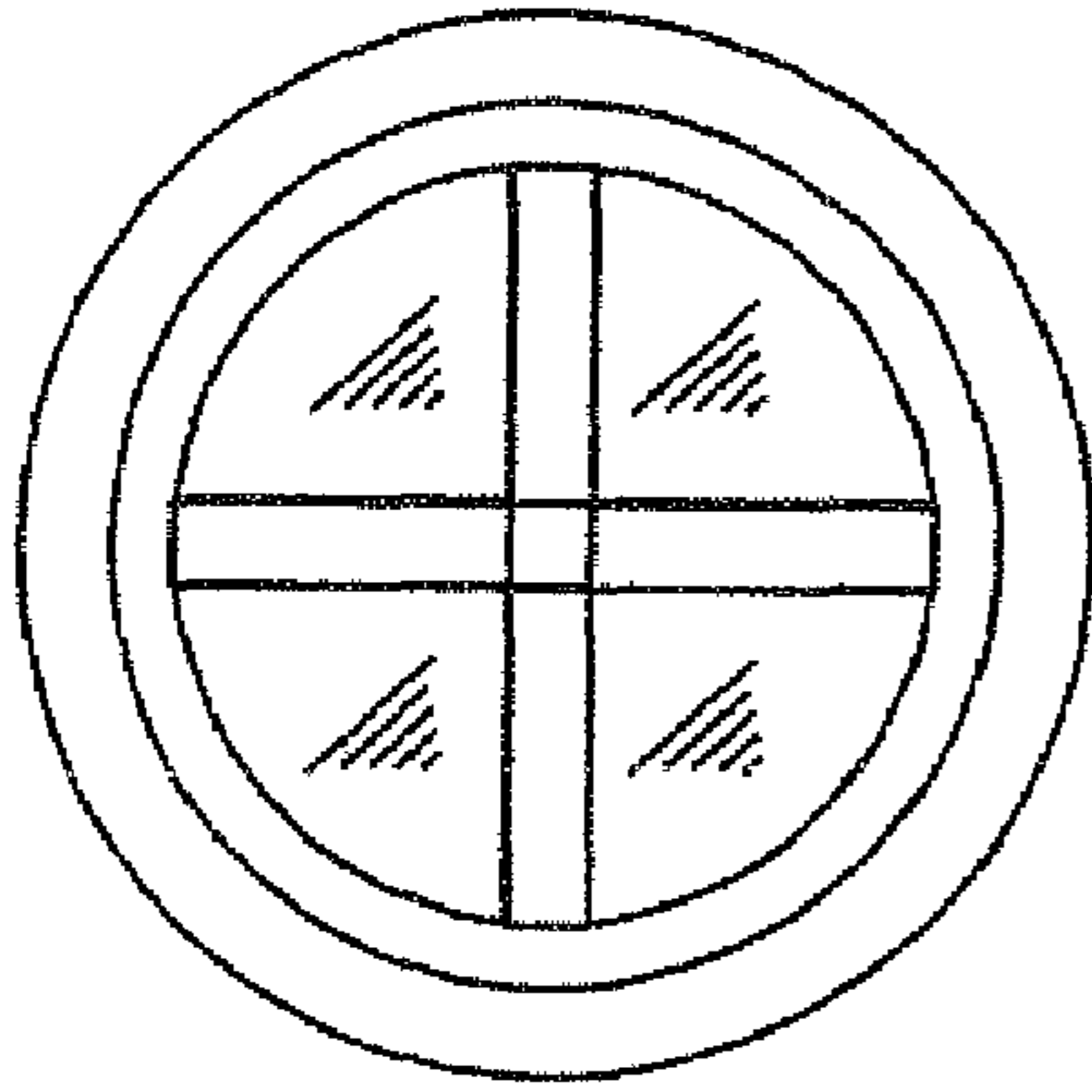


FIG. 5

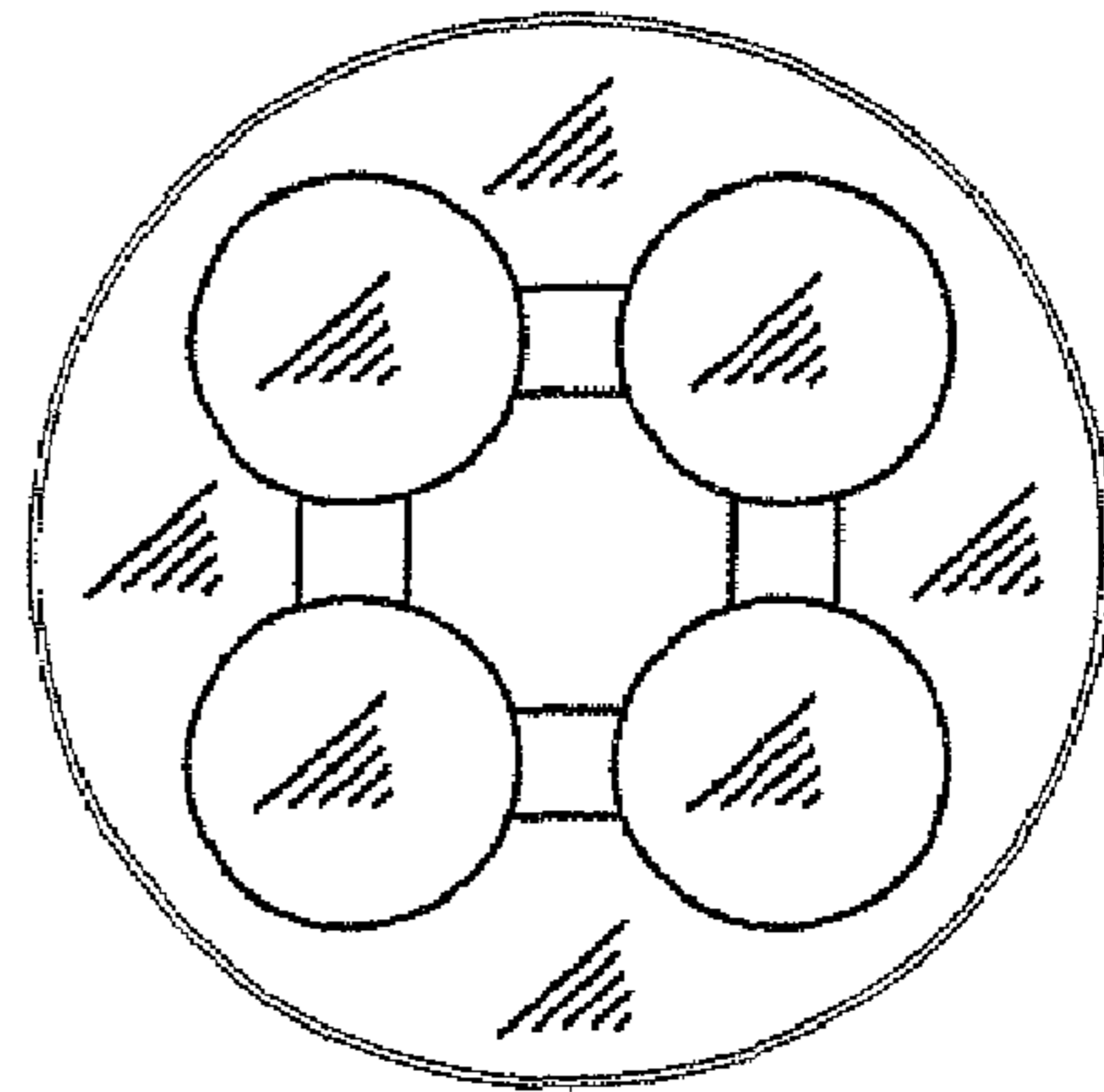


FIG. 6

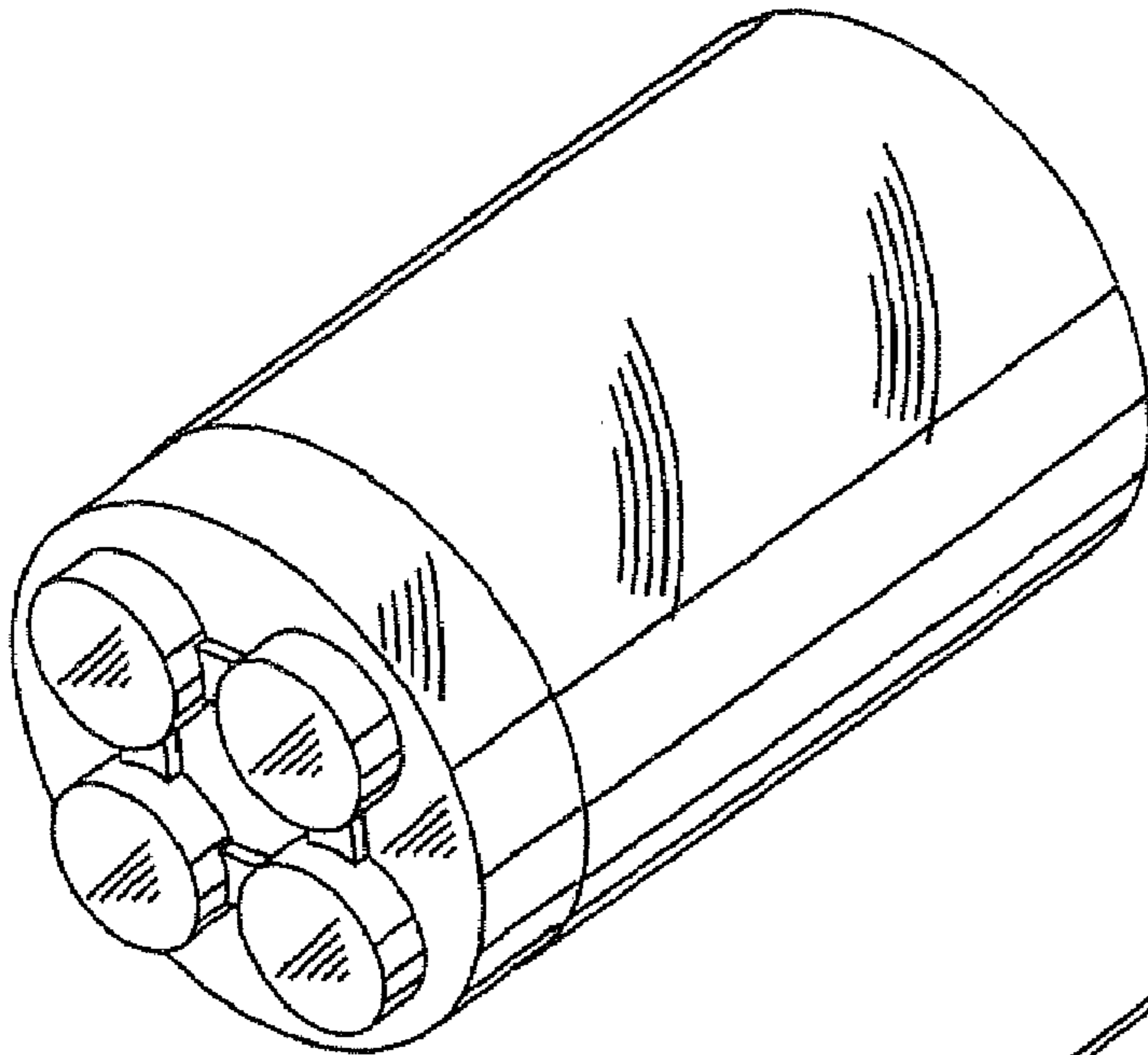


FIG. 7

FIG. 8

