



US00D568765S

(12) **United States Design Patent** (10) **Patent No.:** **US D568,765 S**  
**Miles** (45) **Date of Patent:** **\*\* May 13, 2008**

(54) **COMPARTMENTED FOOD PACKAGE**

(75) Inventor: **Susan E. Miles**, Georgetown, IN (US)  
(73) Assignee: **KFC Corporation**, Louisville, KY (US)  
(\*\*) Term: **14 Years**  
(21) Appl. No.: **29/279,232**  
(22) Filed: **Apr. 24, 2007**

(51) **LOC (8) Cl.** ..... **09-03**  
(52) **U.S. Cl.** ..... **D9/737**  
(58) **Field of Classification Search** ..... D9/414, D9/417, 418, 420, 430, 431, 432, 737, 478, D9/479, 756, 759, 760, 761; D7/549, 553.2, D7/590, 601, 602, 609, 610, 612, 614, 629; D3/201, 203.1, 203.2, 203.3; 206/45.28, 206/232, 278, 457, 509, 511, 556, 558, 631, 206/633, 820; 220/4.23, 4.27, 23.4, 23.6, 220/500, 556, 666; 229/120.02, 120.011, 229/123.1, 125.17, 125.35, 131.1, 160, 162.1, 229/162.3, 406, 906; 426/114, 115, 119, 426/120, 393, 394

See application file for complete search history.

(56) **References Cited**

**U.S. PATENT DOCUMENTS**

4,925,035 A \* 5/1990 Hunninghaus ..... 426/119  
D385,781 S \* 11/1997 Levine et al. .... D9/737  
6,070,717 A \* 6/2000 Philipson et al. .... 206/45.28  
D433,630 S \* 11/2000 Lubineau-Bigot et al. ... D9/416  
D439,157 S \* 3/2001 Tsuruishi et al. .... D9/759  
D510,528 S \* 10/2005 Funk ..... D9/737  
D523,288 S \* 6/2006 Pierce ..... D7/590

**OTHER PUBLICATIONS**

Rock-Tenn Company, Technical drawing of "dual ab tray w/hinged lid," designed by Fred Foushee, Ref. No. FHO-05-02508, Dec. 29, 2005.

\* cited by examiner

*Primary Examiner*—Stella M. Reid  
*Assistant Examiner*—Shanda C Hill

(74) *Attorney, Agent, or Firm*—Stites & Harbison, PLLC; David W. Nagle, Jr.

(57) **CLAIM**

The ornamental design for a compartmented food package, as shown and described.

**DESCRIPTION**

FIG. 1 is a perspective view of a compartmented food package showing my new design;

FIG. 2 is an alternate perspective view of the compartmented food package of FIG. 1, with the lid portion closed;

FIG. 3 is a right side view of the compartmented food package of FIG. 1;

FIG. 4 is a left side view of the compartmented food package of FIG. 1;

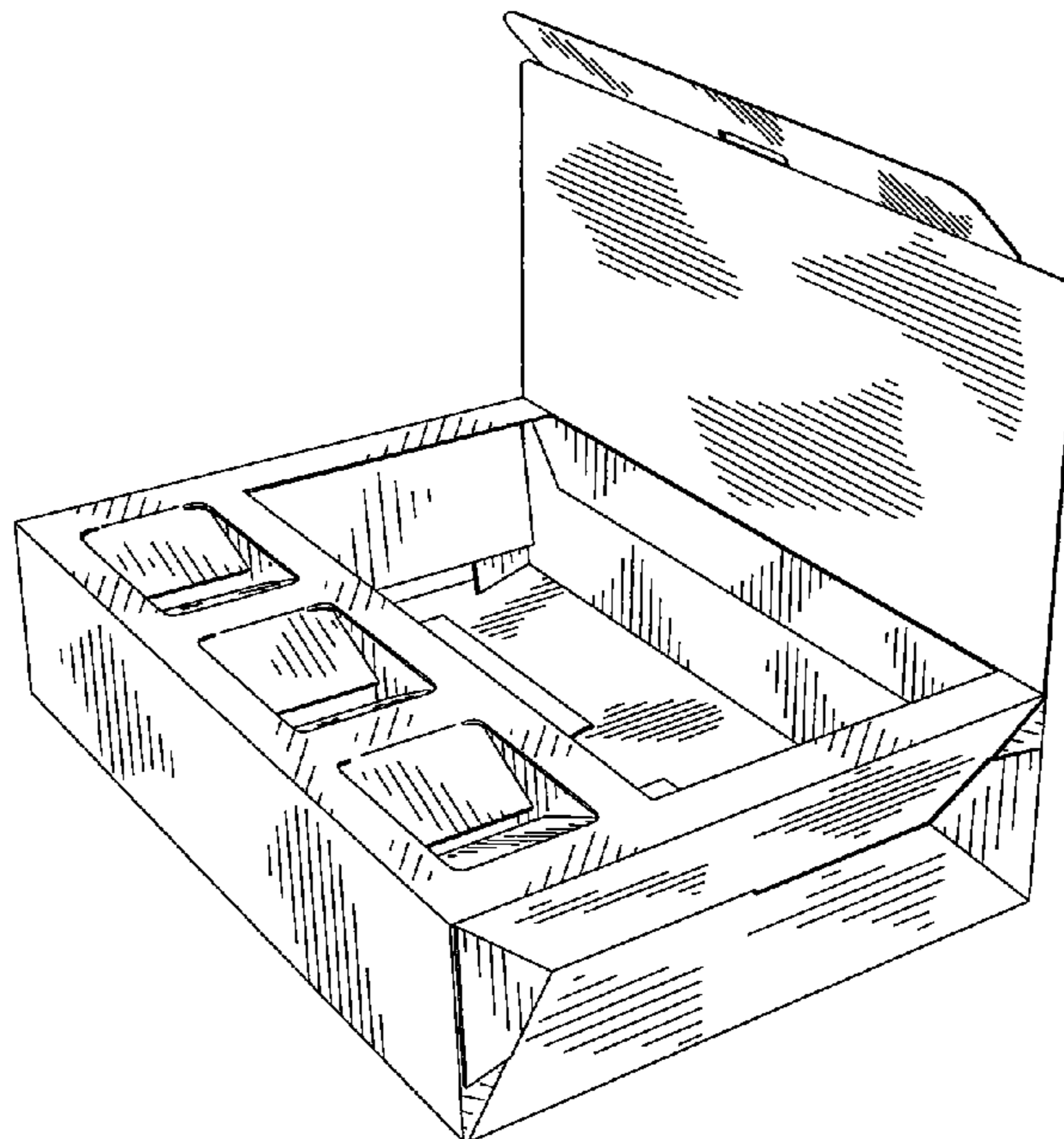
FIG. 5 is a front view of the compartmented food package of FIG. 1;

FIG. 6 is a rear view of the compartmented food package of FIG. 1;

FIG. 7 is a top view of the compartmented food package of FIG. 1; and,

FIG. 8 is a bottom view of the compartmented food package of FIG. 1.

**1 Claim, 5 Drawing Sheets**



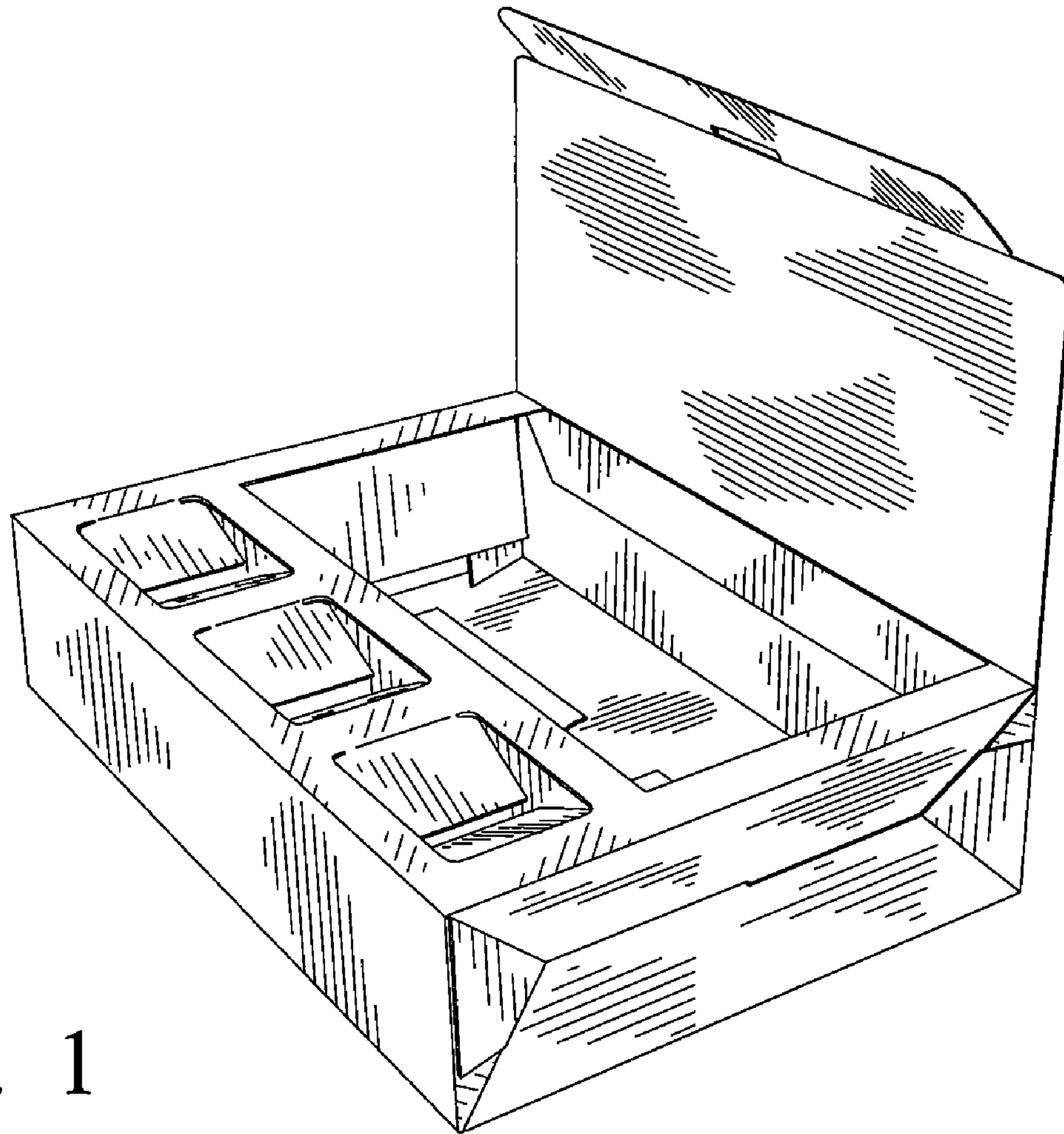


FIG. 1

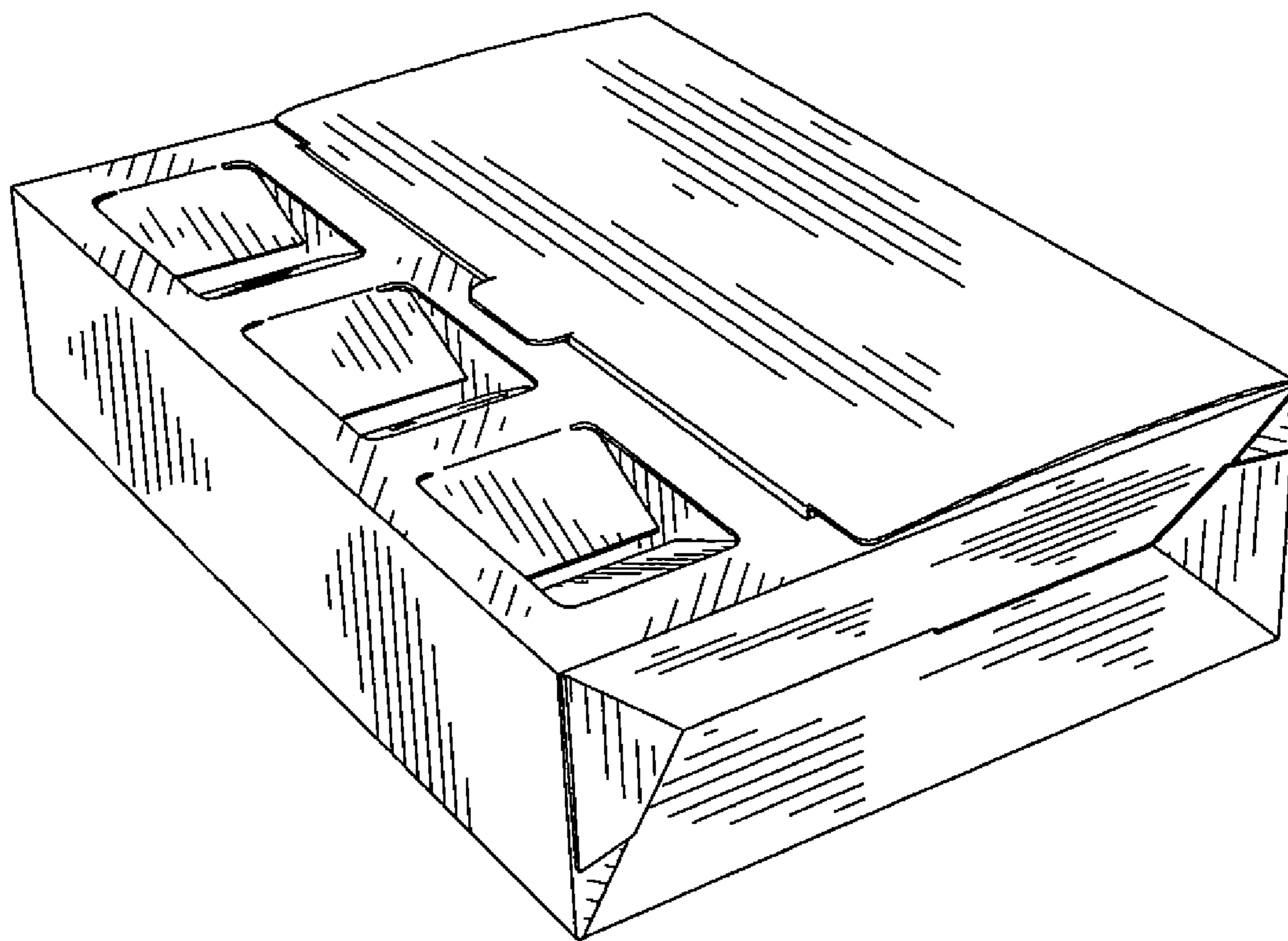


FIG. 2

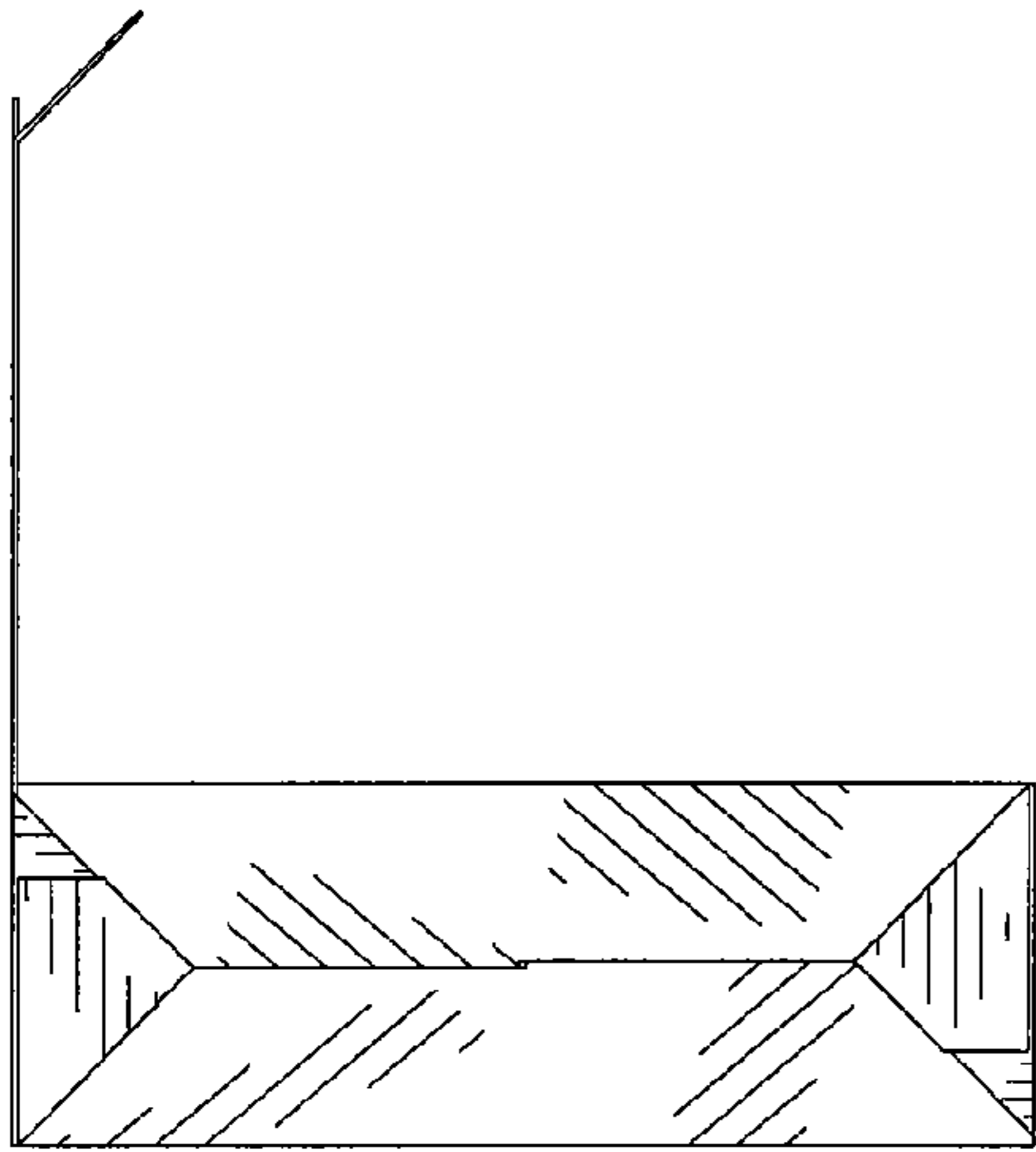


FIG. 3

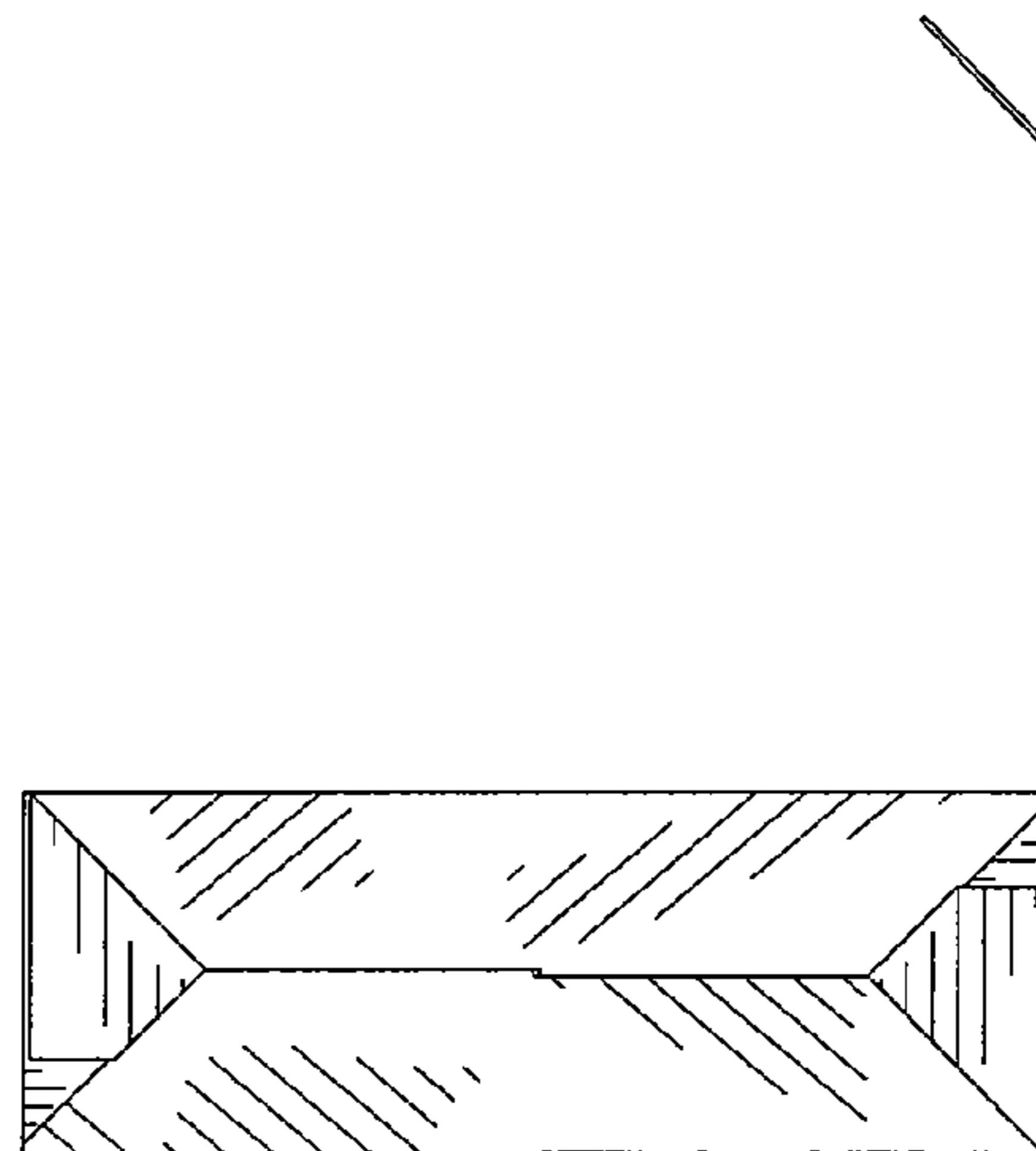


FIG. 4

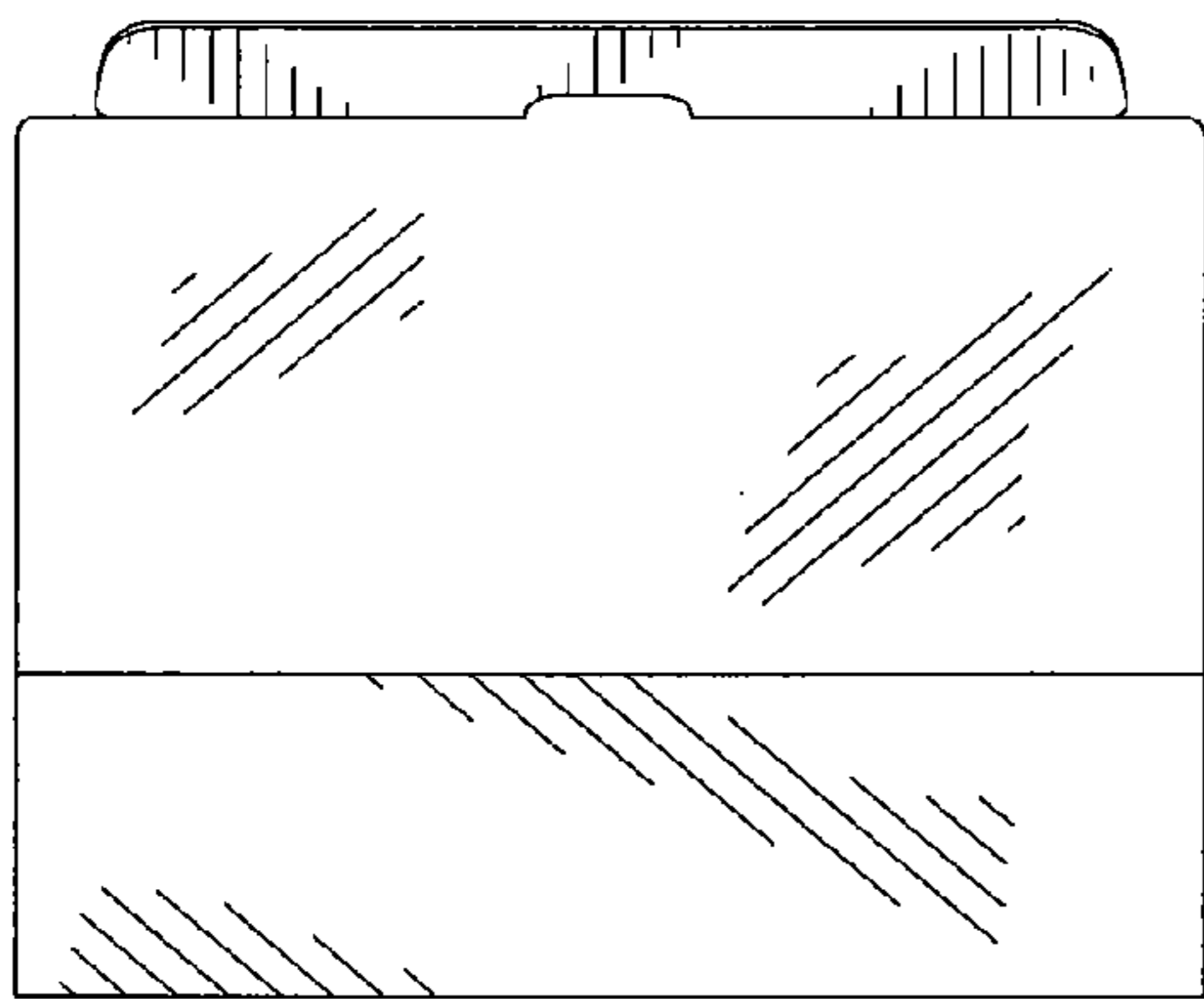


FIG. 5

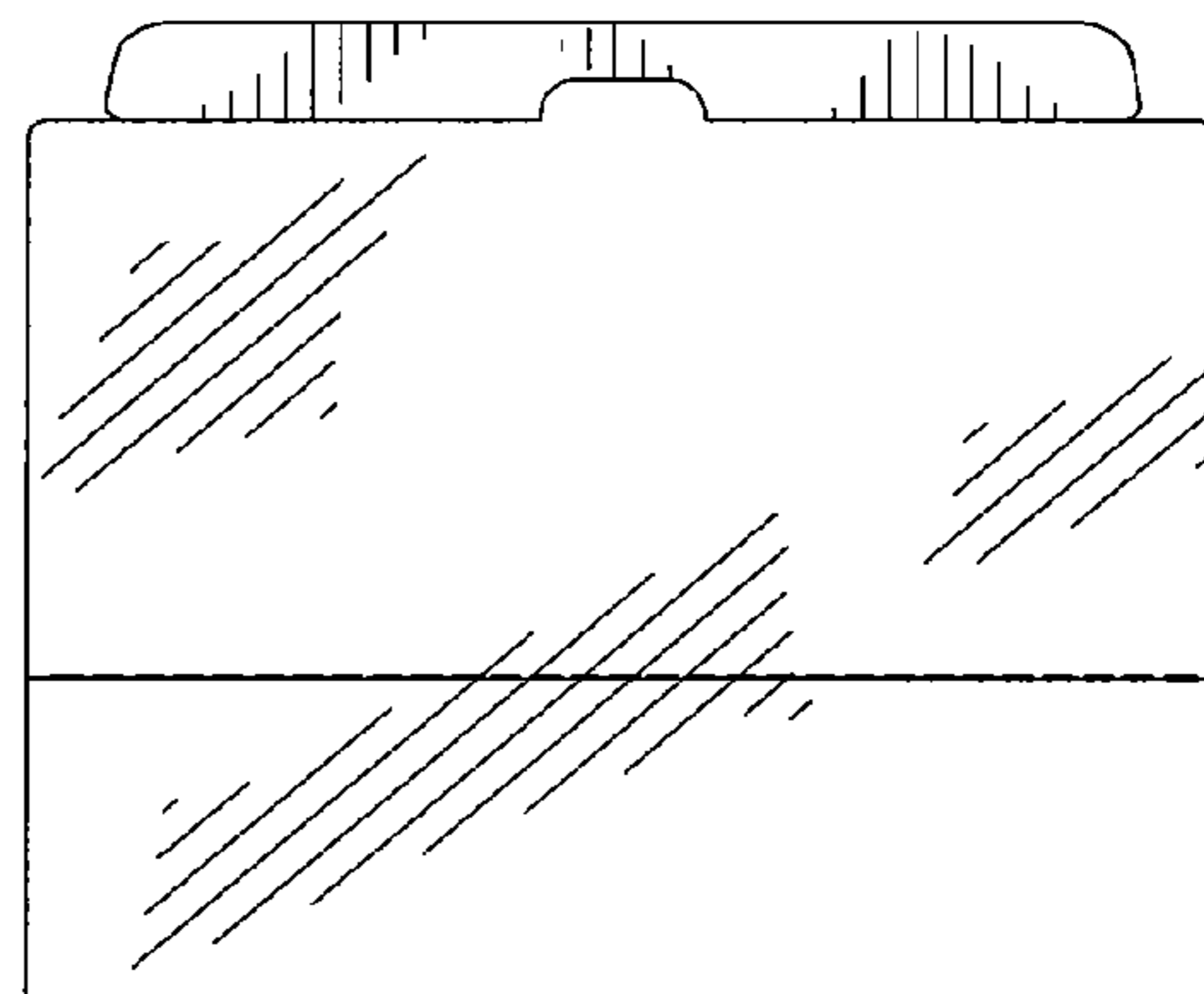


FIG. 6



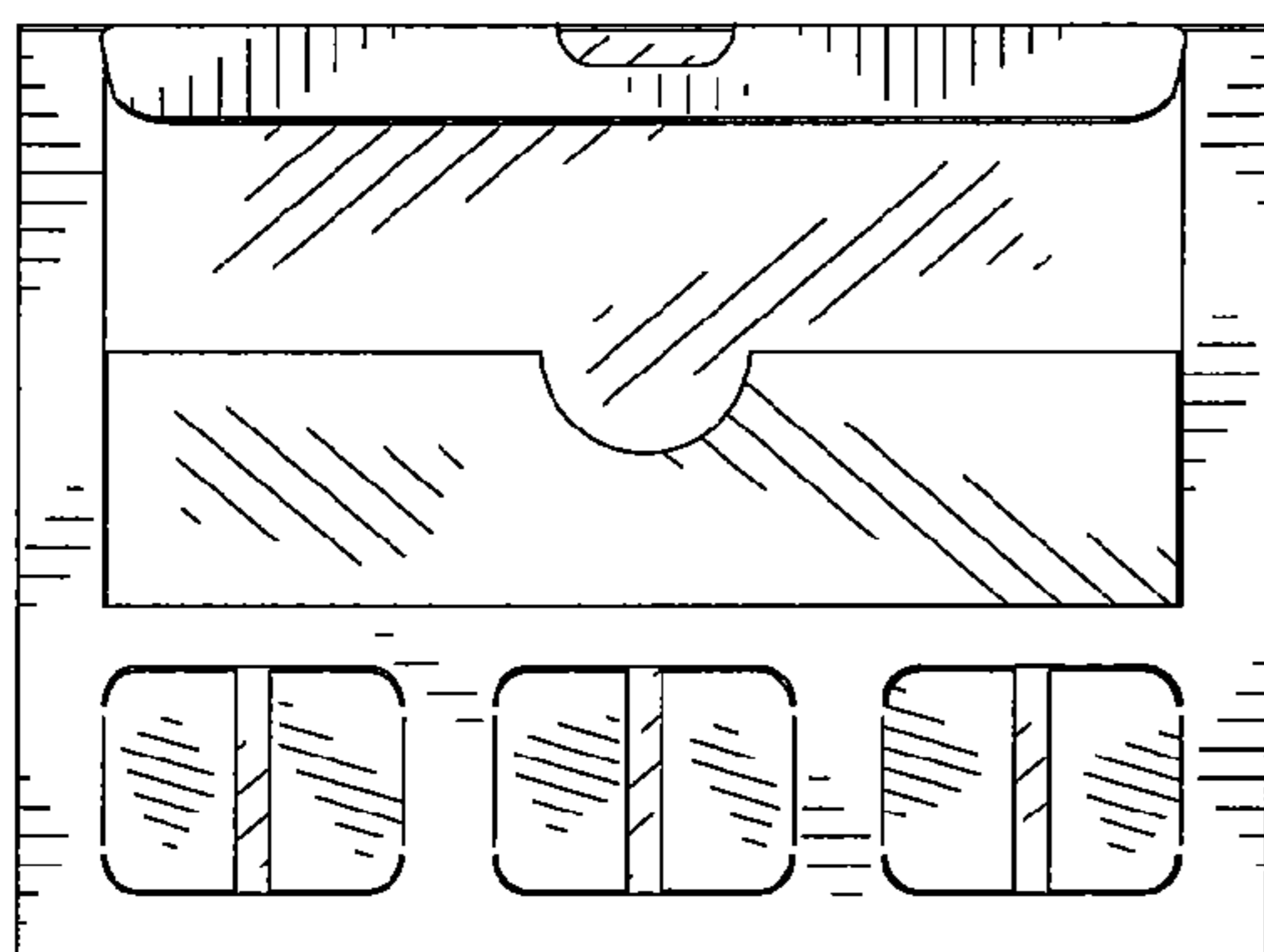


FIG. 7

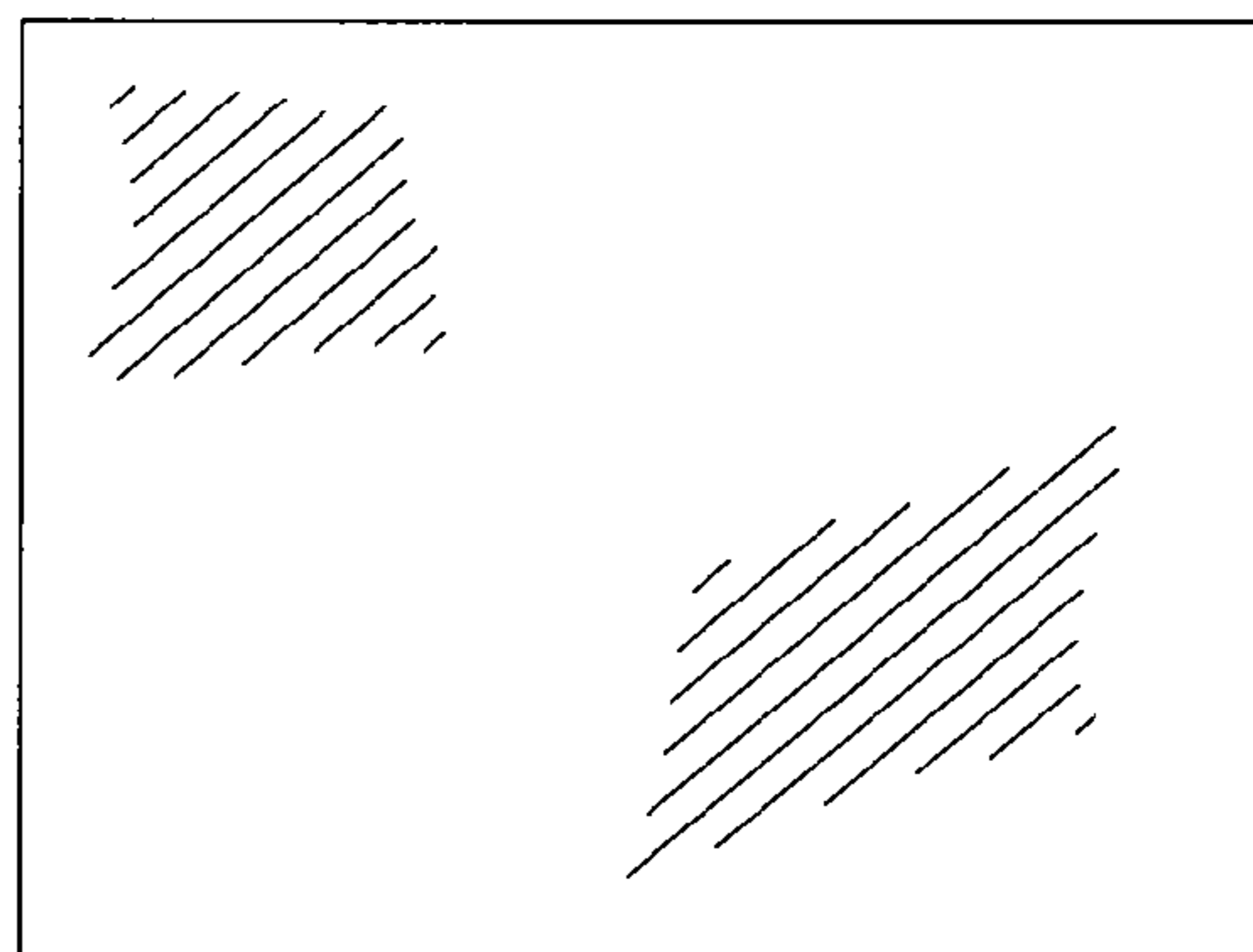


FIG. 8