



US00D568763S

(12) **United States Design Patent**
Keberlein

(10) **Patent No.:** **US D568,763 S**

(45) **Date of Patent:** **** May 13, 2008**

(54) **TISSUE CONTAINER**

(75) Inventor: **Gerald J. Keberlein**, Hortonville, WI
(US)

(73) Assignee: **Trinova Design, LLC**, Appleton, WI
(US)

(**) Term: **14 Years**

(21) Appl. No.: **29/277,065**

(22) Filed: **Feb. 12, 2007**

(51) **LOC (8) Cl.** **09-01**

(52) **U.S. Cl.** **D9/734; D9/433**

(58) **Field of Classification Search** D9/730,
D9/734, 414–418, 430–433; D7/631; 206/223,
206/233, 449, 455, 556, 784; 229/75, 122,
229/125.39, 200, 205, 207, 240–242; 40/124.08
See application file for complete search history.

(56) **References Cited**

U.S. PATENT DOCUMENTS

D303,500 S *	9/1989	Colla	D9/414
D394,385 S *	5/1998	Laughlin	D9/431
D438,105 S *	2/2001	Conner et al.	D9/430
D445,332 S *	7/2001	Breiding et al.	D9/416
D447,689 S *	9/2001	Navet et al.	D9/430
D454,305 S *	3/2002	Bryan et al.	D9/433
D454,495 S *	3/2002	Bryan et al.	D9/433
D519,832 S *	5/2006	Demathieu et al.	D9/430
D556,053 S *	11/2007	Keberlein et al.	D9/734

* cited by examiner

Primary Examiner—Mitchell Siegel
Assistant Examiner—Shanda C. Hill

(74) *Attorney, Agent, or Firm*—Whyte Hirschboeck Dudek
SC

(57) **CLAIM**

The ornamental design for a tissue container, as shown and
described.

DESCRIPTION

FIG. 1 is a perspective view of a tissue container showing
my new design;

FIG. 2 is a top view thereof;

FIG. 3 is a bottom view thereof;

FIG. 4 is a right side view thereof, with the left side view
being identical to the right side view;

FIG. 5 is a front view thereof, with the rear view being
identical to the front view;

FIG. 6 is a perspective view of the tissue container of FIG.
1 shown in an unfolded position;

FIG. 7 is a front view thereof with the rear view being
identical to the front view;

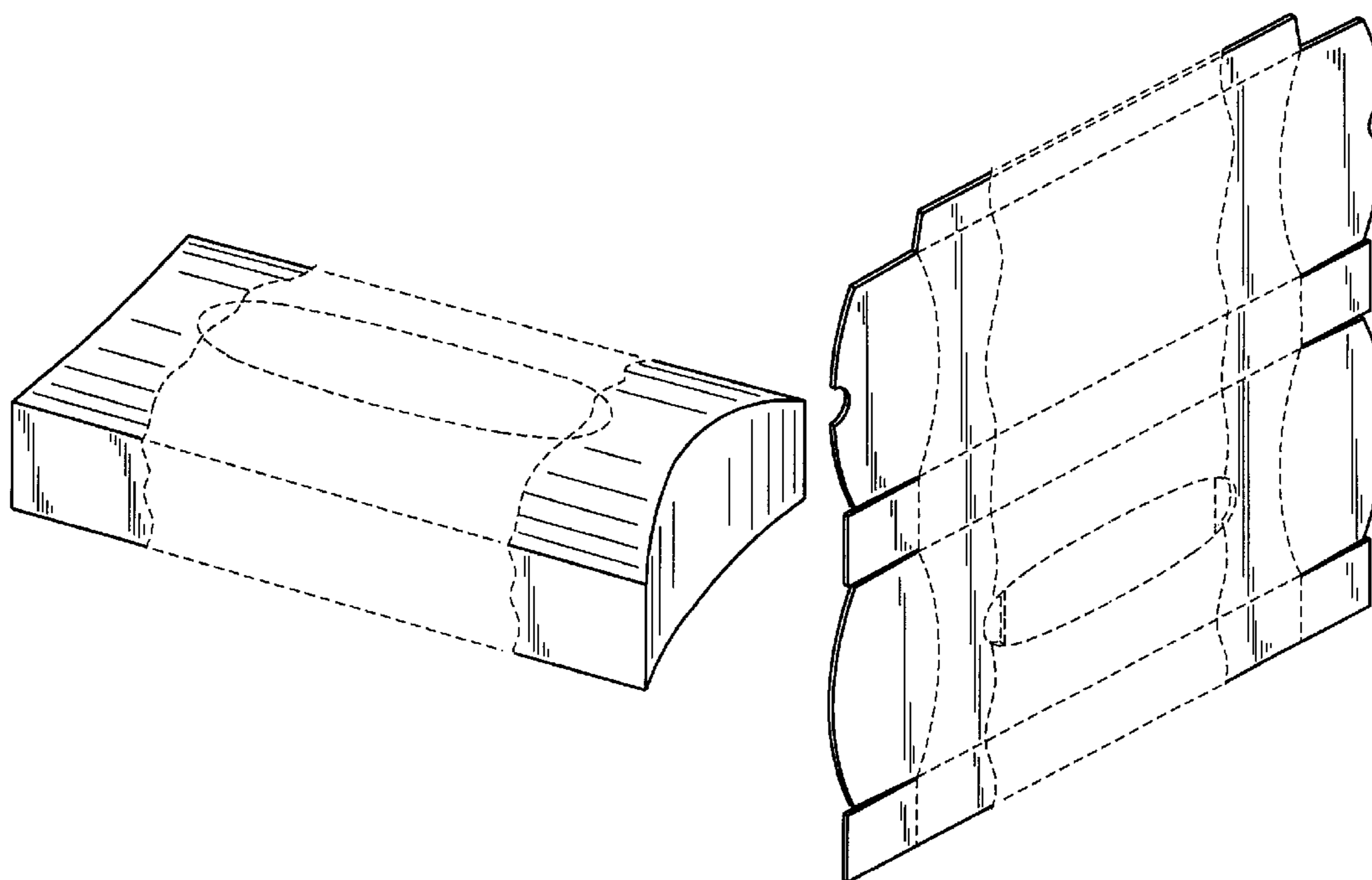
FIG. 8 is a top view thereof;

FIG. 9 is a bottom view thereof; and,

FIG. 10 is a left side view thereof with the right side view
being identical to the left side view.

The broken lines shown in the figures are for illustrative
environmental purposes only and form no part of the
claimed design.

1 Claim, 4 Drawing Sheets



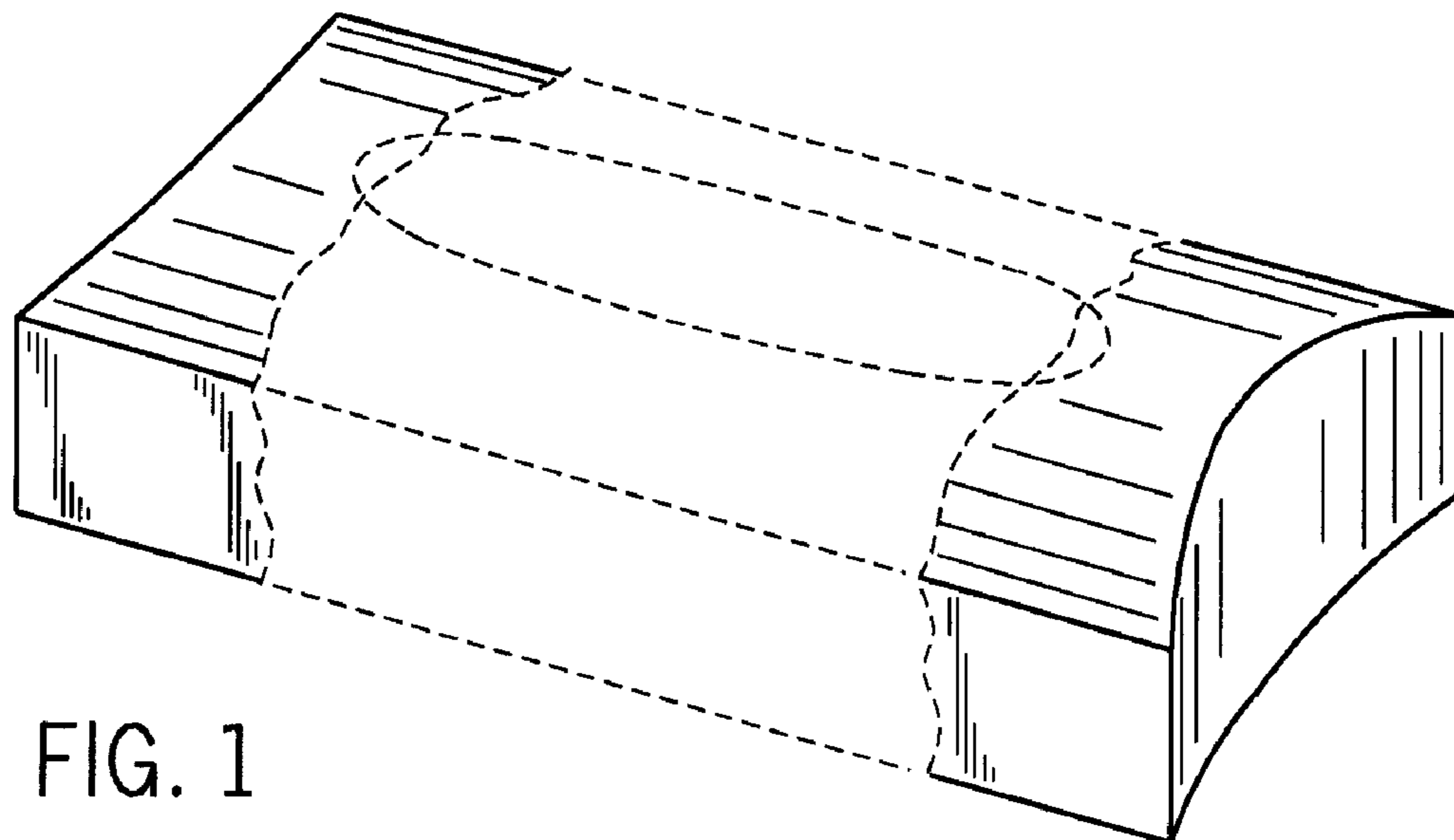


FIG. 1

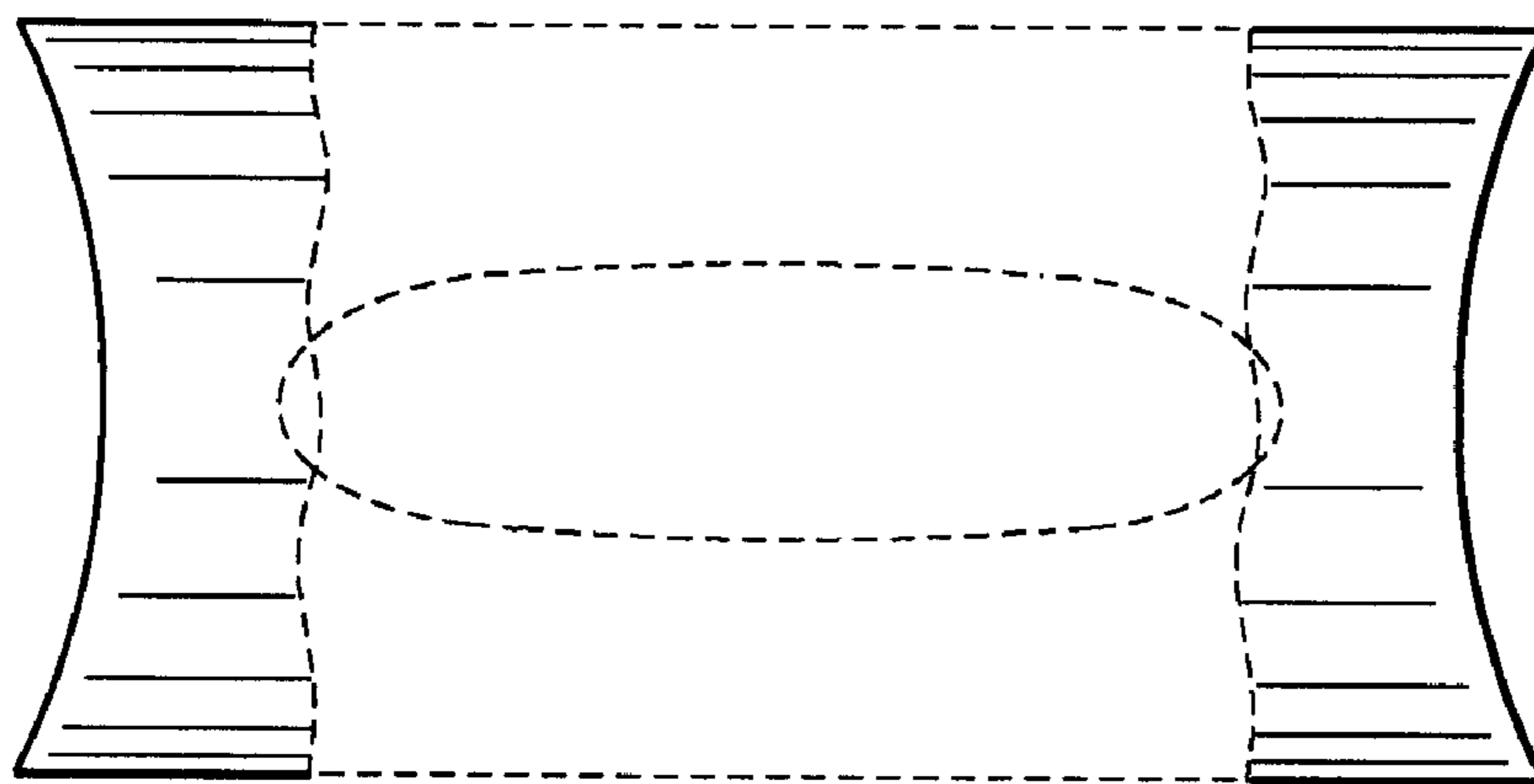


FIG. 2

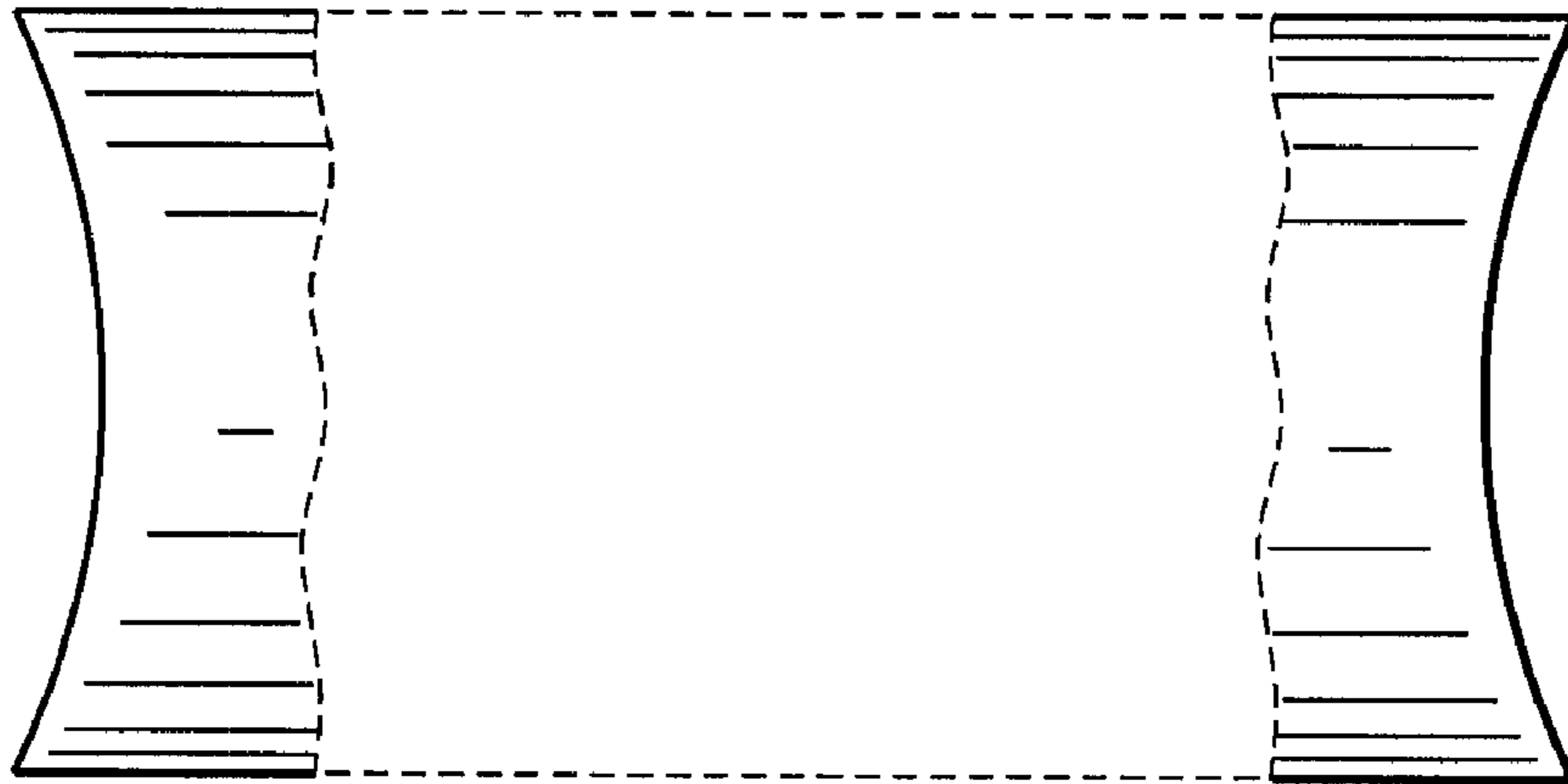


FIG. 3

FIG. 4

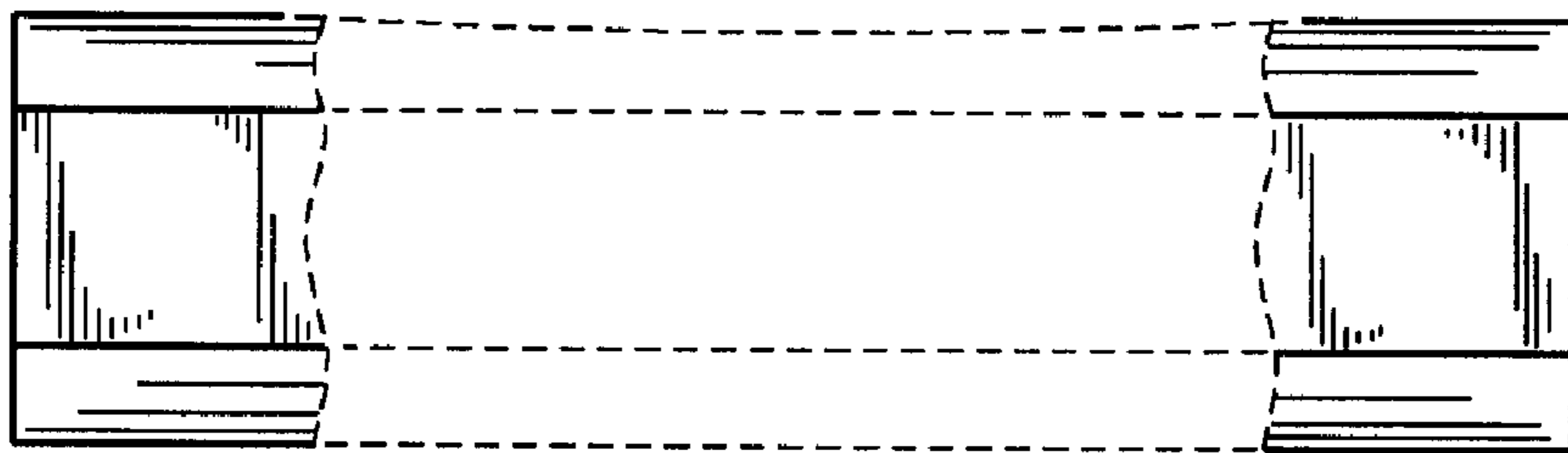
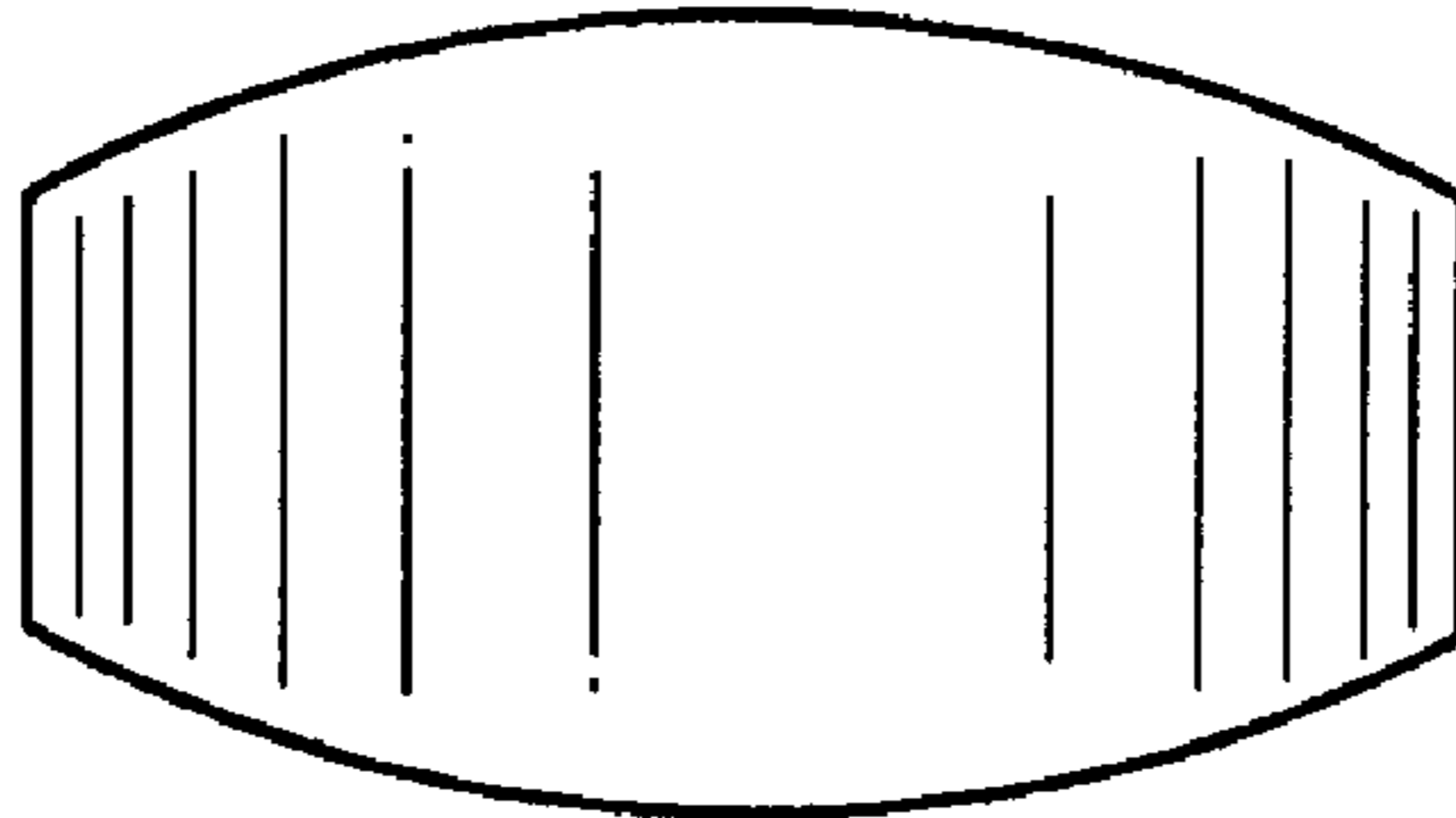


FIG. 5

FIG. 6

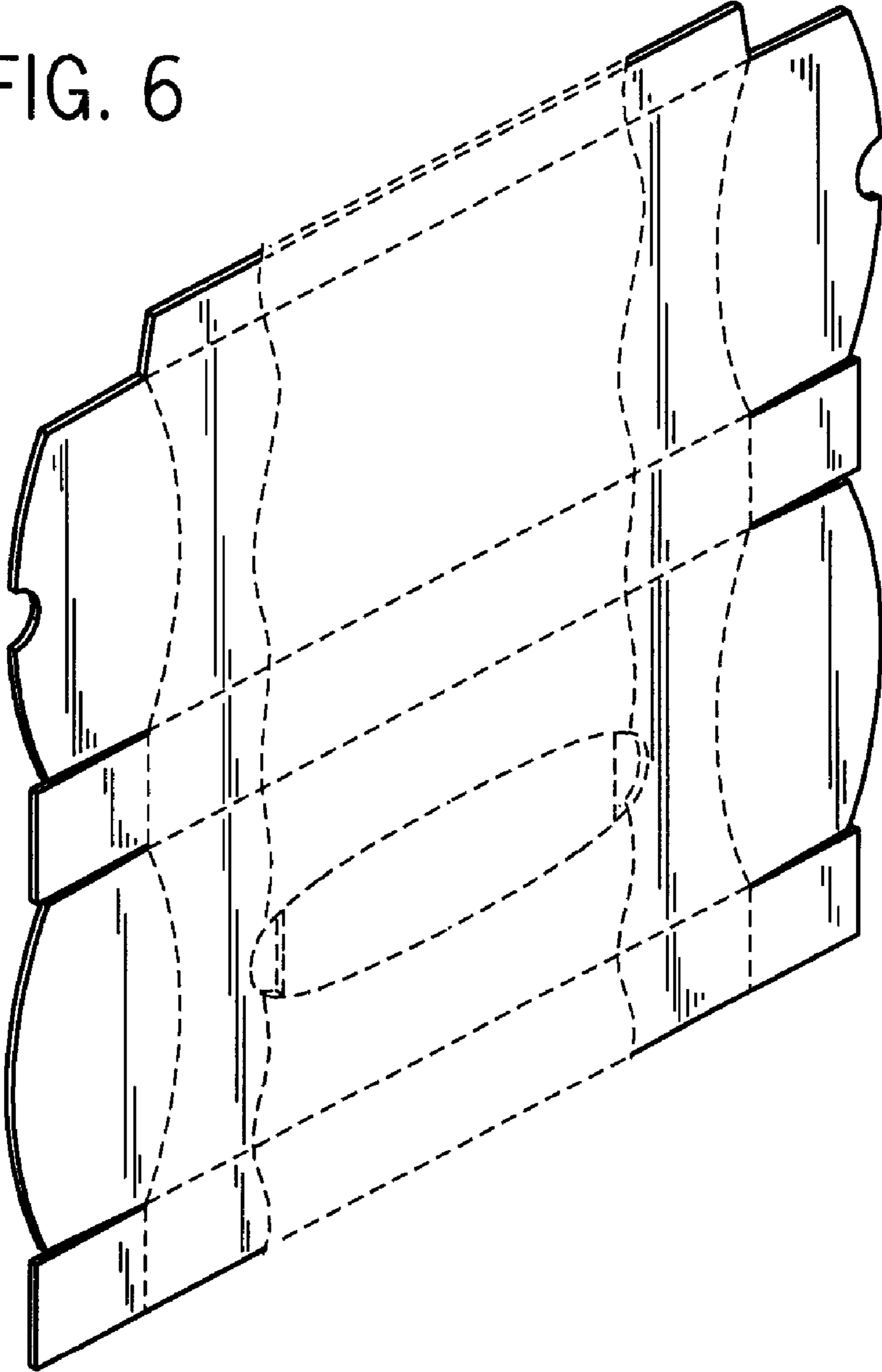


FIG. 8

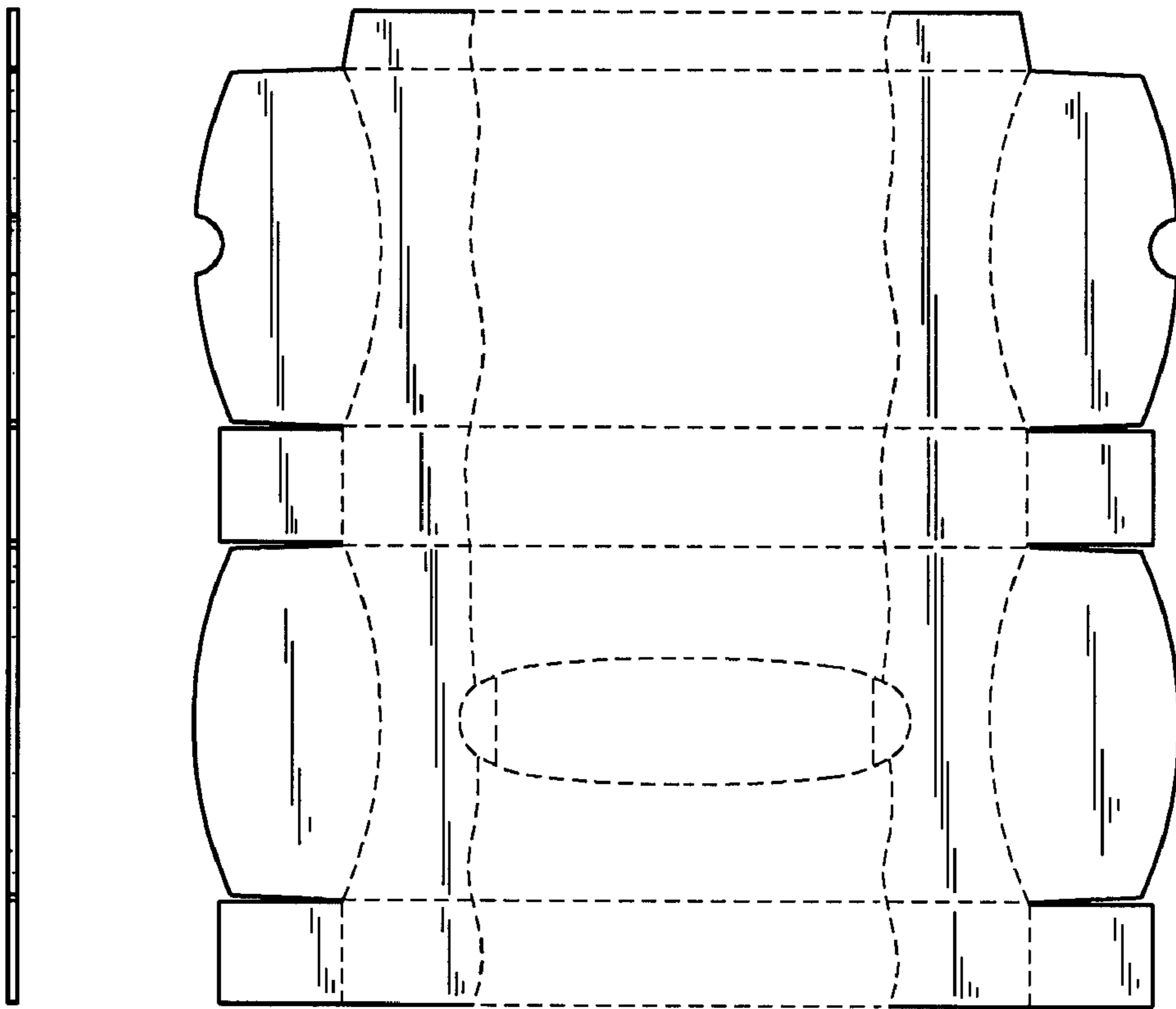


FIG. 10

FIG. 7



FIG. 9