



US00D568762S

(12) **United States Design Patent**  
**Keberlein**

(10) **Patent No.:** **US D568,762 S**  
(45) **Date of Patent:** **\*\* May 13, 2008**

(54) **TISSUE CONTAINER**

(75) Inventor: **Gerald J. Keberlein**, Hortonville, WI (US)

(73) Assignee: **Trinova Design, LLC**, Appleton, WI (US)

(\*\*) Term: **14 Years**

(21) Appl. No.: **29/277,064**

(22) Filed: **Feb. 12, 2007**

(51) **LOC (8) Cl.** ..... **09-01**

(52) **U.S. Cl.** ..... **D9/734; D9/433**

(58) **Field of Classification Search** ..... D9/730,  
D9/734, 414-418, 430-433; D7/631; 206/223,  
206/233, 449, 455, 556, 784; 229/75, 122,  
229/125.39, 200, 205, 207, 240, 242; 40/124.08  
See application file for complete search history.

(56) **References Cited**

U.S. PATENT DOCUMENTS

|                |         |                  |       |           |
|----------------|---------|------------------|-------|-----------|
| D248,375 S *   | 7/1978  | Bergstein        | ..... | D9/415    |
| 4,420,080 A *  | 12/1983 | Nakamura         | ..... | 206/449   |
| D303,500 S *   | 9/1989  | Colla            | ..... | D9/414    |
| D422,210 S *   | 4/2000  | Sturkie et al.   | ..... | D9/415    |
| D429,463 S *   | 8/2000  | Liberto          | ..... | D9/418    |
| 6,173,515 B1 * | 1/2001  | Walsh            | ..... | 40/124.08 |
| D438,105 S *   | 2/2001  | Conner et al.    | ..... | D9/430    |
| D509,728 S *   | 9/2005  | Kato             | ..... | D9/415    |
| D556,053 S *   | 11/2007 | Keberlein et al. | ..... | D9/734    |

\* cited by examiner

*Primary Examiner*—Mitchell Siegel

*Assistant Examiner*—Shanda C. Hill

(74) *Attorney, Agent, or Firm*—Whyte Hirschboeck Dudek SC

(57) **CLAIM**

The ornamental design for a tissue container, as shown and described.

**DESCRIPTION**

FIG. 1 is a perspective view of the first embodiment of a tissue container showing my new design;

FIG. 2 is a top view thereof;

FIG. 3 is a bottom view thereof;

FIG. 4 is a right side view thereof, with the left side view being identical to the right side view;

FIG. 5 is a front view thereof, with the rear view being identical to the front view;

FIG. 6 is a perspective view of the tissue container of FIG. 1 shown in an unfolded position;

FIG. 7 is a front view thereof with the rear view being identical to the rear view;

FIG. 8 is a top view thereof;

FIG. 9 is a bottom view thereof;

FIG. 10 is a left side view thereof with the right side view being identical to the left side view;

FIG. 11 is a perspective view of the second embodiment of a tissue container;

FIG. 12 is a top view thereof;

FIG. 13 is a bottom view thereof;

FIG. 14 is a right side view thereof, with the left side view being identical to the right side view;

FIG. 15 is a front view thereof, with the rear view being identical to the front view;

FIG. 16 is a perspective view of the tissue container of FIG. 11 shown in an unfolded position;

FIG. 17 is a front view thereof with the rear view being identical to the front view;

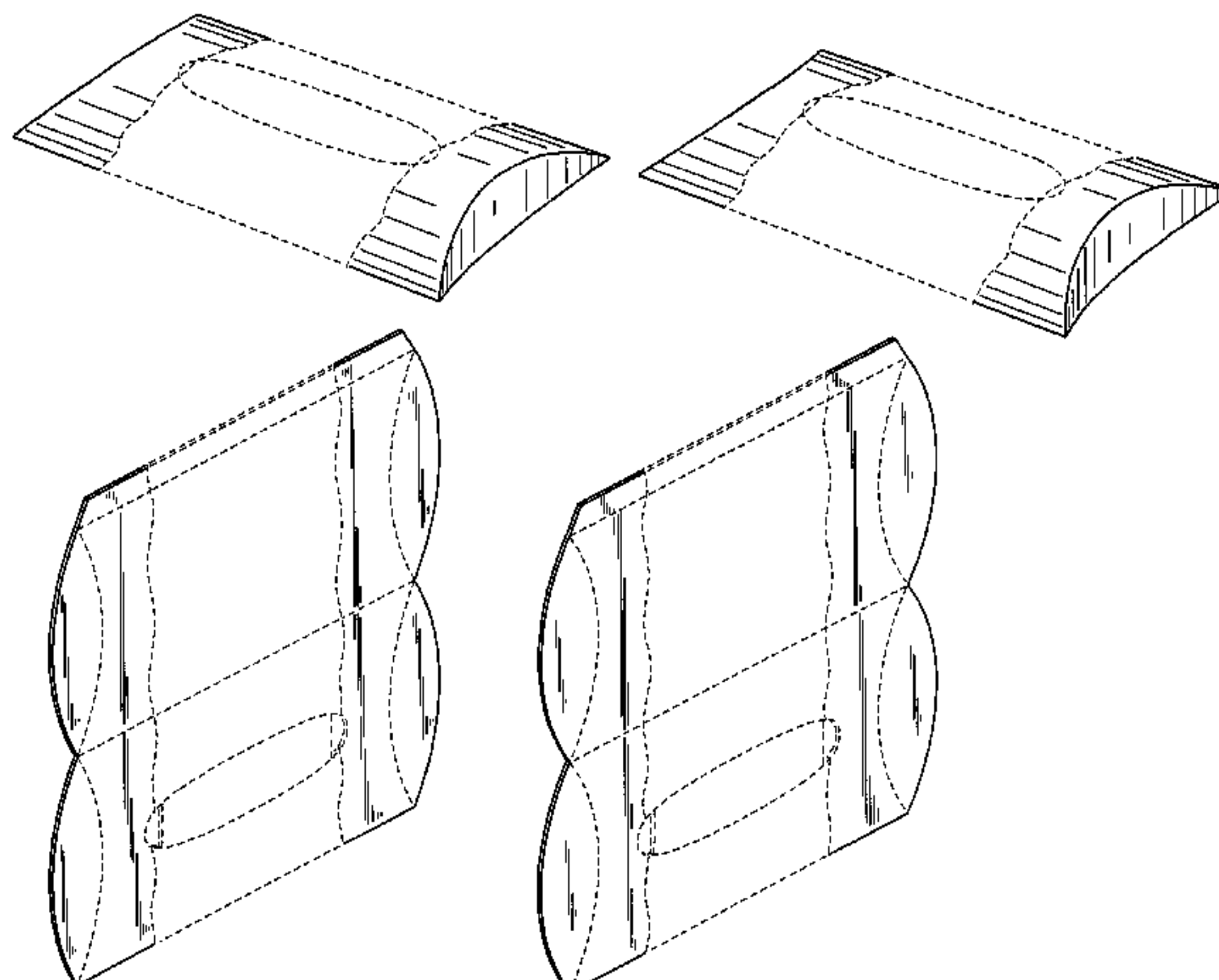
FIG. 18 is a top view thereof;

FIG. 19 is a bottom view thereof; and,

FIG. 20 is a left side view thereof with the right side view being identical to the left side view.

The broken lines shown in the drawing disclosure are for illustrative purposes only and form no part of the claimed design.

**1 Claim, 8 Drawing Sheets**



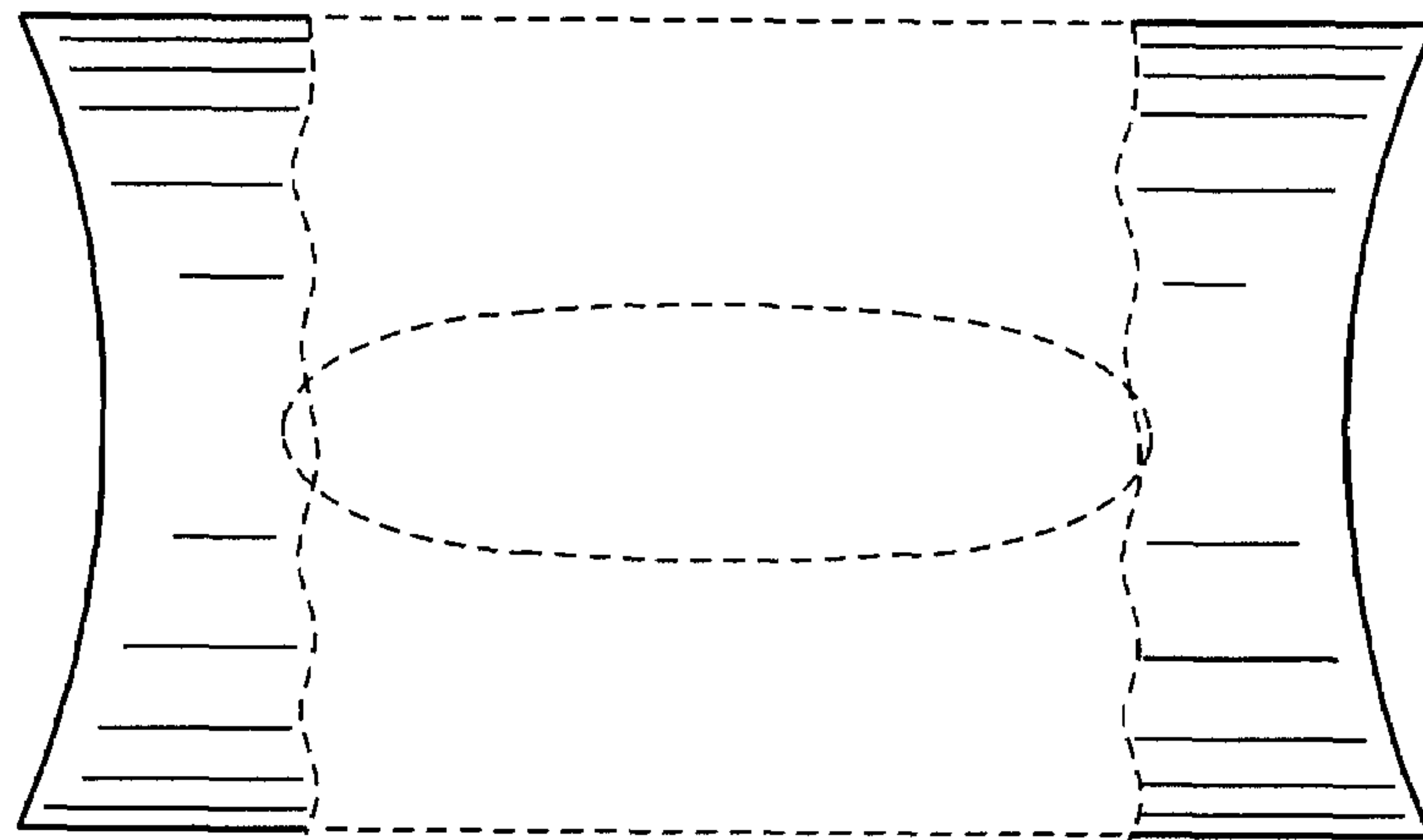
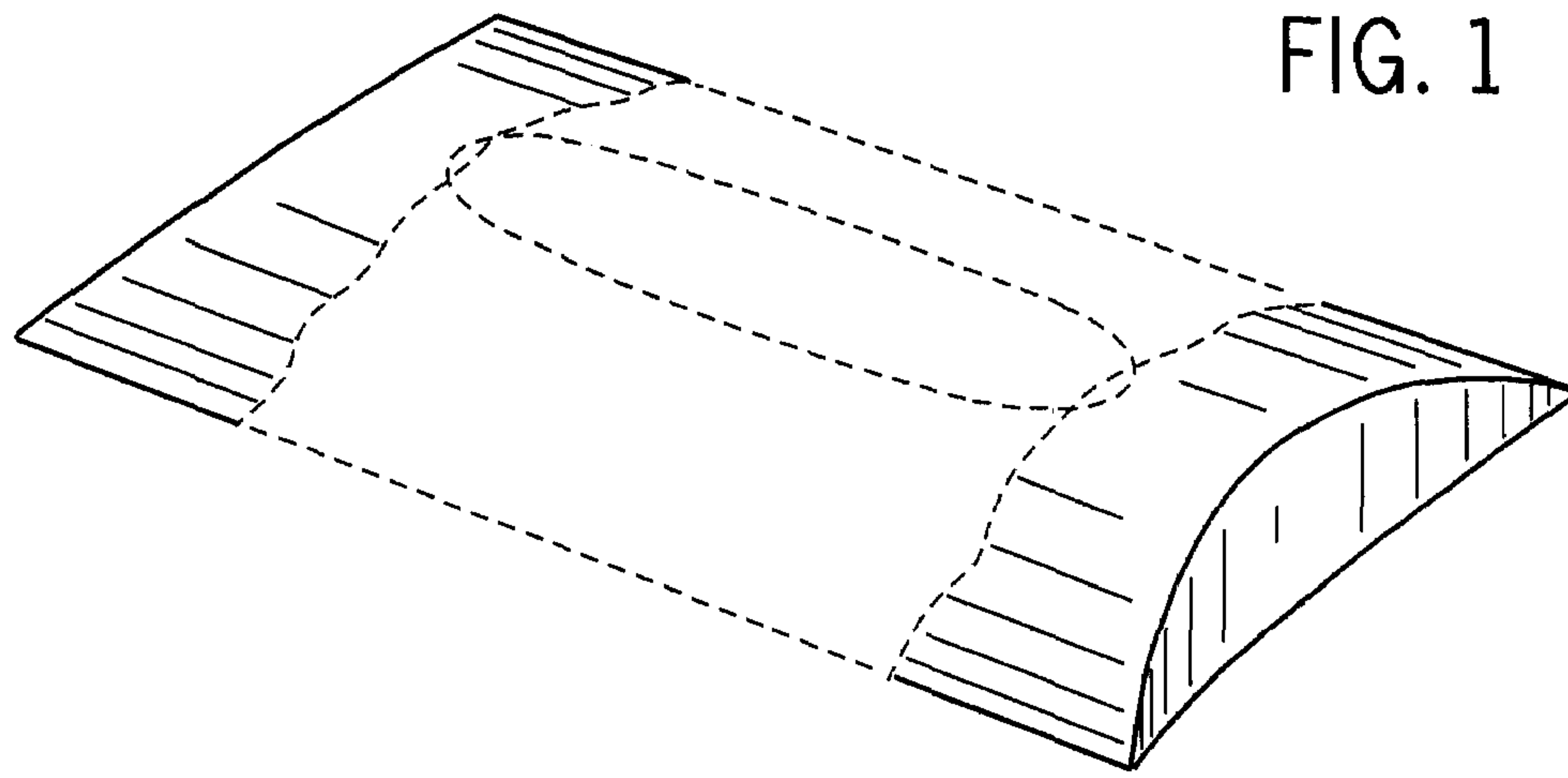


FIG. 3

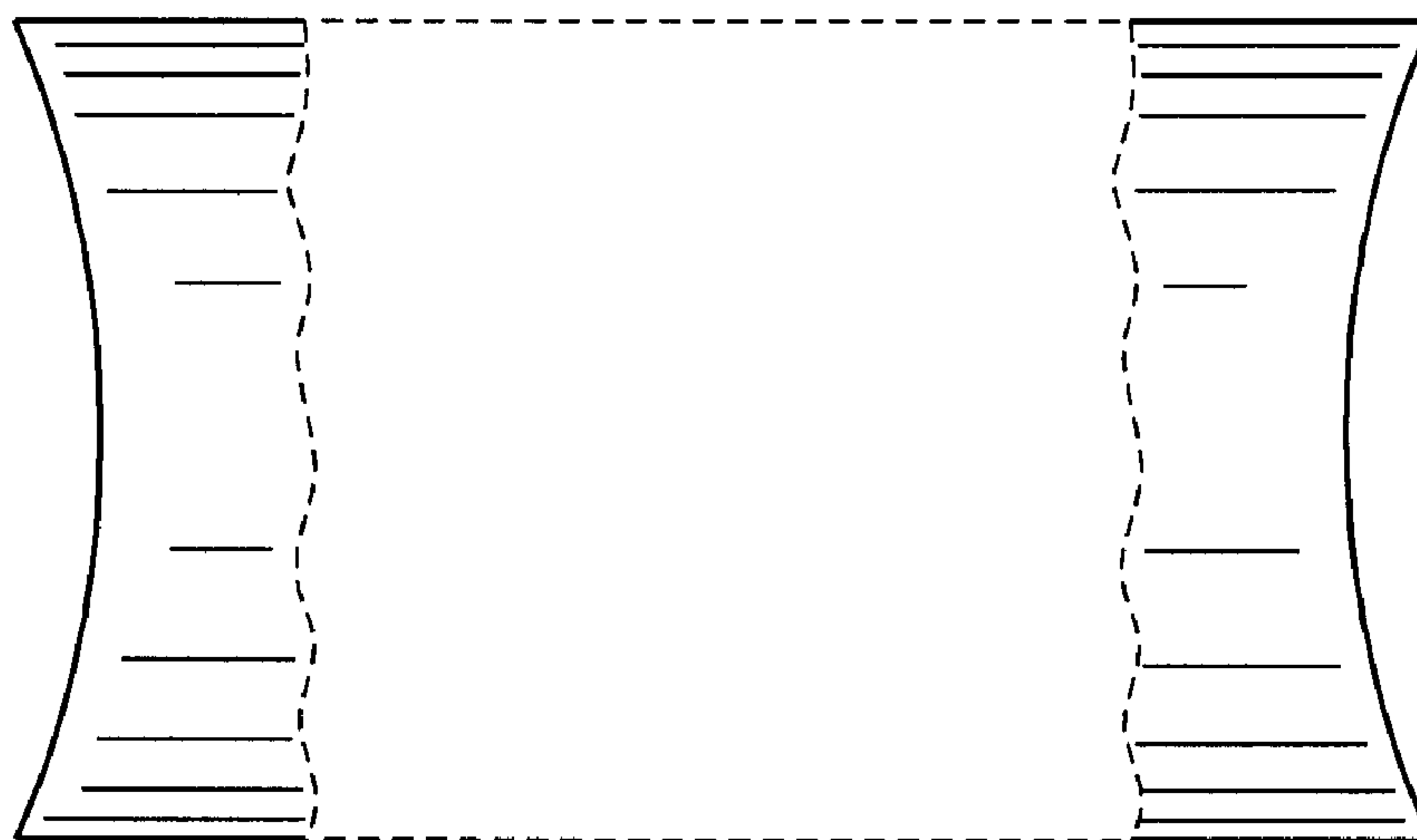


FIG. 4

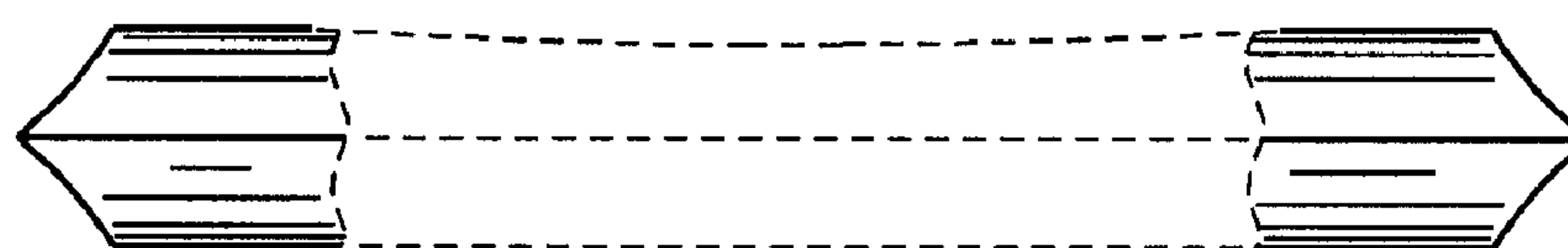
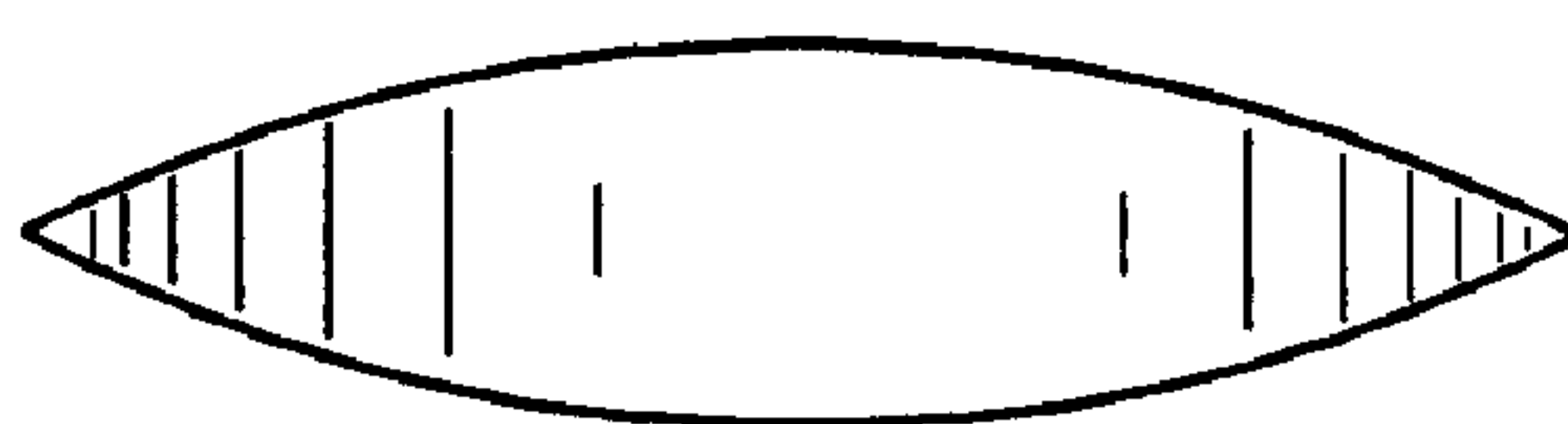


FIG. 5

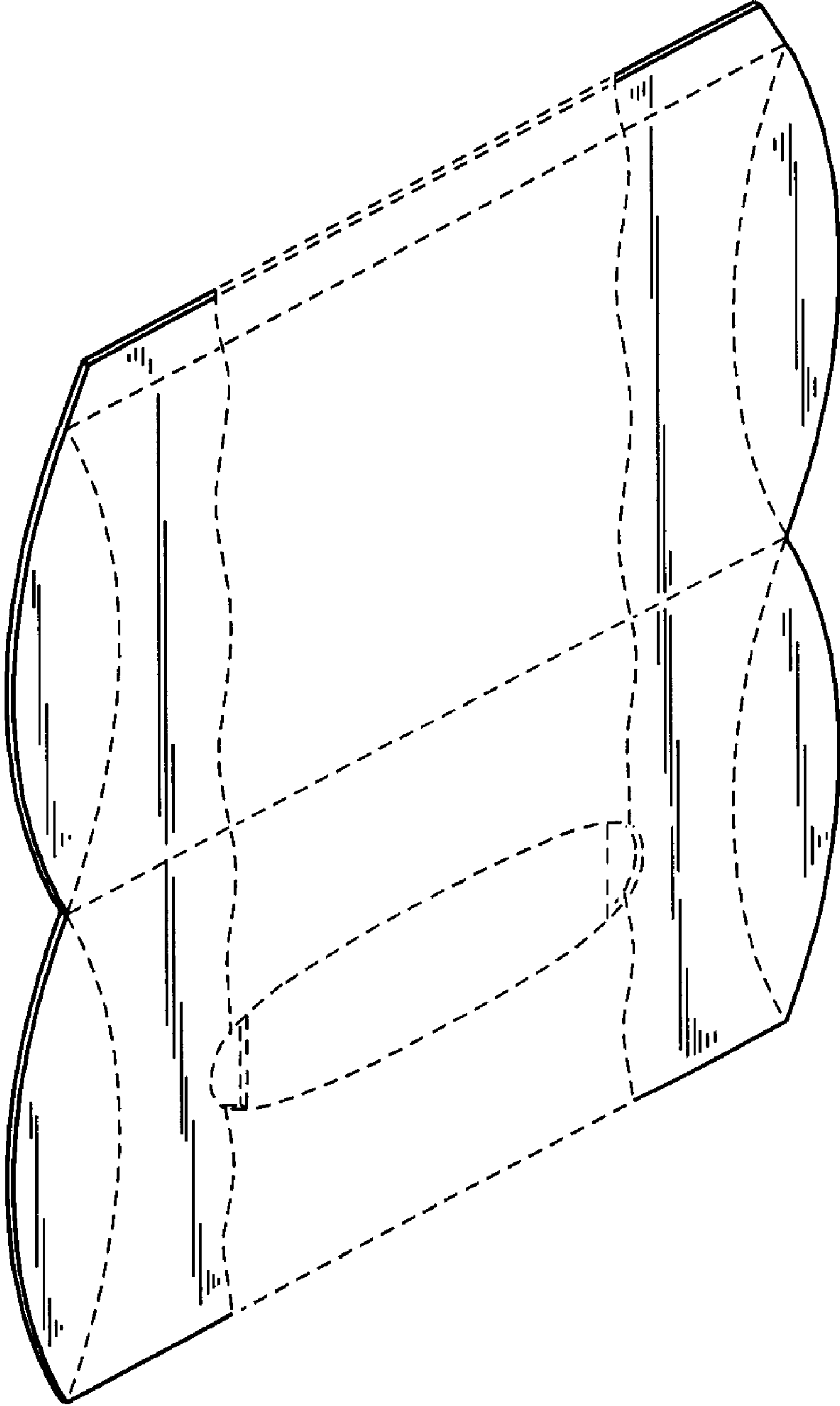


FIG. 6

FIG. 8

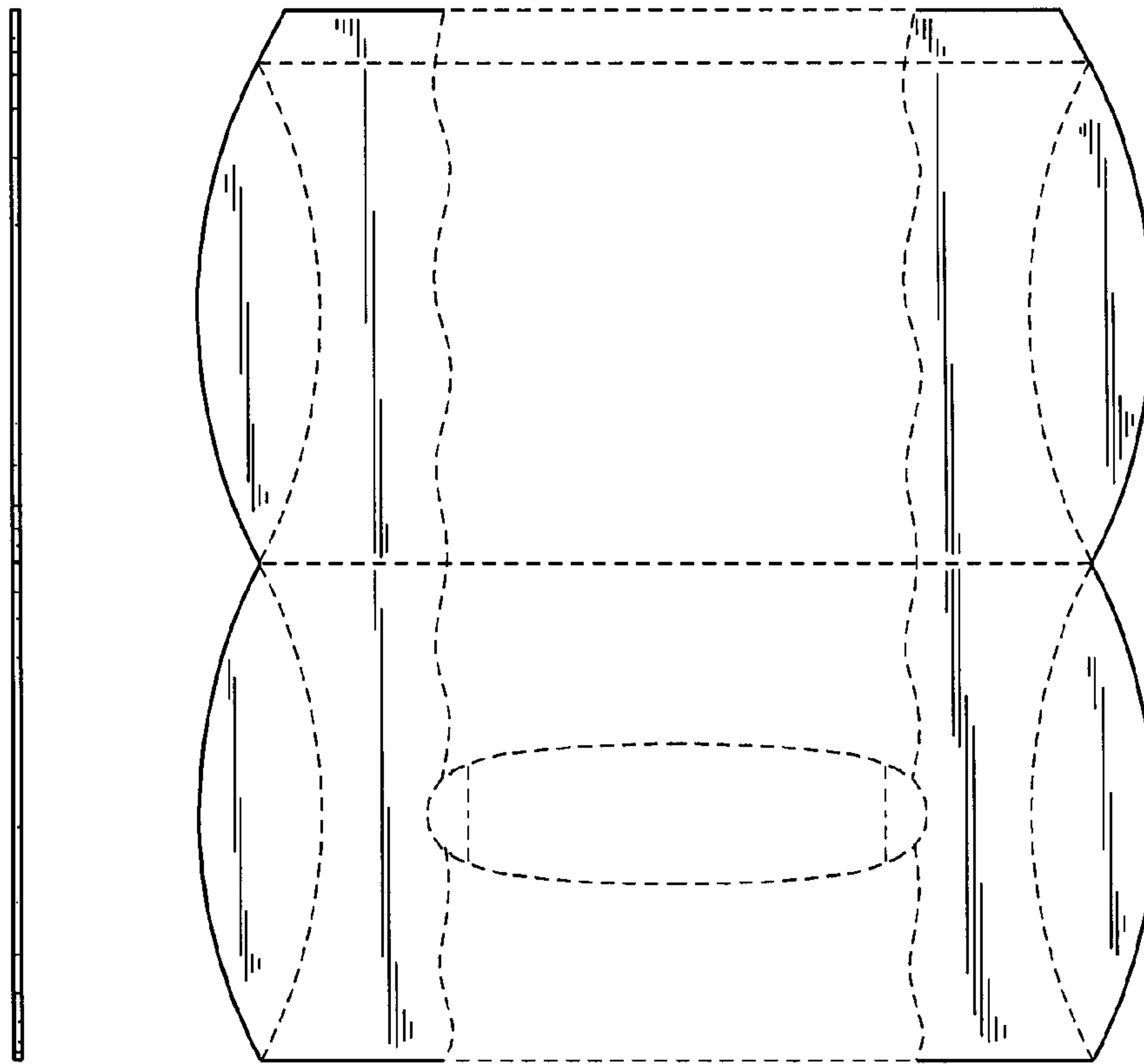
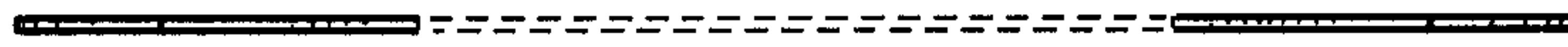


FIG. 10

FIG. 7

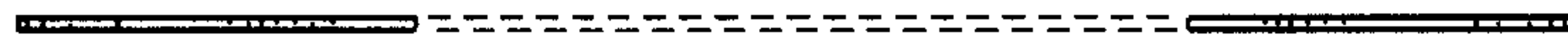


FIG. 9

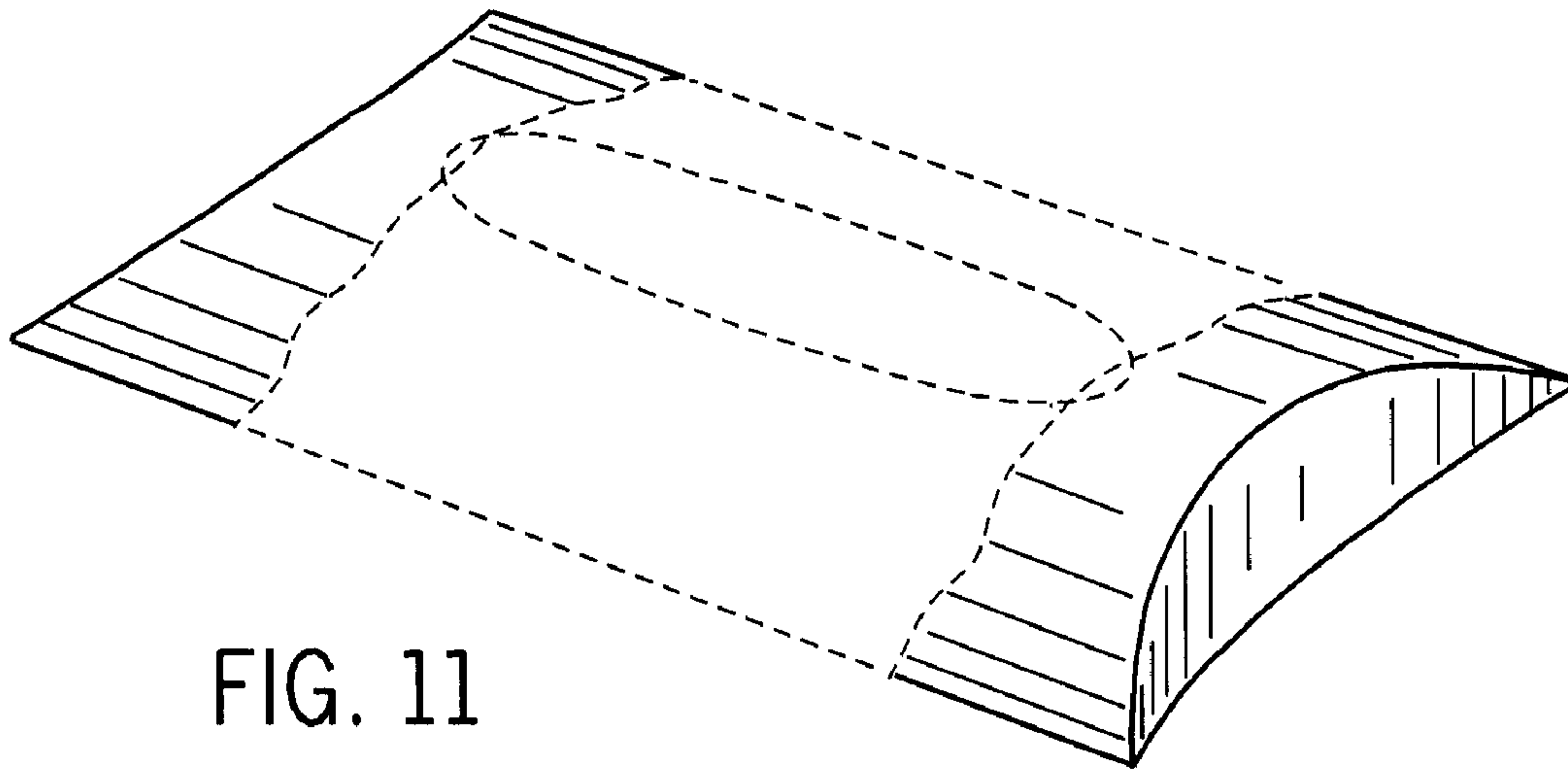


FIG. 11

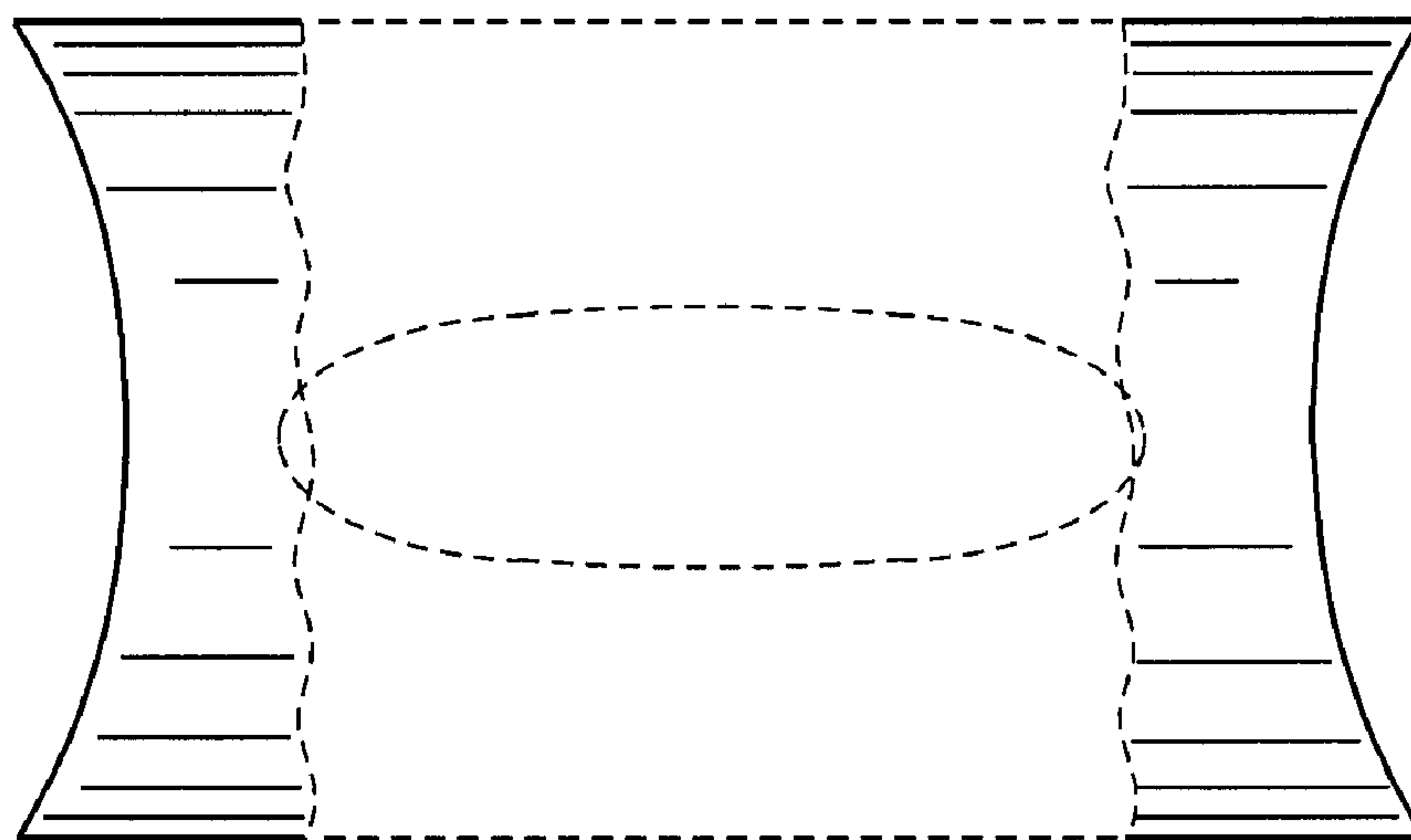


FIG. 12

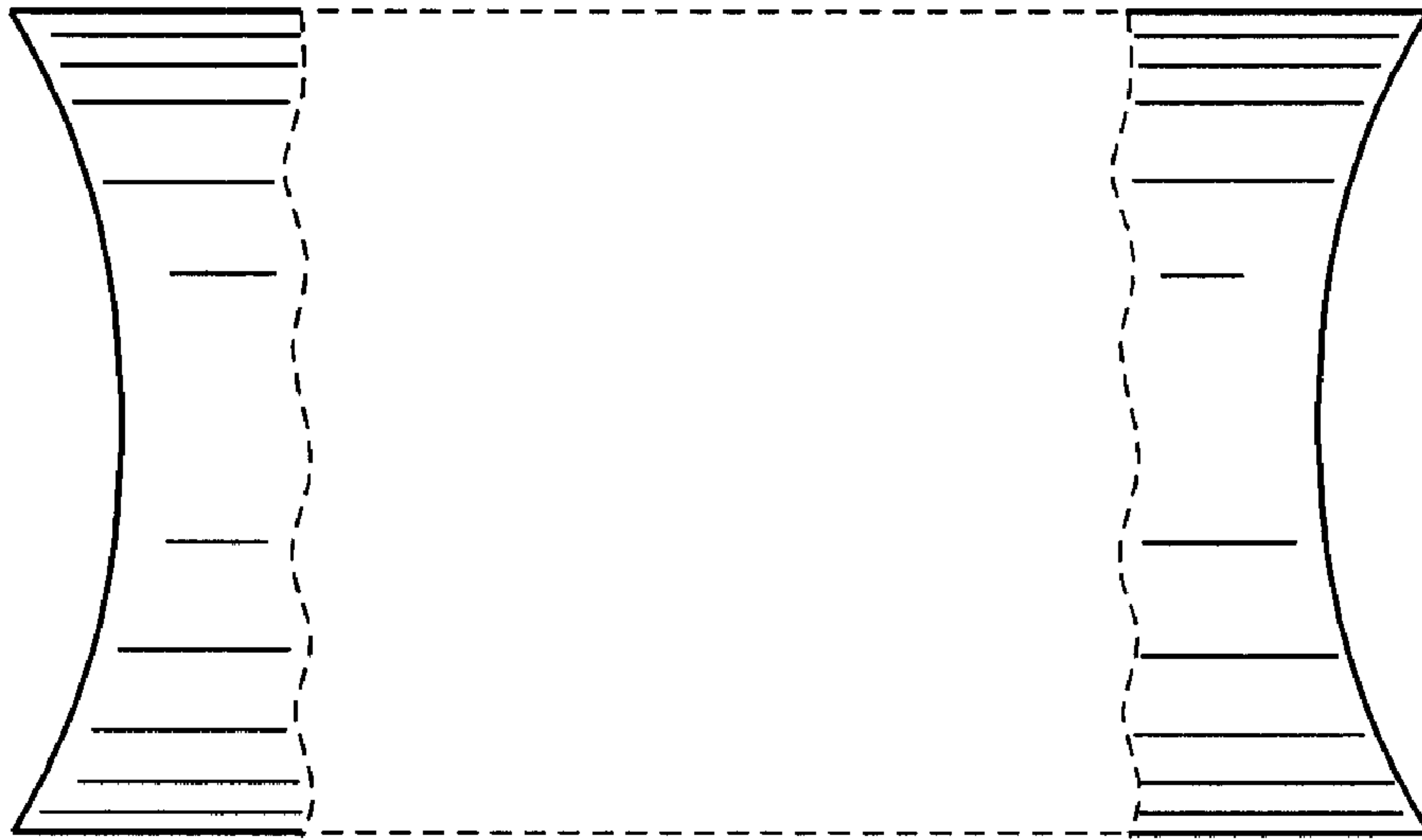


FIG. 13

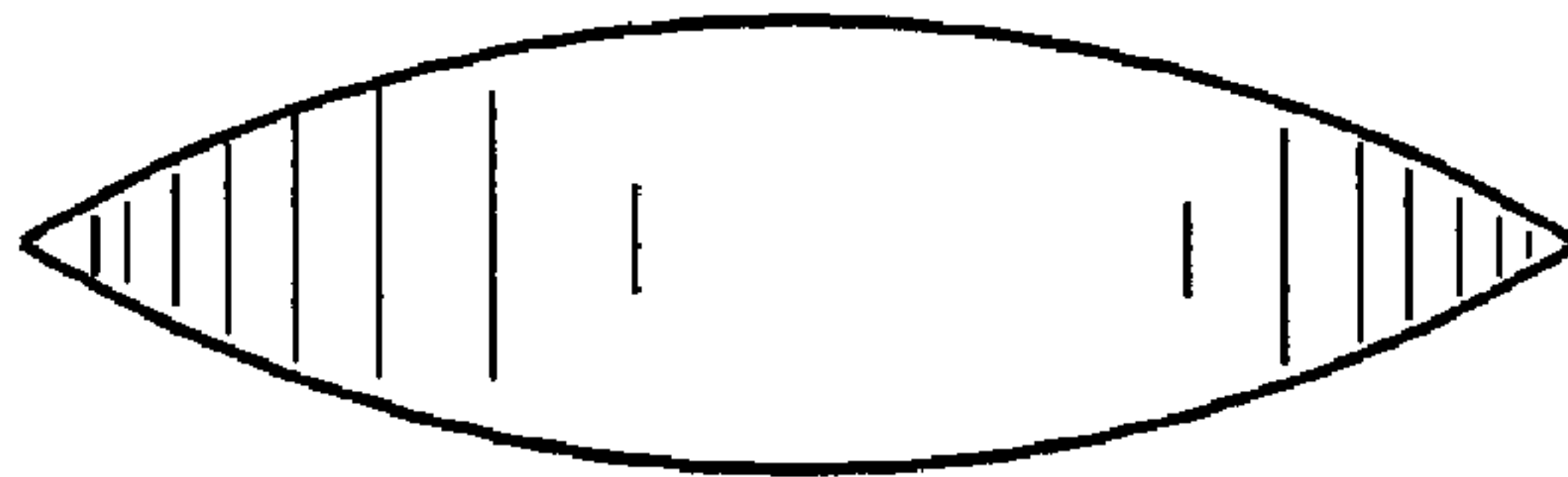


FIG. 14

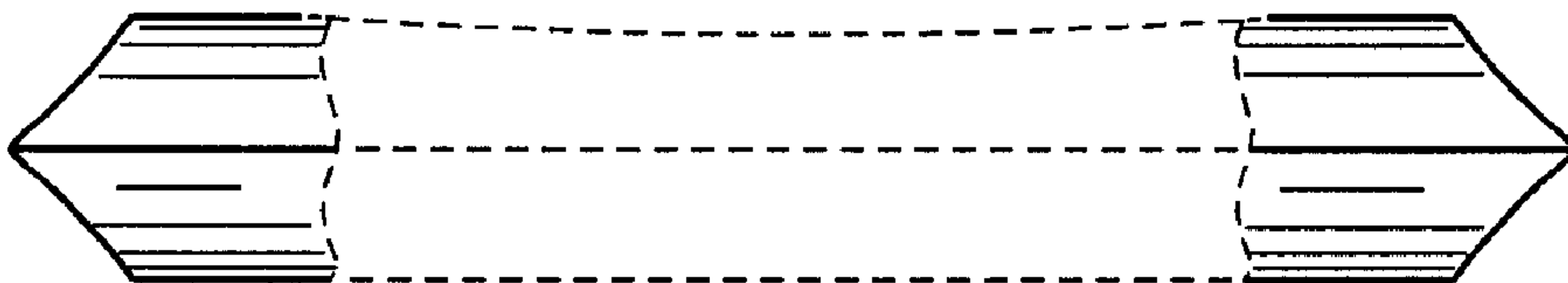


FIG. 15



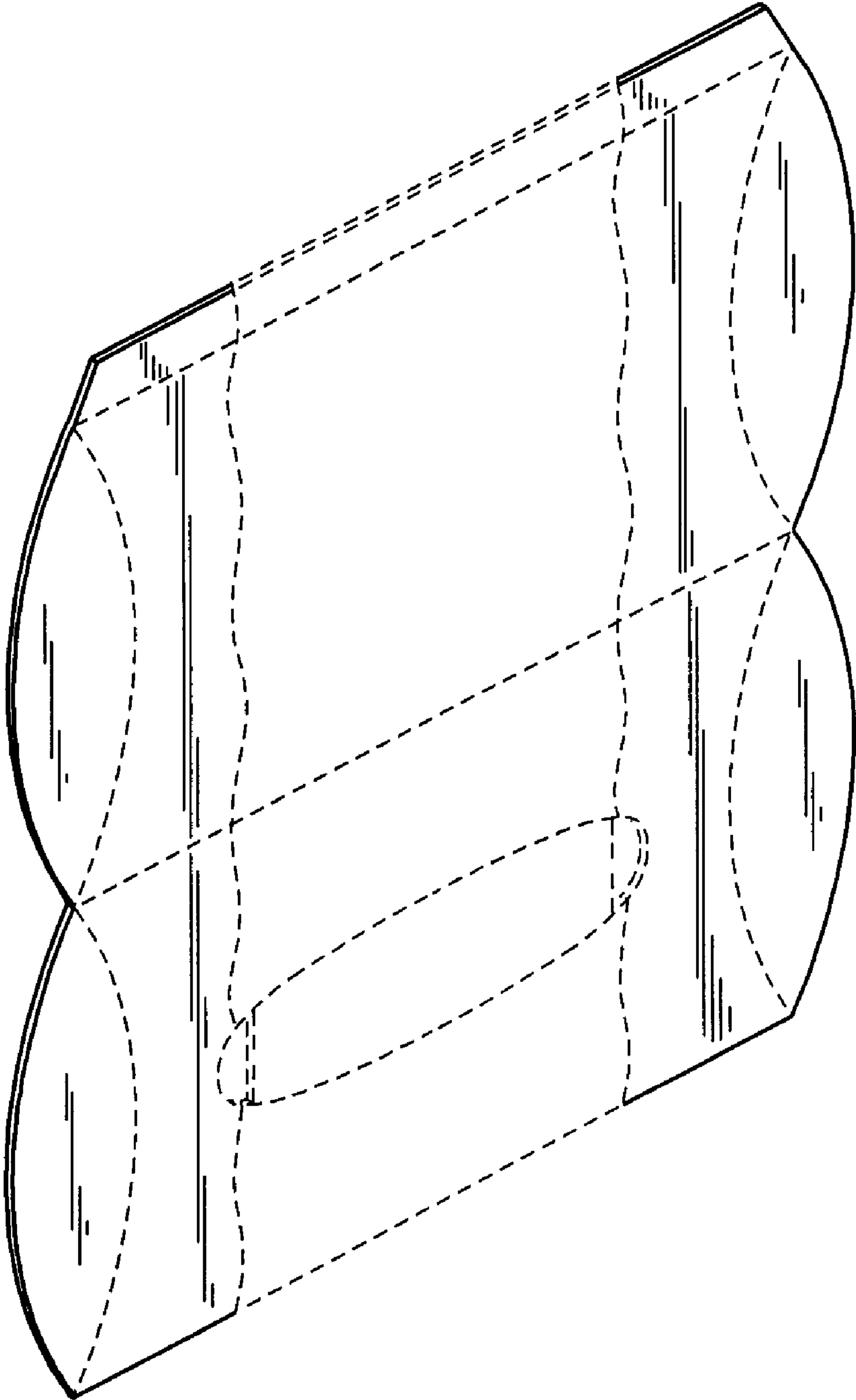


FIG. 16



FIG. 18

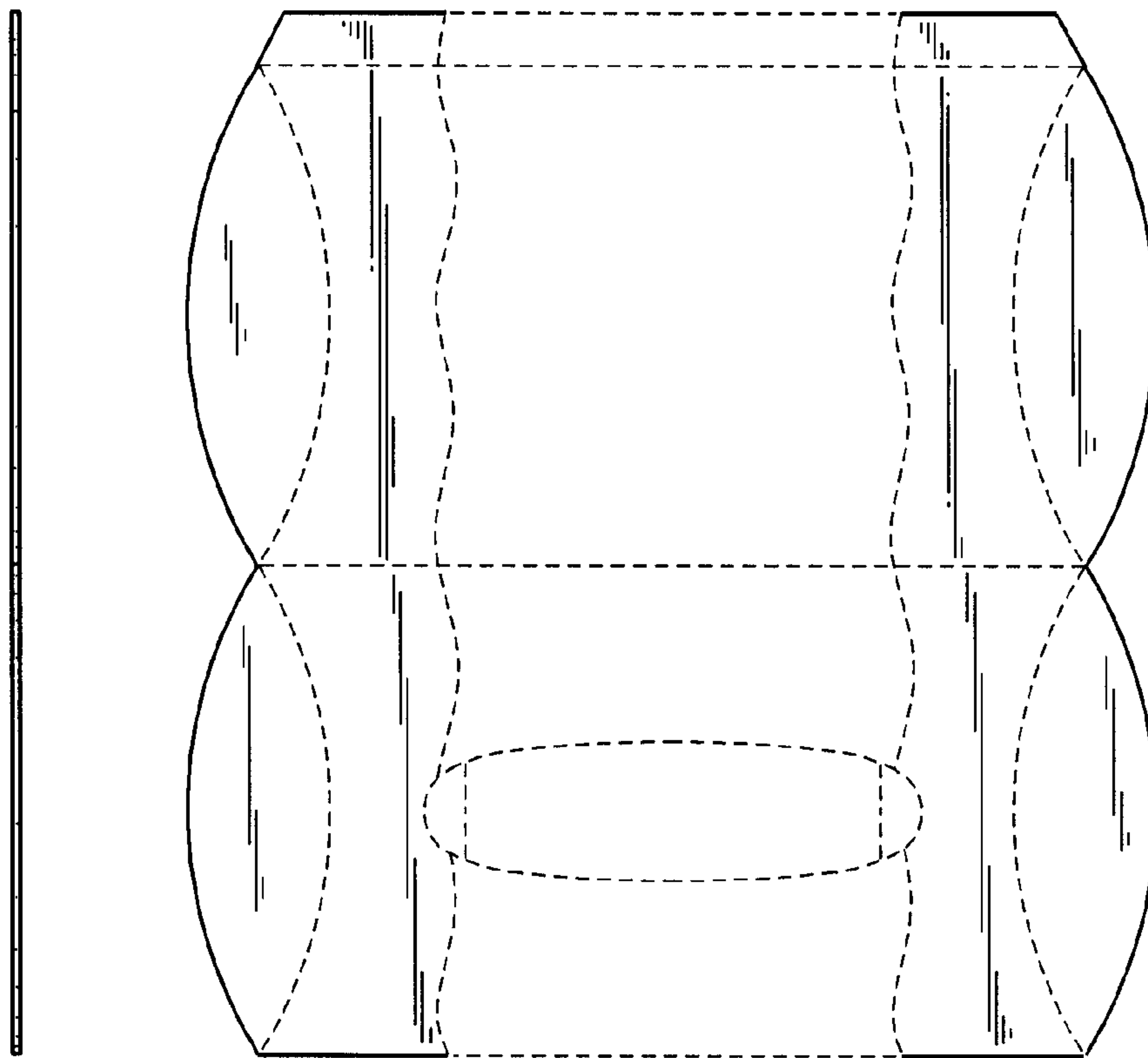
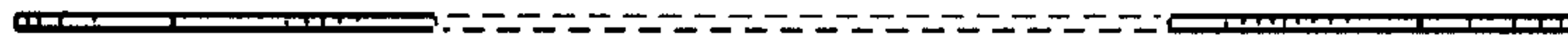


FIG. 20

FIG. 17

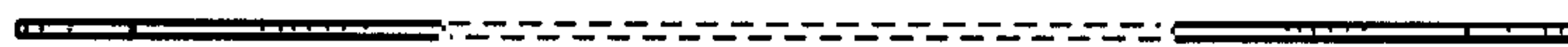


FIG. 19