



US00D568761S

(12) **United States Design Patent**  
**Yoon**

(10) **Patent No.:** **US D568,761 S**

(45) **Date of Patent:** **\*\* May 13, 2008**

(54) **CONFECTIONARY CONTAINER**

(75) Inventor: **Jeongmin Yoon**, Anyang (KR)

(73) Assignee: **GF Co., Ltd.**, Anyang Kyunggi-Do (KR)

(\*\*) Term: **14 Years**

(21) Appl. No.: **29/280,269**

(22) Filed: **May 22, 2007**

(51) **LOC (8) Cl.** ..... **09-01**

(52) **U.S. Cl.** ..... **D9/730**

(58) **Field of Classification Search** ..... D9/417,  
D9/500-504, 529, 723-727, 729-731; D3/201,  
D3/203.2; D28/76, 90; 206/457, 536; 221/154;  
222/579

See application file for complete search history.

(56) **References Cited**

**U.S. PATENT DOCUMENTS**

D292,372 S *	10/1987	Sykes	.....	D3/203.2
5,141,129 A *	8/1992	Jennings	.....	221/154
D341,226 S *	11/1993	Lang et al.	.....	D28/76
D366,827 S *	2/1996	Rothman	.....	D9/730
D367,225 S *	2/1996	Rothman	.....	D9/730
D375,256 S *	11/1996	Chadfield	.....	D9/724
5,709,306 A *	1/1998	Hofmann	.....	206/536

D391,491 S *	3/1998	Lang	.....	D9/529
5,947,345 A *	9/1999	Hofmann	.....	222/519
D425,411 S *	5/2000	May	.....	D9/730
D448,153 S *	9/2001	Schoenfeld	.....	D3/201
D511,090 S *	11/2005	Devine	.....	D9/417
D541,479 S *	4/2007	Cronin et al.	.....	D28/90

\* cited by examiner

*Primary Examiner*—Mitchell Siegel

*Assistant Examiner*—Shanda C. Hill

(74) *Attorney, Agent, or Firm*—IPLA P.A.; James E. Bame

(57) **CLAIM**

The ornamental design for a confectionary container, as shown and described.

**DESCRIPTION**

FIG. 1 is a perspective view of a confectionary container showing my new design;

FIG. 2 is a front elevational view thereof, the opposite side being a mirror image;

FIG. 3 is a left side elevational view thereof;

FIG. 4 is a right side elevational view thereof;

FIG. 5 is a top plan view thereof; and,

FIG. 6 is a bottom plan view thereof.

**1 Claim, 3 Drawing Sheets**

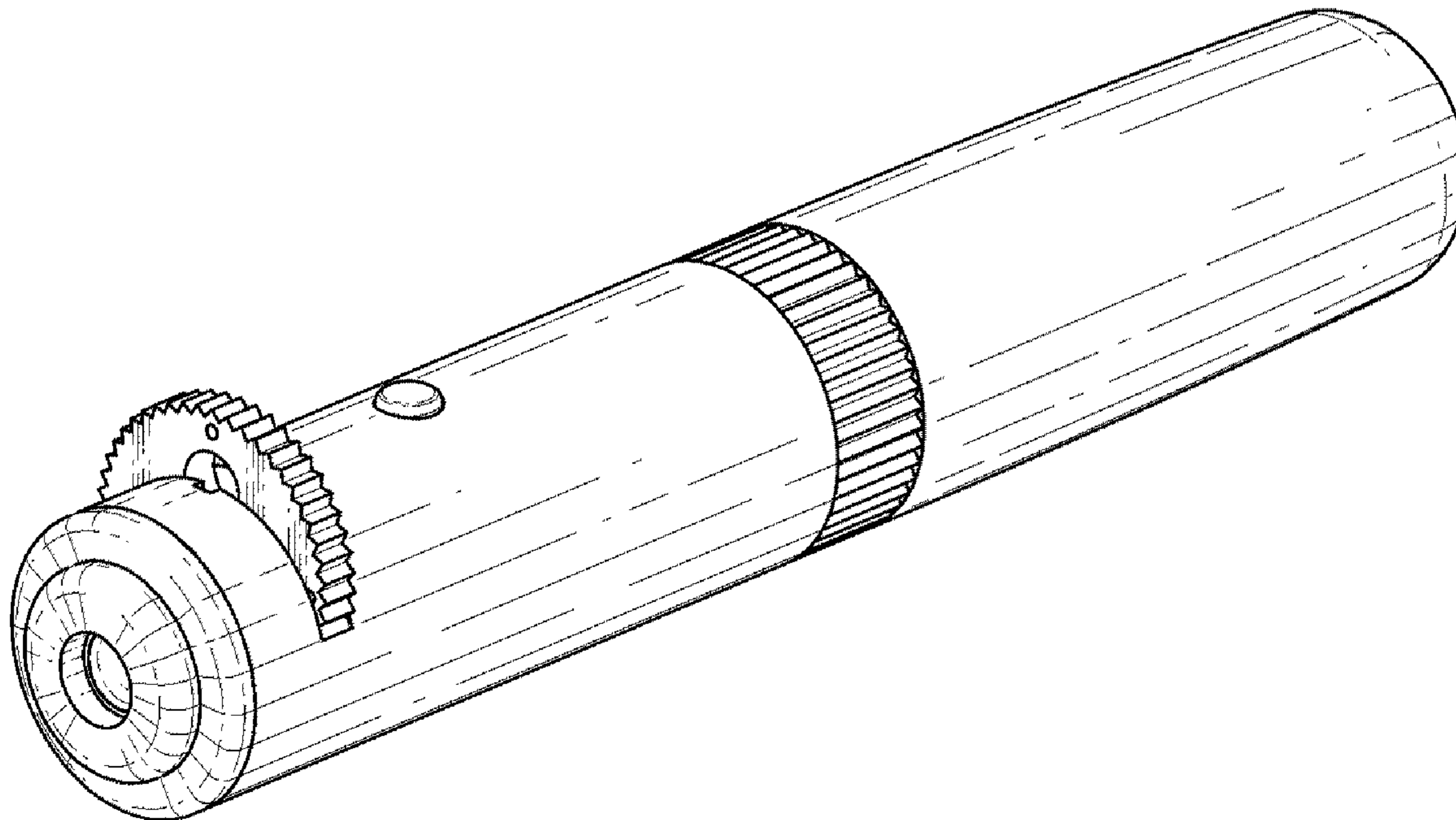


FIG. 1

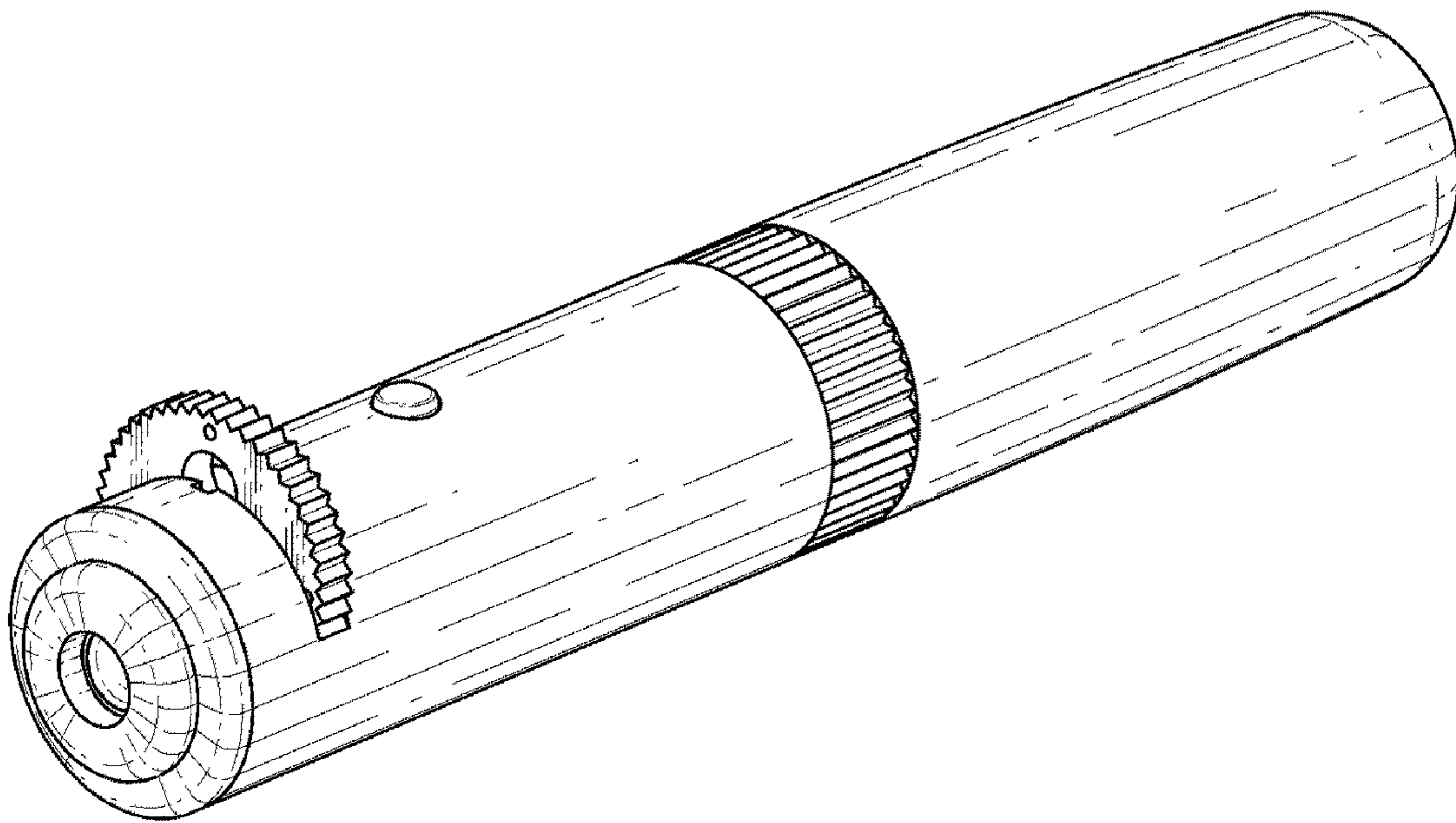


FIG. 2

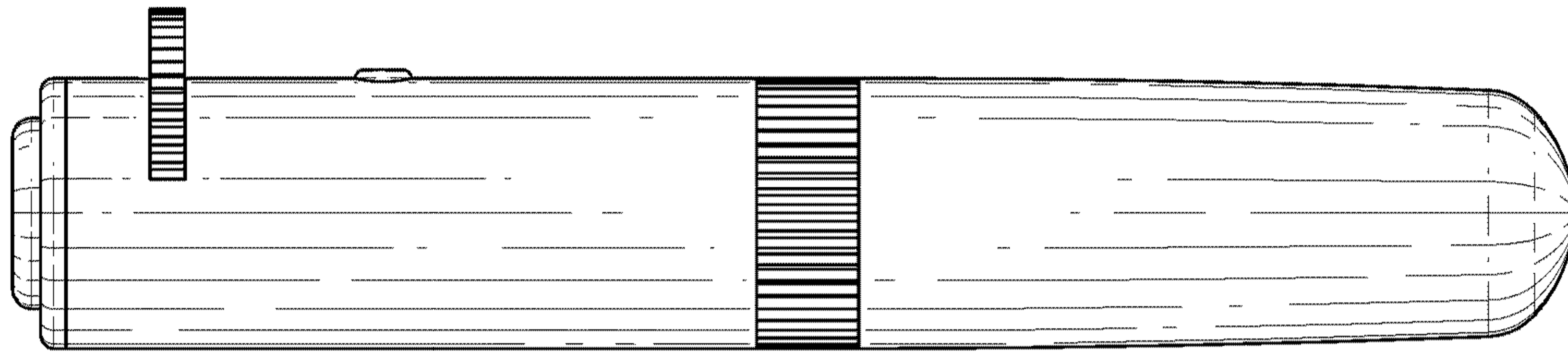


FIG. 3

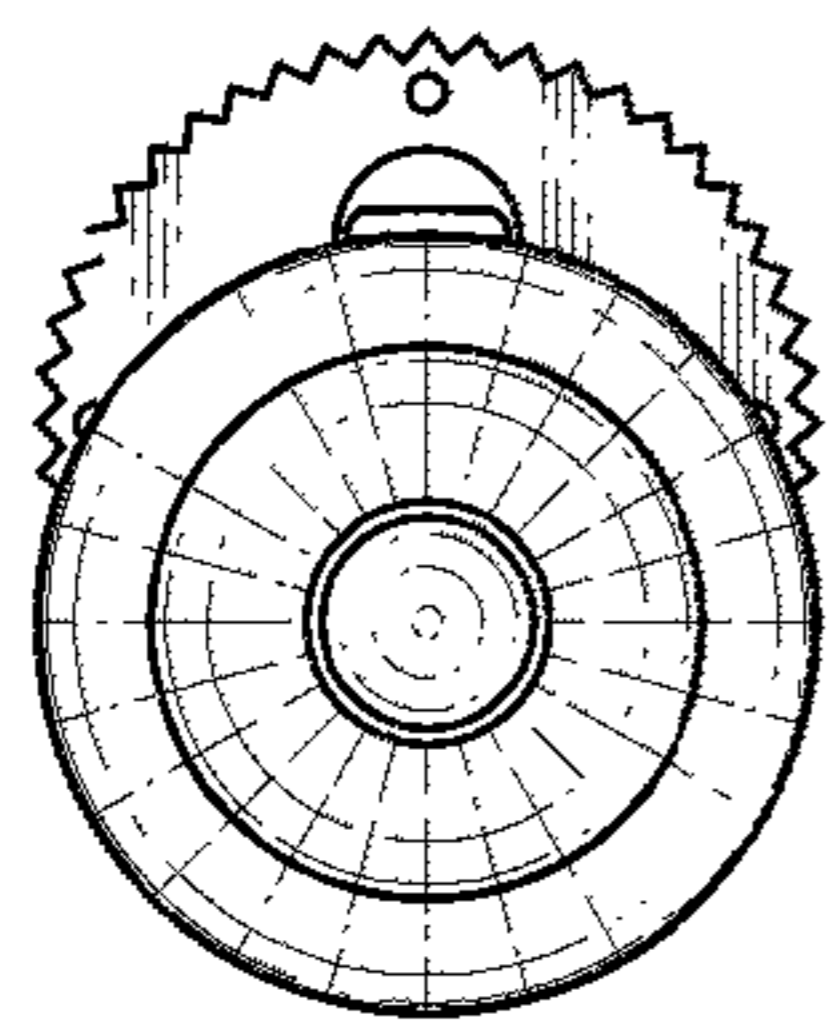


FIG. 4

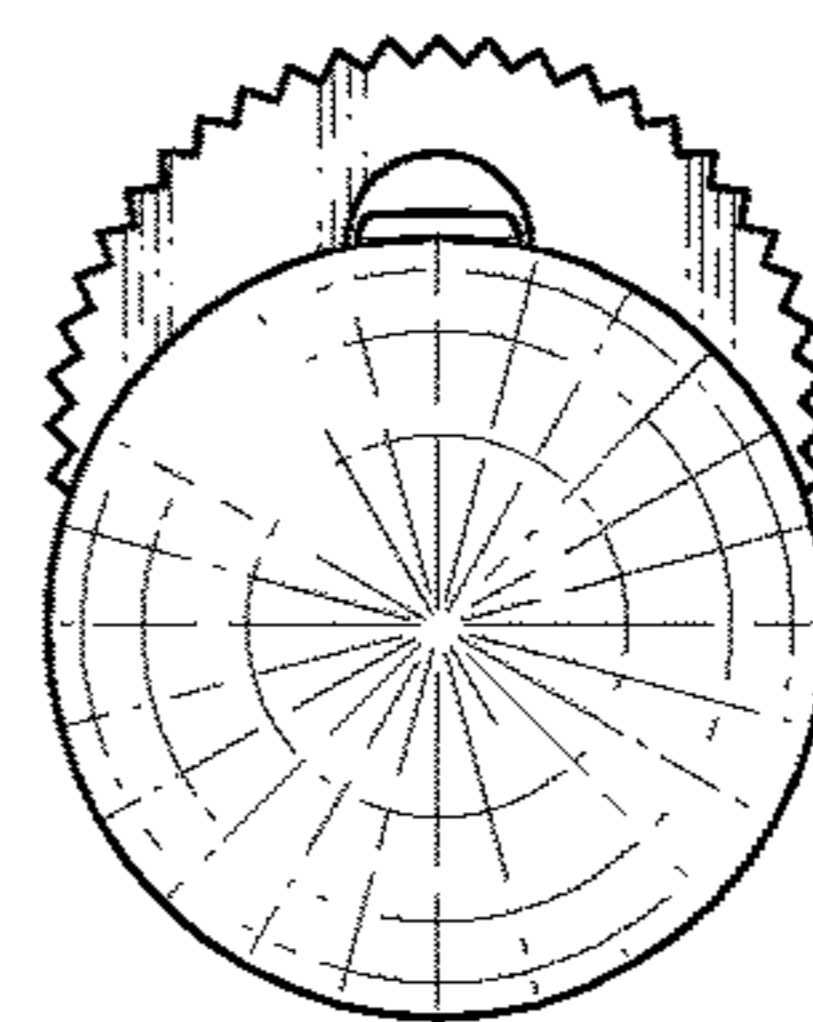


FIG. 5

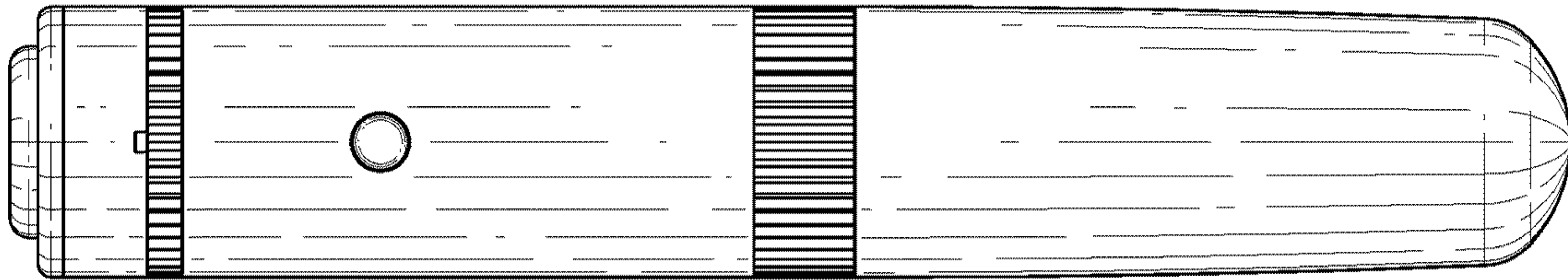


FIG. 6

