



US00D568751S

(12) **United States Design Patent**  
**Boon**

(10) **Patent No.:** **US D568,751 S**

(45) **Date of Patent:** **\*\* May 13, 2008**

(54) **BOTTLE**

(75) Inventor: **Yen Heng Boon**, Jalan Bukit Ho Swee (SG)

(73) Assignee: **Stokely-Van Camp, Inc.**, Chicago, IL (US)

(\*\*) Term: **14 Years**

(21) Appl. No.: **29/298,159**

(22) Filed: **Nov. 29, 2007**

**Related U.S. Application Data**

(62) Division of application No. 29/261,686, filed on Jun. 19, 2006, now Pat. No. Des. 561,037.

(51) **LOC (8) Cl.** ..... **09-01**

(52) **U.S. Cl.** ..... **D9/539; D9/551; D9/558**

(58) **Field of Classification Search** ..... D9/516, D9/520, 530, 537-546, 548-549, 551-552, D9/556-560, 564-565, 571-575, 667, 682, D9/687-694; D7/509-511; 215/381-385, 215/396, 398

See application file for complete search history.

(56) **References Cited**

**U.S. PATENT DOCUMENTS**

D442,474 S *	5/2001	Piccioli et al. ....	D9/667
D446,446 S *	8/2001	Bretz et al. ....	D9/667
D446,711 S *	8/2001	Bretz et al. ....	D9/667
D466,819 S *	12/2002	Darr et al. ....	D9/559
D470,773 S *	2/2003	Darr et al. ....	D9/538
D480,957 S *	10/2003	Mooney et al. ....	D9/656
D497,797 S *	11/2004	Knight et al. ....	D9/667
D502,877 S *	3/2005	Stockwell et al. ....	D9/667
D508,207 S *	8/2005	Knight et al. ....	D9/667
D511,973 S *	11/2005	Stockwell et al. ....	D9/667
D512,326 S *	12/2005	Stockwell et al. ....	D9/667
D512,327 S *	12/2005	Stockwell et al. ....	D9/667

D515,430 S *	2/2006	Venkataraman et al. ....	D9/538
D516,922 S *	3/2006	Stockwell et al. ....	D9/667
D519,036 S *	4/2006	Stockwell et al. ....	D9/667
D530,619 S *	10/2006	Stockwell et al. ....	D9/551
D535,885 S *	1/2007	Davis et al. ....	D9/538
D536,618 S *	2/2007	Davis et al. ....	D9/538
7,191,910 B2 *	3/2007	Deemer et al. ....	215/381
D547,199 S *	7/2007	Dill et al. ....	D9/667
2005/0121408 A1 *	6/2005	Deemer et al. ....	215/381

\* cited by examiner

*Primary Examiner*—Carol Rademaker

(74) *Attorney, Agent, or Firm*—Banner & Witcoff, Ltd.

(57) **CLAIM**

The ornamental design for a bottle, as shown and described.

**DESCRIPTION**

FIG. 1 is a top, front, and right side perspective view of a first embodiment of a bottle depicting the new design;

FIG. 2 is a right side elevation view thereof;

FIG. 3 is a front elevation view thereof;

FIG. 4 is top plan view thereof;

FIG. 5 is a bottom plan view thereof;

FIG. 6 is a top, front, and right side perspective view of a second embodiment of a bottle depicting the new design;

FIG. 7 is a right side elevation view thereof;

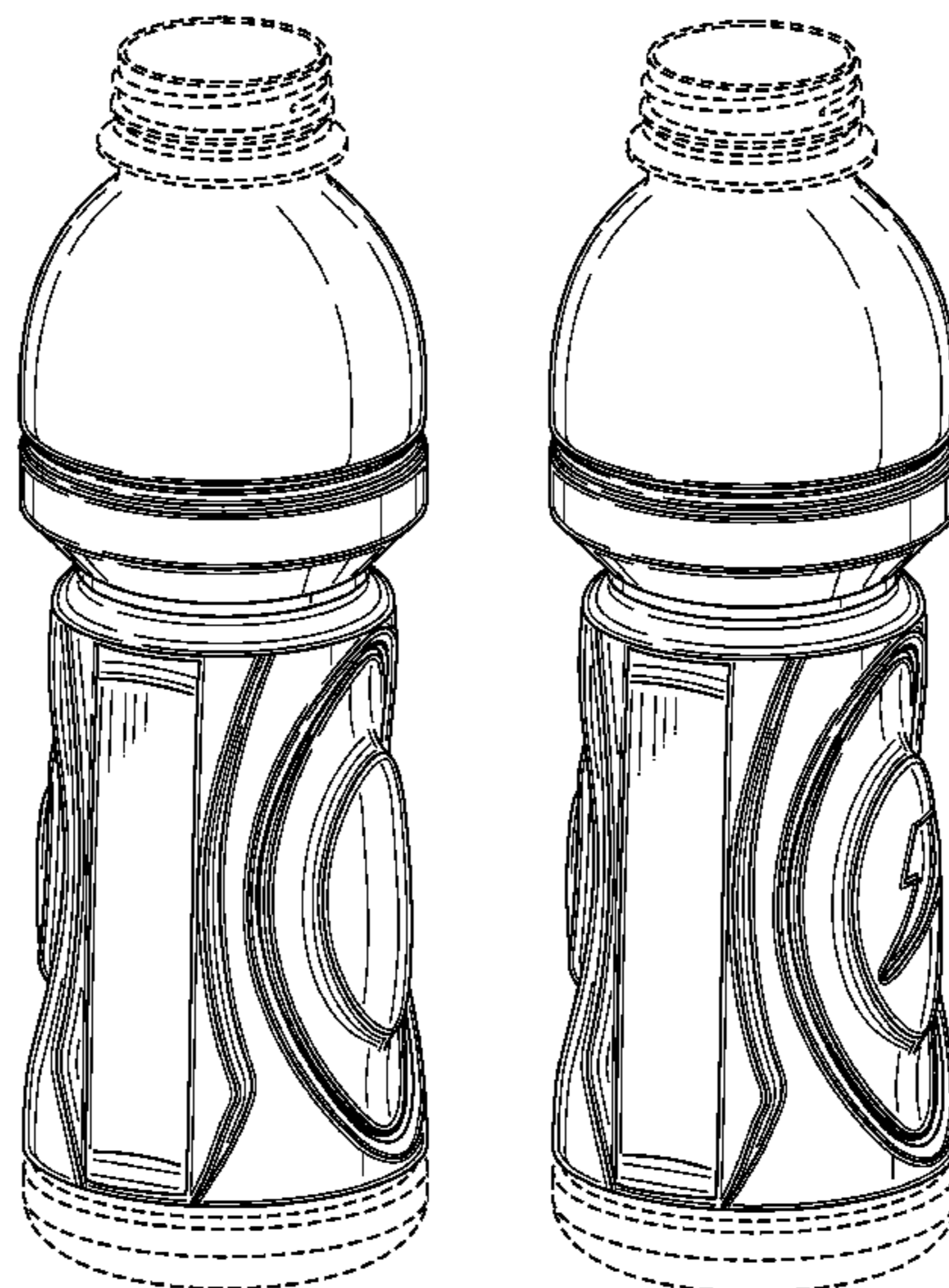
FIG. 8 is a front elevation view thereof;

FIG. 9 is top plan view thereof; and,

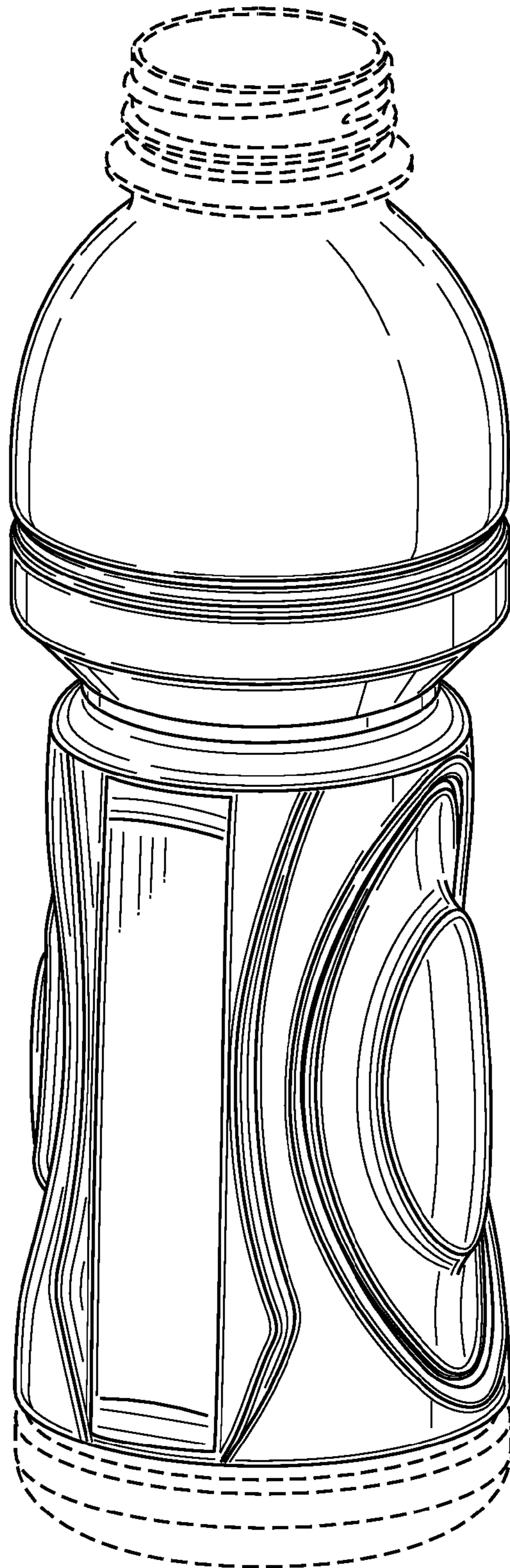
FIG. 10 is a bottom plan view thereof.

The dashed line shown in the drawings is for illustrative purposes only and forms no part of the claimed design. The dot-dash-dot line shown in the drawings defines the boundary of the claim and forms no part of the claimed design.

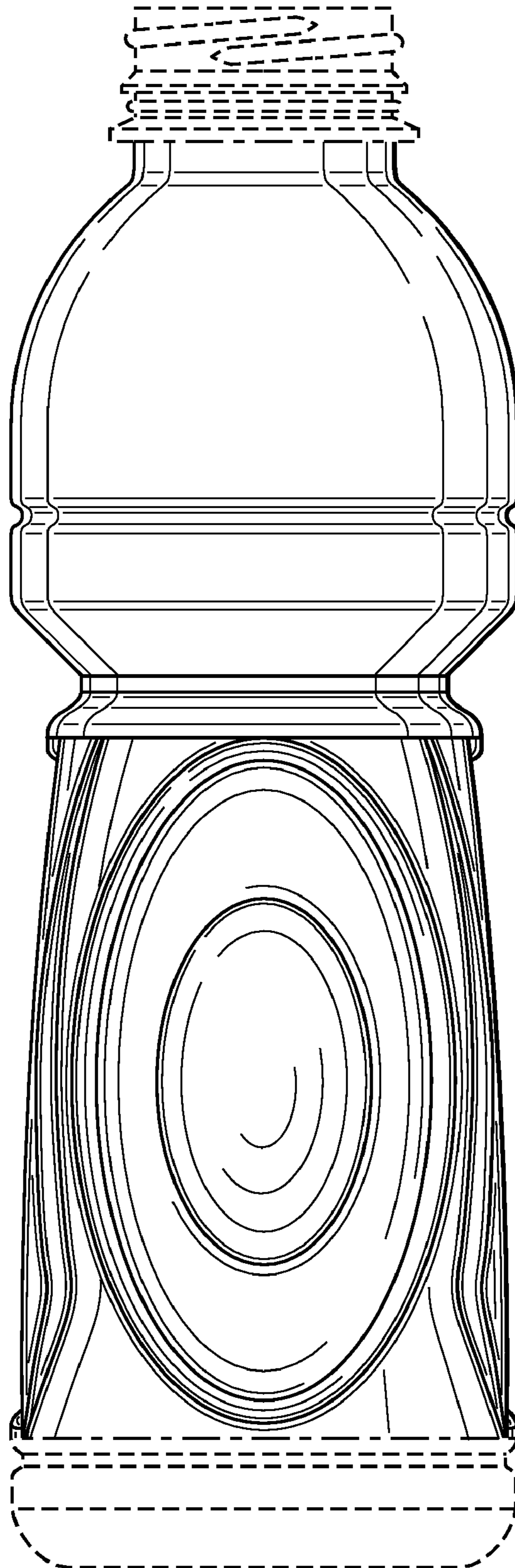
**1 Claim, 8 Drawing Sheets**



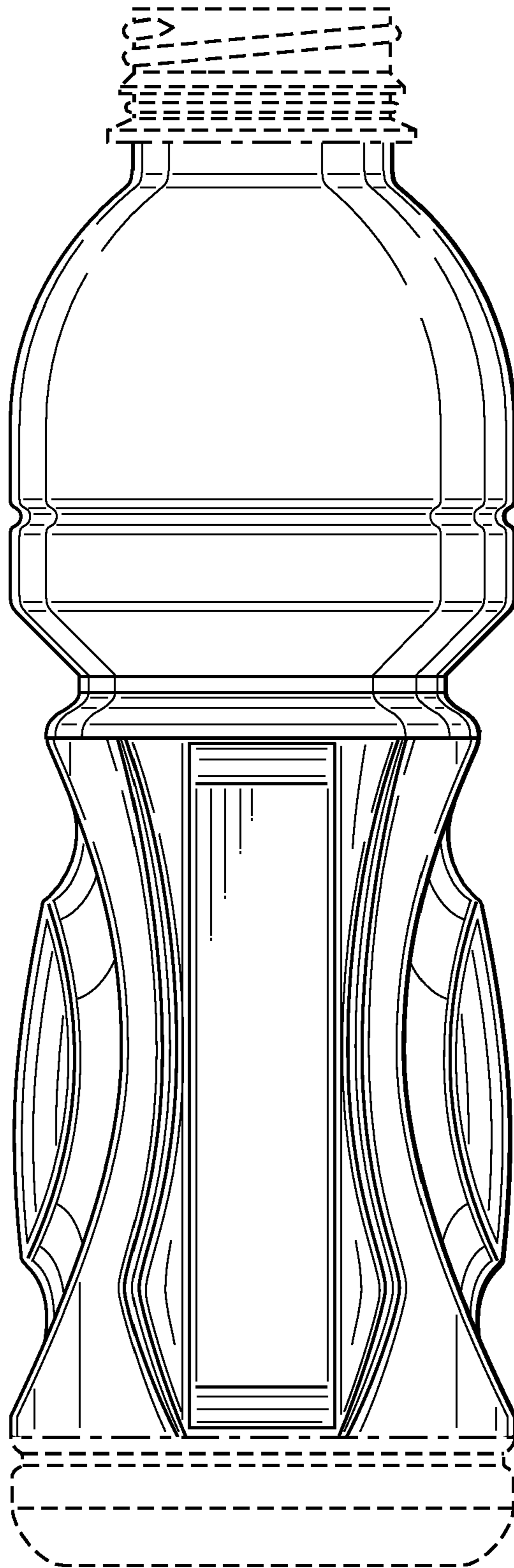
***Fig. 1***



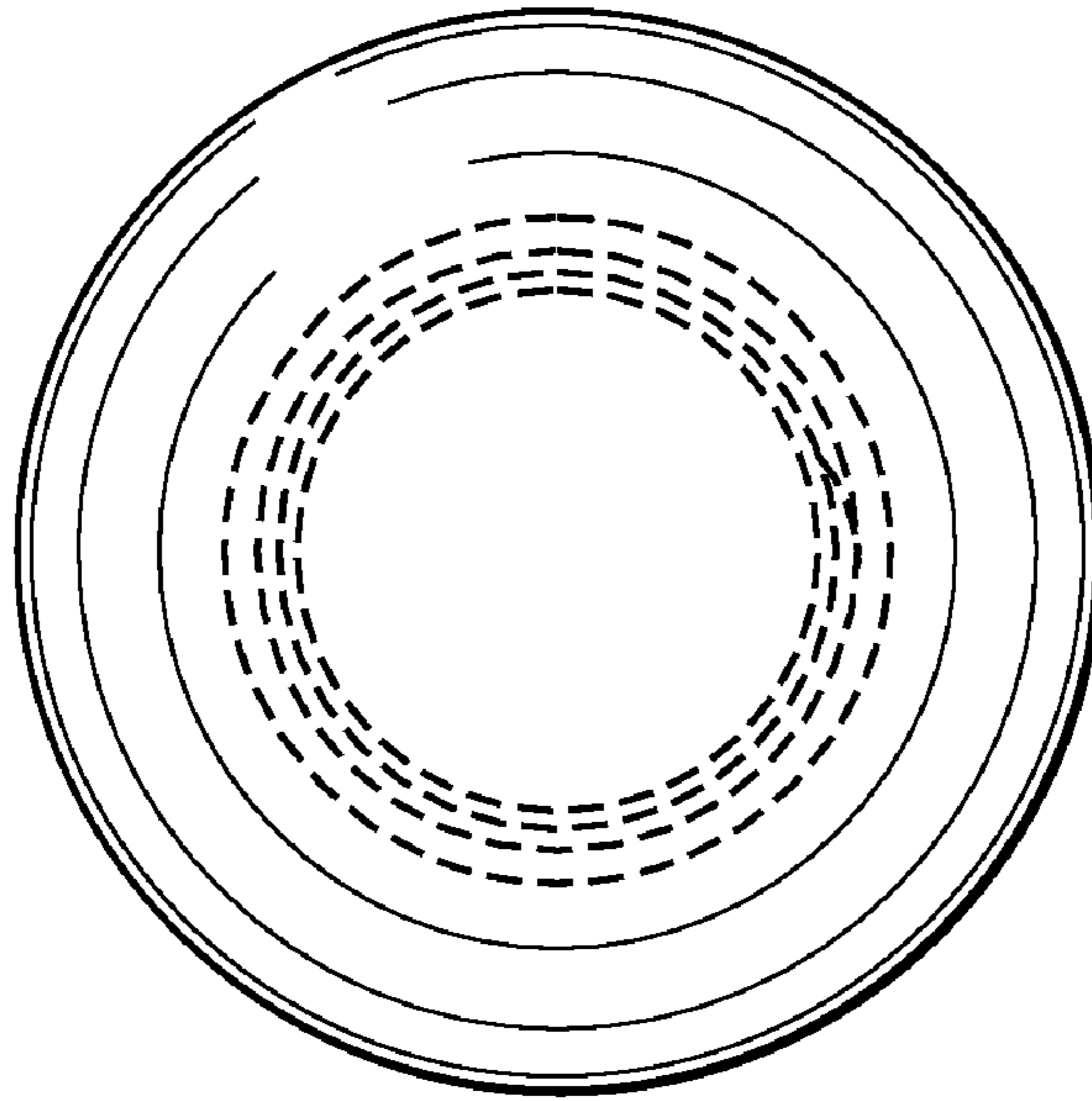
**Fig. 2**



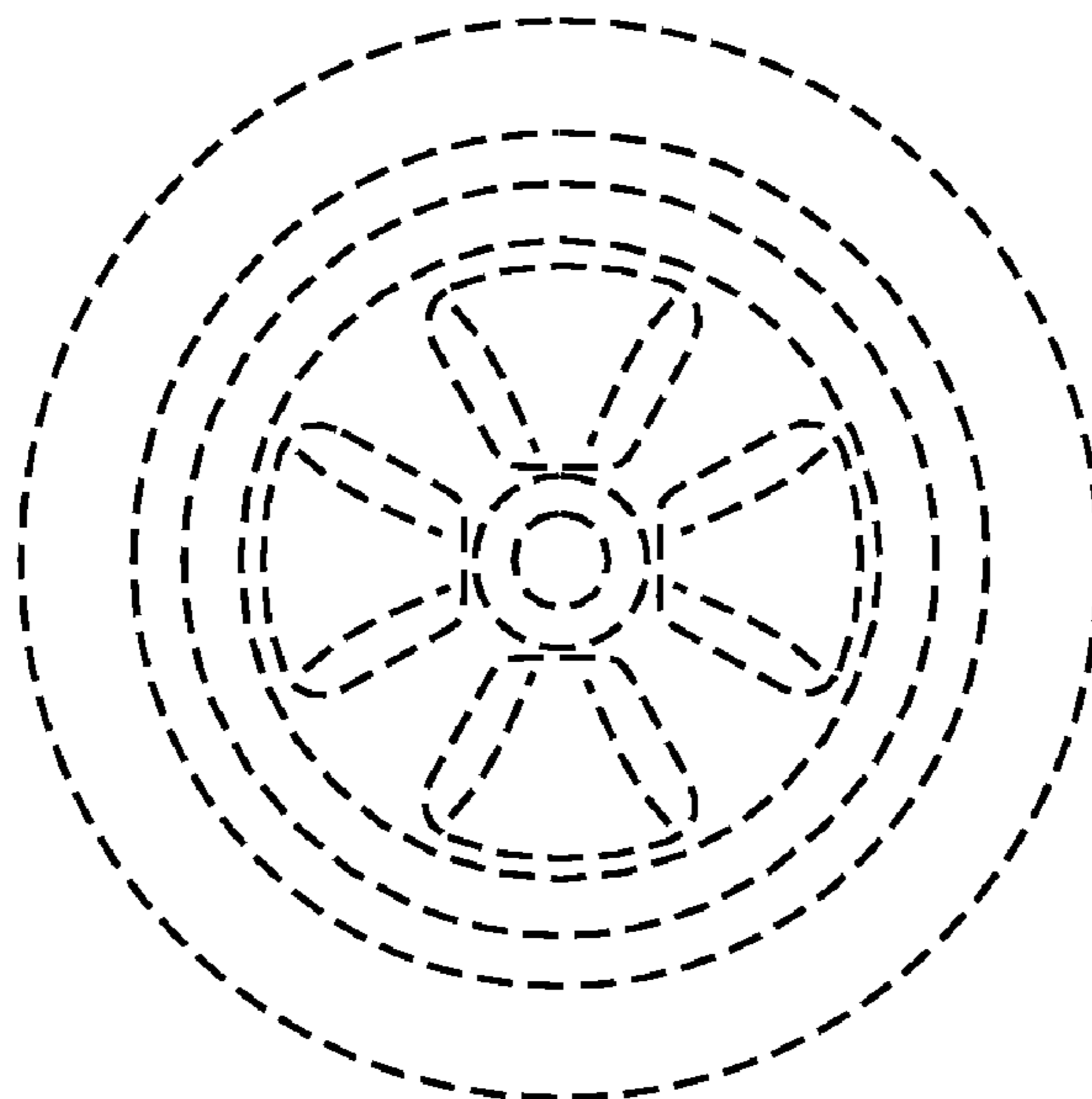
**Fig. 3**



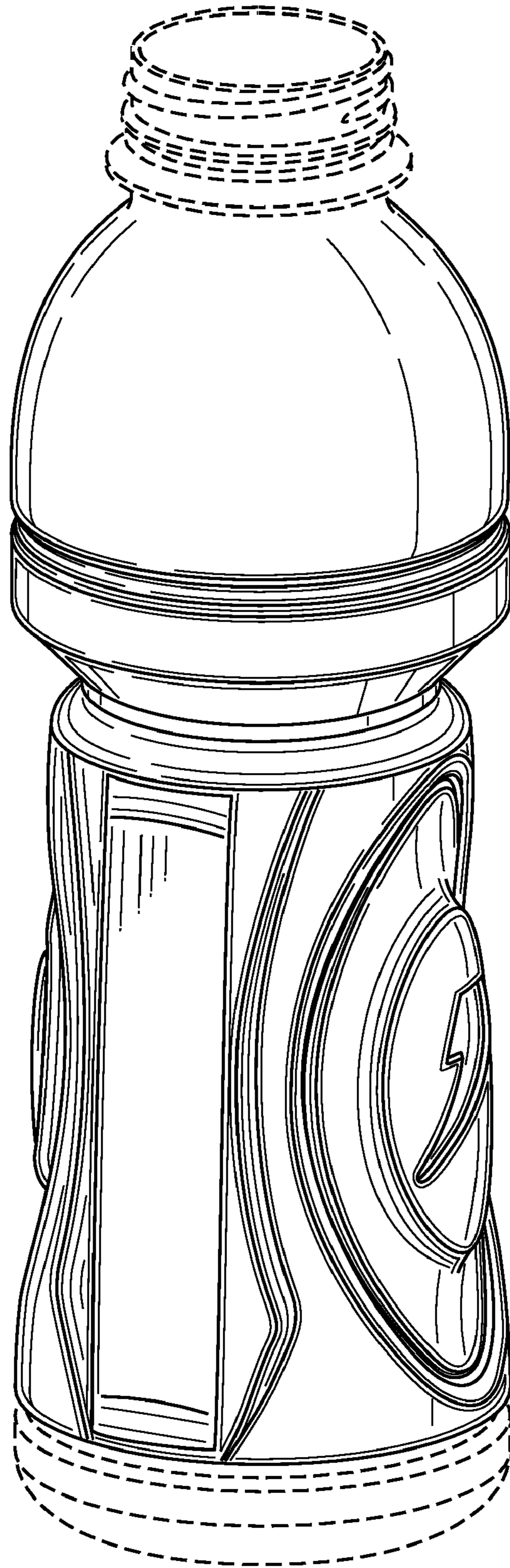
**Fig. 4**



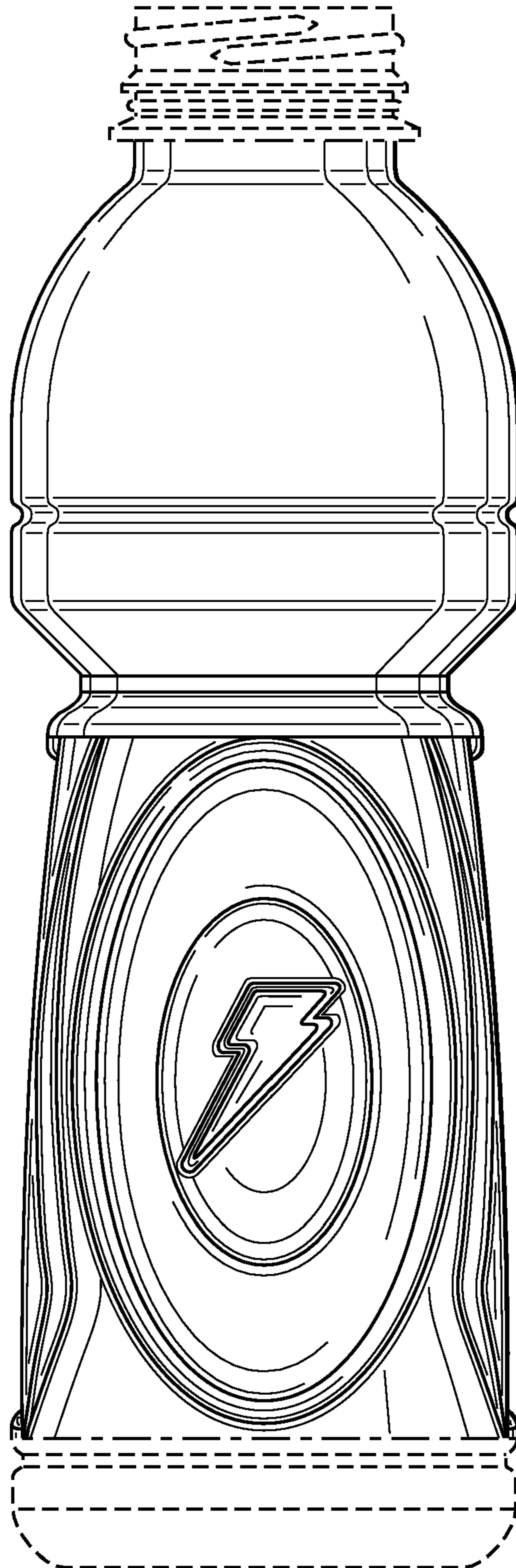
**Fig. 5**



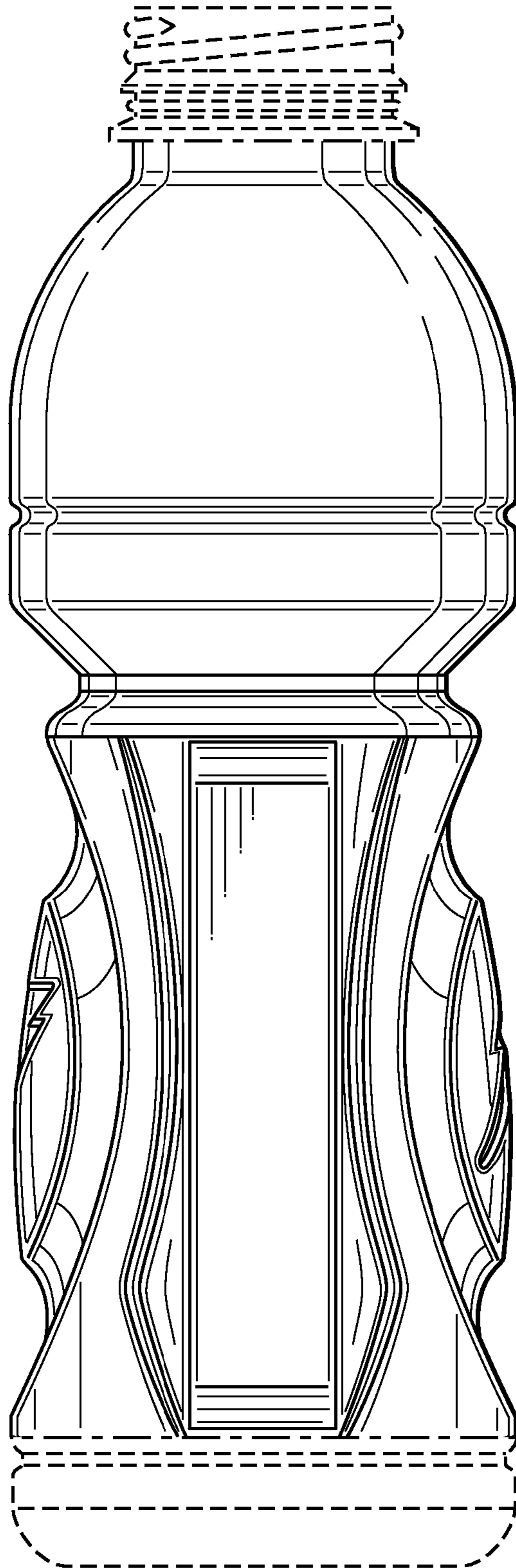
***Fig. 6***



**Fig. 7**

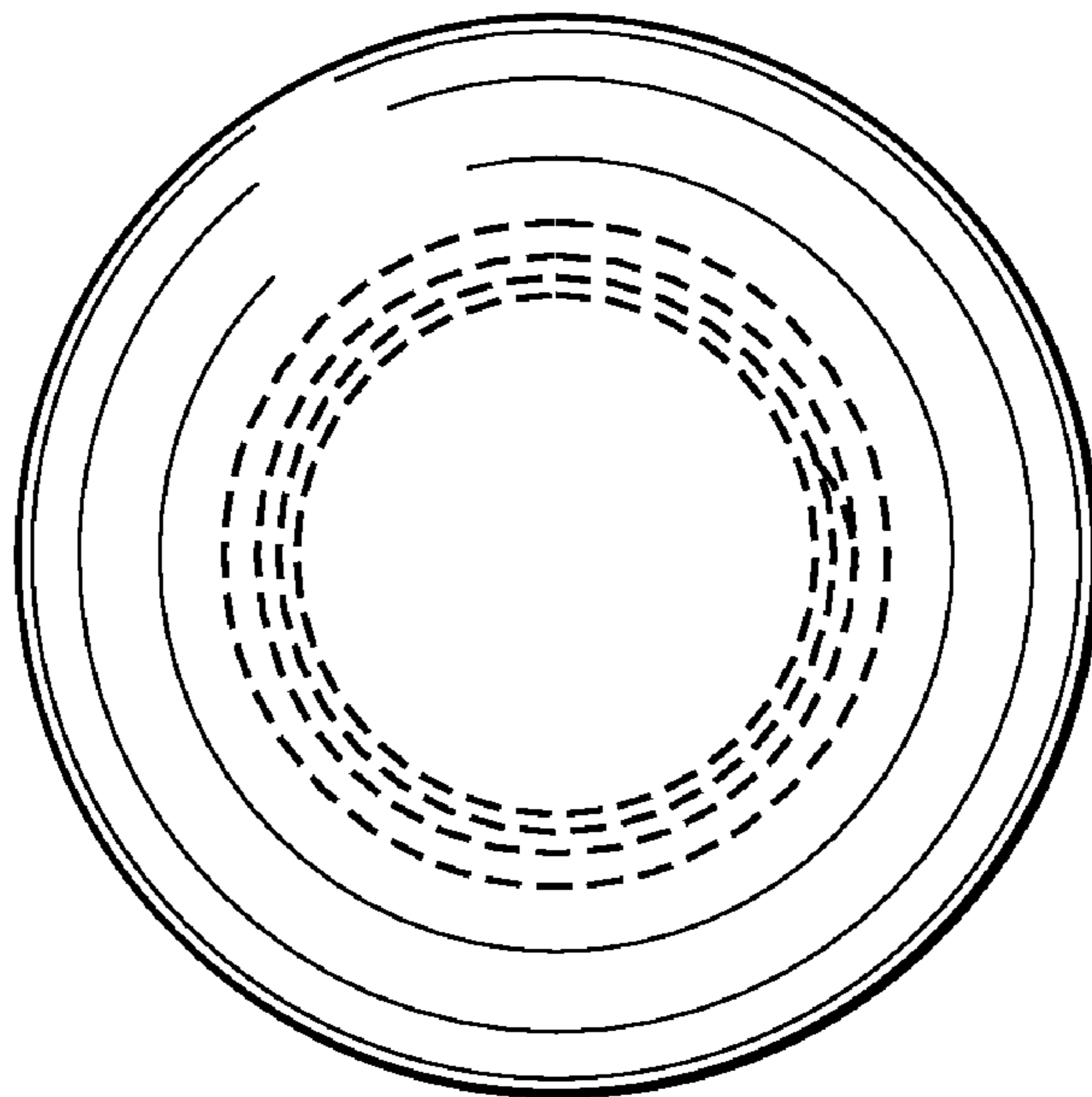


**Fig. 8**





**Fig. 9**



**Fig. 10**

