



US00D568733S

(12) **United States Design Patent**
DuBois et al.

(10) **Patent No.:** **US D568,733 S**
(45) **Date of Patent:** **** May 13, 2008**

(54) **CONTAINER WITH VIEW WINDOWS**

(75) Inventors: **Dwight B. DuBois**, Austin, TX (US);
Timothy W. Murray, Cumming, GA (US)

(73) Assignee: **Cenetron Diagnostics, Ltd.**

(**) Term: **14 Years**

(21) Appl. No.: **29/279,305**

(22) Filed: **Apr. 26, 2007**

Related U.S. Application Data

(63) Continuation of application No. 10/614,305, filed on Jul. 3, 2003.

(51) **LOC (8) Cl.** **09-03**

(52) **U.S. Cl.** **D9/418**; D9/432; D9/433

(58) **Field of Classification Search** D9/414-433,
D9/457, 701, 737, 341-348, 560, 730-762,
D9/304, 227; 206/199, 232, 428, 443, 446,
206/461-471, 485, 495, 539, 806, 588, 763,
206/779; 229/120, 120.01-120.17, 122,
229/125, 11, 113, 131.1, 117.16, 122.27,
229/242, 158, 278

See application file for complete search history.

(56) **References Cited**

U.S. PATENT DOCUMENTS

916,986 A * 4/1909 Bopp 206/521
(Continued)

Primary Examiner—Robert M. Spear

Assistant Examiner—Susan E Krakower

(74) *Attorney, Agent, or Firm*—The Law Firm of H. Dale Langley, Jr. P.C.

(57) **CLAIM**

The ornamental design for a container with view windows, as shown and described.

DESCRIPTION

FIG. 1 is a front perspective view of a container with view windows showing our new design, in a closed position;

FIG. 2 is a back perspective view thereof, in a closed position;

FIG. 3 is a front perspective view thereof, in an open position;

FIG. 4 is a back perspective view thereof, in an open position;

FIG. 5 is a partially enlarged top perspective view thereof in an open condition;

FIG. 6 is a back perspective view thereof, with the top in an open position;

FIG. 7 is an unfolded top plan view thereof;

FIG. 8 is an enlarged back perspective view thereof, in an open position with a partial showing the inset with round holes;

FIG. 9 is an enlarged flattened back elevational view thereof;

FIG. 10 is an enlarged flattened front elevational view thereof;

FIG. 11 is an enlarged back perspective view thereof, in a closed position;

FIG. 12 is an enlarged back elevational view thereof, in a closed position;

FIG. 13 is an enlarged front elevational view thereof, in a closed position;

FIG. 14 is an enlarged left side elevational view thereof, in a closed position;

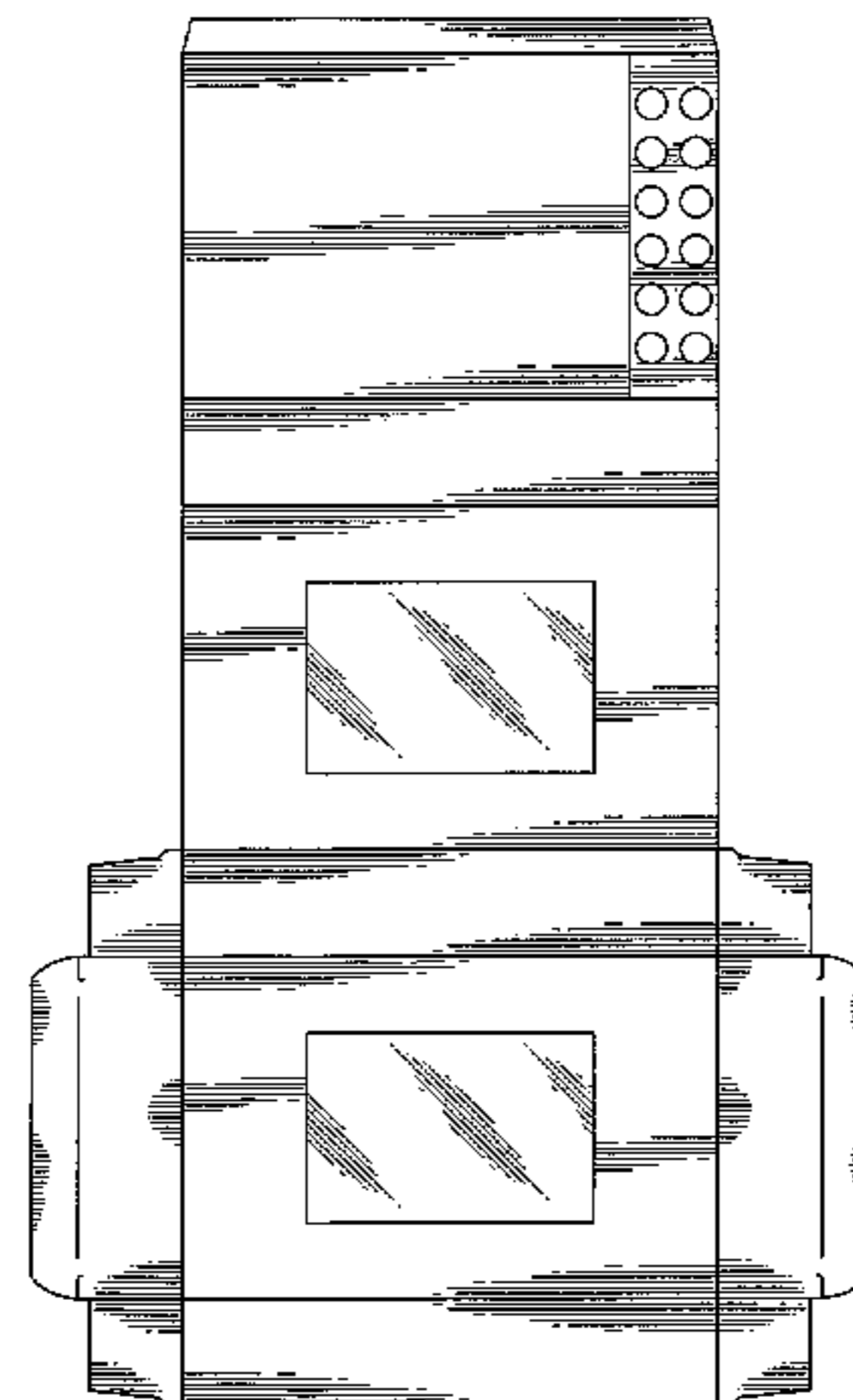
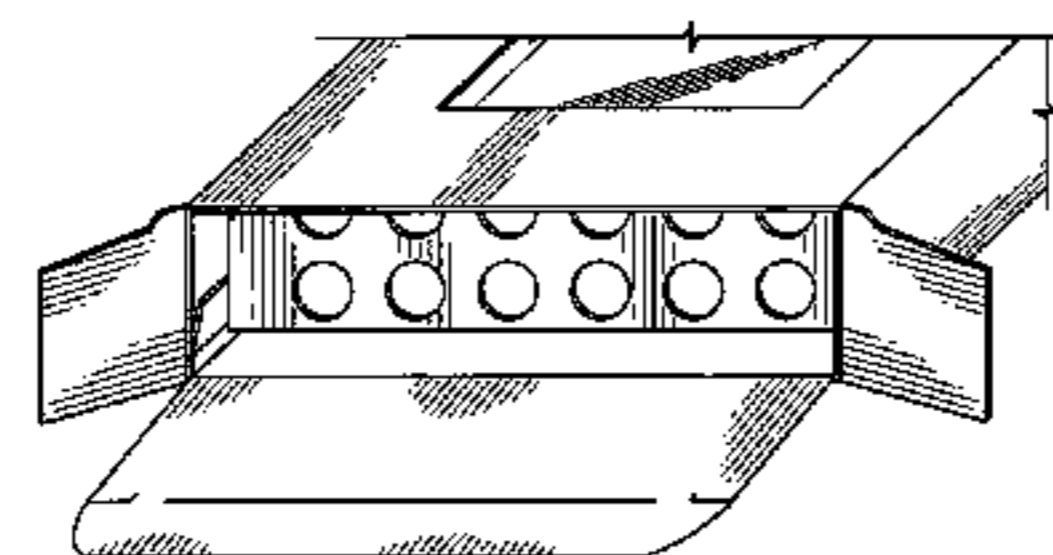
FIG. 15 is an enlarged right side elevational view thereof, in a closed position;

FIG. 16 is an enlarged top plan view thereof, in a closed position; and,

FIG. 17 is an enlarged bottom plan view thereof, in a closed position.

The broken lines of figures showing a container content, particularly, a specimen vial and an example laboratory requisition document or other form or label (e.g., invoice), in certain of the Figures, are for illustrative purposes only and do not form part of the claimed design.

1 Claim, 13 Drawing Sheets



US D568,733 S

Page 2

U.S. PATENT DOCUMENTS

1,337,091	A *	4/1920	Neski	206/443	D344,455	S *	2/1994	Kornberg et al.	D3/271.5
1,977,467	A *	10/1934	Bomberger et al.	119/490	5,358,116	A *	10/1994	Brintazzoli	206/485
2,194,669	A *	3/1940	Mumford	206/454	5,402,889	A *	4/1995	Hermann et al.	206/443
2,829,778	A *	4/1958	Carabet	211/70.1	5,871,145	A *	2/1999	Hermann et al.	229/120.21
3,175,748	A *	3/1965	Flamm et al.	229/120	D506,386	S *	6/2005	Milan	D9/418
3,424,299	A *	1/1969	Rosenburg, Jr.	206/763	7,028,839	B2 *	4/2006	Belloli et al.	206/443
4,416,412	A *	11/1983	Wischusen, III	229/120.12	D529,795	S *	10/2006	Kragtwijk	D9/418
4,925,087	A *	5/1990	Ostrander	229/120.03						
D310,488	S *	9/1990	Callinan	D9/418						

* cited by examiner

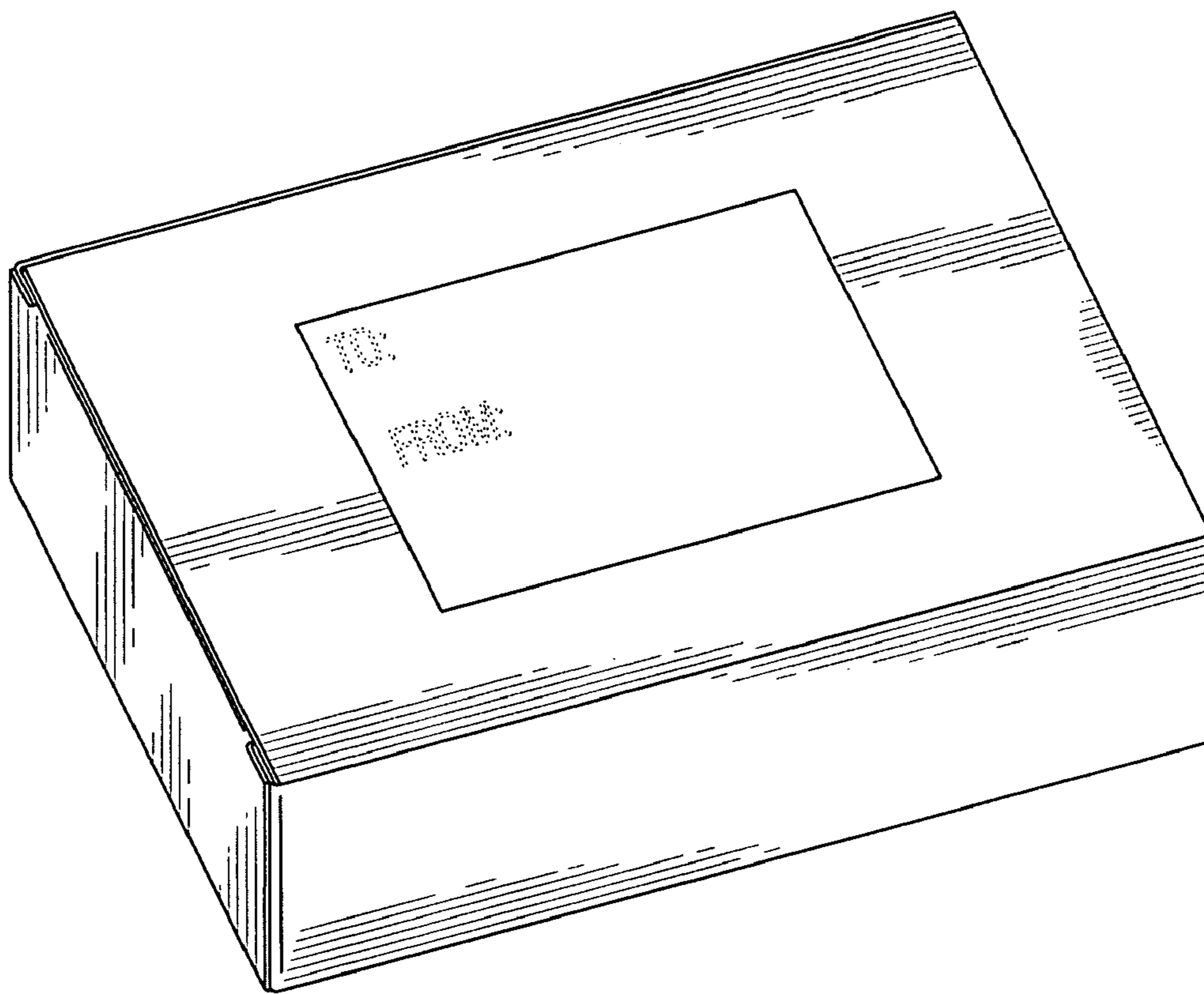


FIG. 1

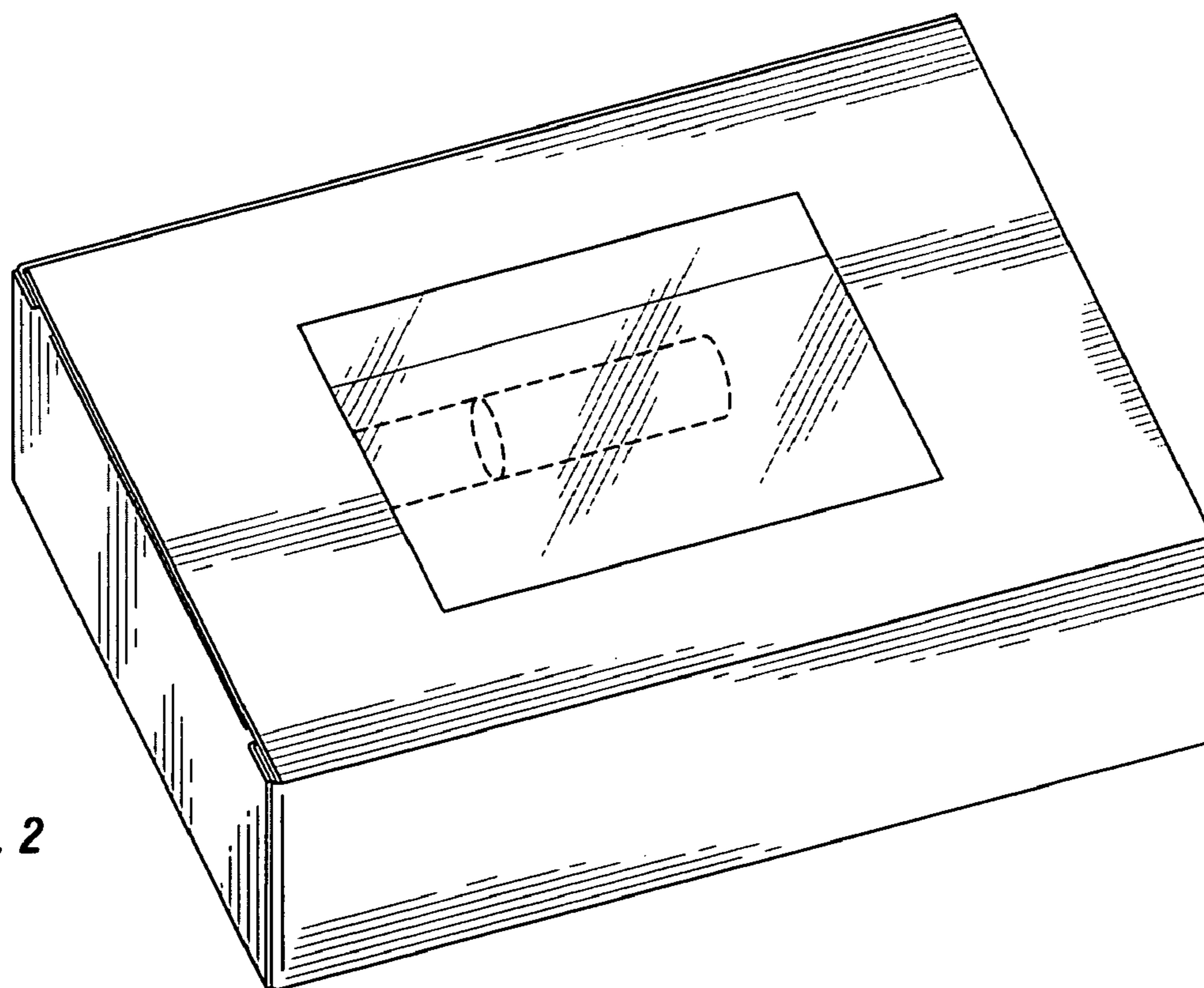


FIG. 2

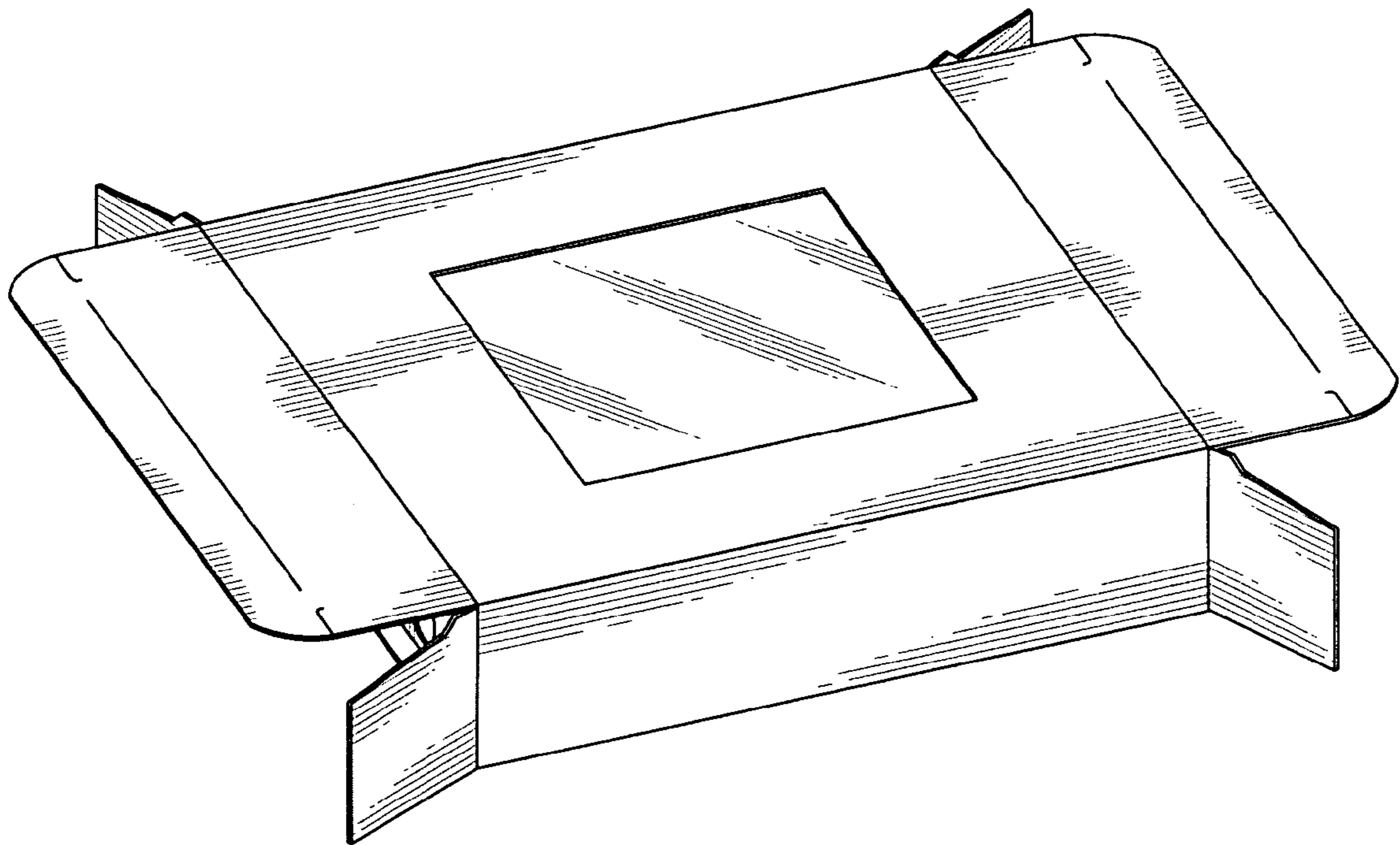


FIG. 3

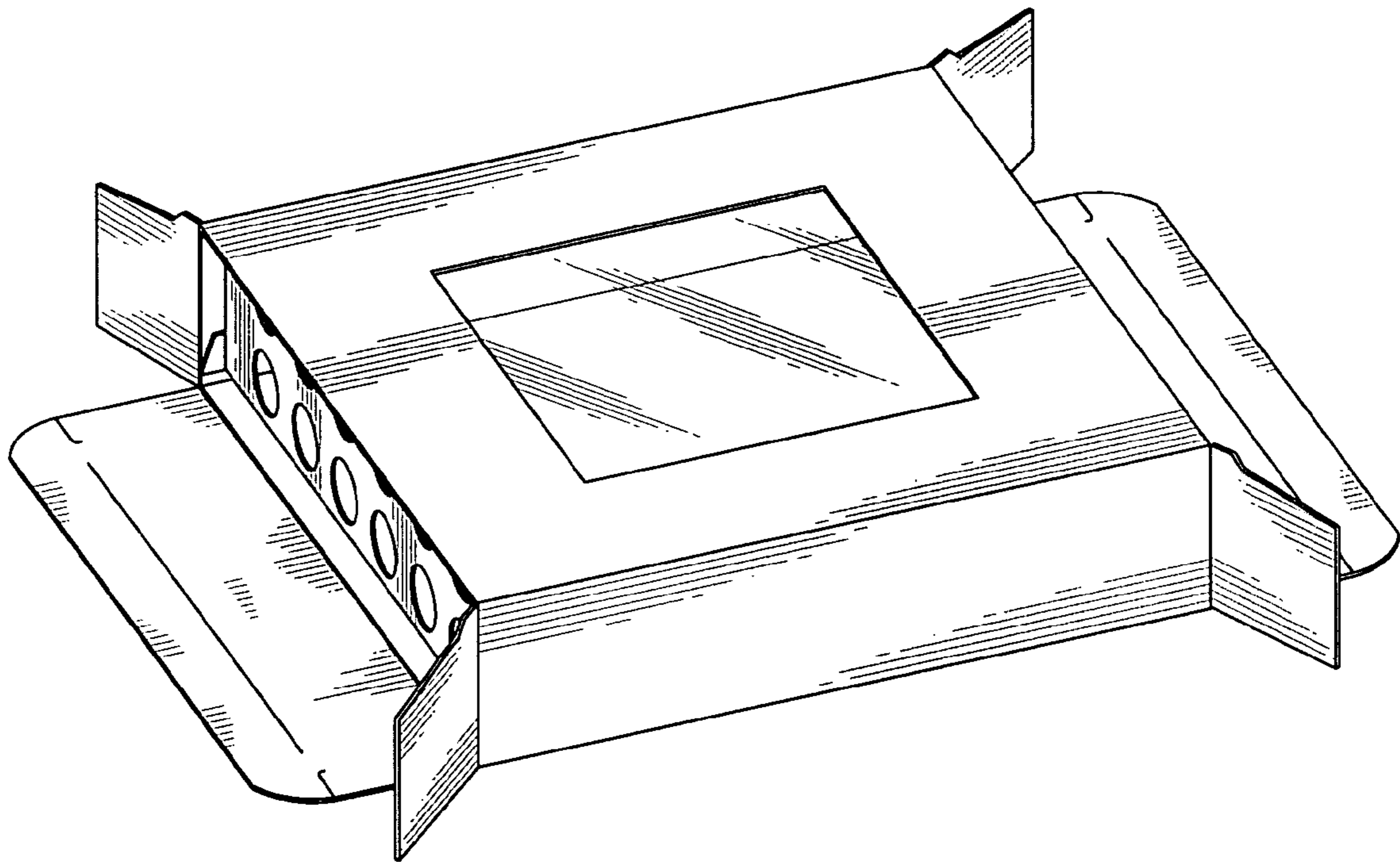


FIG. 4

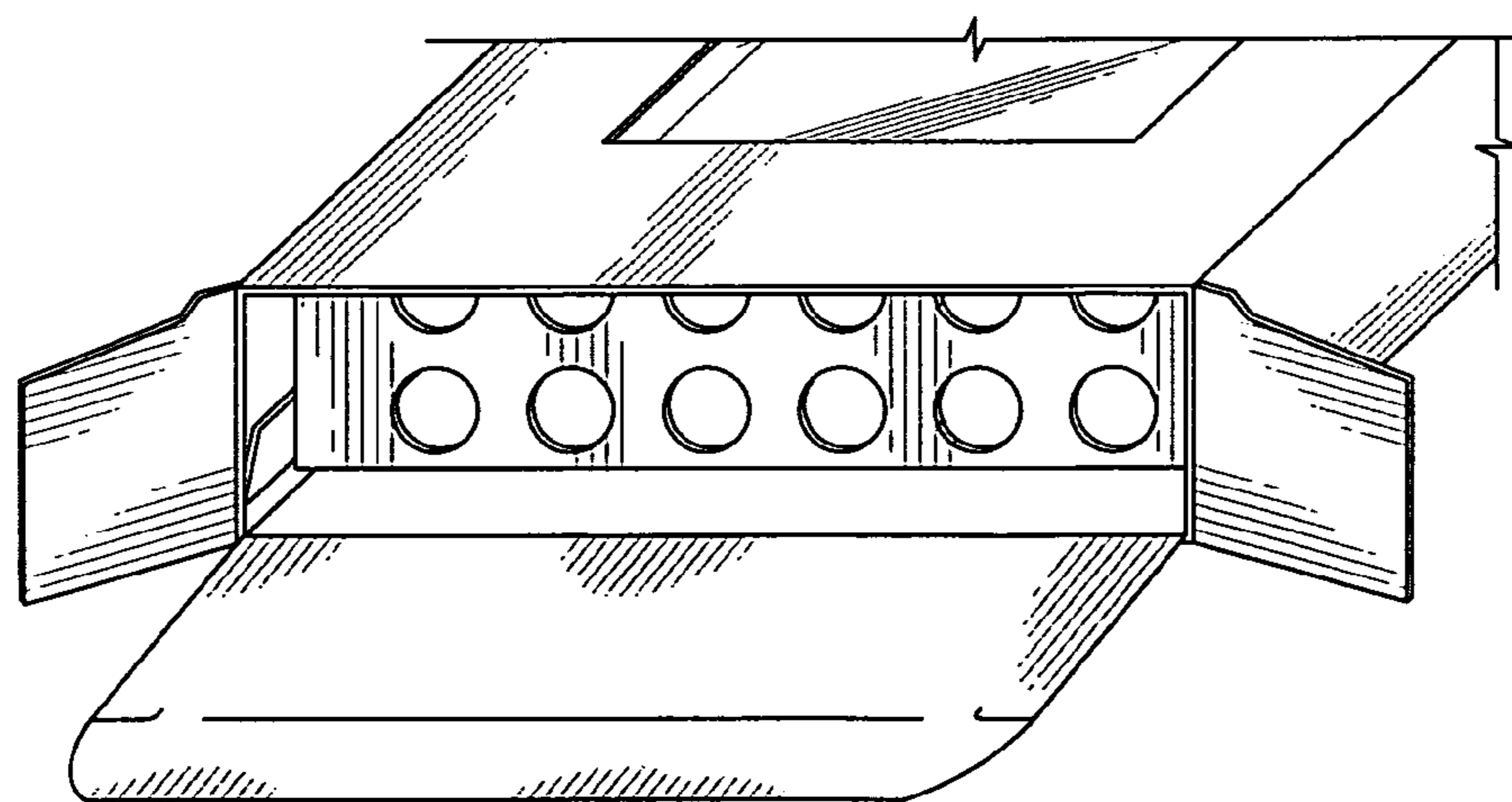


FIG. 5

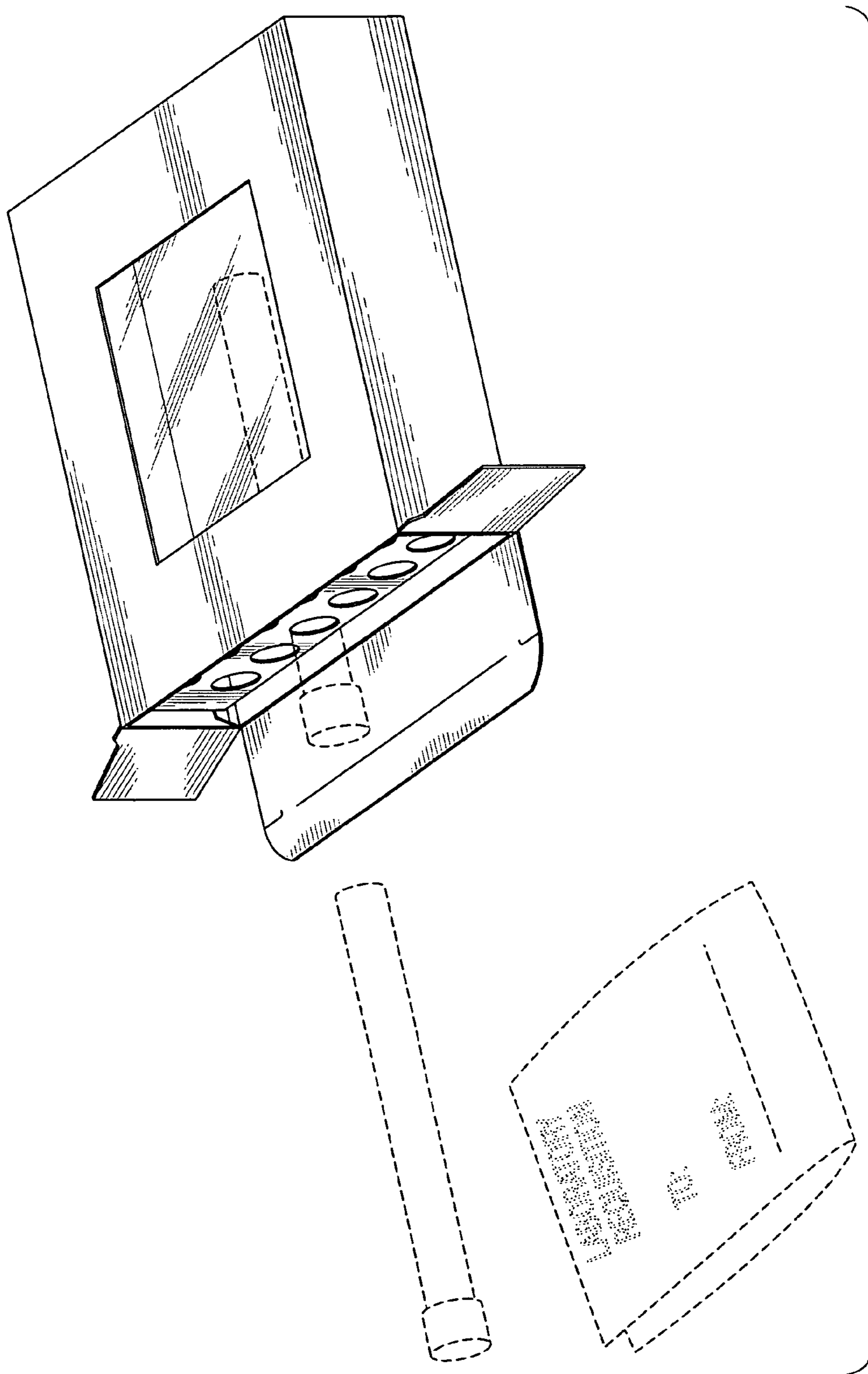


FIG. 6

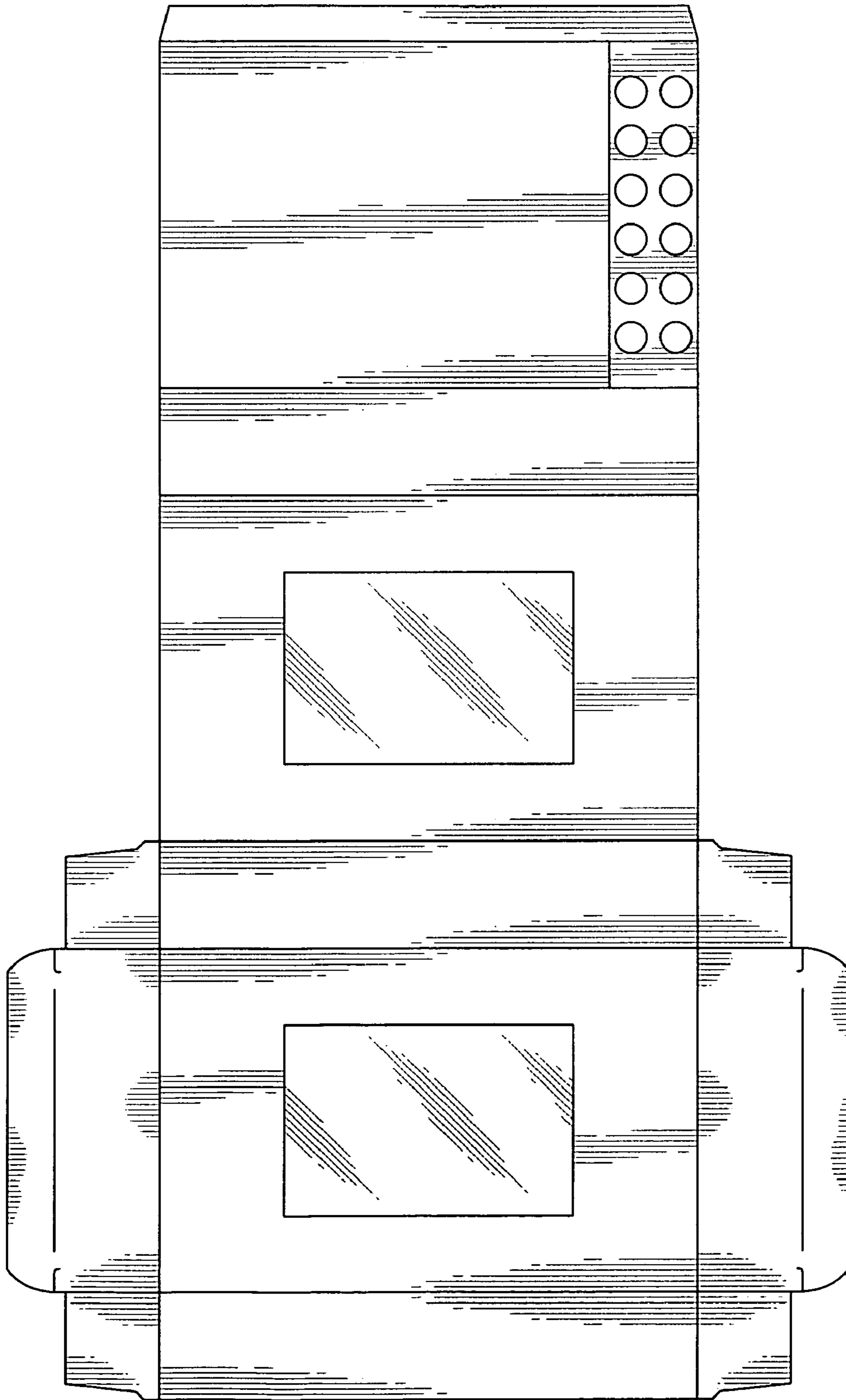


FIG. 7

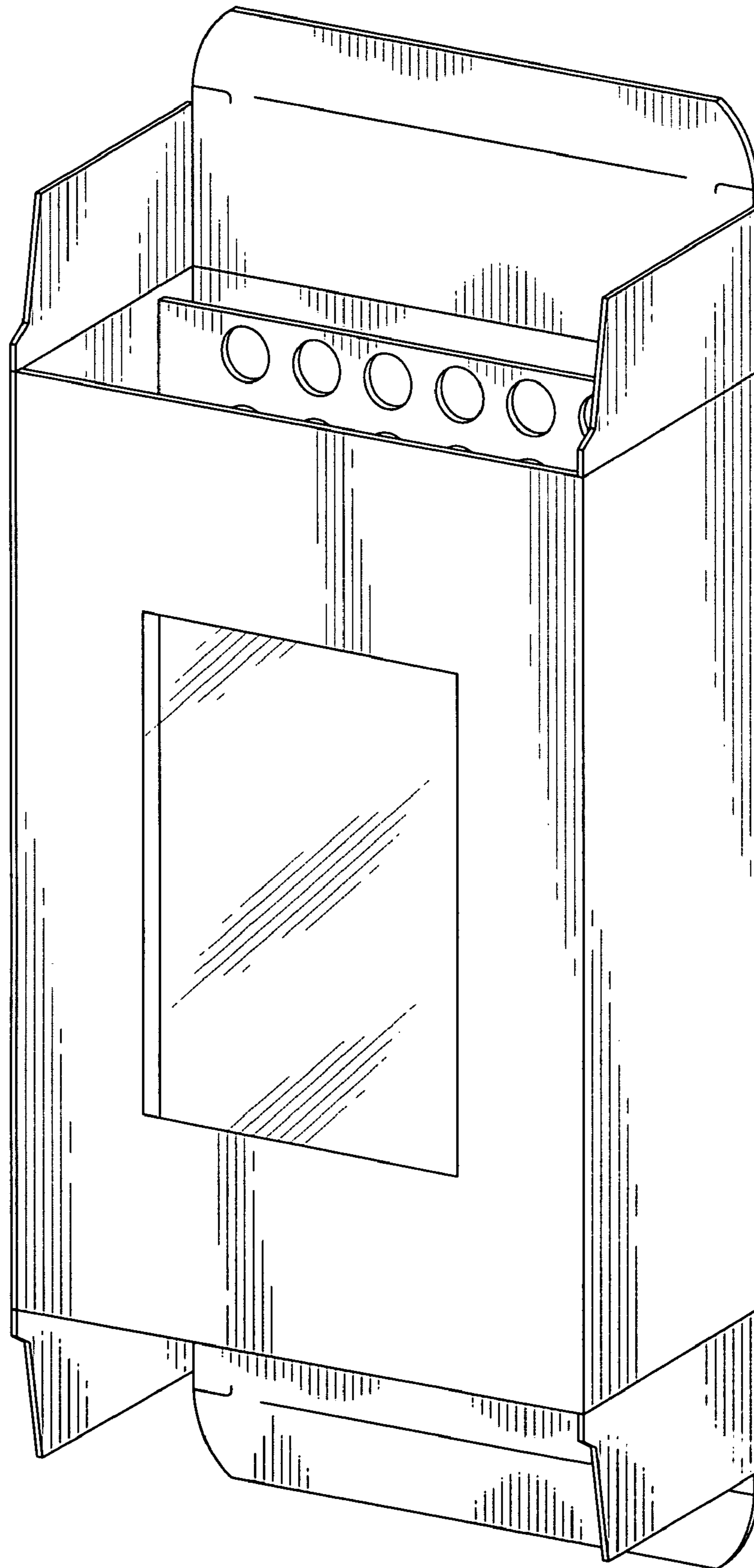


FIG. 8

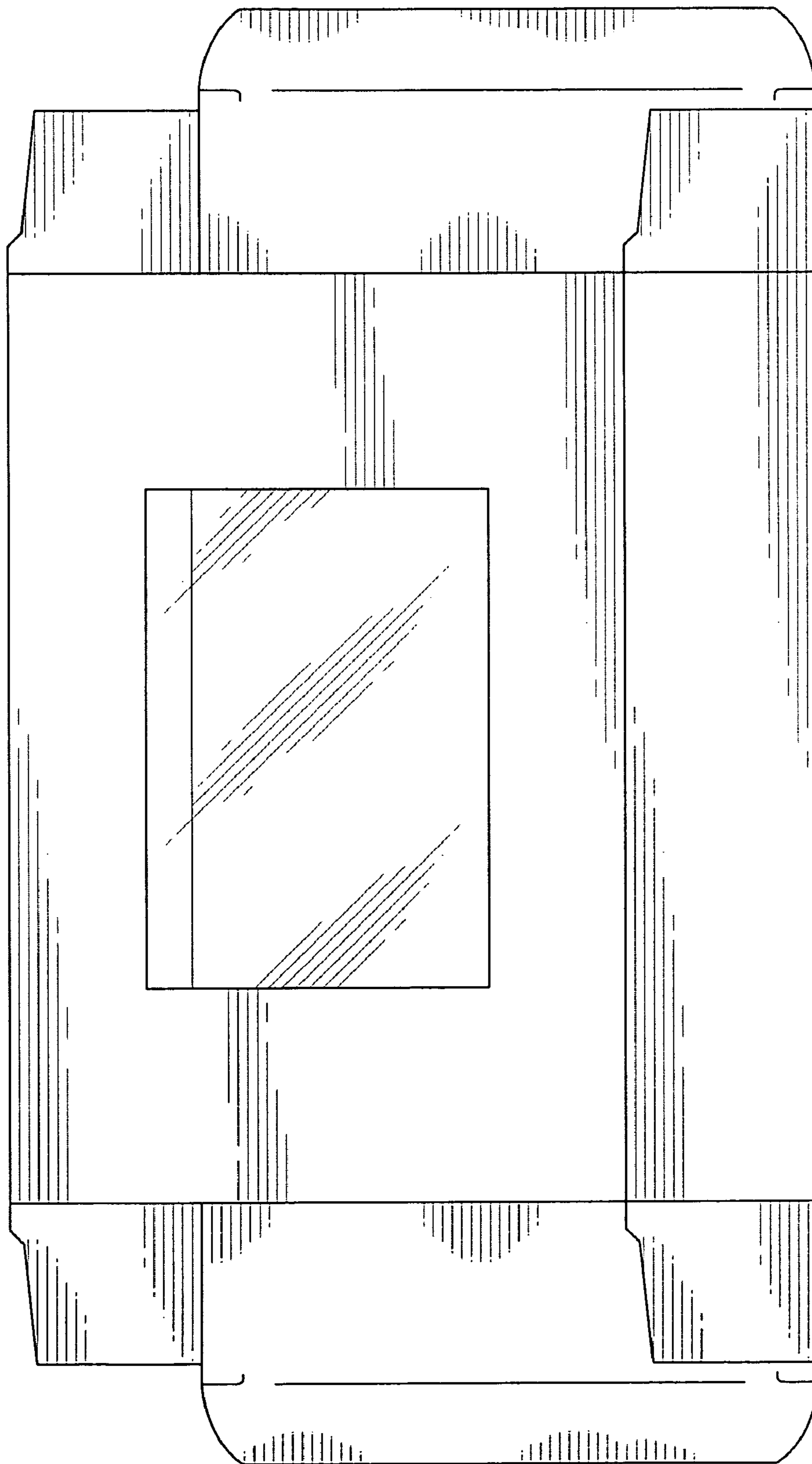


FIG. 9

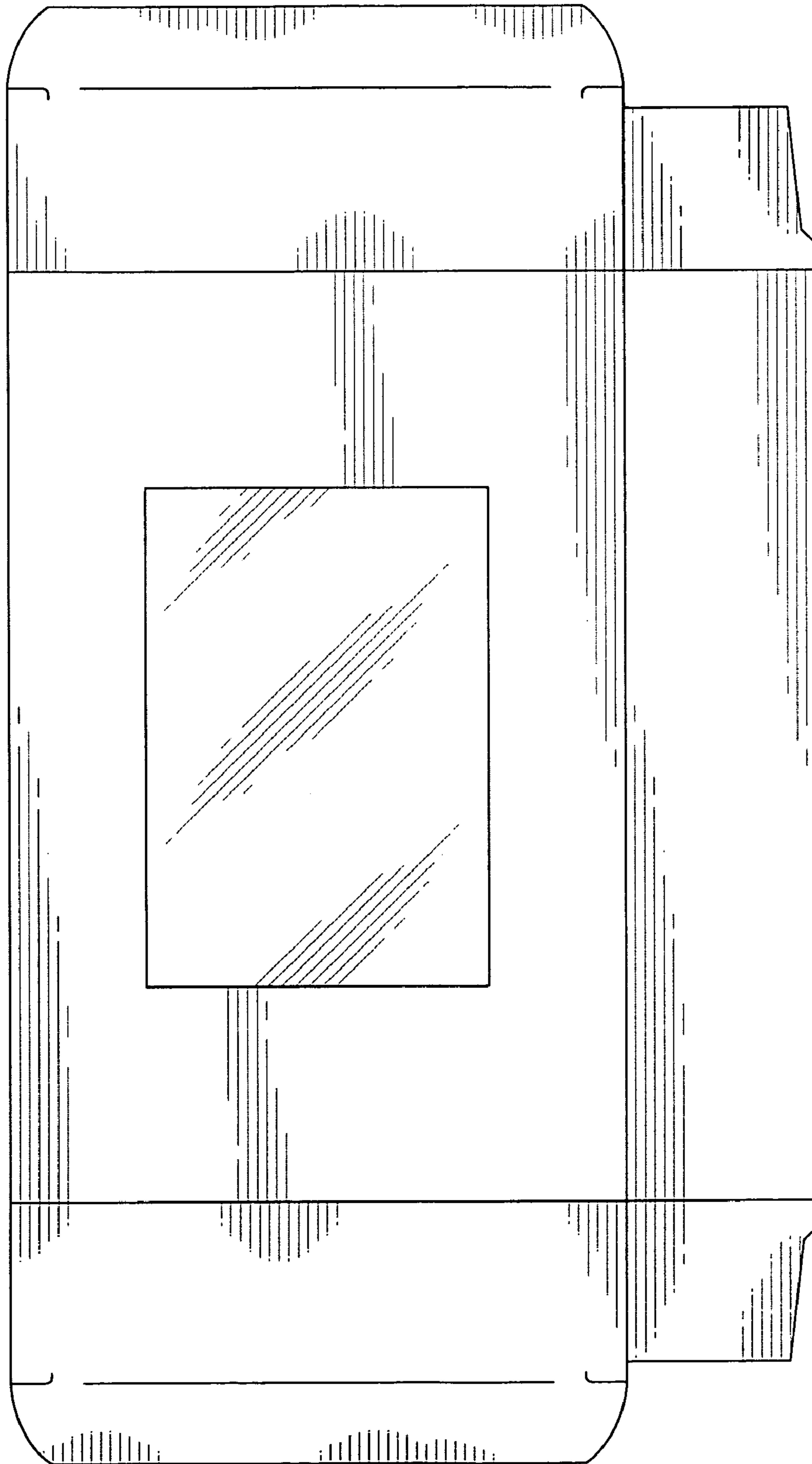


FIG. 10

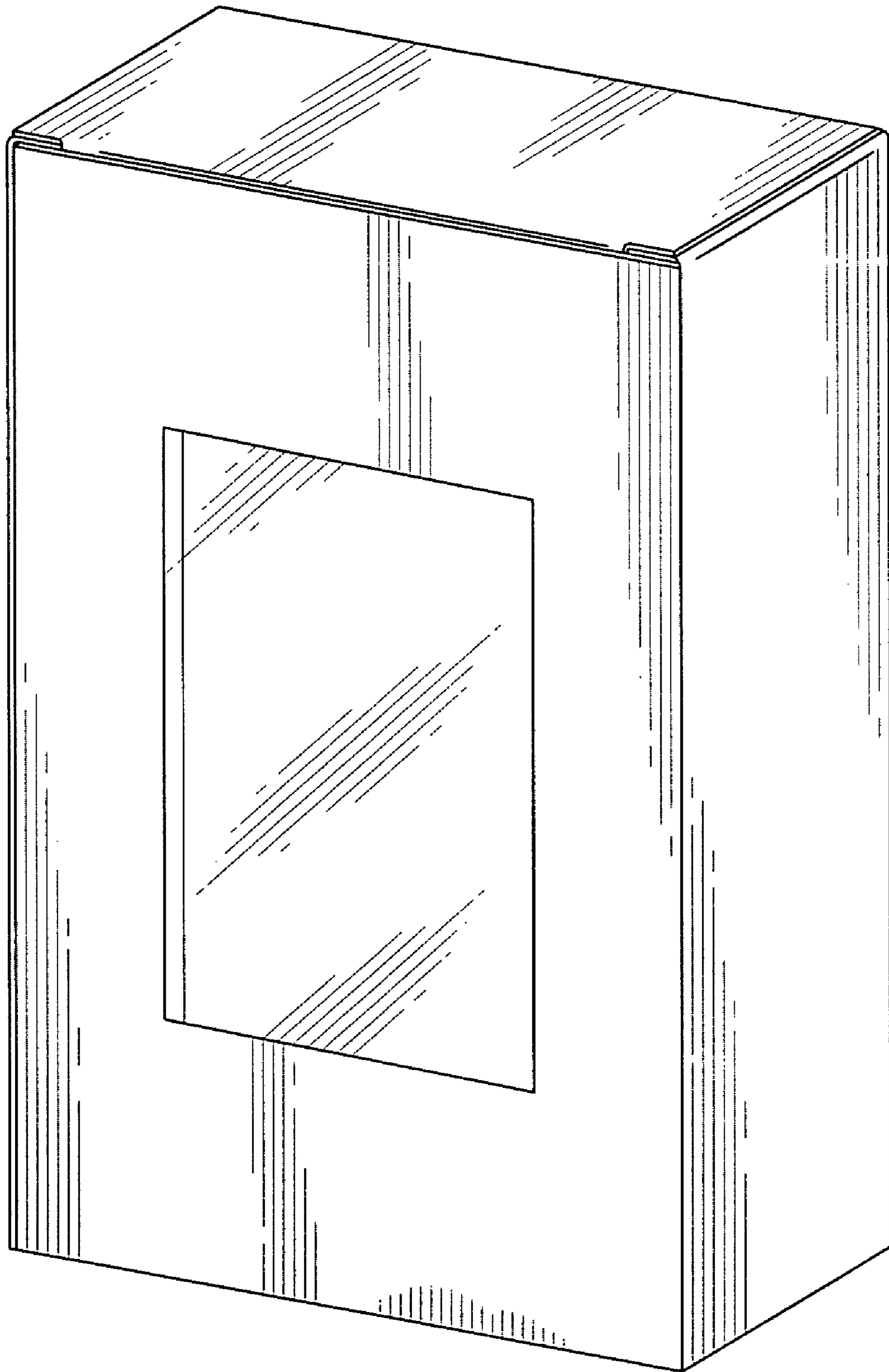


FIG. 11

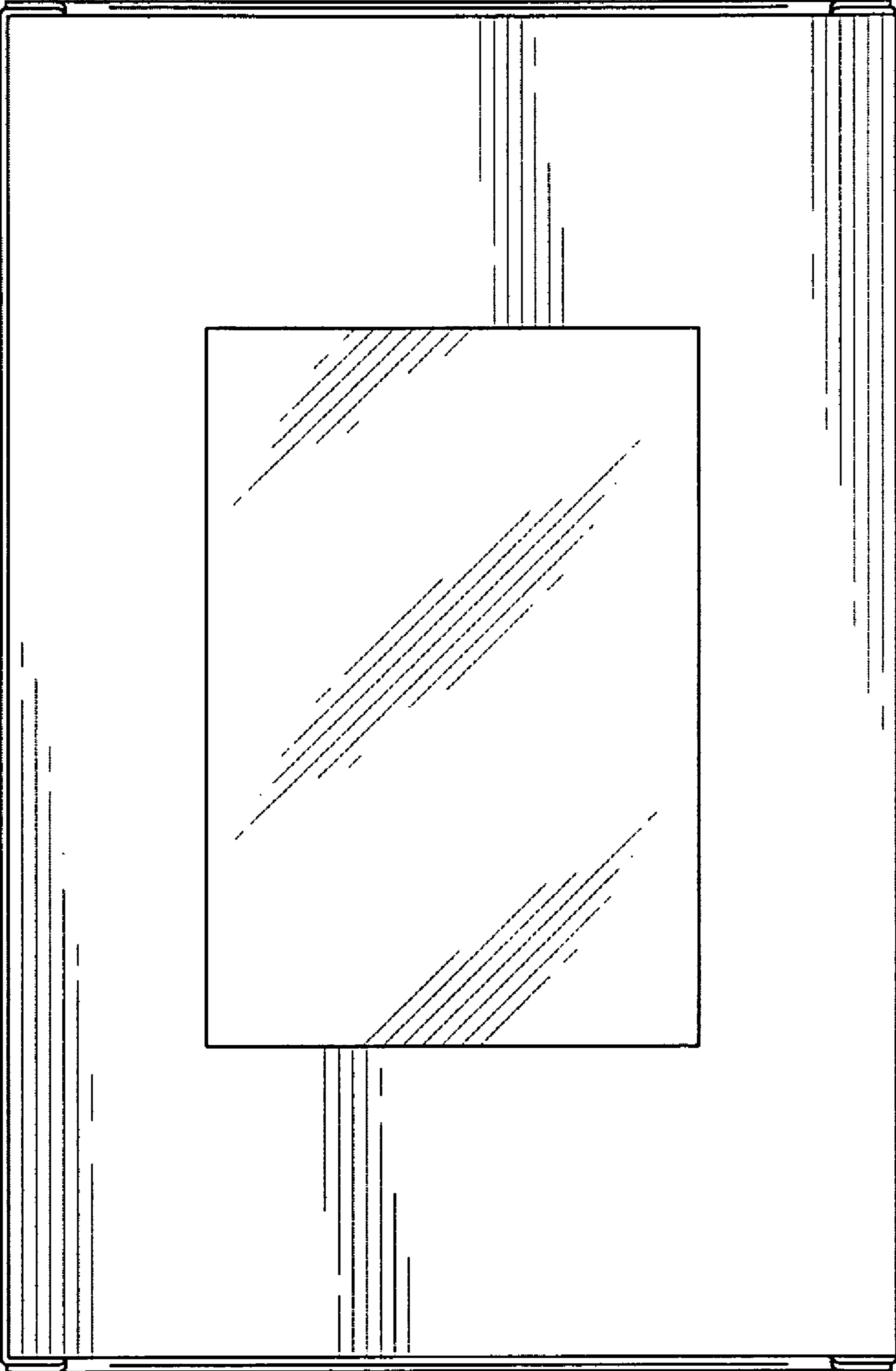


FIG. 12

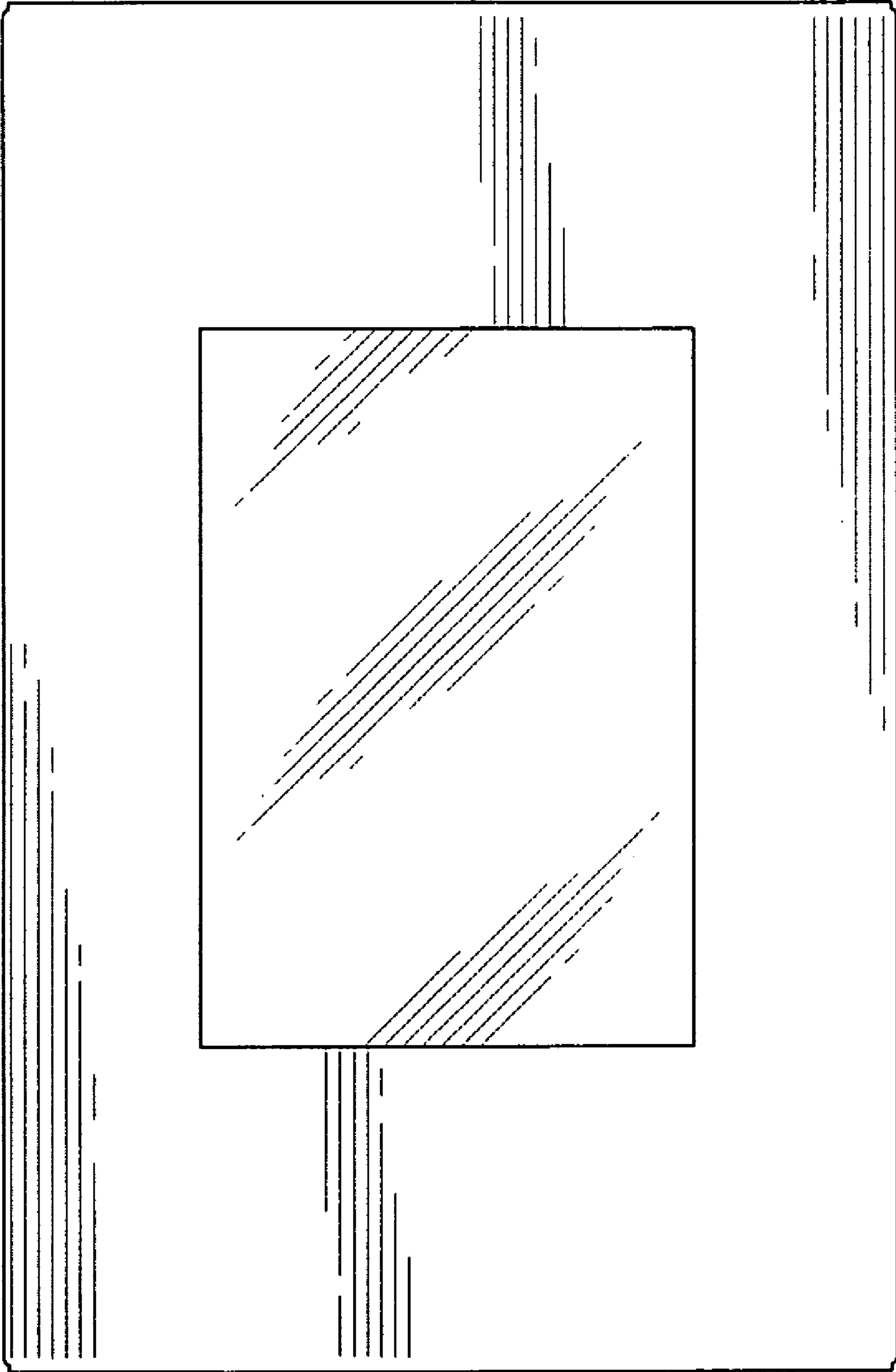


FIG. 13

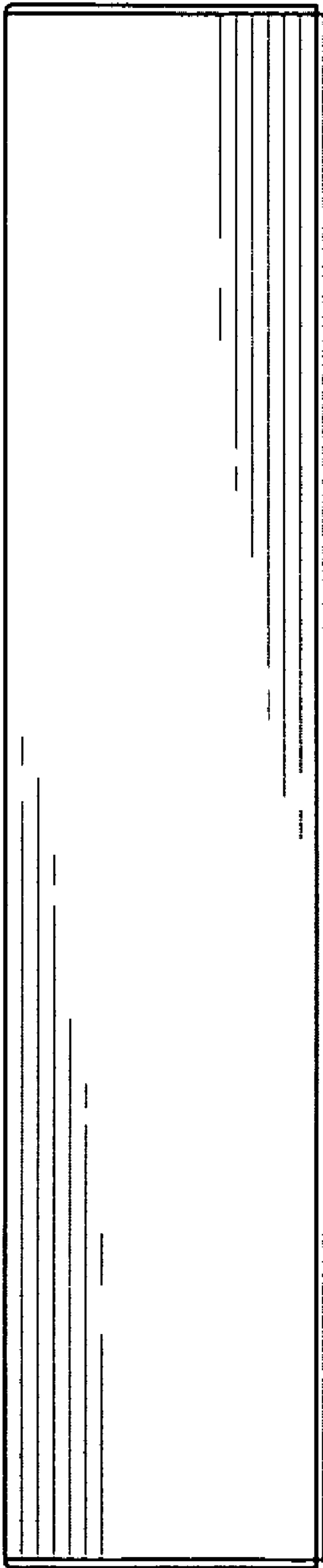


FIG. 14

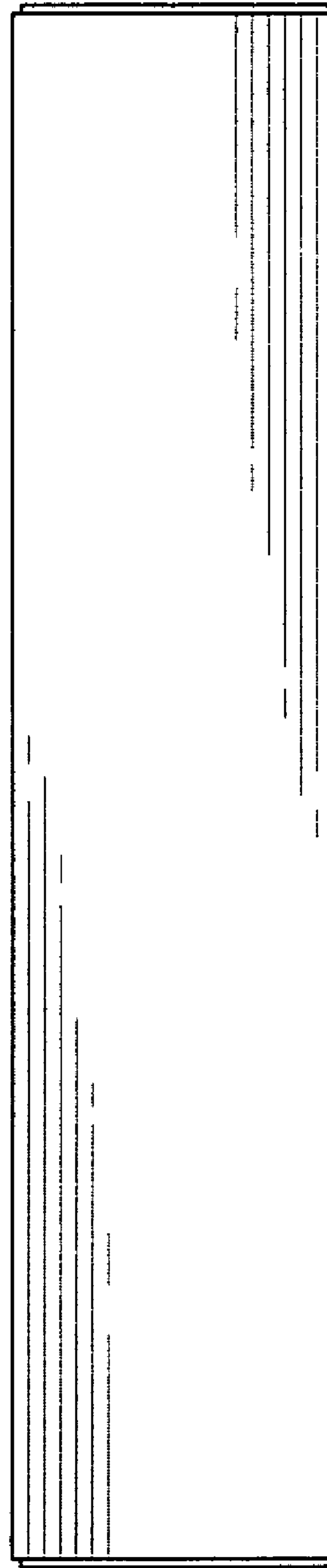


FIG. 15

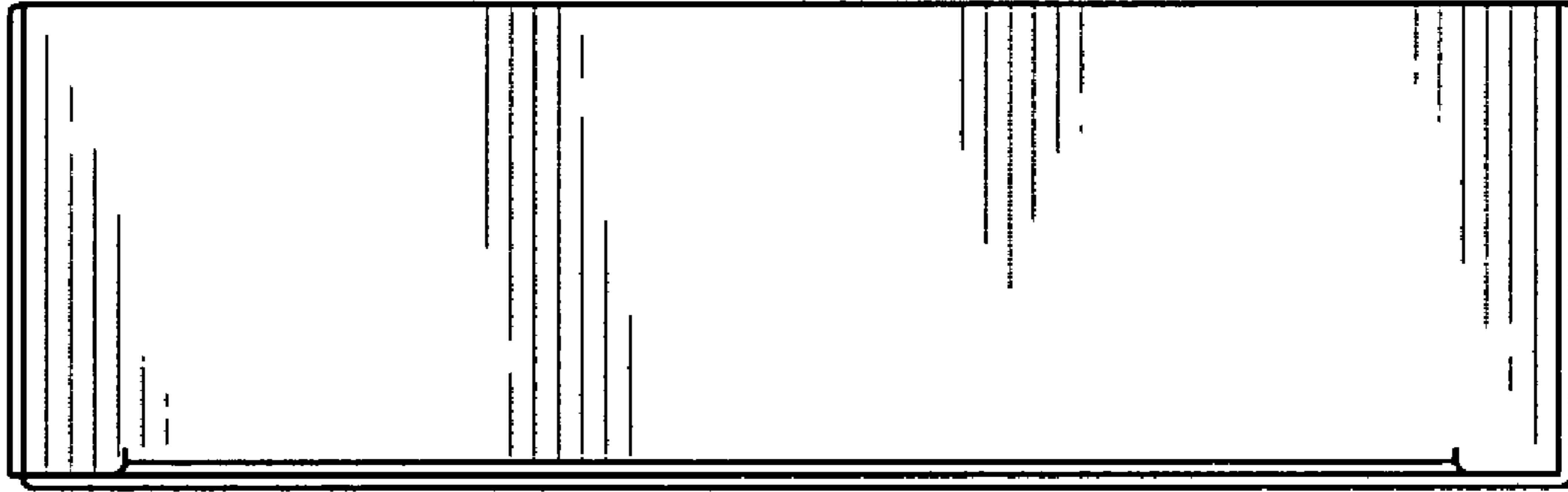


FIG. 16

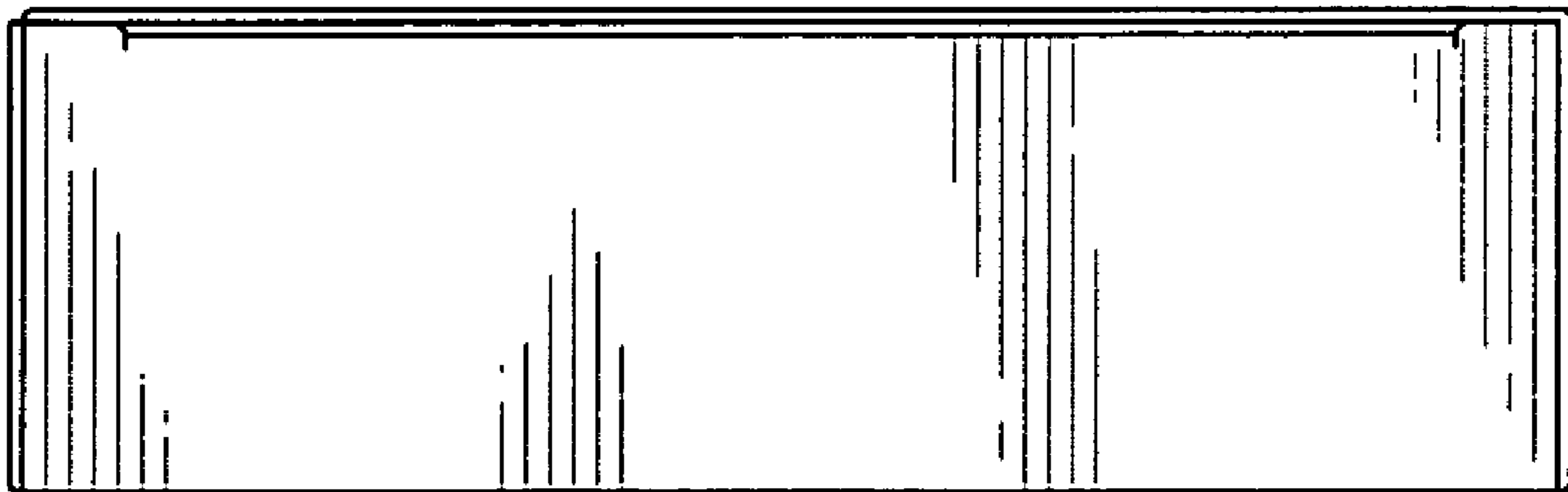


FIG. 17