



US00D568732S

(12) **United States Design Patent**
Kovac

(10) **Patent No.:** **US D568,732 S**

(45) **Date of Patent:** **** May 13, 2008**

(54) **CONTAINER**

D531,026 S * 10/2006 McMorris D9/431

(75) Inventor: **Jerry Michael Kovac**, Pacific Palisades, CA (US)

* cited by examiner

(73) Assignee: **Futureboy, LLC**, Los Angeles, CA (US)

Primary Examiner—Robert M. Spear
Assistant Examiner—Susan E Krakower

(**) Term: **14 Years**

(74) *Attorney, Agent, or Firm*—Michael B. Brooks; Michael B. Brooks, PC

(21) Appl. No.: **29/247,750**

(57) **CLAIM**

(22) Filed: **Jul. 10, 2006**

The ornamental design for a container, as shown and described.

(51) **LOC (8) Cl.** **09-03**

DESCRIPTION

(52) **U.S. Cl.** **D9/418; D9/430**

FIG. 1 is a top-front-right perspective view of a container showing a first embodiment of my new design;

(58) **Field of Classification Search** D9/414–433, D9/457, 701, 737, 341–348, 560, 730–762, D9/304, 227; 206/199, 428, 461–471, 495, 206/806; 229/122, 125, 11, 131.1, 117.16, 229/242

FIG. 2 is a right elevational view, the left being a mirror image thereof;

See application file for complete search history.

FIG. 3 is a front elevational view, the back being a mirror image thereof;

(56) **References Cited**

FIG. 4 is a bottom plan view thereof;

U.S. PATENT DOCUMENTS

FIG. 5 is a top plan view thereof;

- 2,950,039 A * 8/1960 Wilson 229/110
- 3,899,076 A * 8/1975 Florian 206/427
- D289,974 S * 5/1987 Hamilton et al. D9/754
- D306,828 S * 3/1990 Schuster D9/418
- D310,967 S * 10/1990 Roethling D9/418
- D313,936 S * 1/1991 Ferrero D9/418
- D351,787 S * 10/1994 Hansen D9/751
- D474,686 S * 5/2003 Woog D7/605
- D478,002 S * 8/2003 Lin D9/415
- D495,598 S * 9/2004 Smith D9/430
- D515,942 S * 2/2006 Hamblin et al. D9/756

FIG. 6 is a top-front-right perspective view of a container showing a second embodiment of my new design;

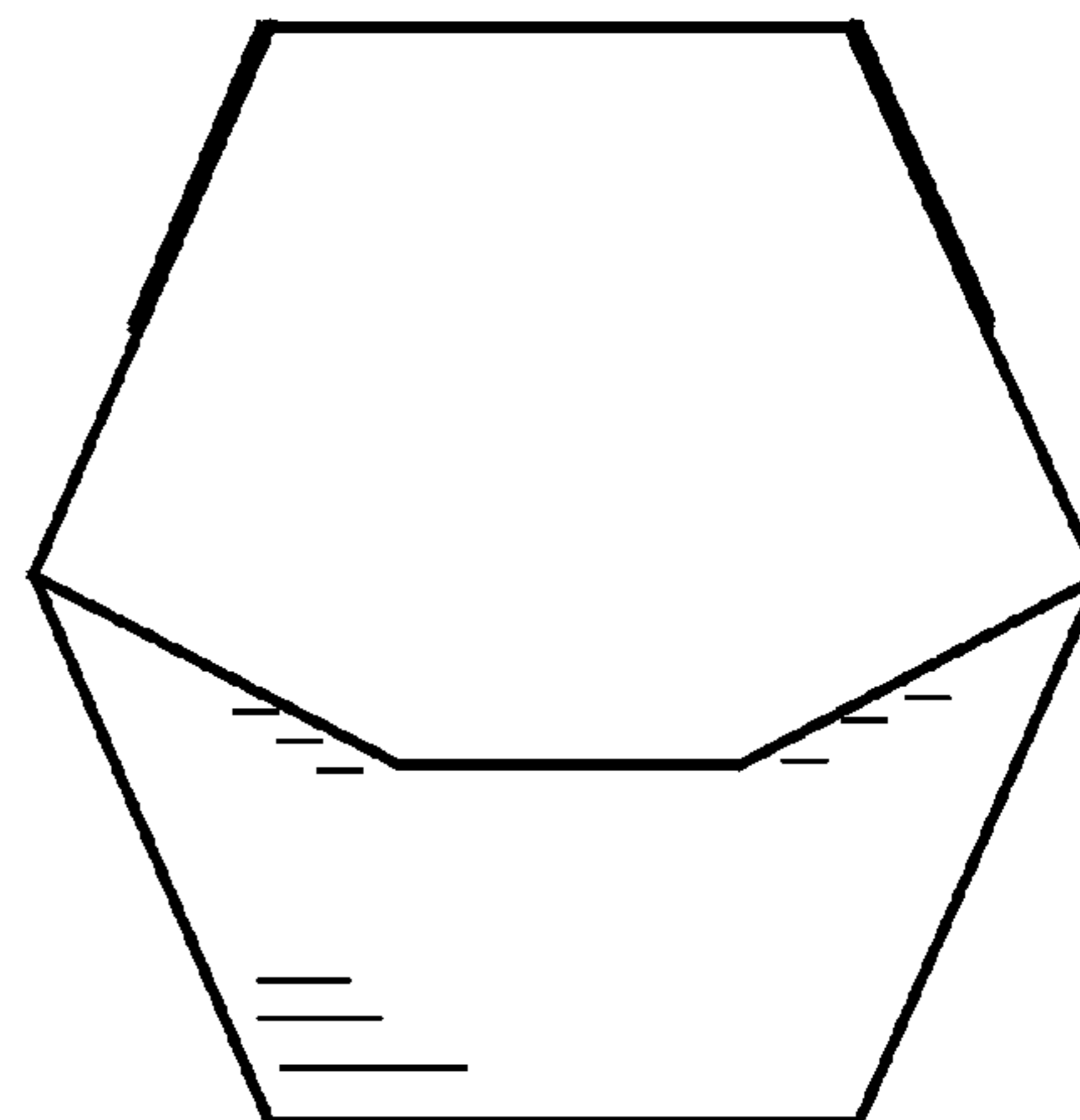
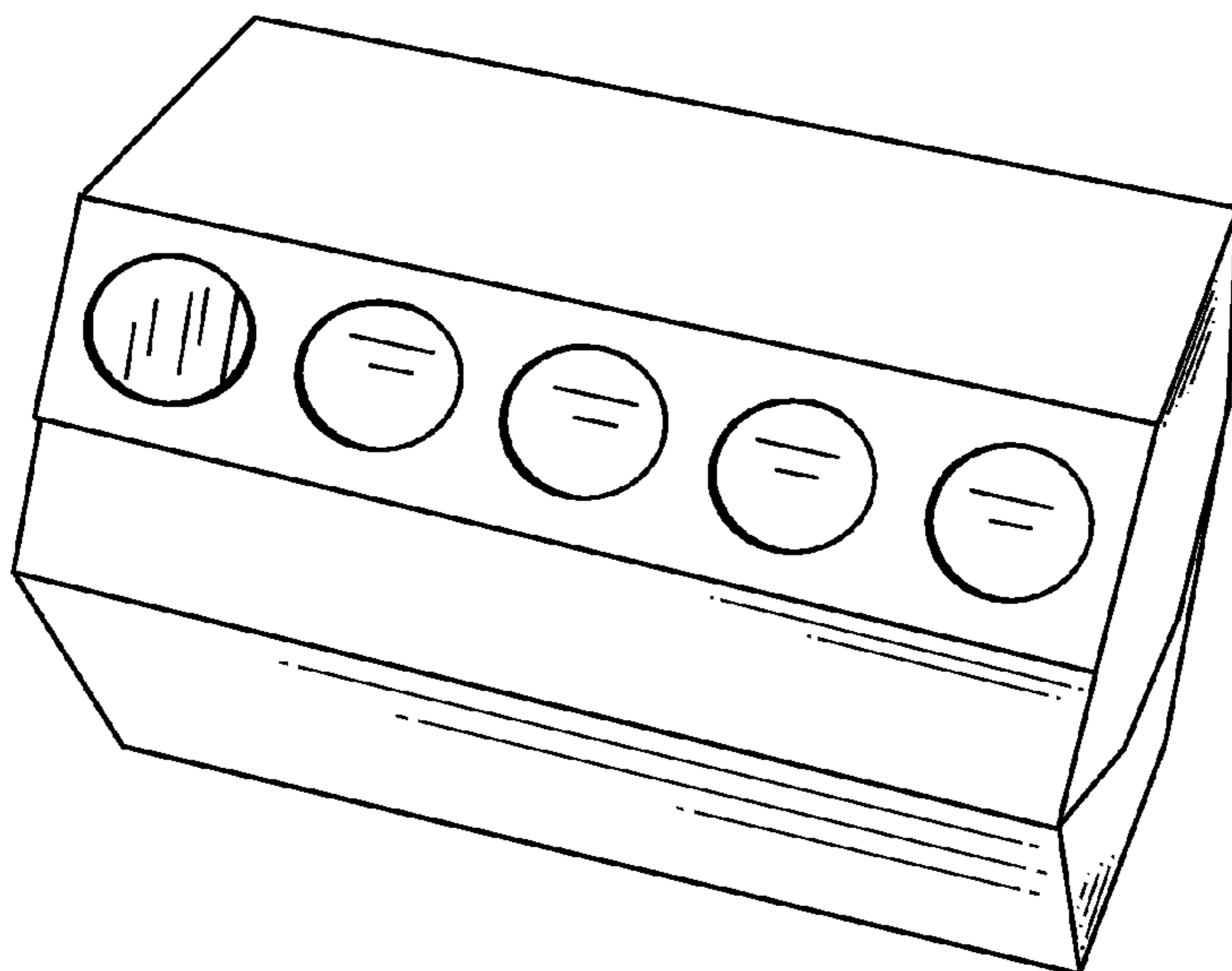
FIG. 7 is a right elevational view, the left being a mirror image thereof;

FIG. 8 is a front elevational view, the back being a mirror image thereof;

FIG. 9 is a top plan view thereof; and,

FIG. 10 is a bottom plan view thereof.

1 Claim, 4 Drawing Sheets



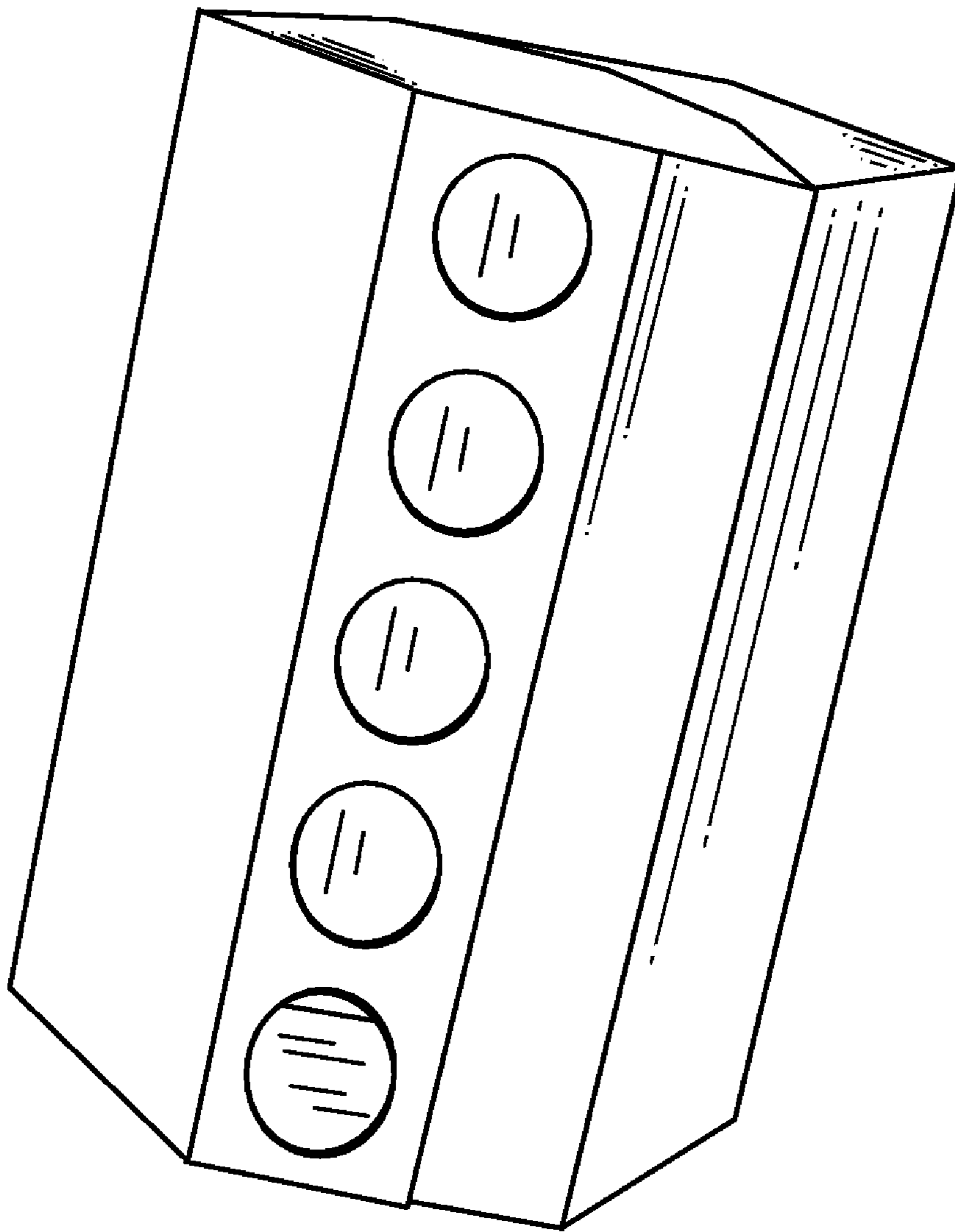


Fig. 1

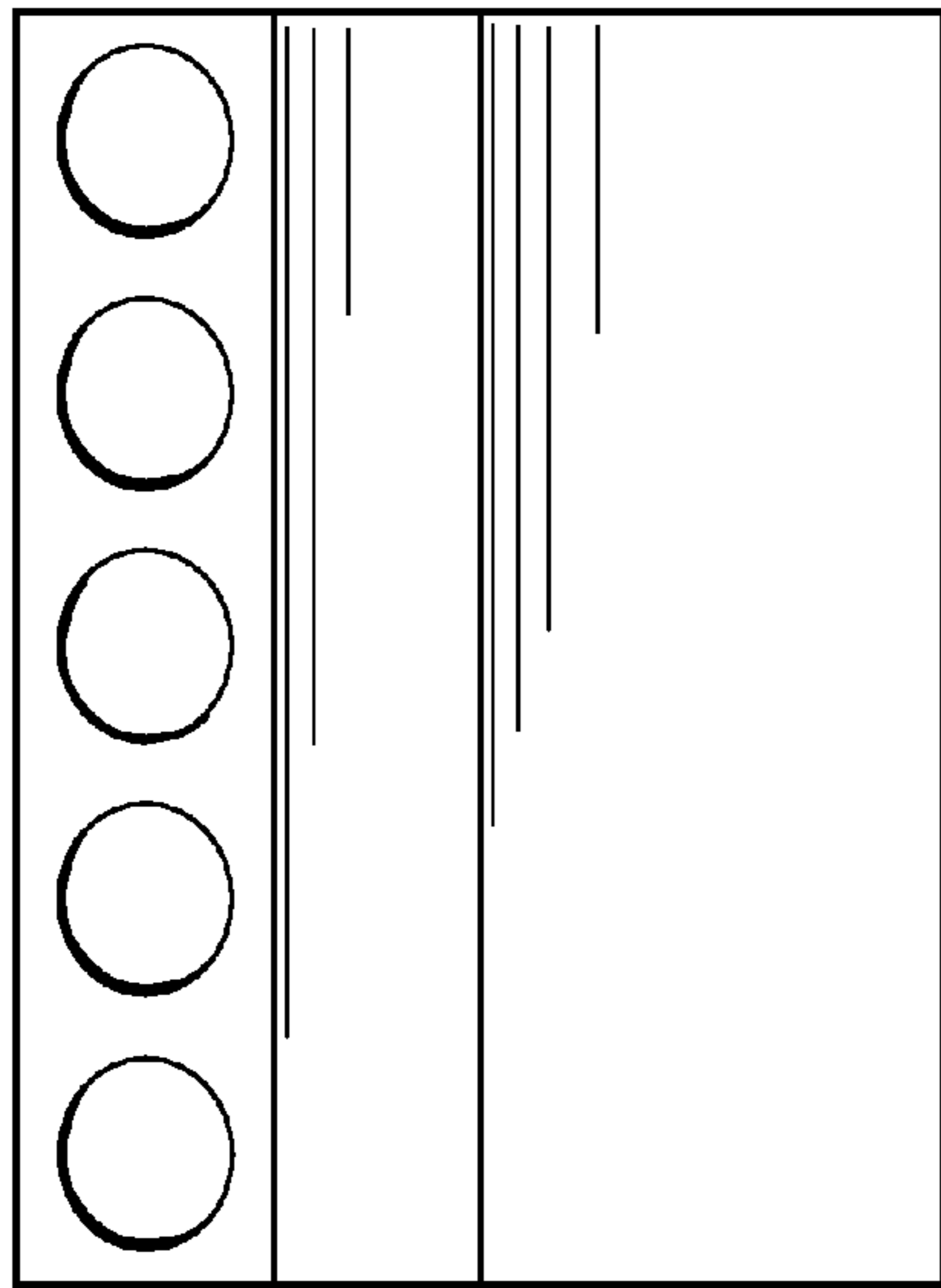


Fig. 2

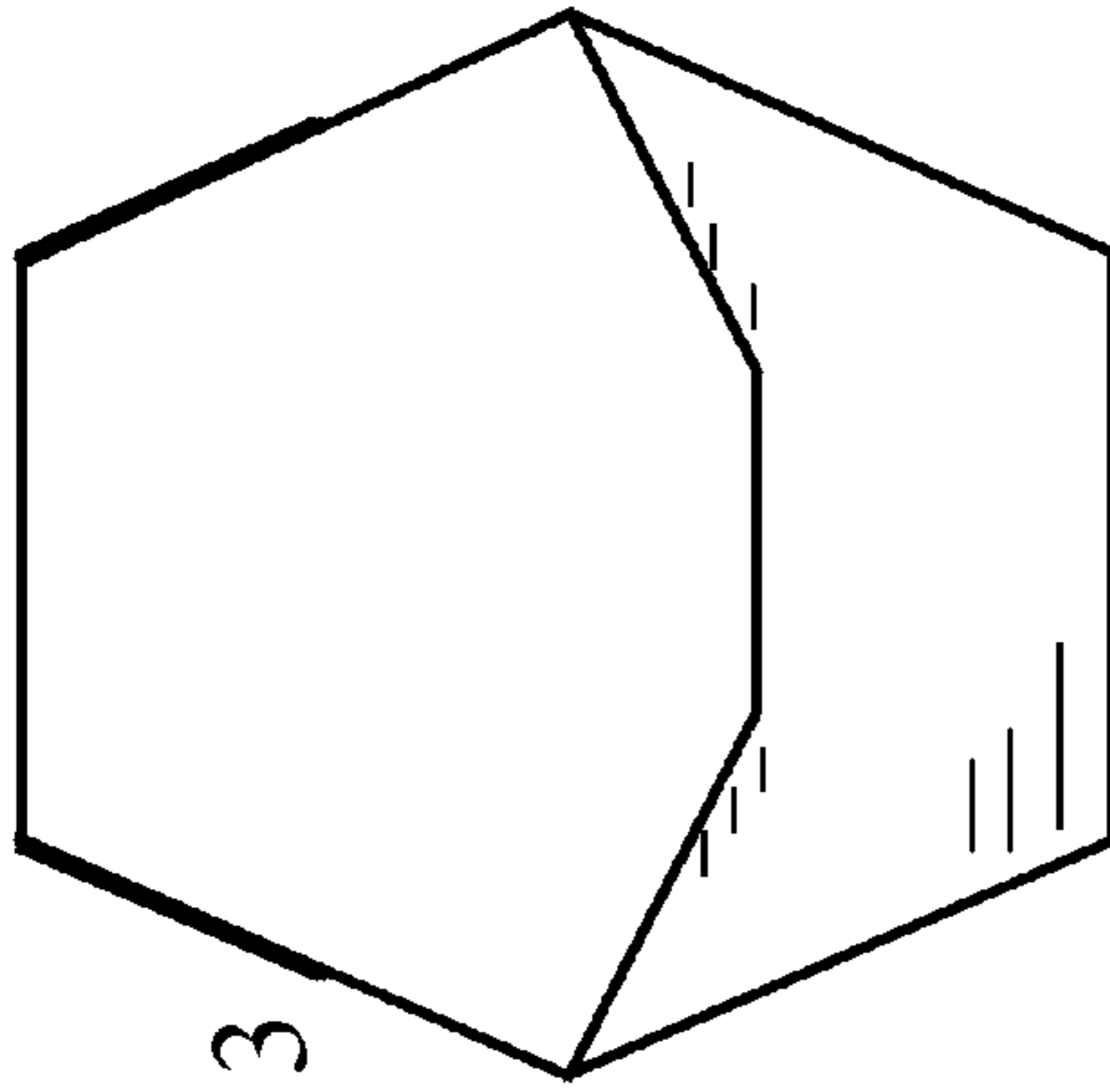


Fig. 3

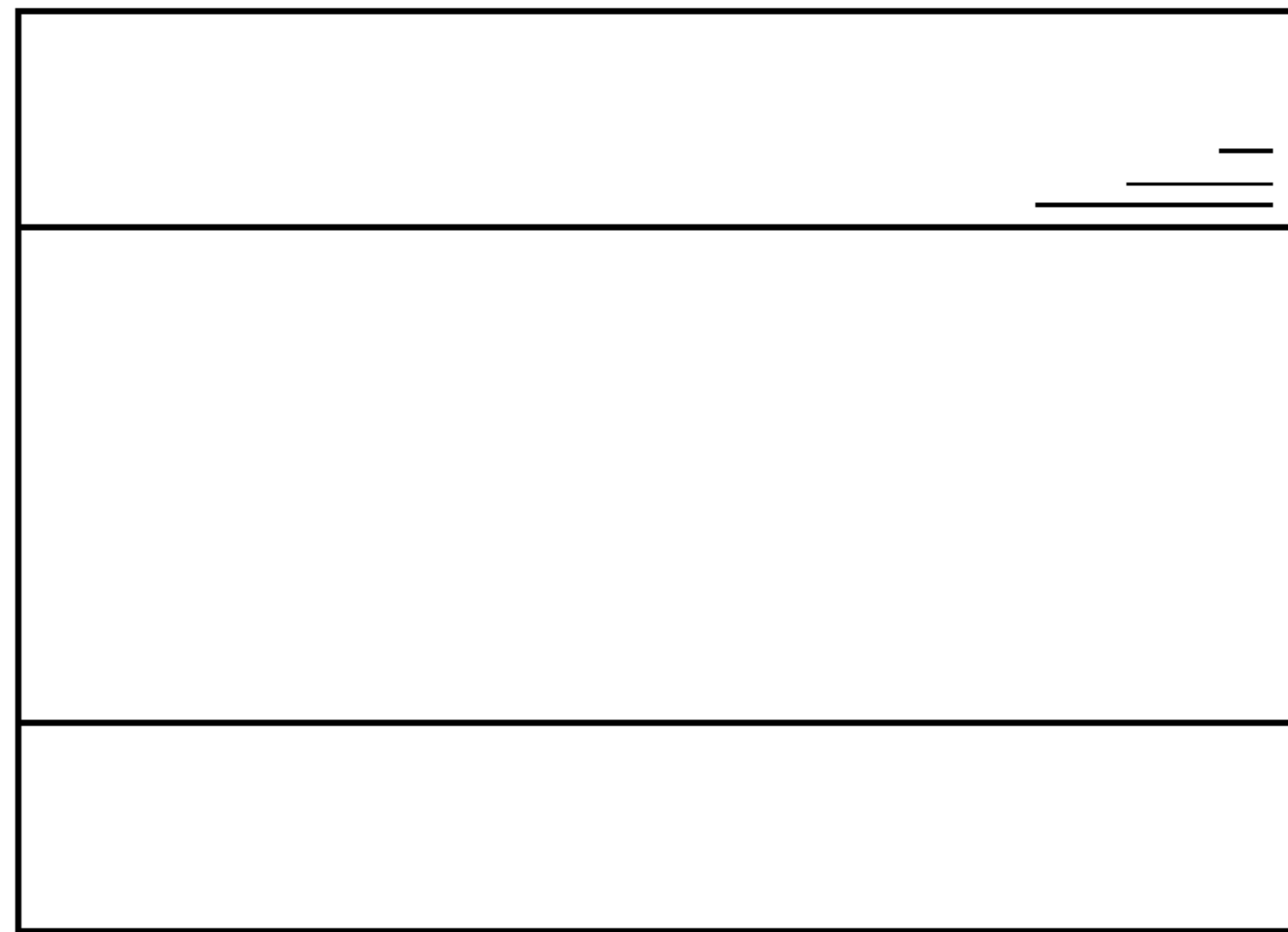


Fig. 4

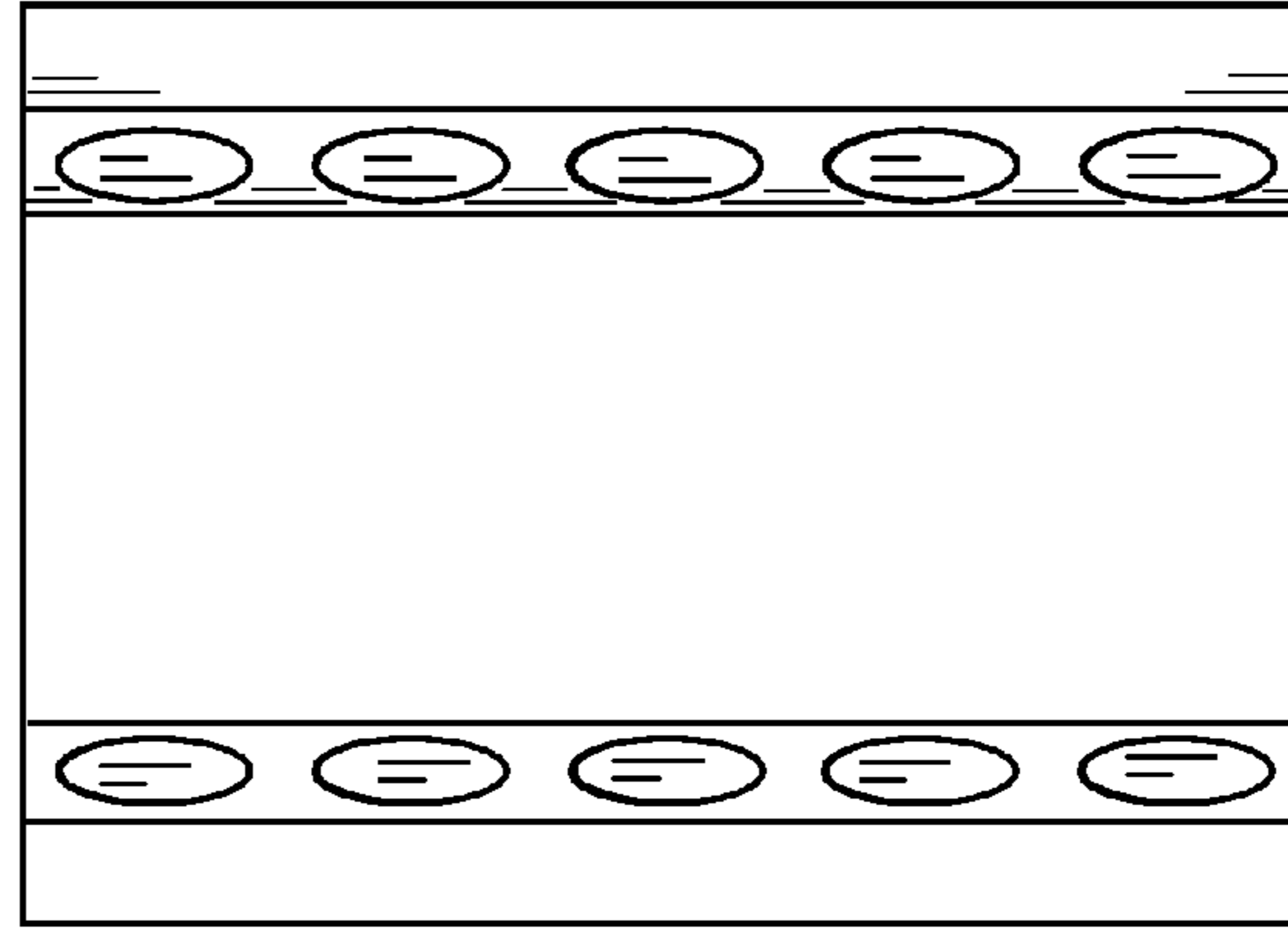
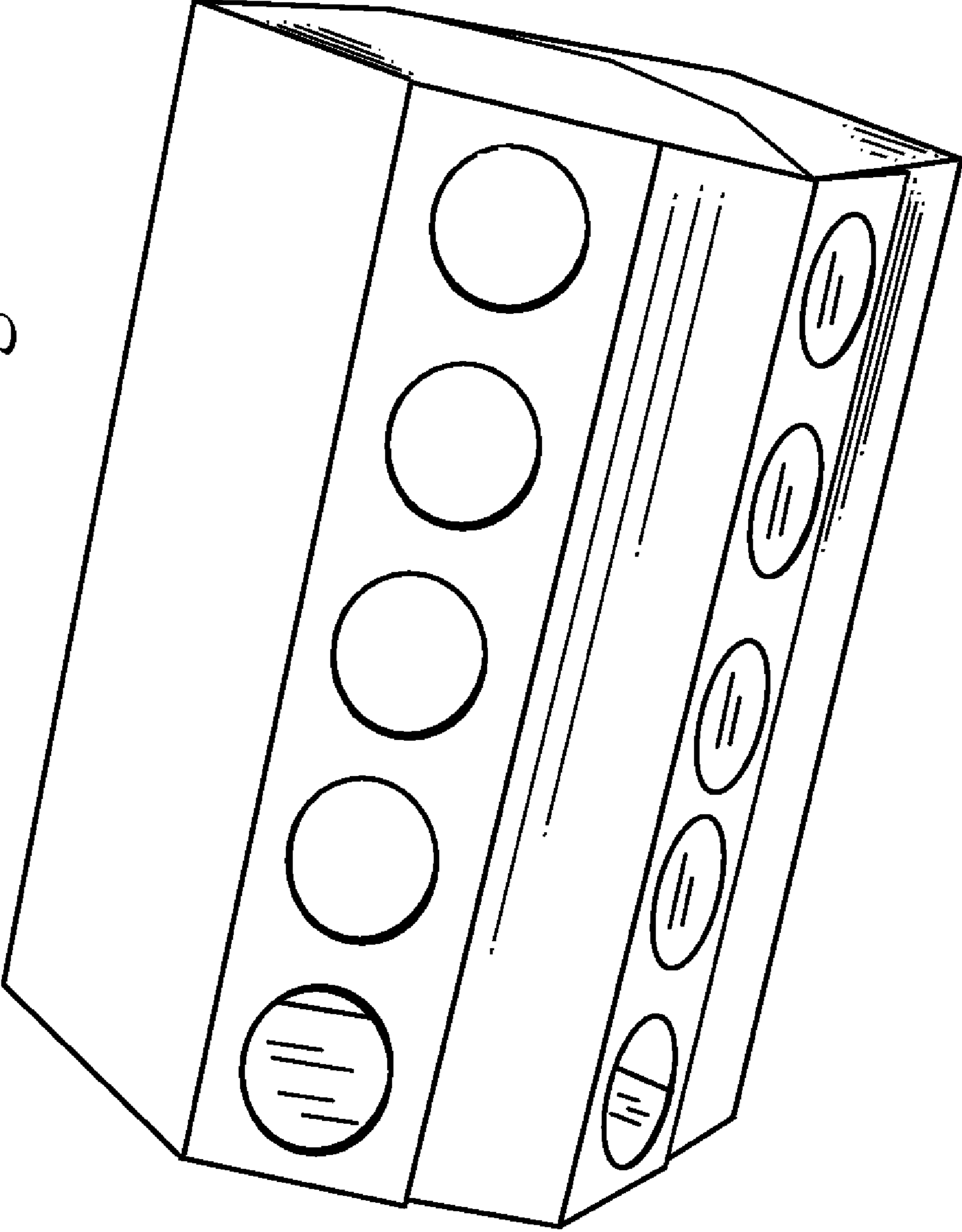


Fig. 5

Fig. 6



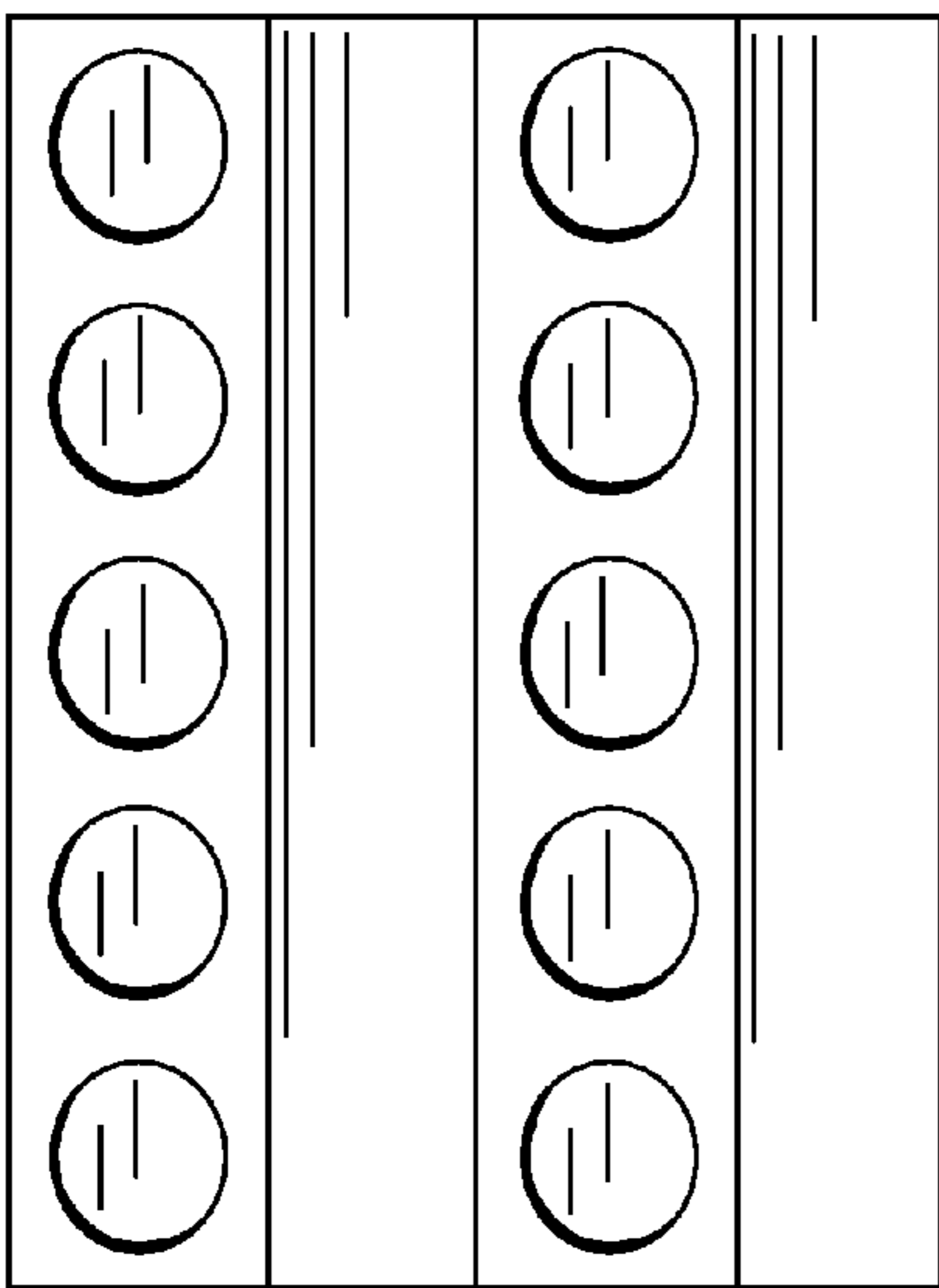


Fig. 7

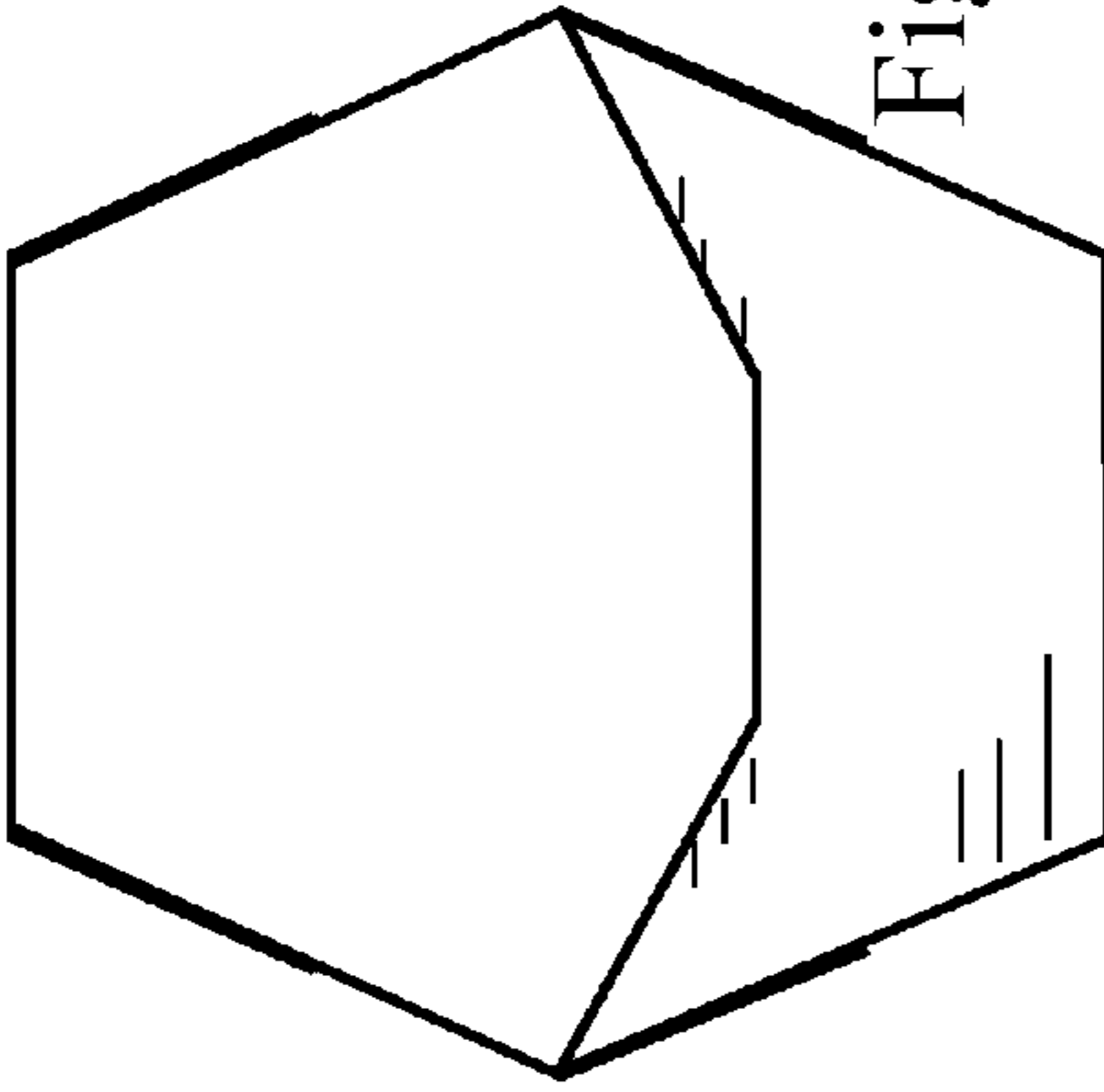


Fig. 8

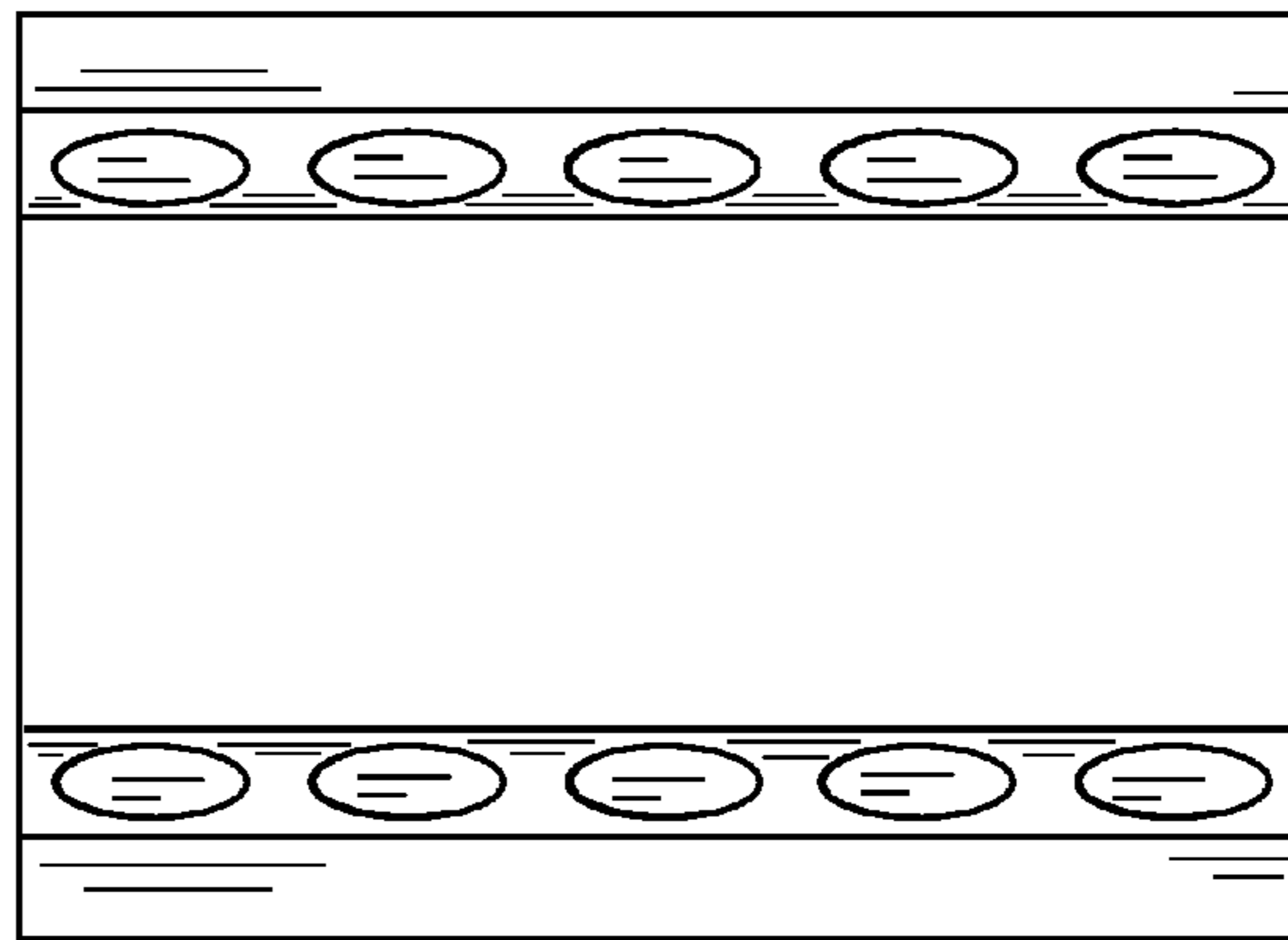


Fig. 9

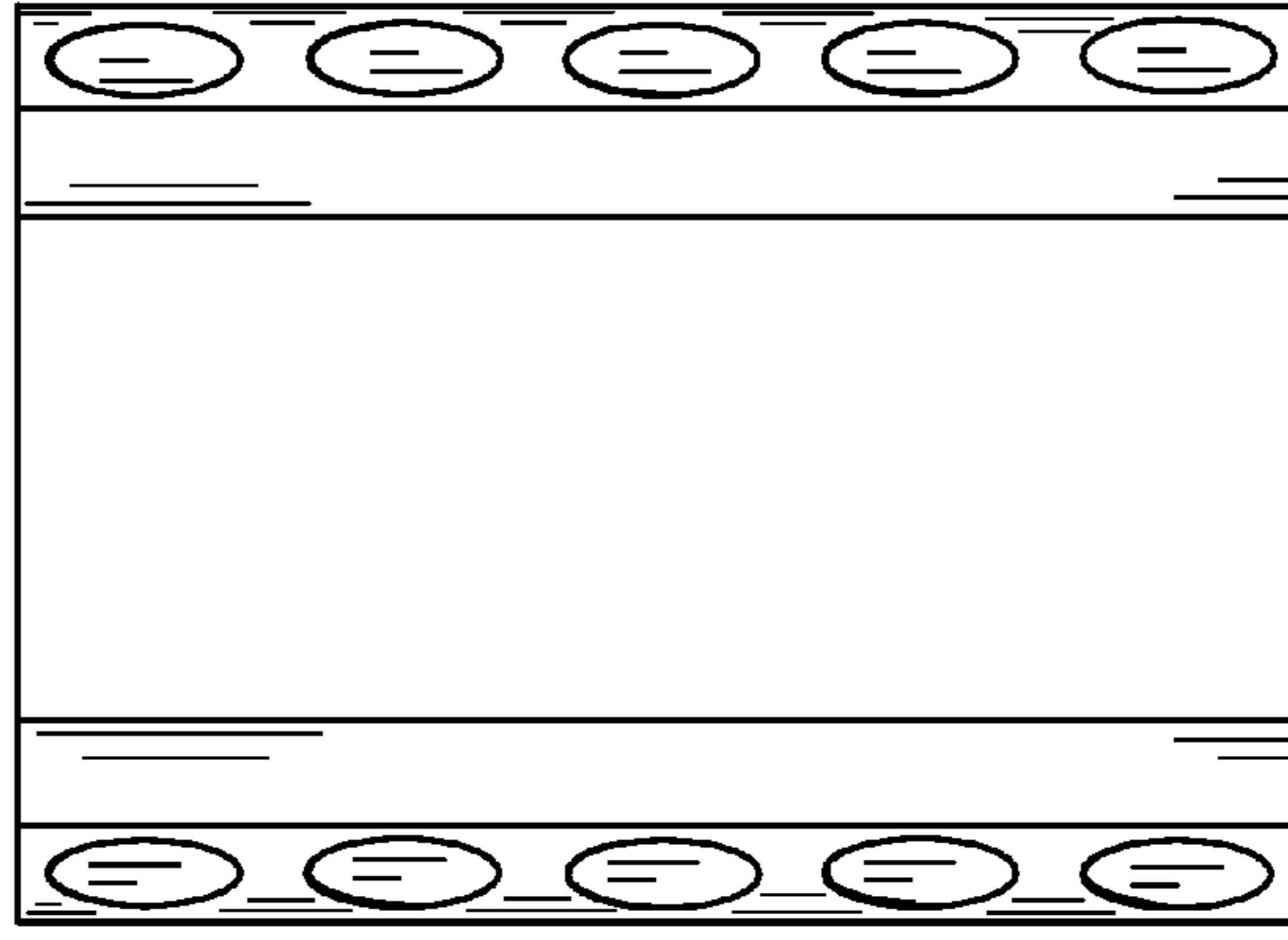


Fig. 10