

US00D568731S

(12) **United States Design Patent**
Campbell

(10) **Patent No.:** **US D568,731 S**

(45) **Date of Patent:** **** May 13, 2008**

(54) **COMBINED BOLT AND MALE KEYWAY**

(76) **Inventor:** **R. Bryce Campbell**, 3800 S. Cantabria Cir., #1019, Chandler, AZ (US) 85248

(**) **Term:** **14 Years**

(21) **Appl. No.:** **29/258,940**

(22) **Filed:** **Apr. 28, 2006**

(51) **LOC (8) Cl.** **08-08**

(52) **U.S. Cl.** **D8/387**

(58) **Field of Classification Search** D8/387;
411/403

See application file for complete search history.

(56) **References Cited**

U.S. PATENT DOCUMENTS

755,804 A	3/1904	Smith	
2,248,695 A	7/1941	Bradshaw	
2,338,023 A	12/1943	Bugg	
D170,571 S *	10/1953	Fulop	D8/387
2,813,450 A	11/1957	Ozus	
3,078,754 A	2/1963	DeLacy	
3,079,968 A *	3/1963	Buckley	411/304
3,106,862 A	10/1963	Briles	
3,241,408 A	3/1966	McCauley	
3,400,626 A	9/1968	Bergere	
3,463,209 A *	8/1969	Podolsky	81/436
3,874,258 A	4/1975	Semola et al.	
D245,147 S	7/1977	Ono	
4,125,051 A	11/1978	Herkes et al.	
4,253,509 A	3/1981	Collet	
4,480,513 A	11/1984	McCauley et al.	
D285,651 S *	9/1986	Iwata et al.	D8/387

4,832,556 A	5/1989	Dowling	
D322,928 S	1/1992	Snodell	
5,207,132 A *	5/1993	Goss et al.	81/460
5,366,330 A	11/1994	Cosenza	
5,730,567 A	3/1998	Haseley et al.	
5,870,934 A	2/1999	Cullinan	
D414,402 S *	9/1999	Lee	D8/387
D415,676 S *	10/1999	Negishi et al.	D8/387
6,017,177 A	1/2000	Lanham	
D422,202 S *	4/2000	Maki	D8/387
6,109,851 A *	8/2000	Bauer et al.	411/411
6,186,718 B1	2/2001	Fogard	
D472,434 S	4/2003	Trempala	
D483,659 S *	12/2003	Naumoff	D8/387

* cited by examiner

Primary Examiner—Holly H. Baynham

Assistant Examiner—Sheryl Friedman

(74) *Attorney, Agent, or Firm*—Cahill, von Hellens & Glaser, PLC

(57) **CLAIM**

I claim the ornamental design for a combined bolt and male keyway, as shown and described.

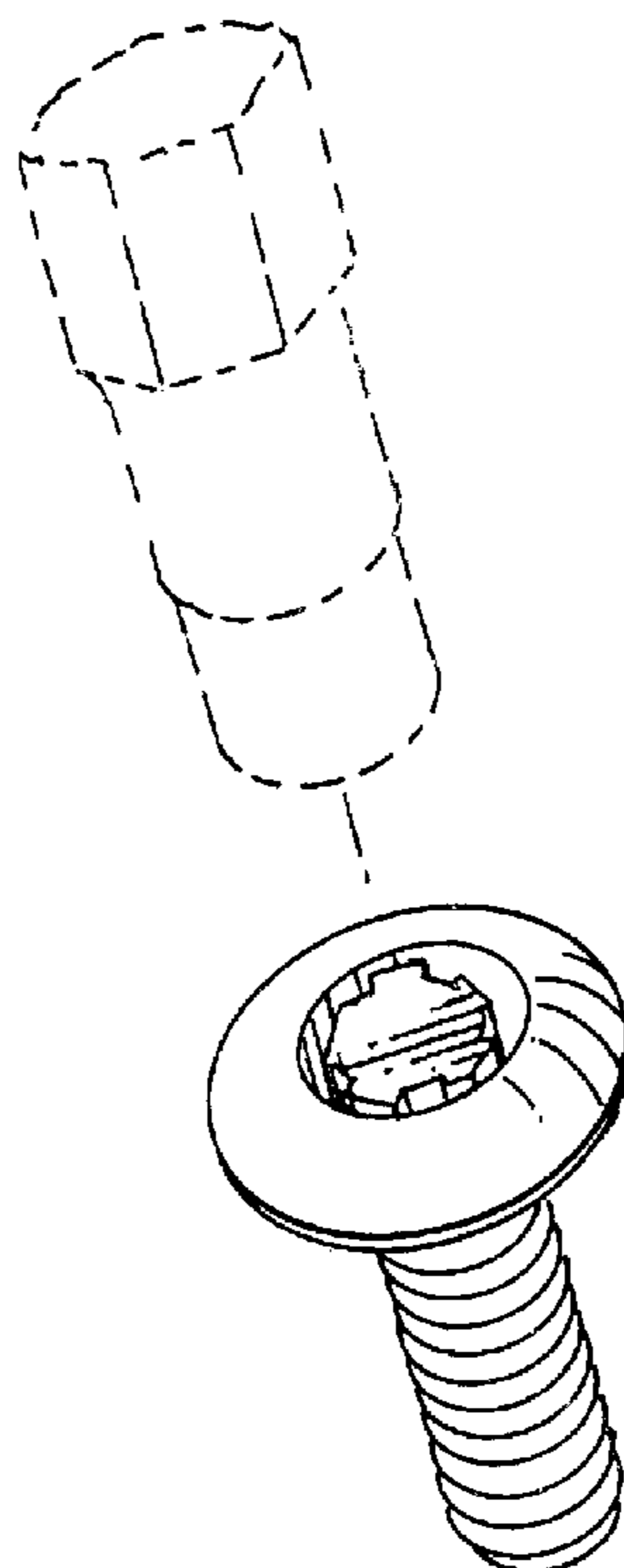
DESCRIPTION

FIG. 1 is a perspective view of my new design showing a male keyway in the head of a bolt; the key for the keyway is shown in broken lines to illustrate mode of use; and,

FIG. 2 is a top view of the bolt.

The broken lines are included for the purpose of illustrating mode of use and form no part of the claimed design.

1 Claim, 1 Drawing Sheet



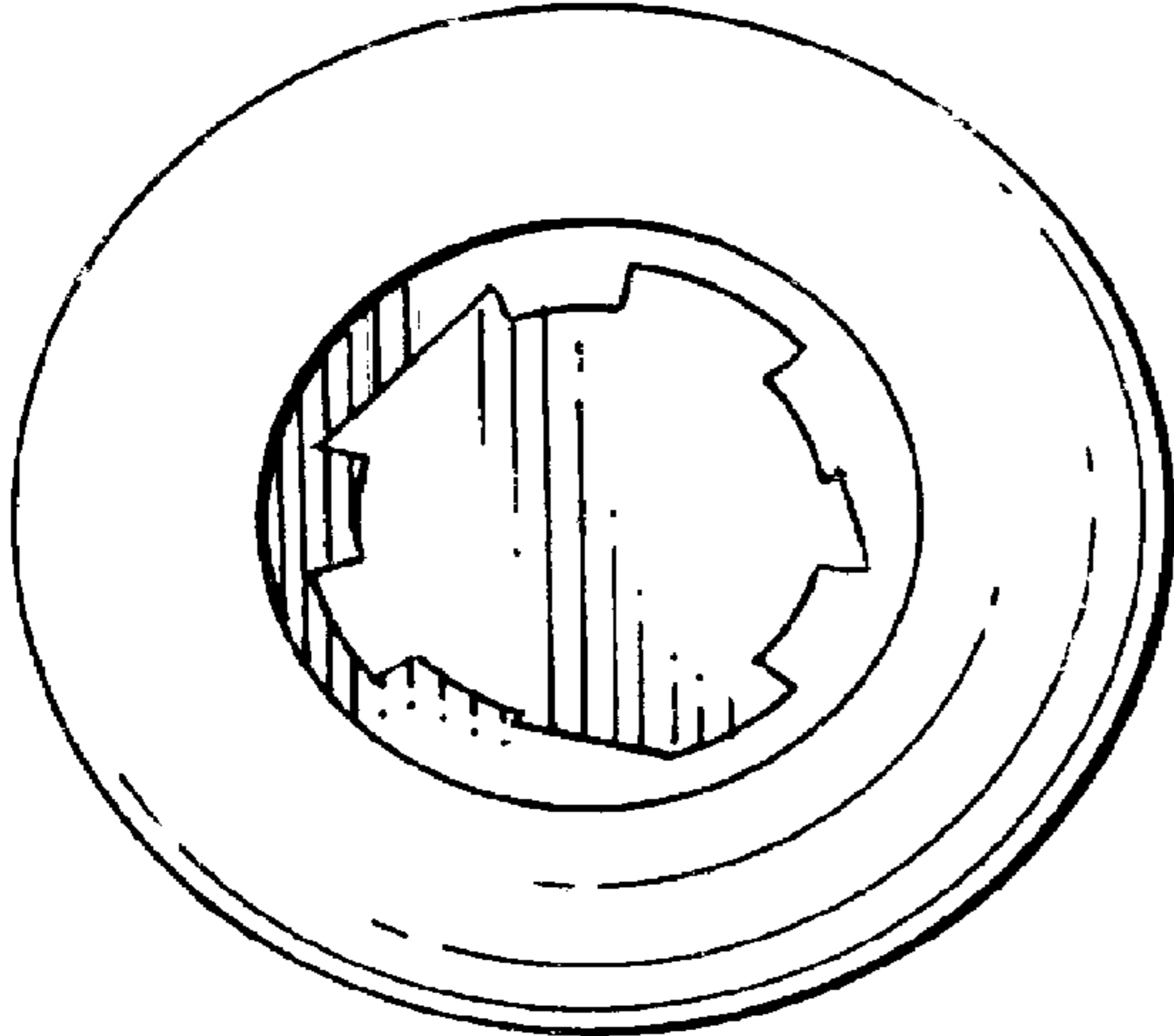
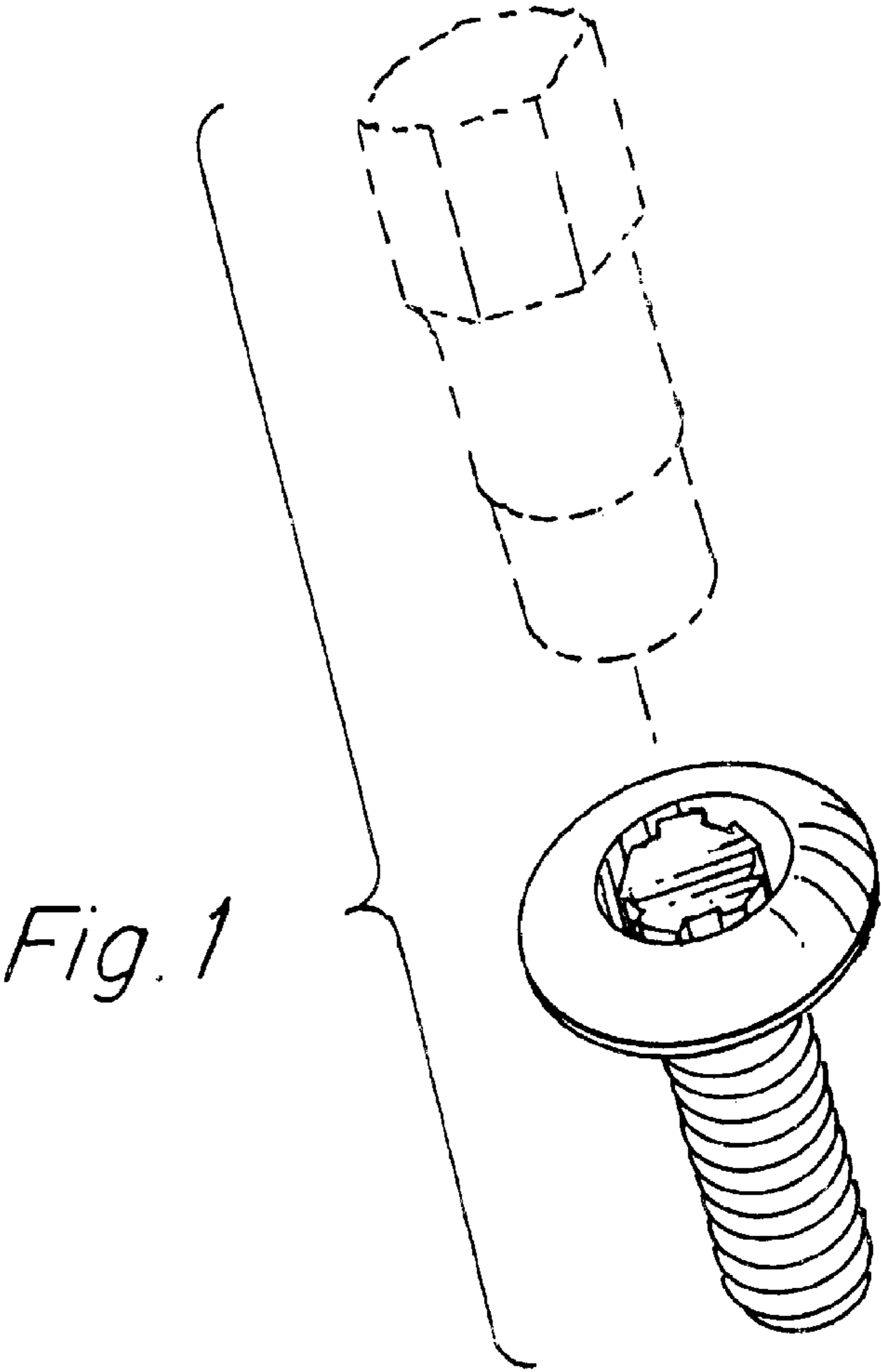


Fig. 2