



US00D568730S

(12) **United States Design Patent**  
**Clarke**

(10) **Patent No.:** **US D568,730 S**

(45) **Date of Patent:** **\*\* May 13, 2008**

(54) **WIRE TERMINATION DEVICE**

(75) Inventor: **Neil Clarke**, Rotherham (GB)

(73) Assignee: **Gripple Limited**, Sheffield (GB)

(\*\*) Term: **14 Years**

(21) Appl. No.: **29/241,796**

(22) Filed: **Nov. 1, 2005**

(51) **LOC (8) Cl.** ..... **08-08**

(52) **U.S. Cl.** ..... **D8/383**

(58) **Field of Classification Search** ..... D8/382,  
D8/383; 439/404, 409, 410, 417, 369; 24/115 R  
See application file for complete search history.

(56) **References Cited**

U.S. PATENT DOCUMENTS

D247,345 S *	2/1978	Mulholland	.....	D8/383
5,637,011 A *	6/1997	Meyerhoefer et al.	.....	439/409
D499,330 S *	12/2004	Peato	.....	D8/383
7,168,992 B2 *	1/2007	Vo et al.	.....	439/676
2002/0155745 A1 *	10/2002	Vo et al.	.....	439/352

\* cited by examiner

*Primary Examiner*—Holly H. Baynham

*Assistant Examiner*—Sheryl Friedman

(74) *Attorney, Agent, or Firm*—King & Schickli, PLLC

(57) **CLAIM**

The ornamental design of a wire termination device, as shown and described.

**DESCRIPTION**

FIG. 1 is a perspective view of the device;

FIG. 2 is another perspective view of the device;

FIG. 3 is a side elevation view of the device, the opposite side being a mirror image;

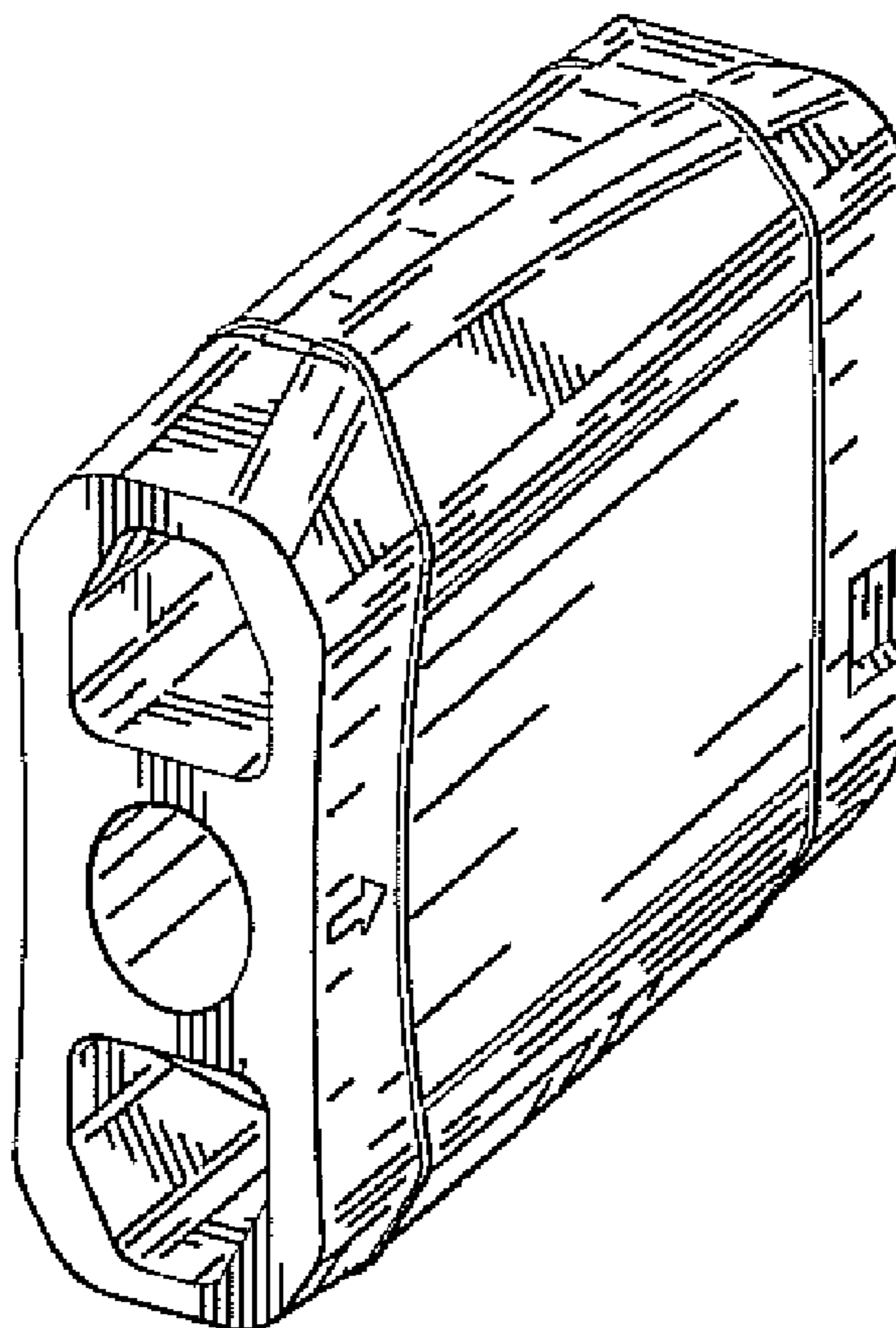
FIG. 4 is a left side elevation view of the device as shown in FIG. 3;

FIG. 5 is a right side elevation view of the device as shown in FIG. 3;

FIG. 6 is a top view of the device as shown in FIG. 3; and,

FIG. 7 is a bottom elevation view of the device as shown in FIG. 3.

**1 Claim, 1 Drawing Sheet**



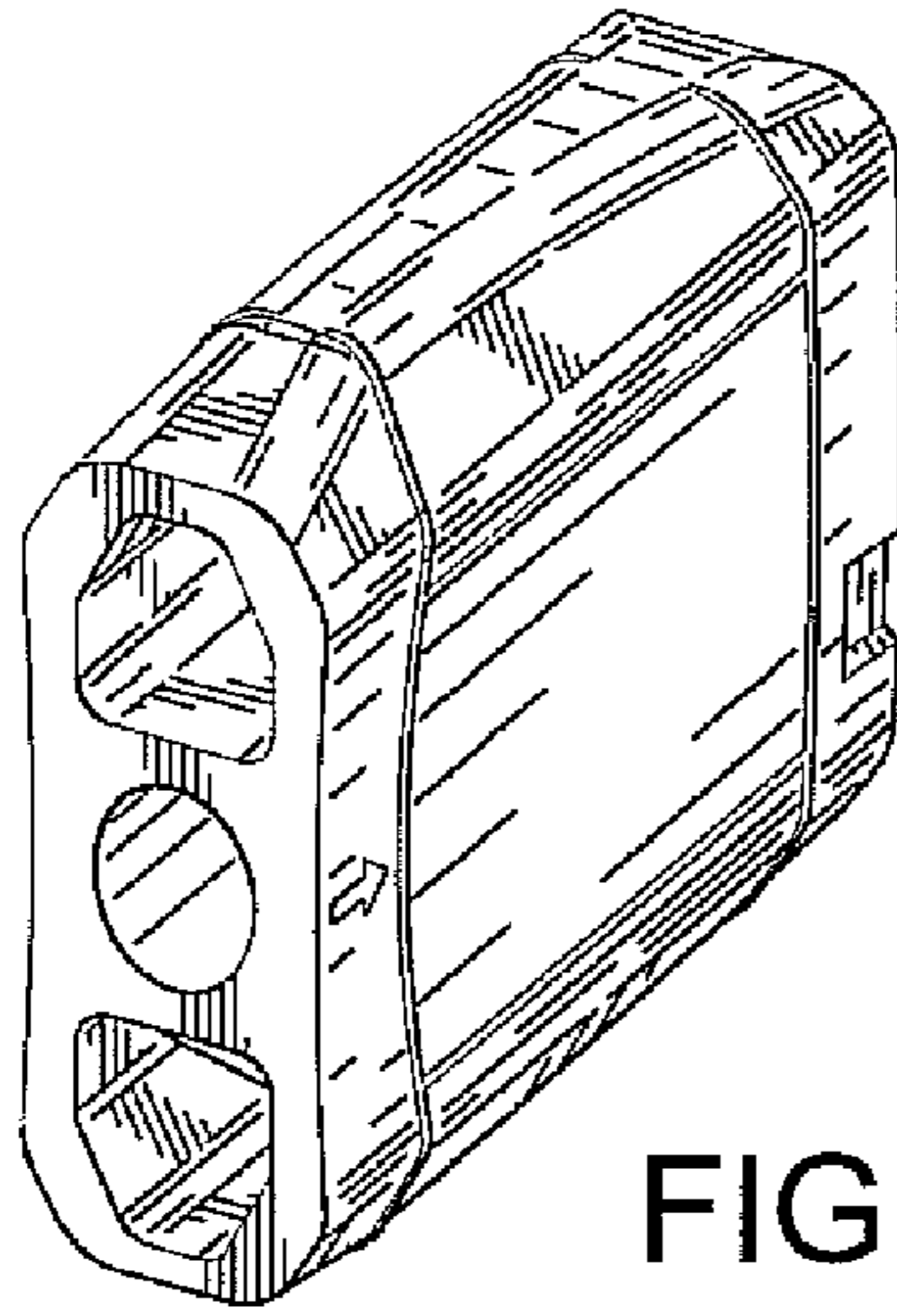


FIG. 1

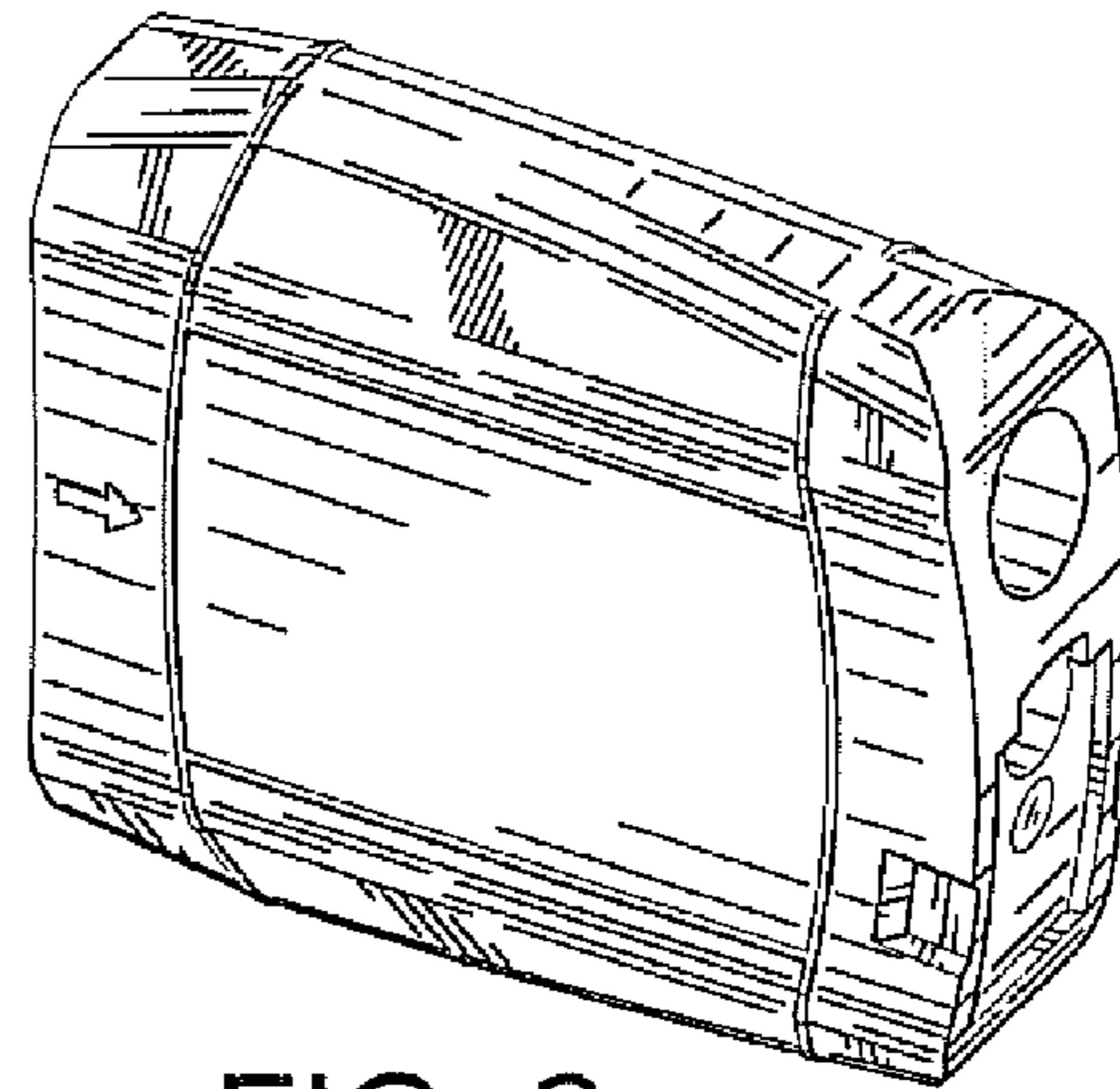


FIG. 2

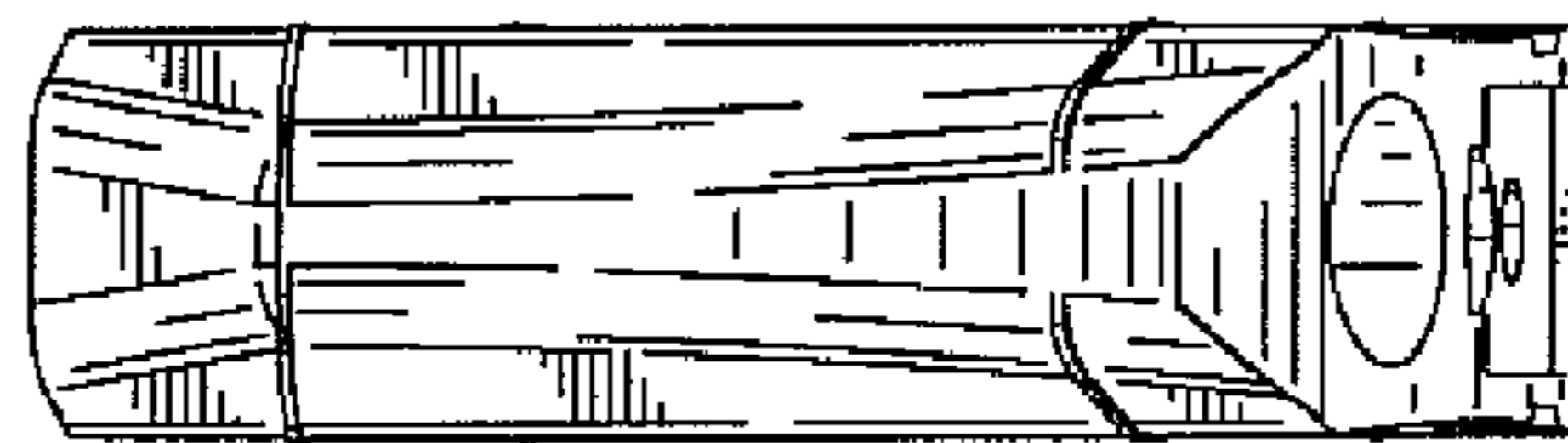


FIG. 6

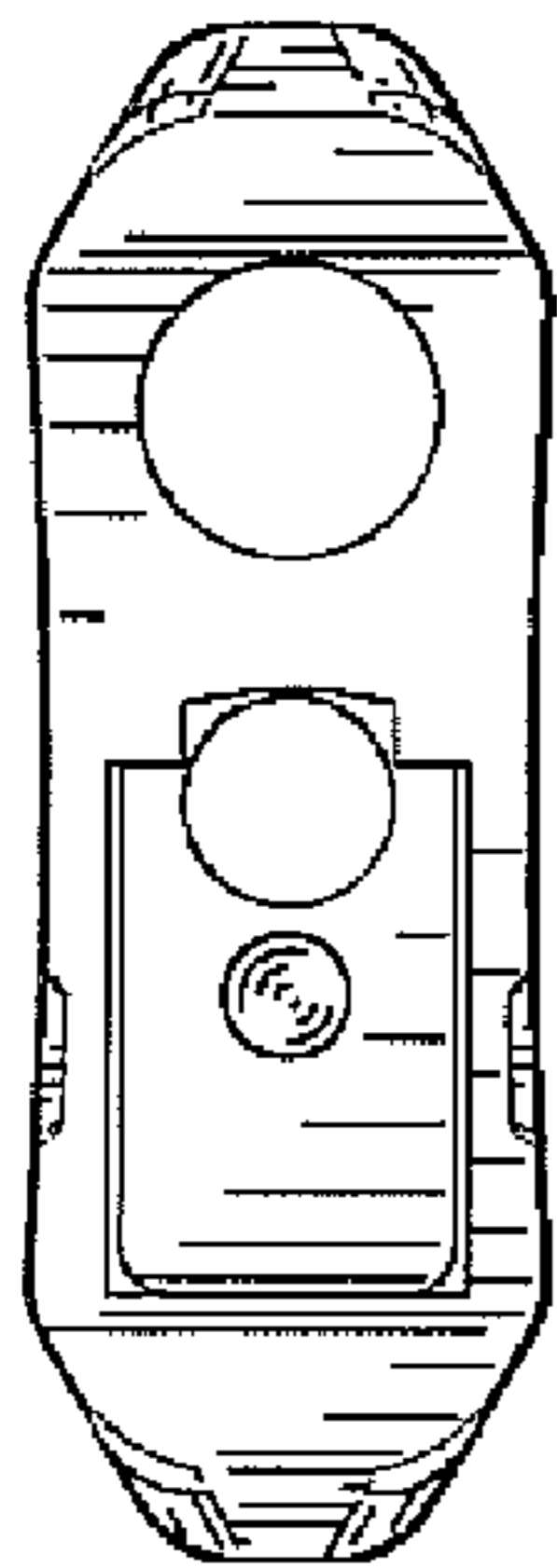


FIG. 4

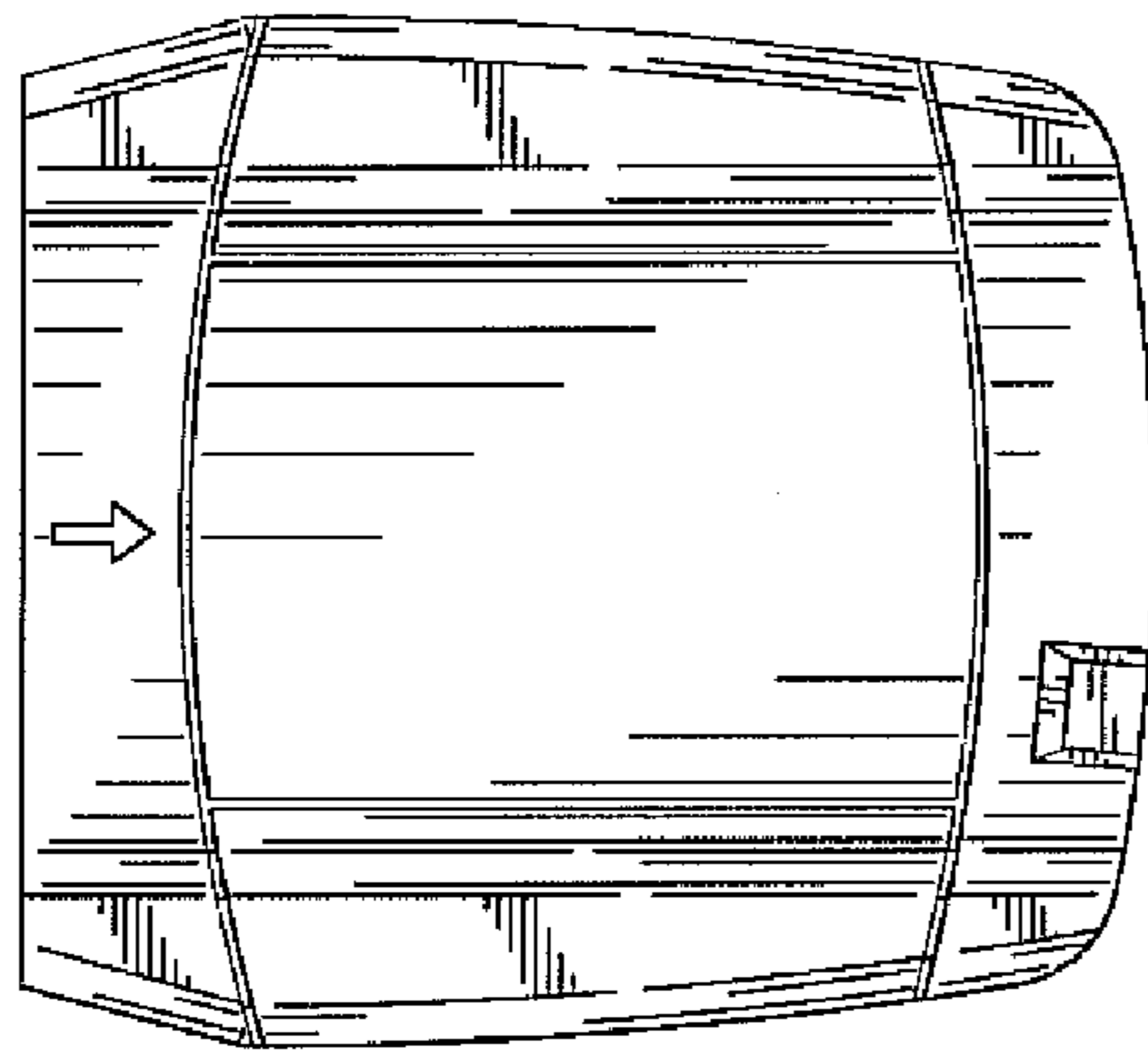


FIG. 3

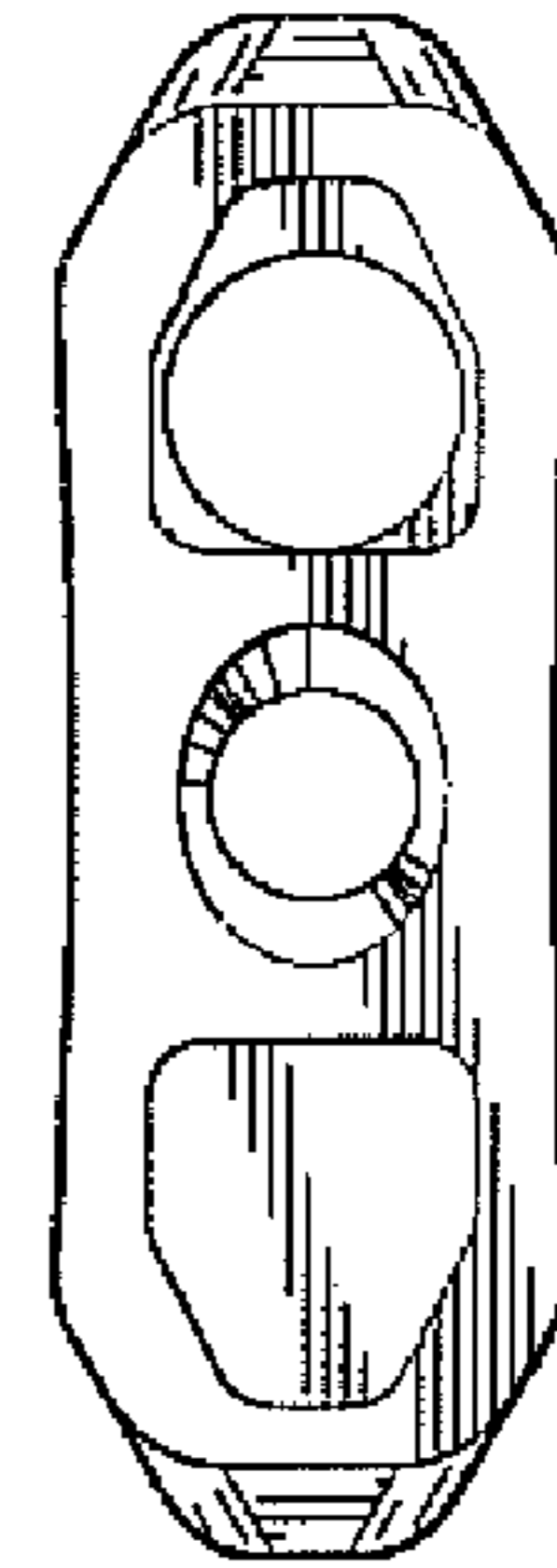


FIG. 5

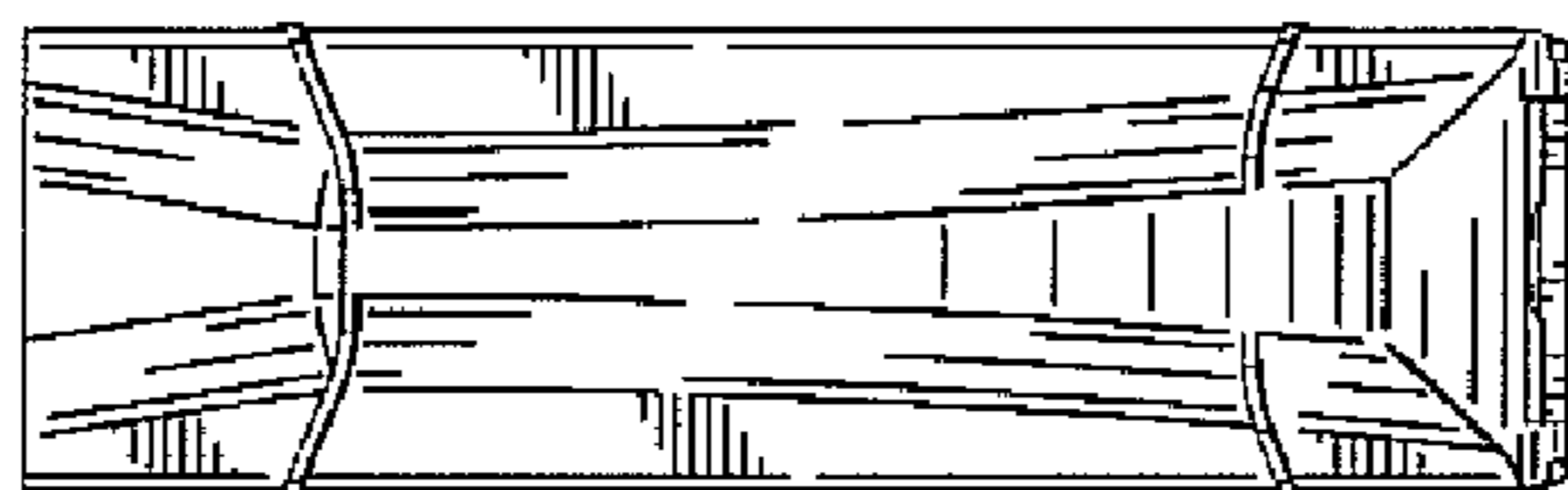


FIG. 7