



US00D568729S

(12) **United States Design Patent**
Gary

(10) **Patent No.:** **US D568,729 S**

(45) **Date of Patent:** **** May 13, 2008**

(54) **CARTRIDGE PIN**

(75) Inventor: **Silva Gary**, Reseda, CA (US)

(73) Assignee: **Future Graphics, LLC**, San Fernando, CA (US)

(**) Term: **14 Years**

(21) Appl. No.: **29/270,079**

(22) Filed: **Dec. 14, 2006**

(51) **LOC (8) Cl.** **08-08**

(52) **U.S. Cl.** **D8/382**

(58) **Field of Classification Search** D8/382,
D8/384, 386; D18/56

See application file for complete search history.

(56) **References Cited**

U.S. PATENT DOCUMENTS

3,279,835	A *	10/1966	Kroh	403/326
4,908,916	A *	3/1990	Berte	24/453
5,904,599	A *	5/1999	Miller et al.	439/827
6,267,622	B1 *	7/2001	Nagata	439/603

* cited by examiner

Primary Examiner—Holly H. Baynham

Assistant Examiner—Sheryl Friedman

(74) *Attorney, Agent, or Firm*—Roland Tong

(57) **CLAIM**

I claim an ornamental design for a cartridge pin, as shown and described.

DESCRIPTION

FIG. 1 is substantially a perspective view of the cartridge pin of the present invention.

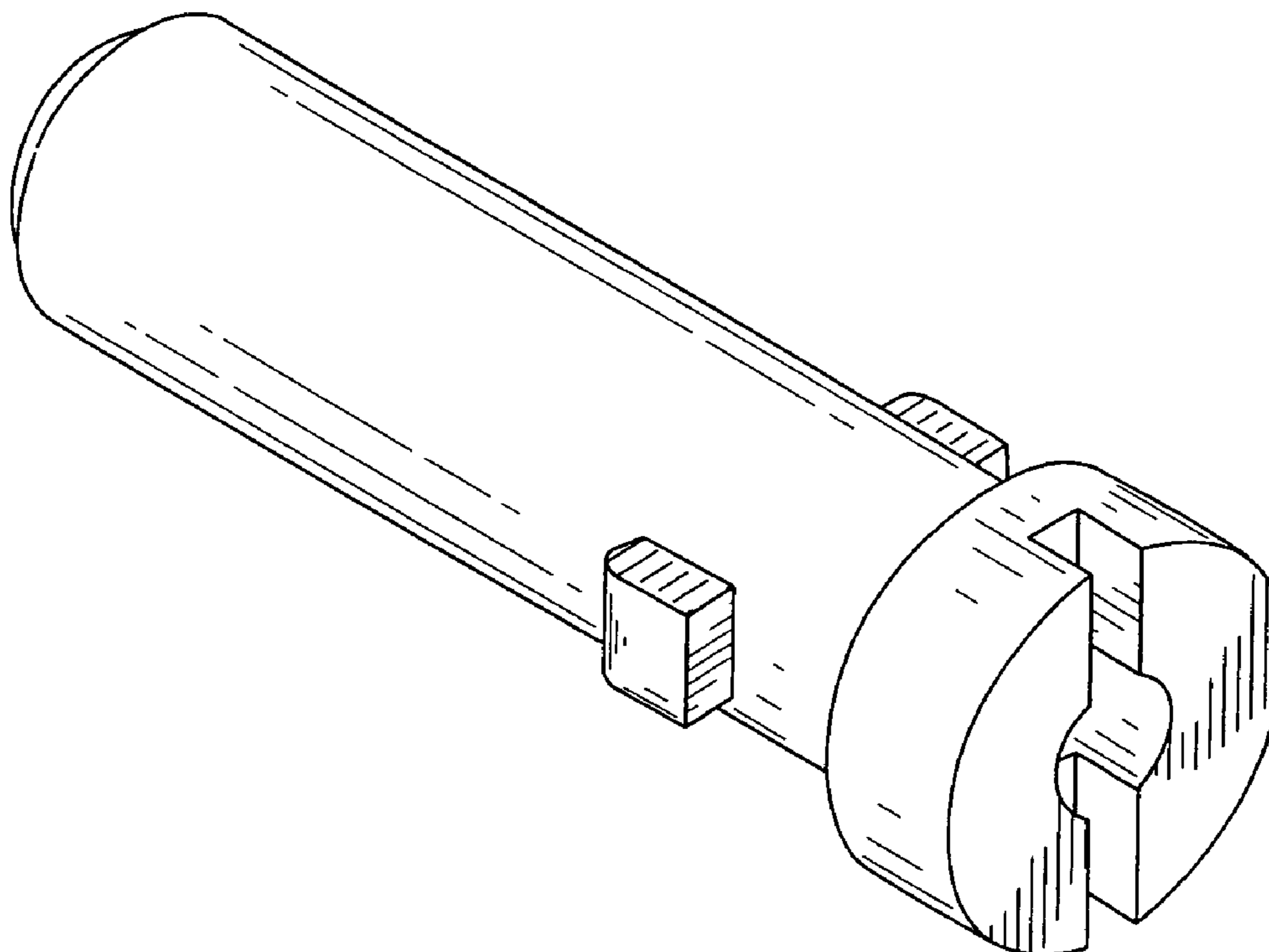
FIG. 2 is substantially a top elevational view of the cartridge pin shown in FIG. 1.

FIG. 3 is substantially a front elevational view of the cartridge pin shown in FIG. 1.

FIG. 4 is substantially a left side view of the cartridge pin shown in FIG. 1; and,

FIG. 5 is substantially a right side view of the cartridge pin shown in FIG. 1.

1 Claim, 4 Drawing Sheets



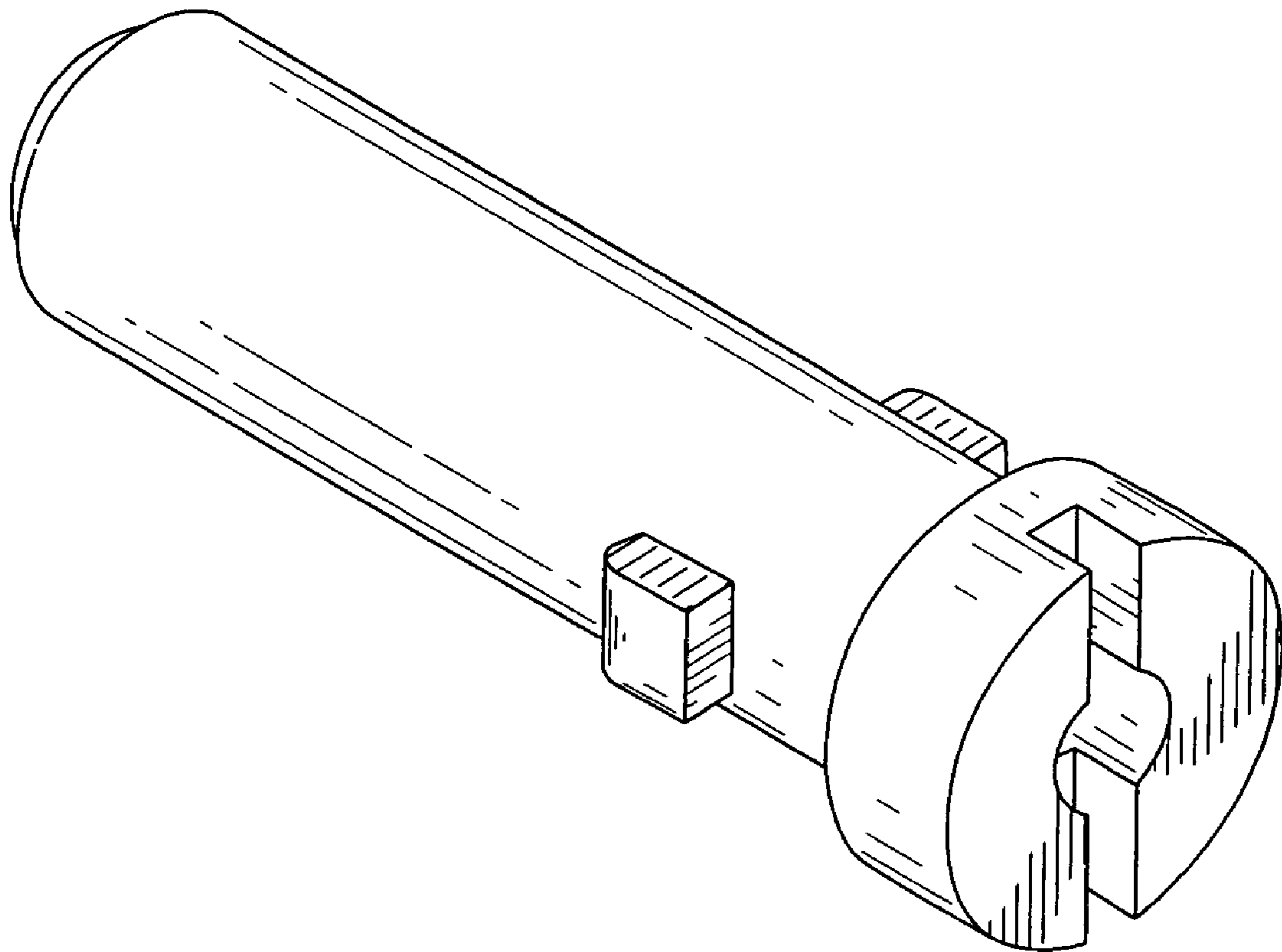


FIG. 1

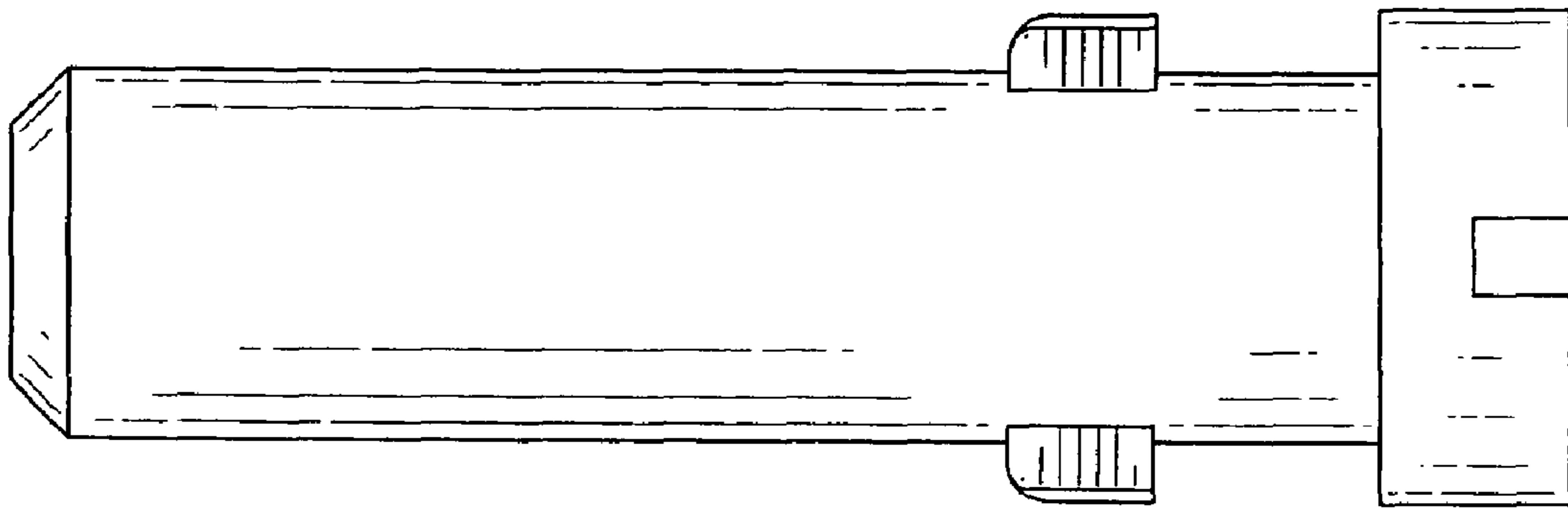


FIG. 2

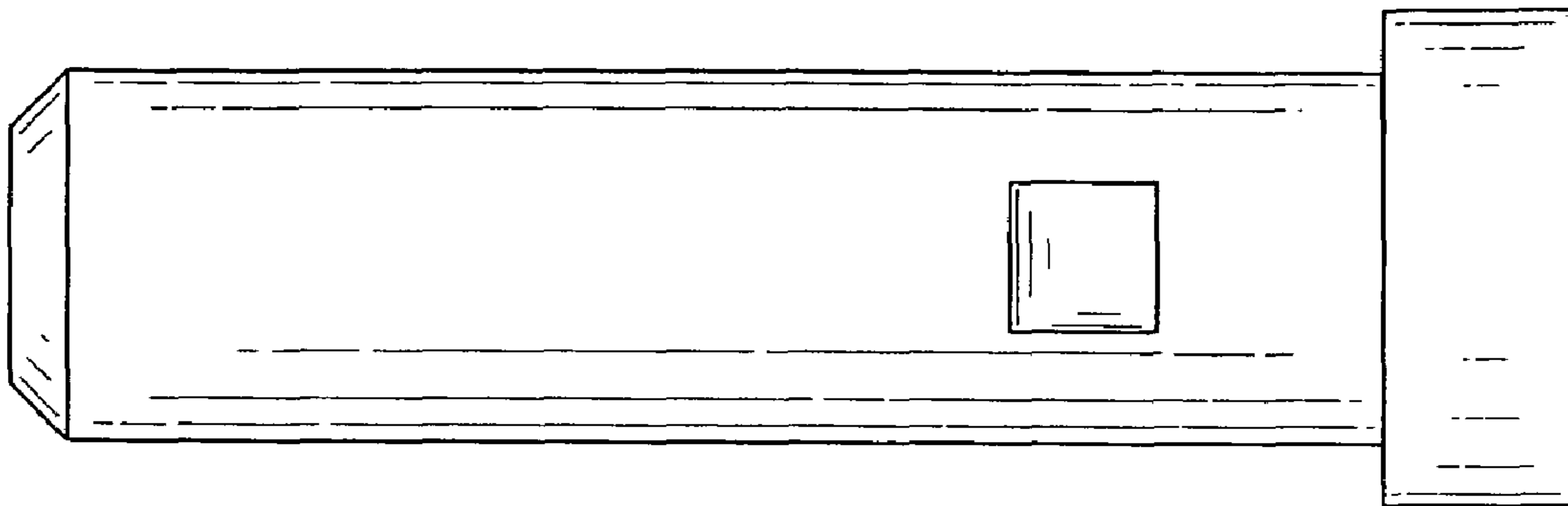


FIG. 3

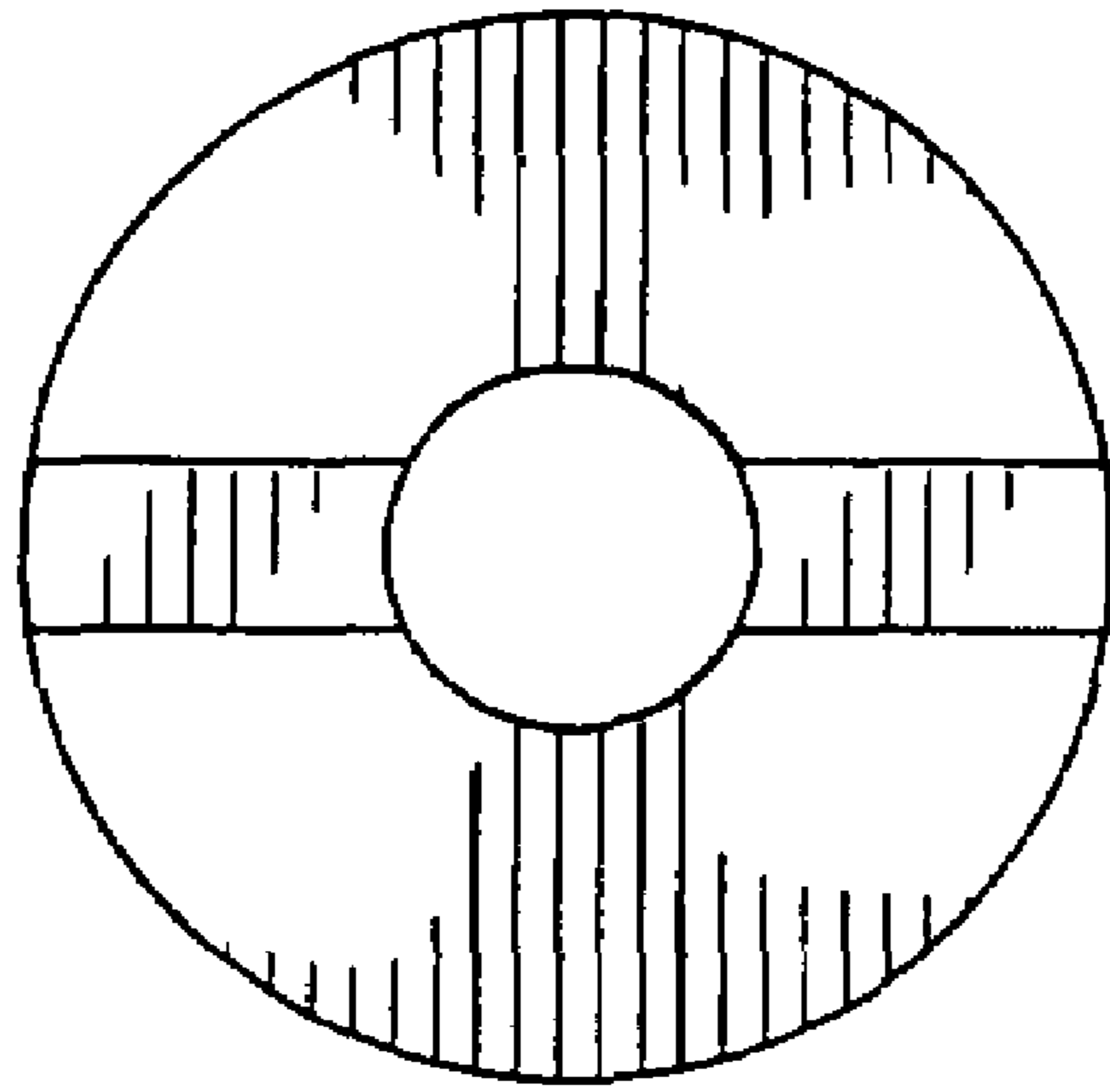


FIG. 4

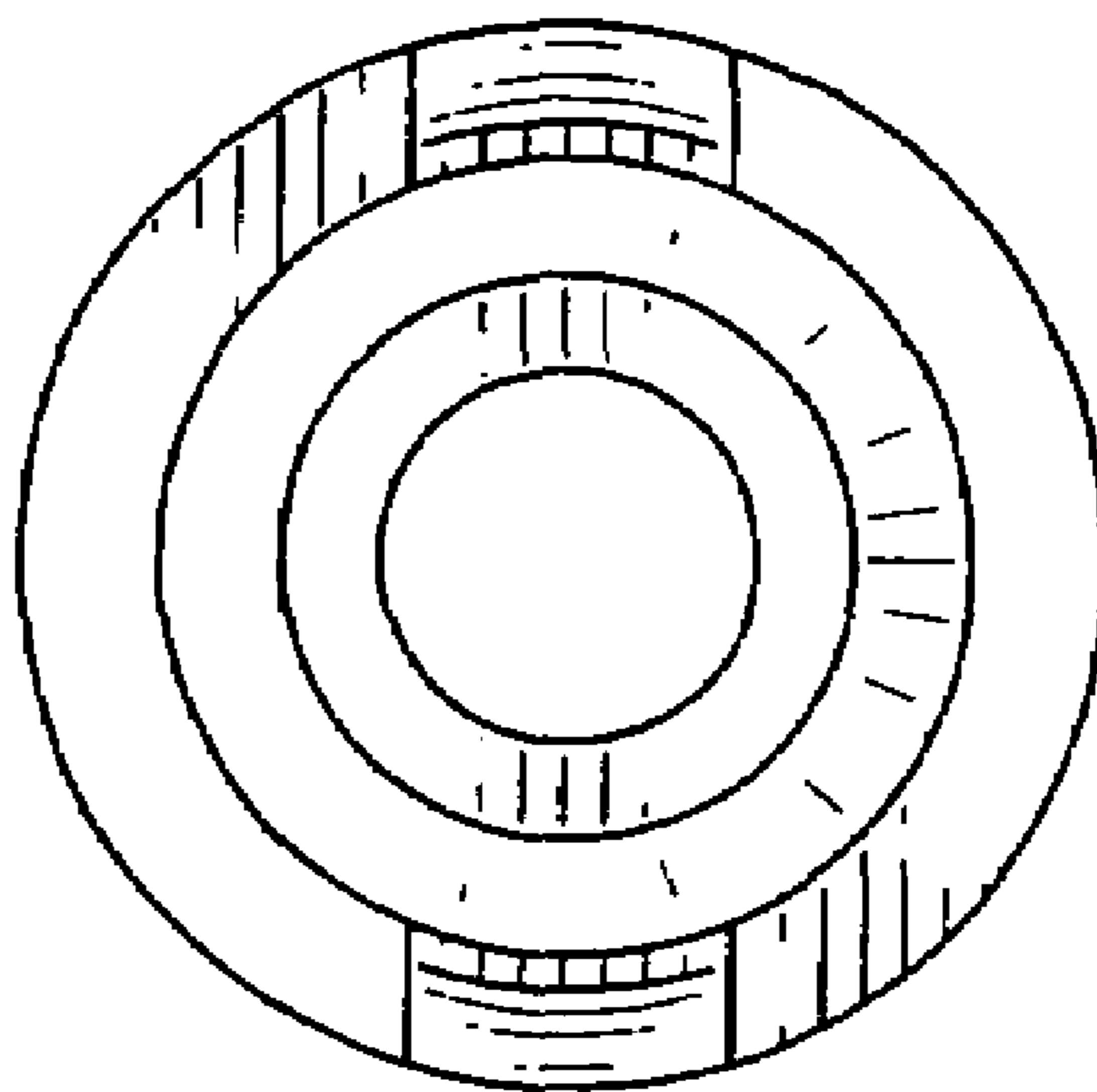


FIG. 5