

US00D568728S

(12) **United States Design Patent** (10) **Patent No.:** **US D568,728 S**  
**Zadak et al.** (45) **Date of Patent:** **\*\* May 13, 2008**

(54) **DISPLAY HANGER**  
(75) Inventors: **Craig Zadak**, Roscoe, IL (US); **Kirk Lewis**, Lee's Summit, MO (US)  
(73) Assignee: **Southern Imperial, Inc.**, Rockford, IL (US)  
(\*\*) Term: **14 Years**  
(21) Appl. No.: **29/297,126**  
(22) Filed: **Nov. 5, 2007**

D492,889 S \* 7/2004 Craine ..... D8/354  
6,951,290 B2 10/2005 Speed  
D551,953 S \* 10/2007 Smalley ..... D8/381  
2006/0011794 A1 1/2006 Zadak et al.

**OTHER PUBLICATIONS**

FFR Yellow Pages, 2004 Product Catalog, 2 pages, cover page of catalog and p. 137.

\* cited by examiner

*Primary Examiner*—Gary D. Watson  
*Assistant Examiner*—Susan Bennett Hattan  
(74) *Attorney, Agent, or Firm*—Reinhart Boerner Van Beuren P.C.

**Related U.S. Application Data**

(63) Continuation of application No. 10/889,936, filed on Jul. 13, 2004.

(51) **LOC (8) Cl.** ..... **08-05**  
(52) **U.S. Cl.** ..... **D8/380**  
(58) **Field of Classification Search** ..... D8/381,  
D8/380, 371, 370, 366, 354; 47/40; 248/313,  
248/274.1, 27.8, 231.41, 228.3, 220.41, 220.31,  
248/208

See application file for complete search history.

(57) **CLAIM**

I claim the ornamental design for a display hanger, as shown and described.

**DESCRIPTION**

FIG. 1 is a perspective view of the display hanger highlighting a circular embossment projecting above a top surface of the display hanger;

FIG. 2 is a top view of the display hanger of FIG. 1;

FIG. 3 is a bottom view of the display hanger of FIG. 1;

FIG. 4 is a back view of the display hanger of FIG. 1;

FIG. 5 is a front view of the of FIG. 1;

FIG. 6 is a side view of the display hanger of FIG. 1; and,

FIG. 7 is a side view of the display hanger of FIG. 1 showing the side opposite that shown in FIG. 6.

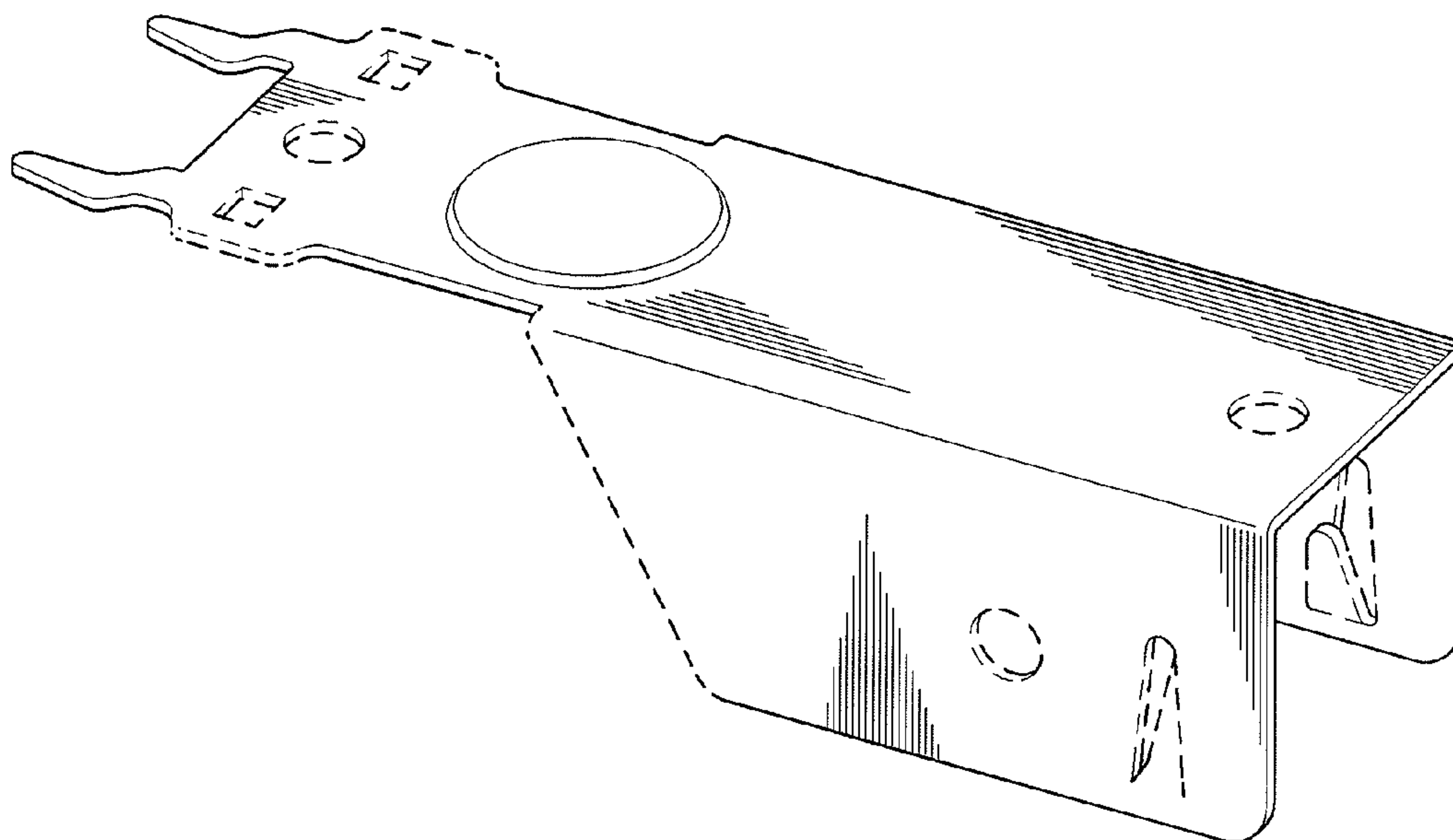
The broken lines in the drawing depict environmental subject matter only and form no part of the claimed design.

(56) **References Cited**

**U.S. PATENT DOCUMENTS**

D226,808 S \* 5/1973 Rollins ..... D8/380  
D260,852 S \* 9/1981 Loeschen ..... D8/381  
D289,605 S \* 5/1987 Lytle ..... D8/381  
4,911,392 A 3/1990 Fast  
5,346,166 A 9/1994 Valiulis  
D361,503 S \* 8/1995 Hubbard ..... D8/354  
5,678,699 A 10/1997 Gebka  
5,722,625 A 3/1998 Kenney  
6,341,755 B1 1/2002 Kump  
D463,251 S \* 9/2002 Shea ..... D8/354

**1 Claim, 4 Drawing Sheets**



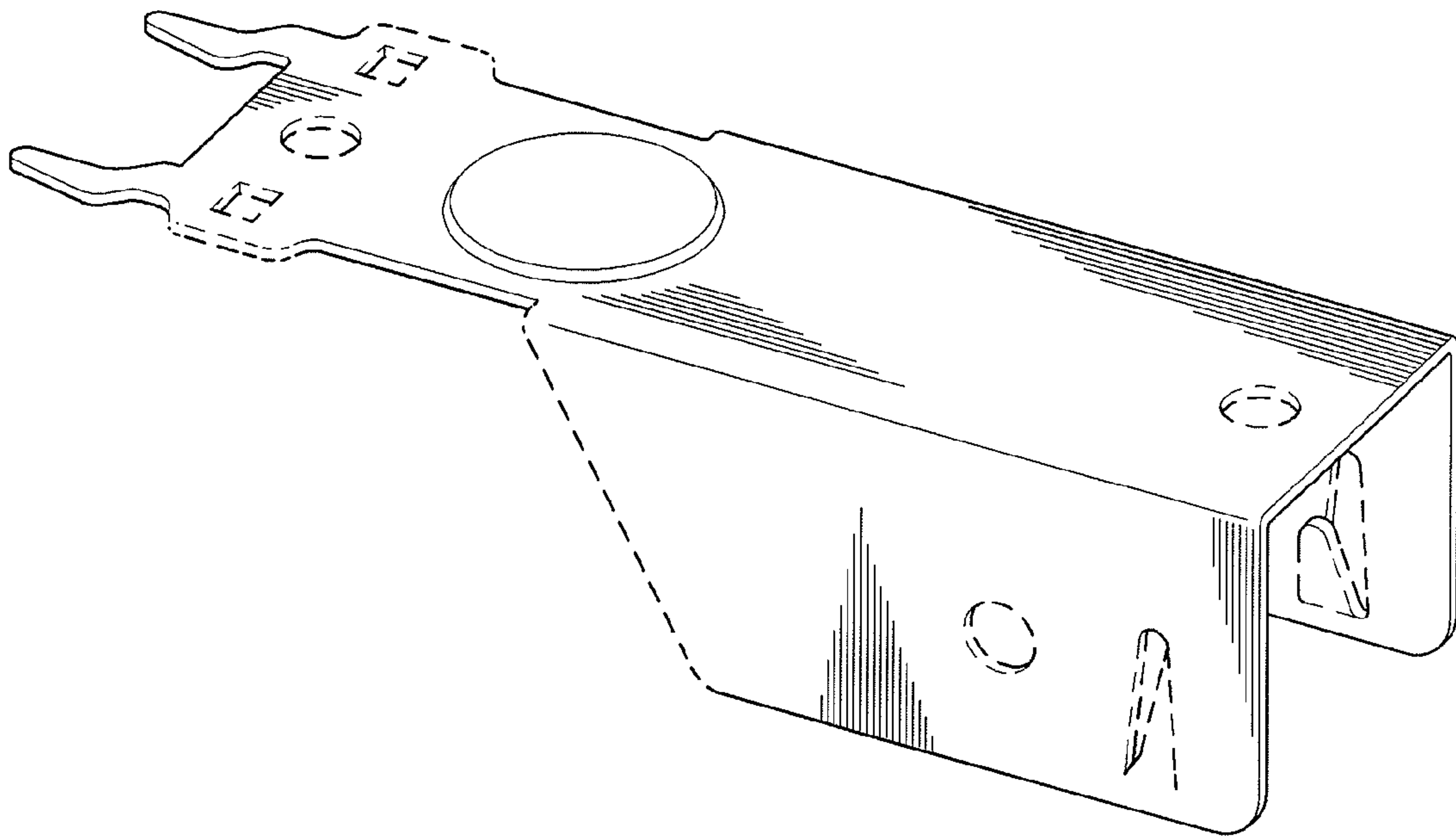


FIG. 1

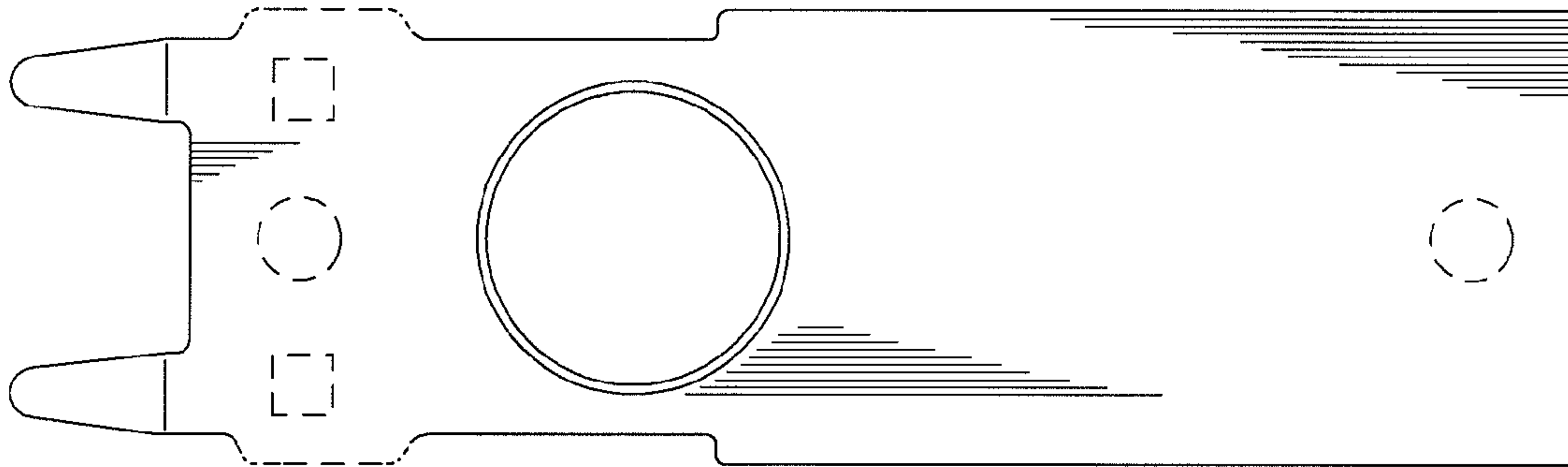


FIG. 2

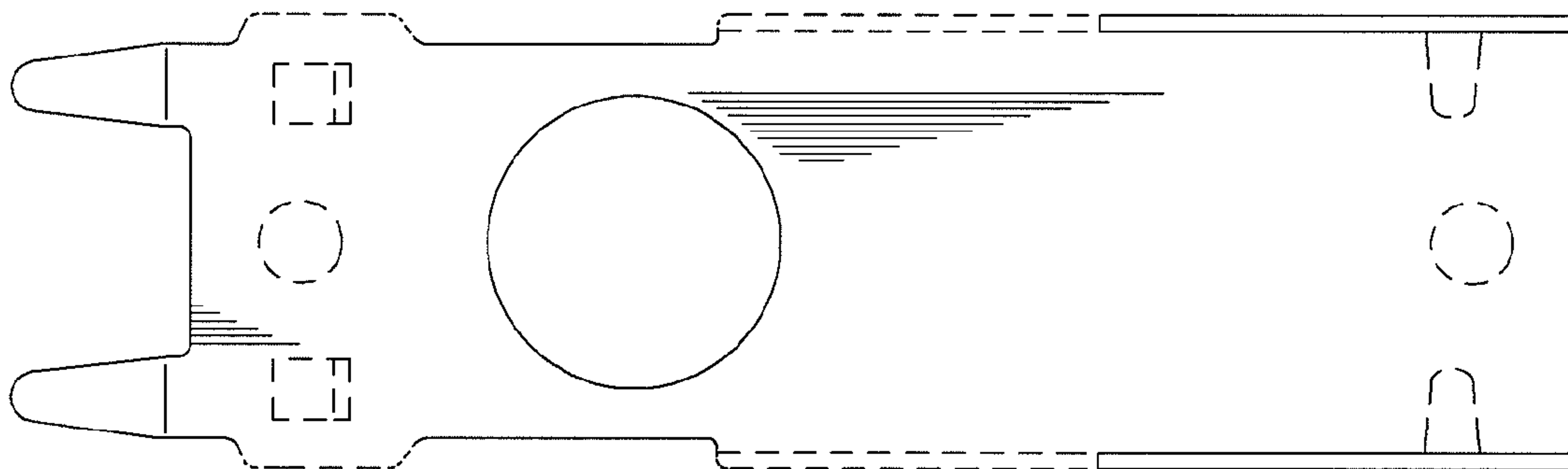


FIG. 3

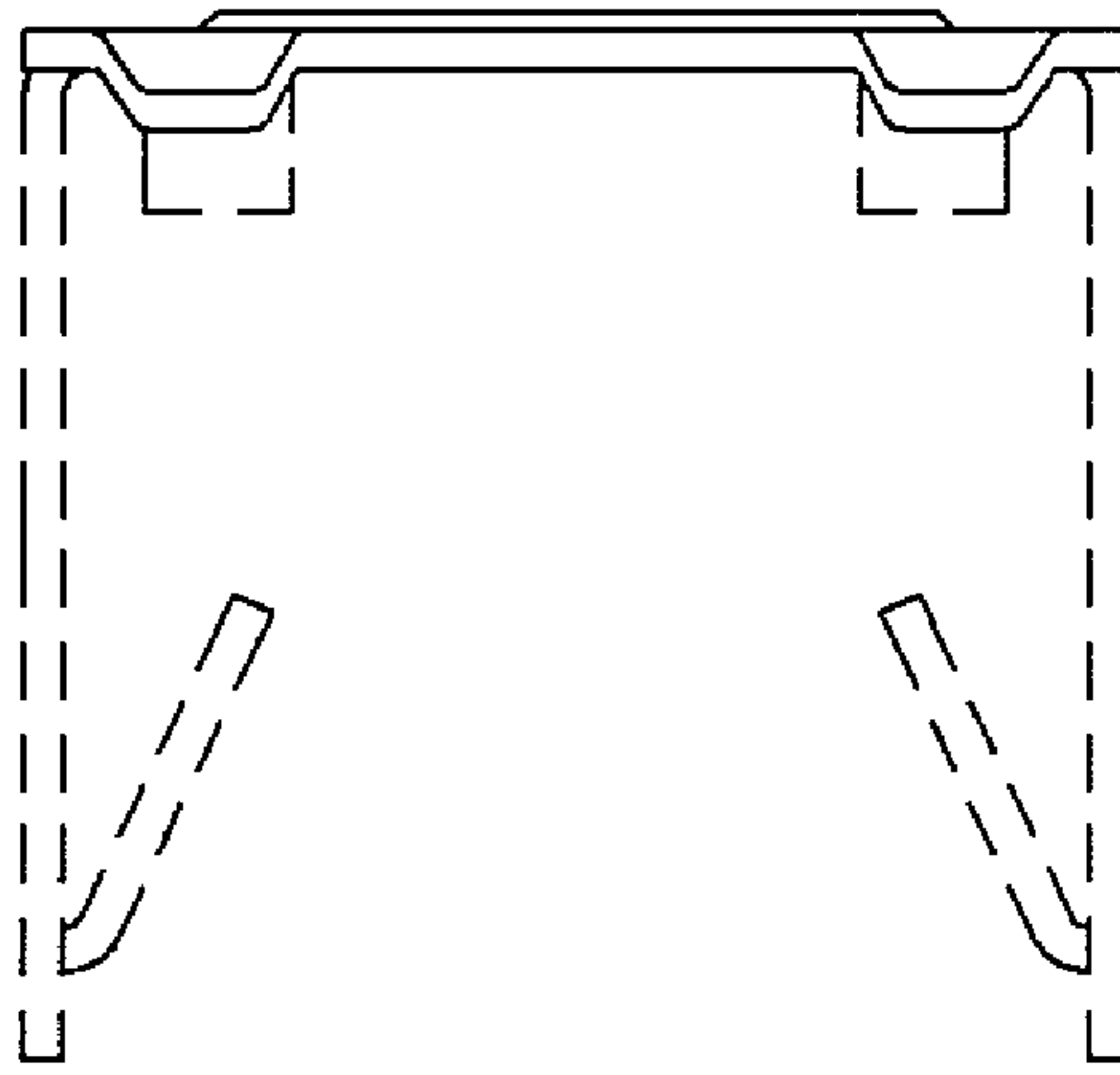


FIG. 4

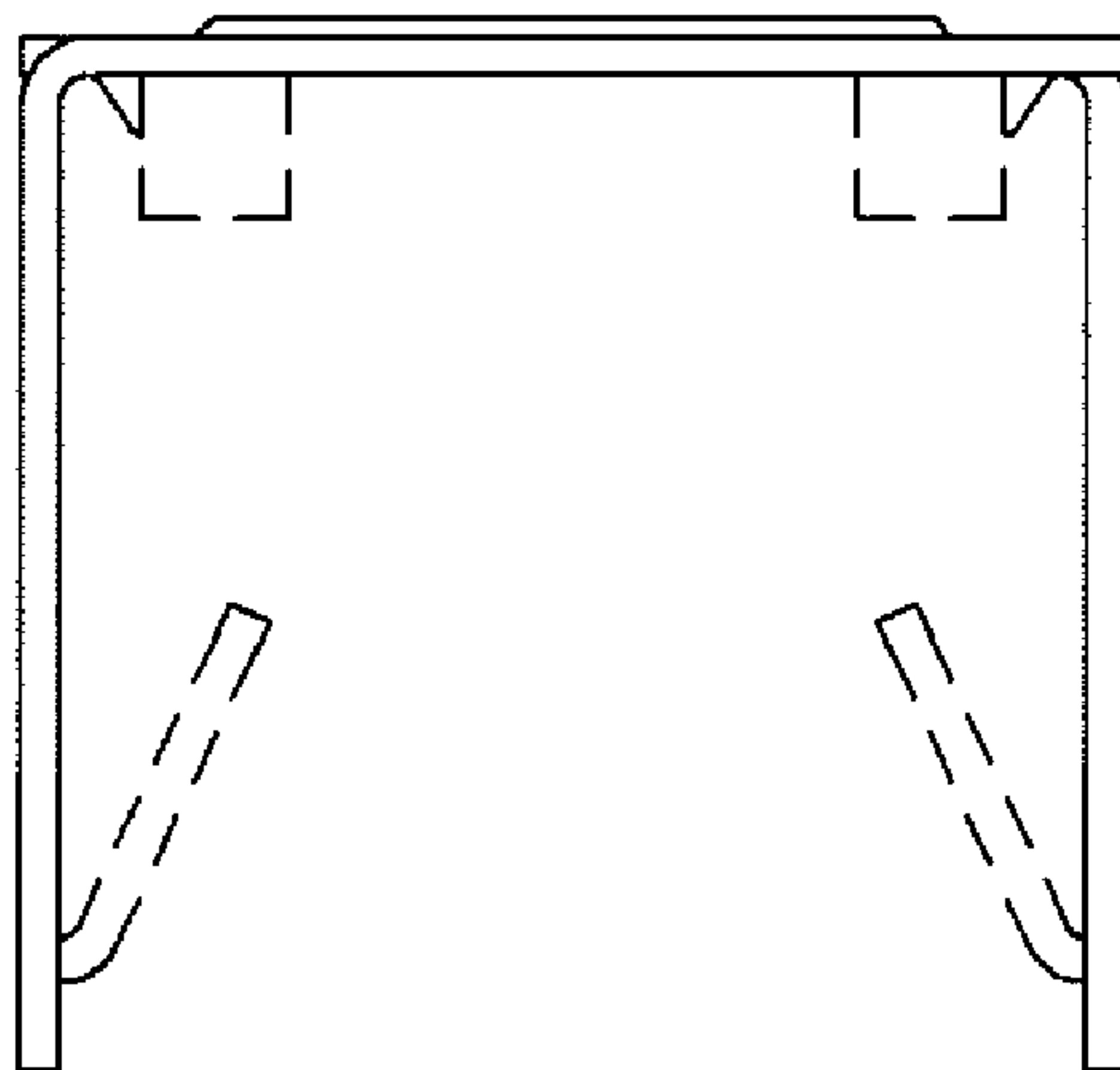


FIG. 5

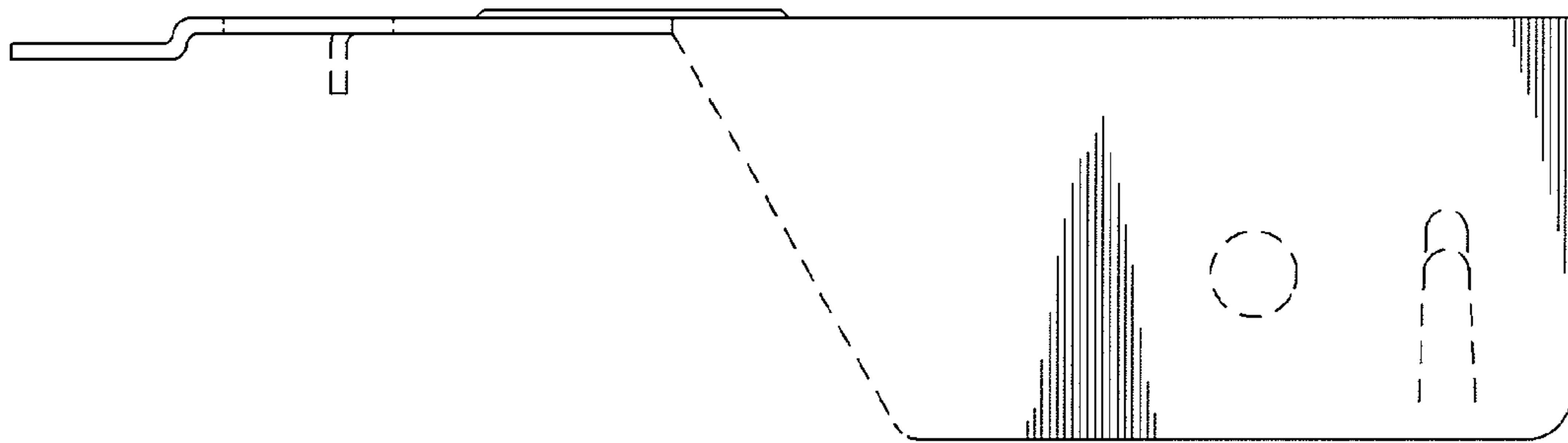


FIG. 6

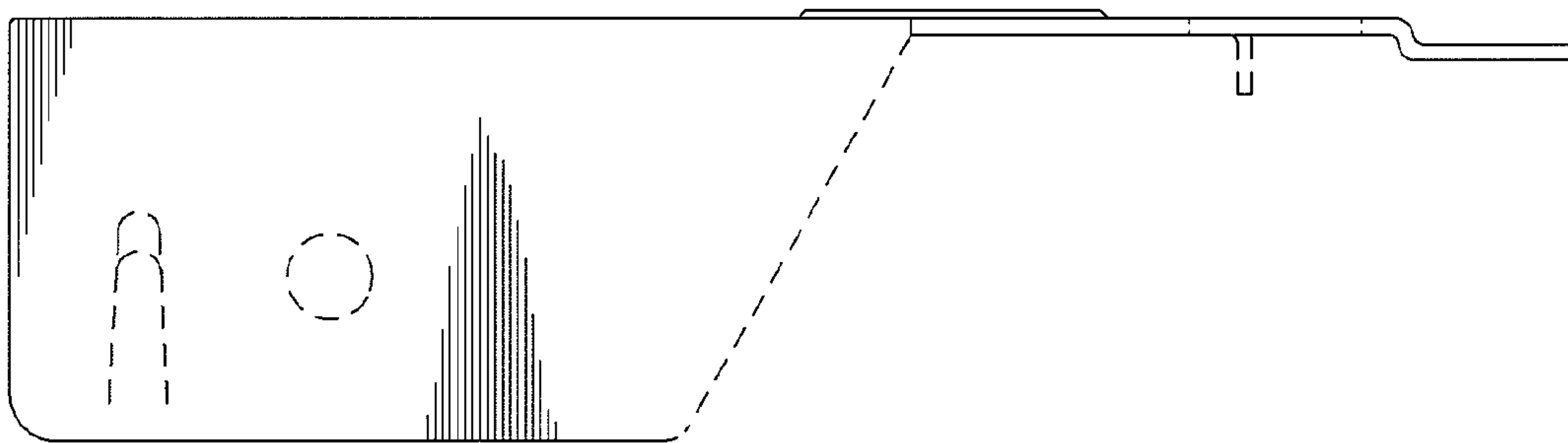


FIG. 7