



US00D568727S

(12) **United States Design Patent** (10) **Patent No.:** **US D568,727 S**
Walker et al. (45) **Date of Patent:** **** May 13, 2008**

(54) **ADJUSTABLE PLANT BOX RAILING BRACKET**

AU 103831 S 5/1989
CA 97345 12/2002

(75) Inventors: **Simon Walker**, Surrey (CA); **Mark Hopkinson**, Vancouver (CA); **Jianzhong Zhu**, Suzhou (CN); **Wei Min (Karen) Zhu**, Surrey (CA)

Primary Examiner—Gary D. Watson
Assistant Examiner—Susan Bennett Hattan
(74) *Attorney, Agent, or Firm*—Mark Hopkinson

(73) Assignee: **Peak Innovations Inc.**, Richmond, British Columbia

(57) **CLAIM**

The ornamental design for an adjustable plant box railing bracket, as shown and described.

(**) Term: **14 Years**

(21) Appl. No.: **29/277,008**

DESCRIPTION

(22) Filed: **Feb. 9, 2007**

(30) **Foreign Application Priority Data**

Aug. 14, 2006 (CA) 117024

(51) **LOC (8) Cl.** **08-05**

(52) **U.S. Cl.** **D8/380**

(58) **Field of Classification Search** D8/381, D8/380, 373, 371, 370, 366, 354; 47/40; 248/313, 274.1, 27.8, 231.41, 228.3, 220.41, 248/220.31, 208, 311.2, 217.1, 302, 153; D12/317; D30/121, 119; D6/566
See application file for complete search history.

FIG. 1 is a left side view of a first variant of an adjustable plant box railing bracket;
FIG. 2 is a top view of the first variant of the design;
FIG. 3 is a bottom view of the first variant of the design;
FIG. 4 is a right side view of the first variant of the design;
FIG. 5 is a front side view of the first variant of the design;
FIG. 6 is a rear side view of the first variant of the design;
FIG. 7 is a perspective view of the first variant of the design;
FIG. 8 is a perspective view of the first variant of the design depicted with environmental subject matter;
FIG. 9 is a left side view of a second variant of the design;
FIG. 10 is a top view of the second variant of the design;
FIG. 11 is a bottom view of the second variant of the design;
FIG. 12 is a right side view of the second variant of the design;
FIG. 13 is a front side view of the second variant of the design;
FIG. 14 is a rear side view of the second variant of the design; and,
FIG. 15 is a perspective view of the second variant of the design.

(56) **References Cited**

U.S. PATENT DOCUMENTS

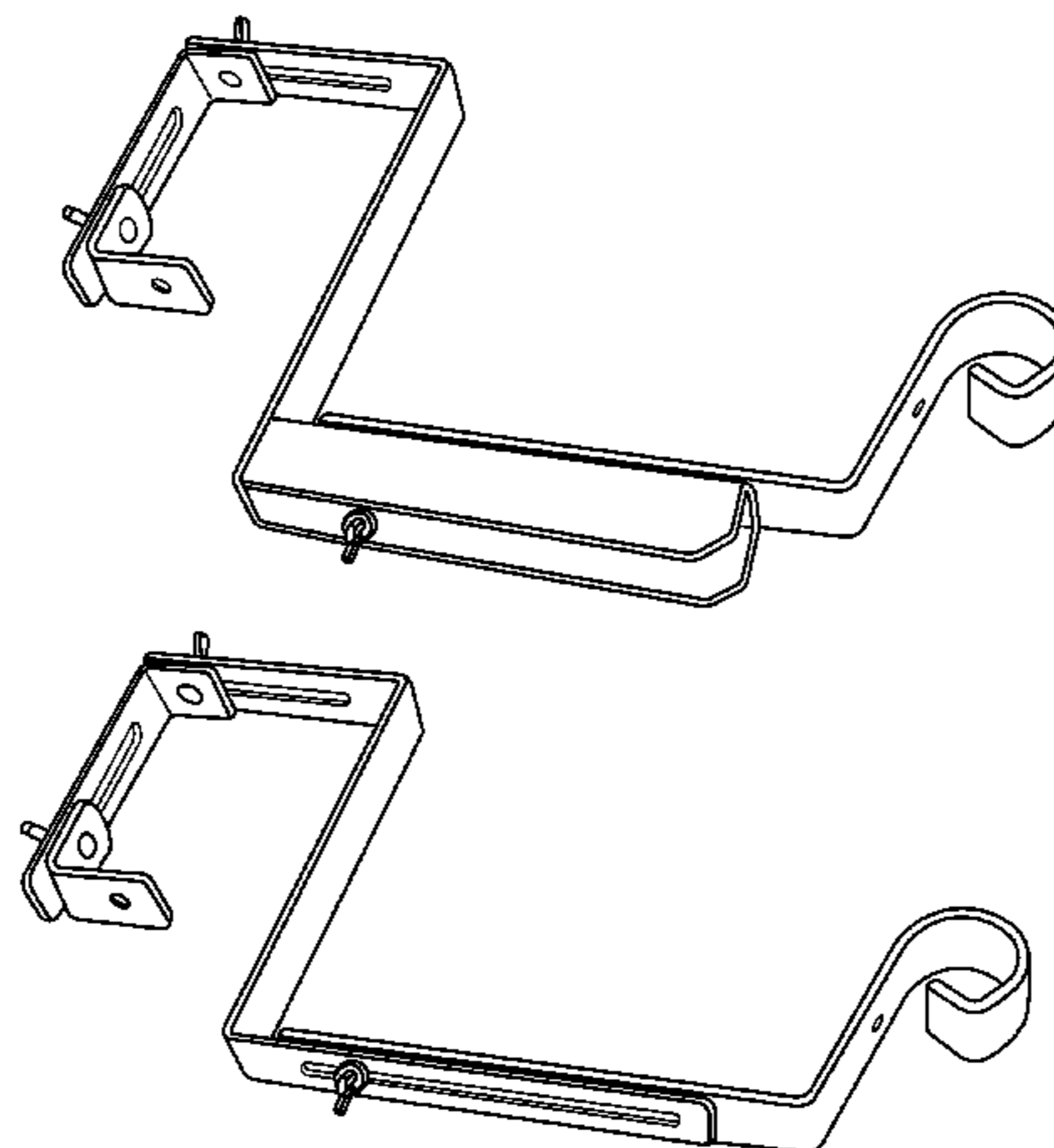
D70,831 S * 8/1926 Dlouhy D8/381
D156,394 S * 12/1949 Yohey D6/566
4,059,248 A 11/1977 Kuntz
D290,931 S * 7/1987 Powell D8/380
D305,299 S * 1/1990 Freeman D8/371
D310,018 S * 8/1990 Landrum D8/373
5,240,214 A 8/1993 Birnbaum et al.
5,368,267 A 11/1994 Howard
5,456,451 A 10/1995 Eyer, Jr.

(Continued)

FOREIGN PATENT DOCUMENTS

AU 092705 S 7/1986

1 Claim, 7 Drawing Sheets



US D568,727 S

Page 2

U.S. PATENT DOCUMENTS

D365,015 S *	12/1995	Avinger	D8/373	D459,978 S *	7/2002	Hollinger	D8/366
5,638,917 A	6/1997	Vennen		D494,050 S *	8/2004	Klein et al.	D8/373
6,168,125 B1	1/2001	Winger et al.		D494,454 S *	8/2004	Klein et al.	D8/373
				D541,636 S *	5/2007	Walker et al.	D8/373

* cited by examiner

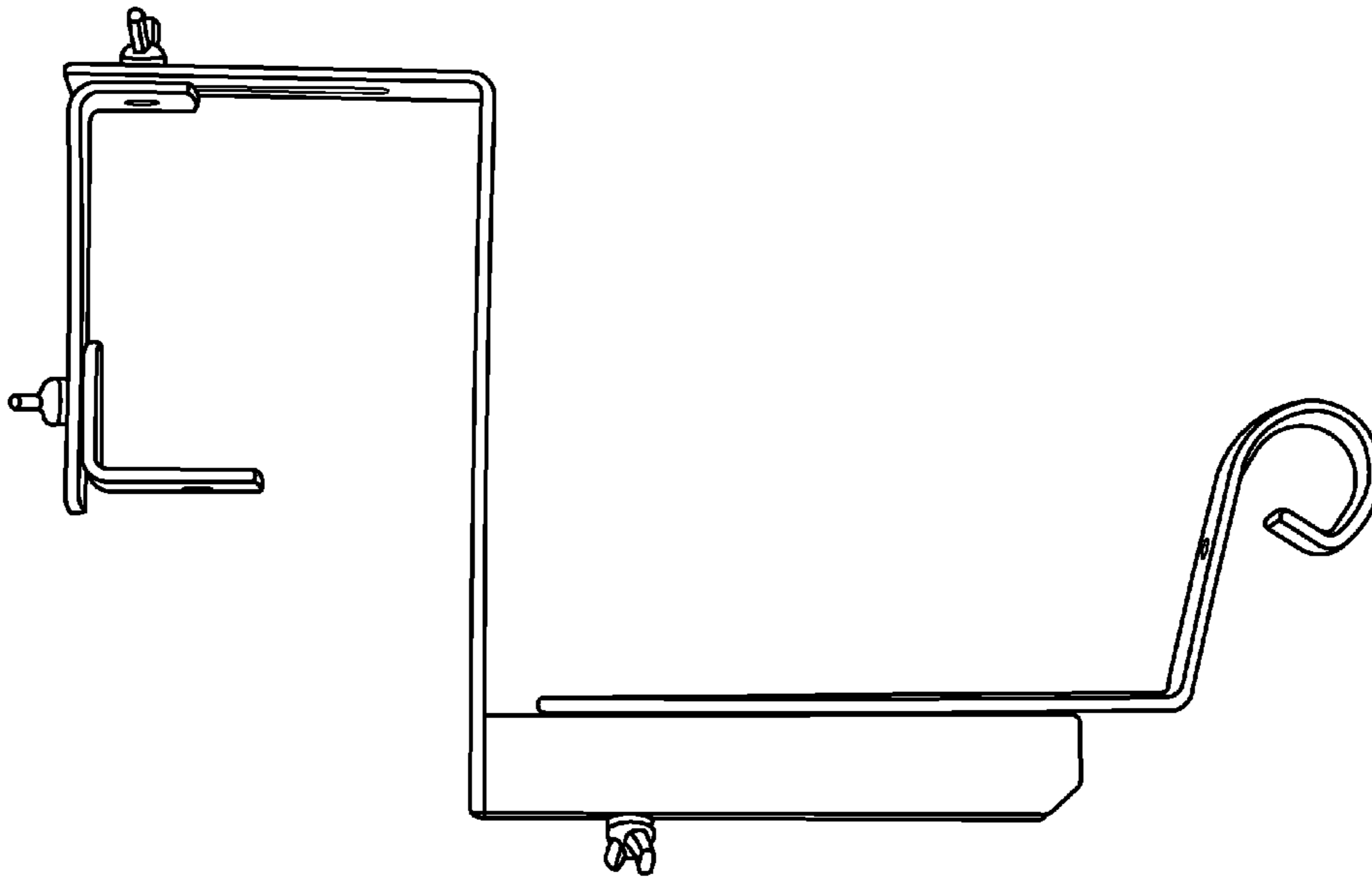


Fig. 1

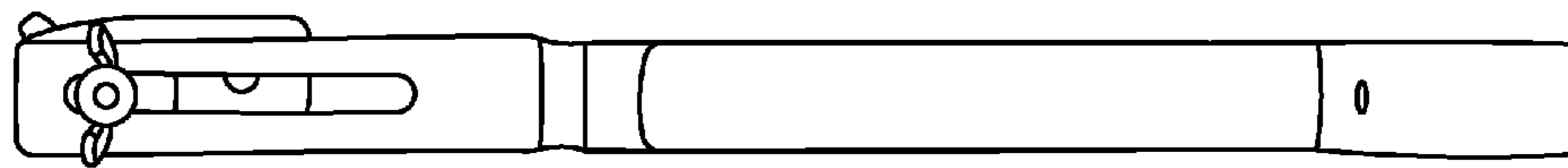


Fig. 2

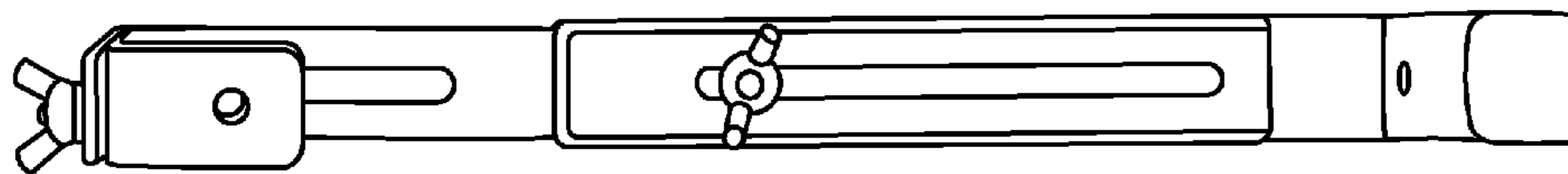


Fig. 3

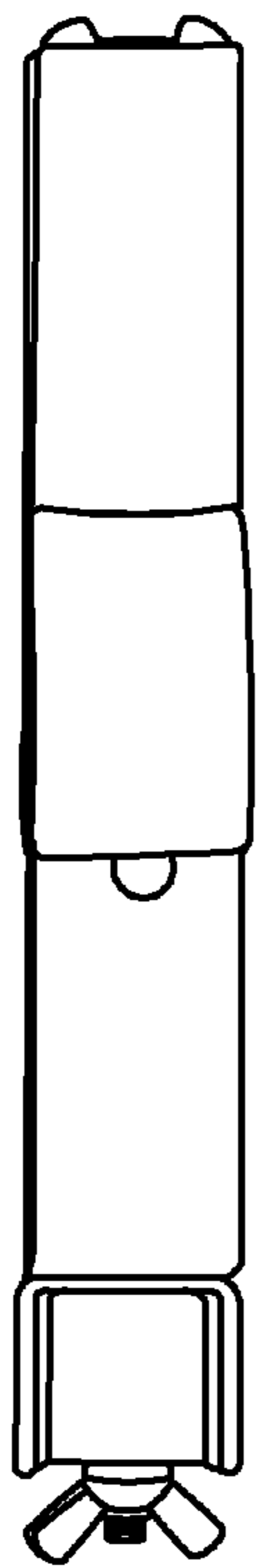
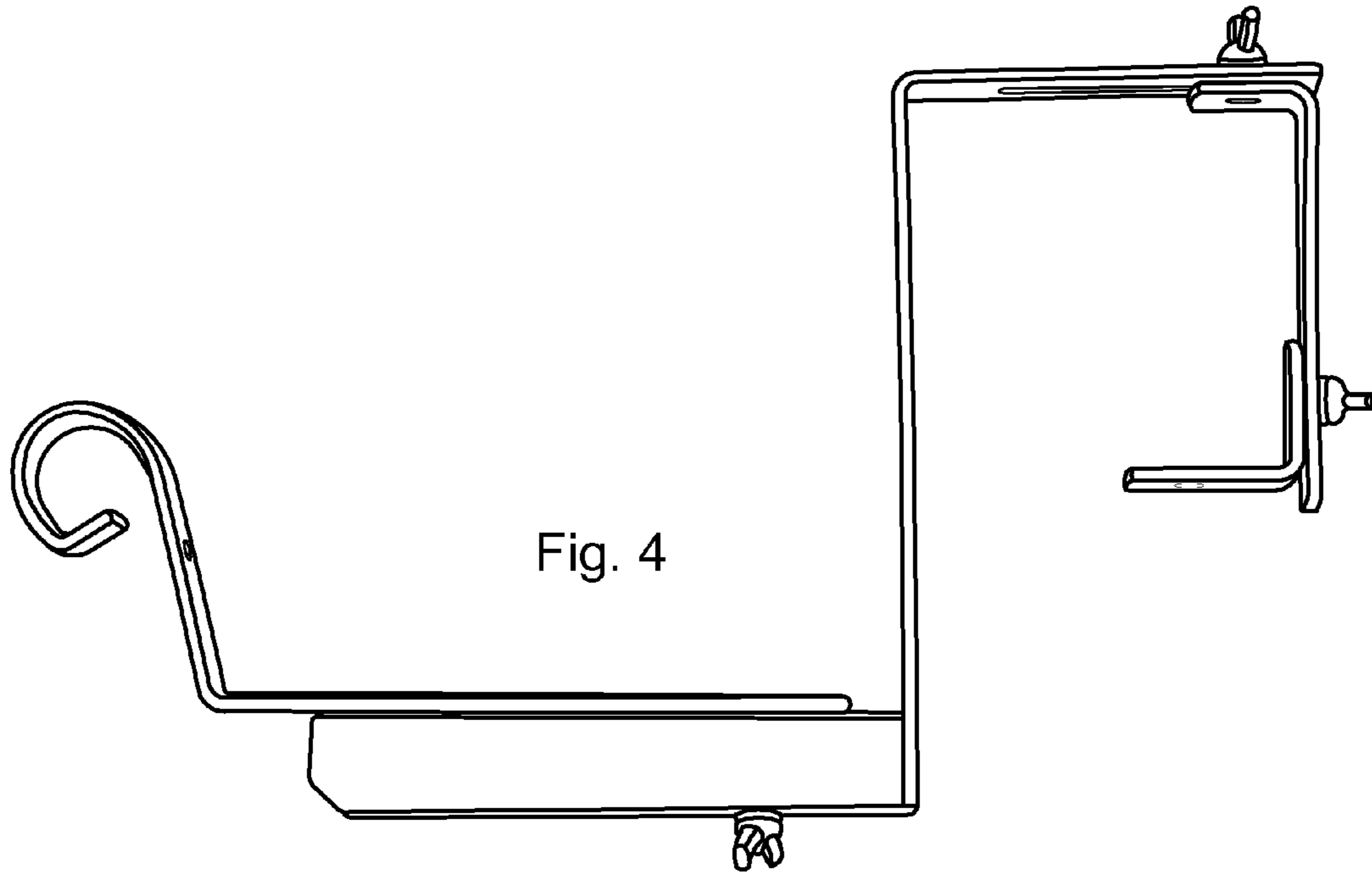


Fig. 5

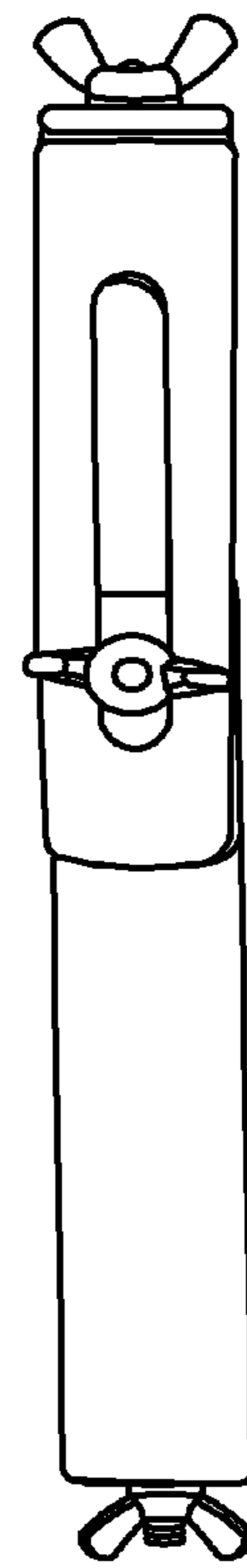


Fig. 6

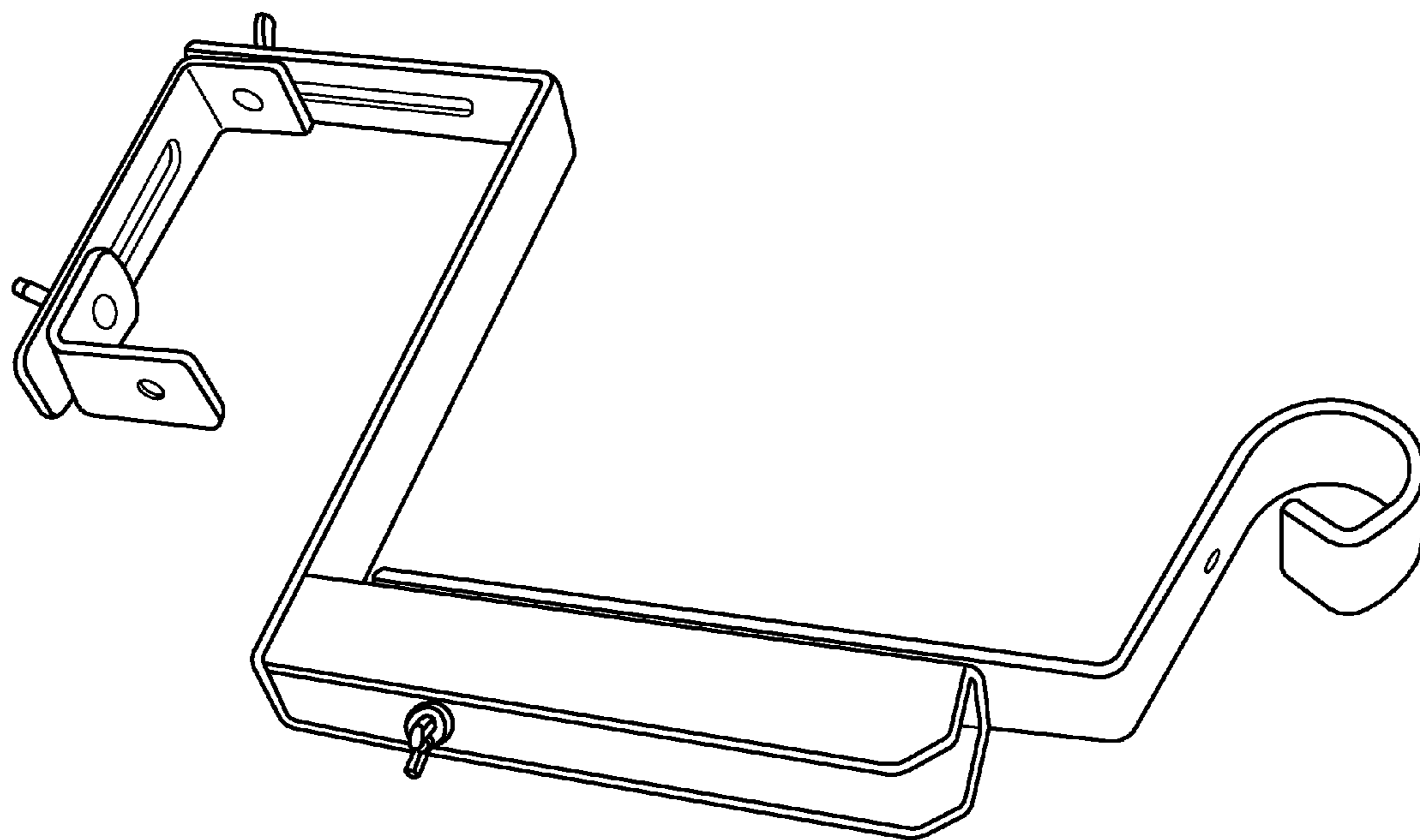


Fig. 7

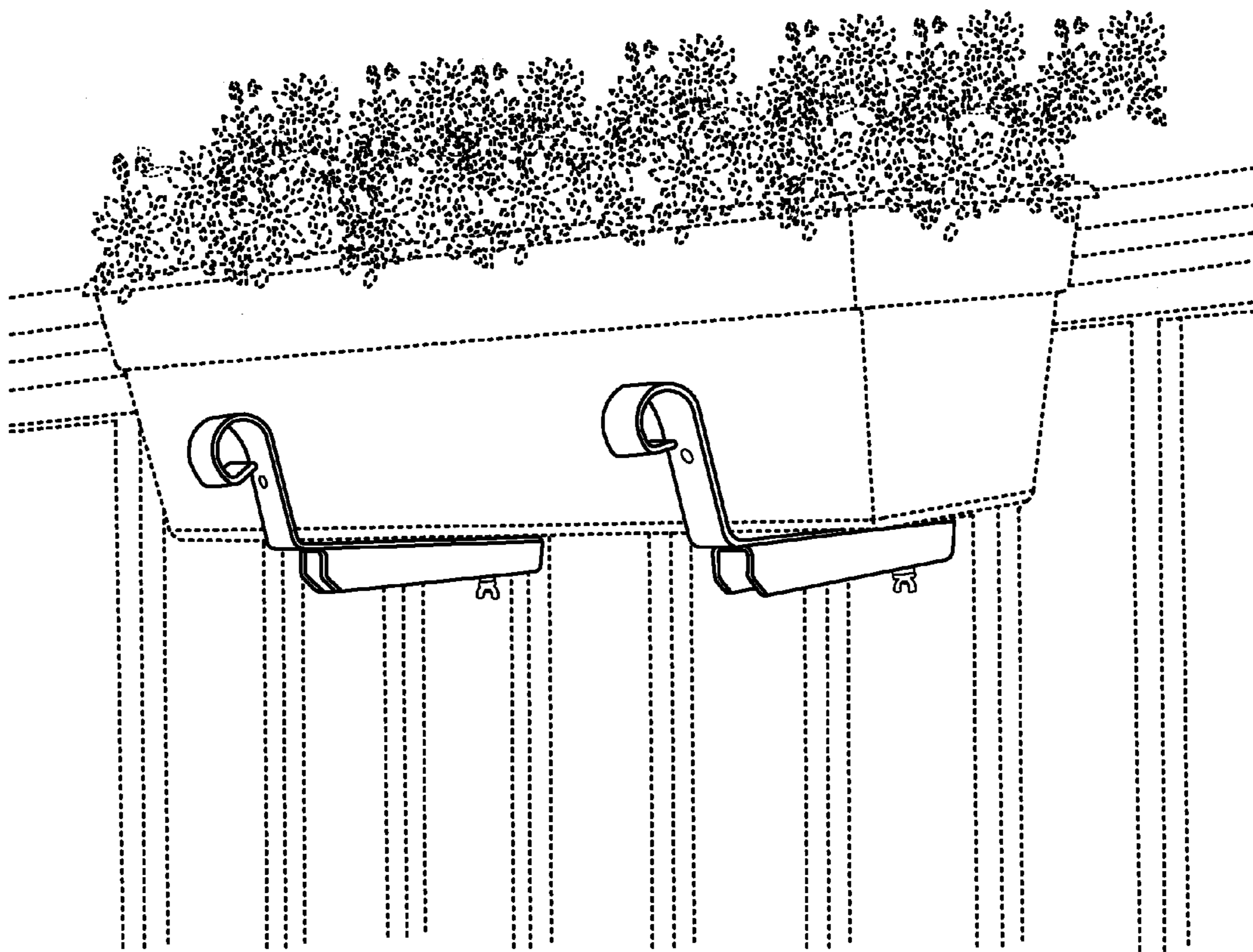


Fig. 8

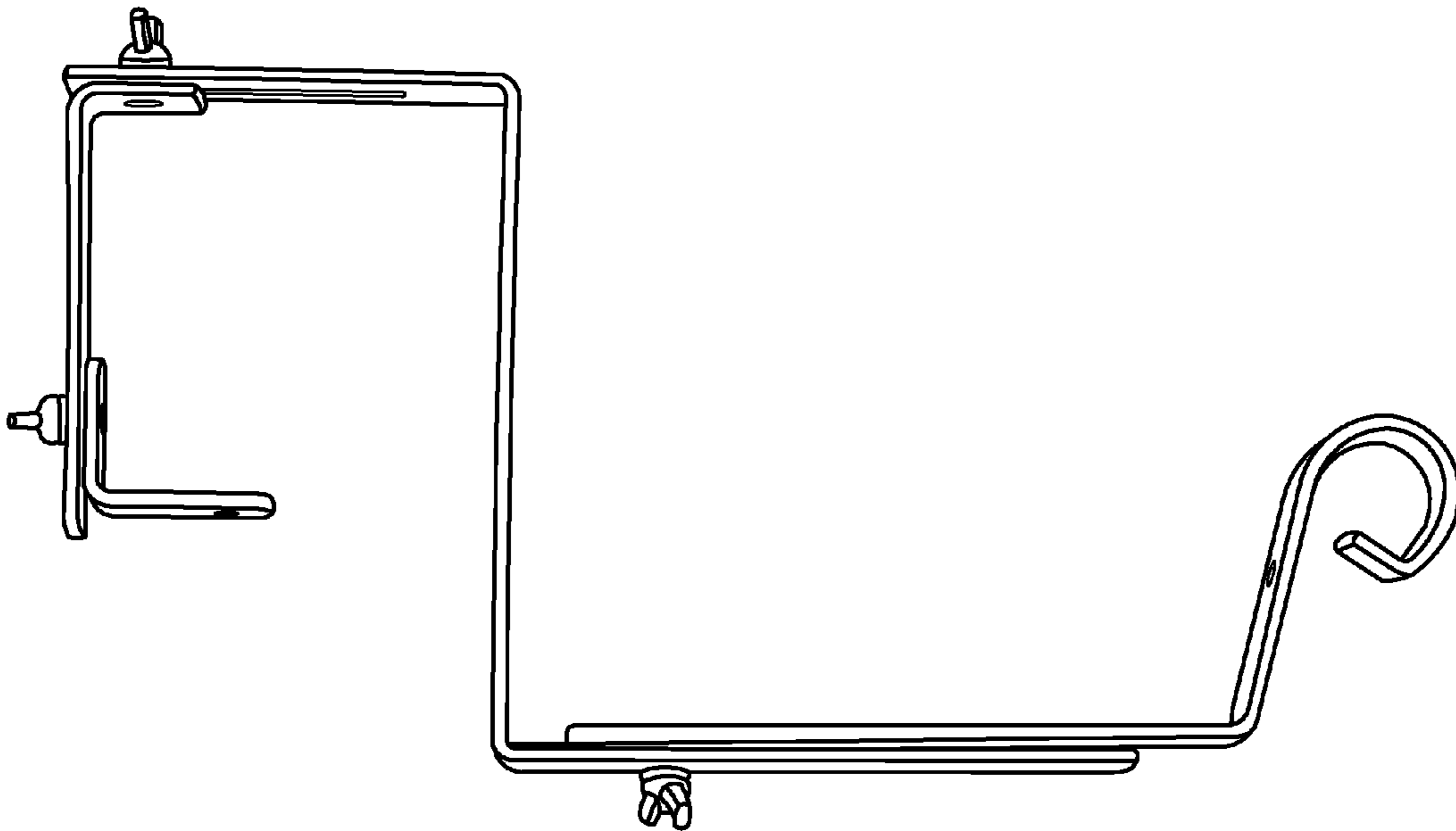


Fig. 9

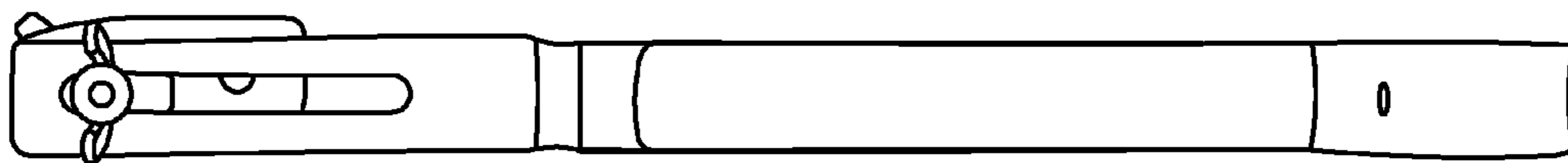


Fig. 10

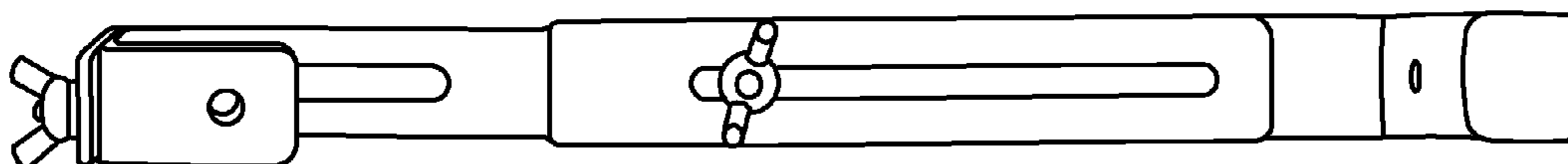


Fig. 11

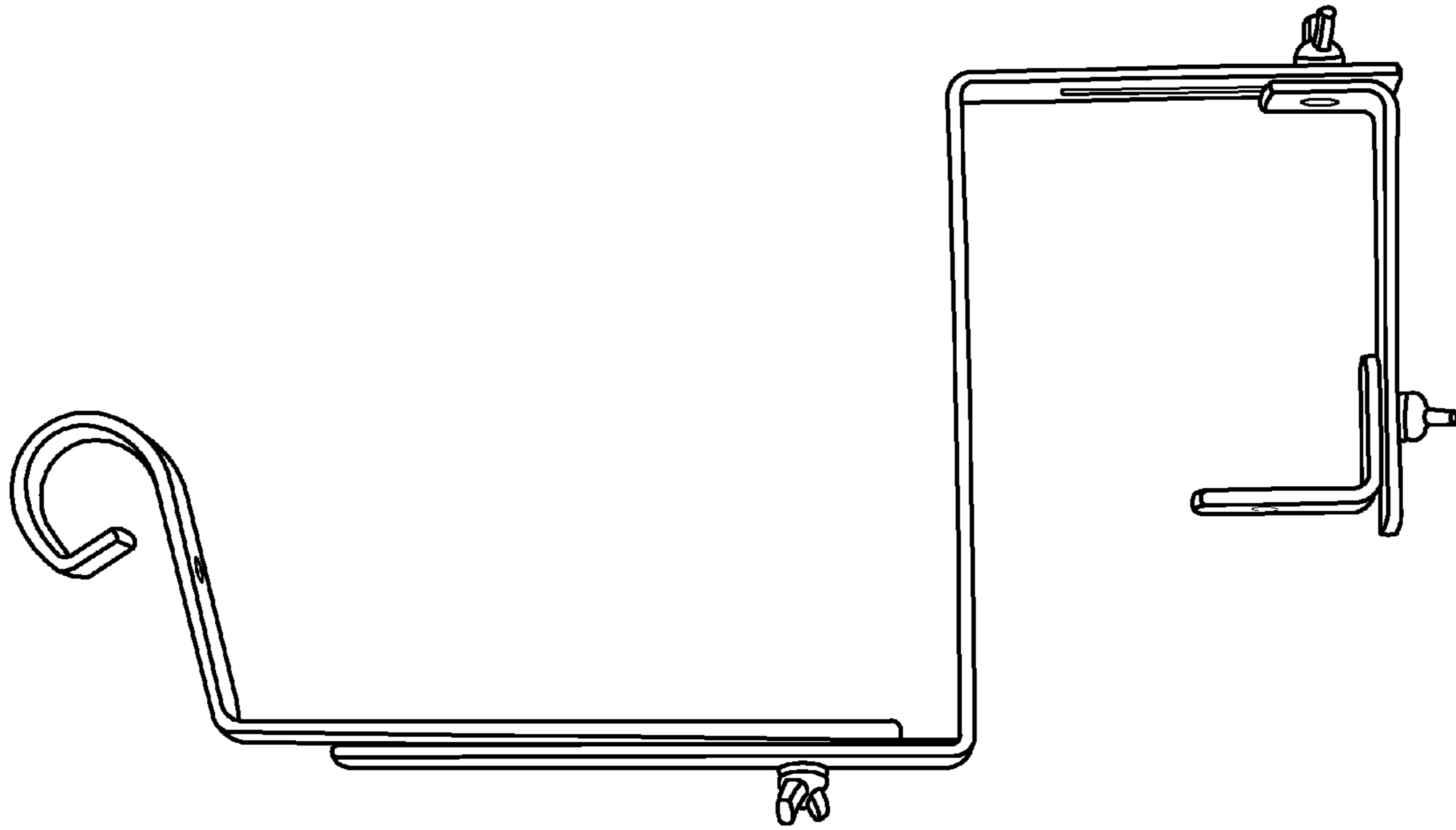


Fig. 12

Fig. 13

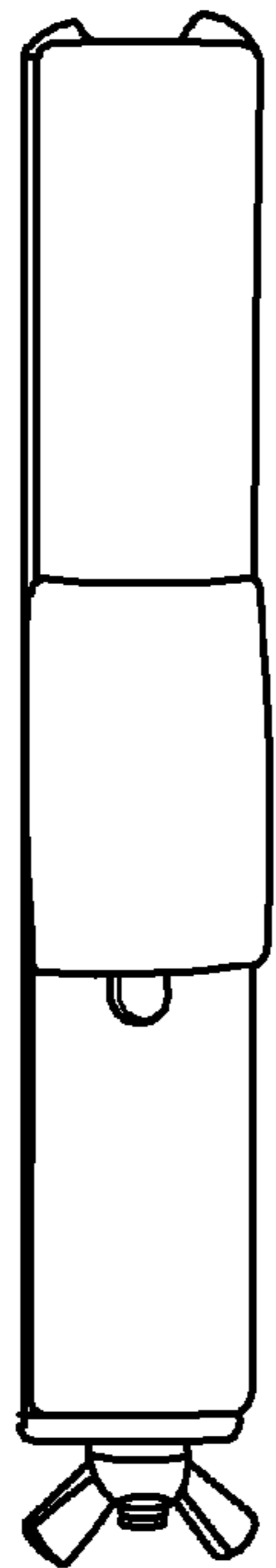
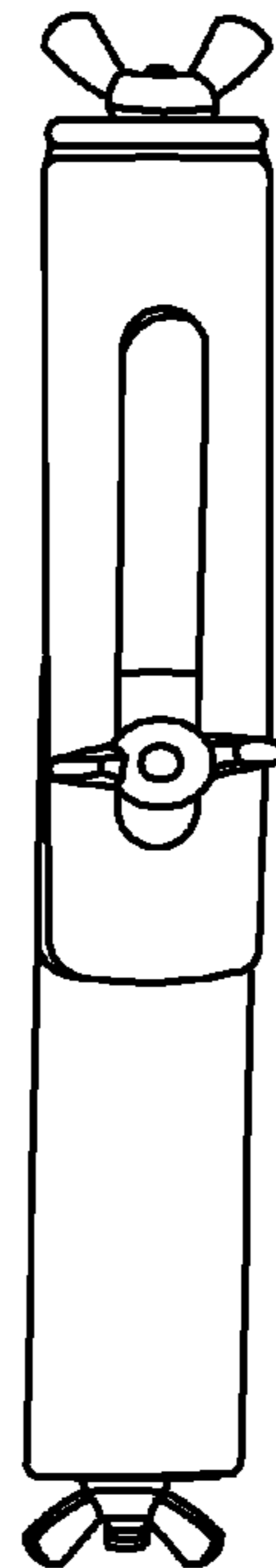


Fig. 14



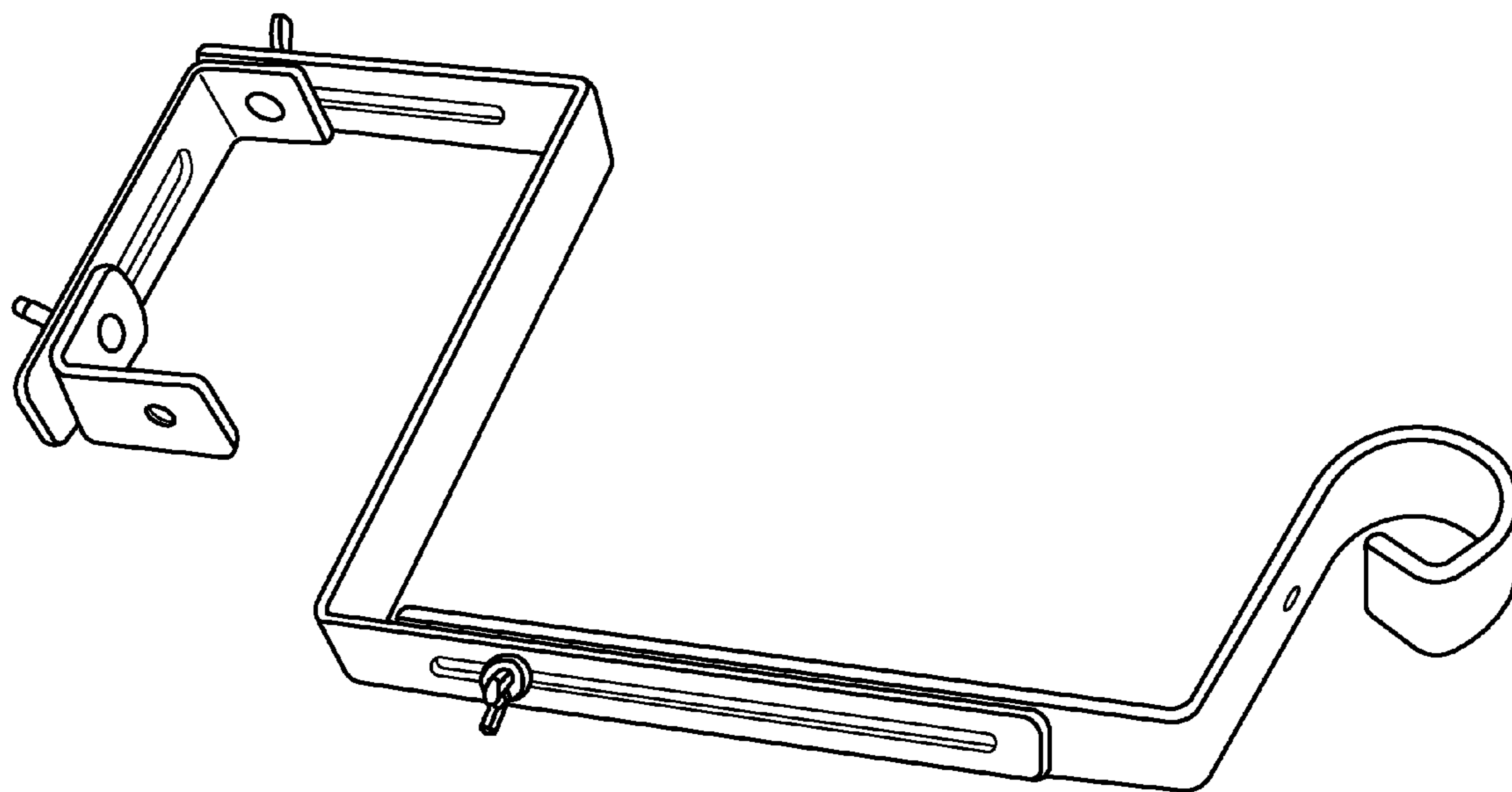


Fig. 15