

US00D568726S

(12) **United States Design Patent**
Kohagen

(10) **Patent No.:** **US D568,726 S**

(45) **Date of Patent:** **** May 13, 2008**

(54) **CASTER**

D538,729 S * 3/2007 Pfeiffer D12/209
D538,730 S * 3/2007 Thurner D12/209
D541,047 S * 4/2007 Moon D3/318

(75) Inventor: **Steven Frederick Kohagen**, Waverly,
IA (US)

* cited by examiner

(73) Assignee: **Waterloo Industries, Inc.**, Waterloo, IA
(US)

Primary Examiner—Gary D. Watson

Assistant Examiner—Susan B Hattan

(**) Term: **14 Years**

(74) *Attorney, Agent, or Firm*—Calfee, Halter & Griswold
LLP

(21) Appl. No.: **29/279,819**

(57) **CLAIM**

(22) Filed: **May 8, 2007**

The ornamental design for a caster, as shown and described.

(51) **LOC (8) Cl.** **08-05**

(52) **U.S. Cl.** **D8/375**

(58) **Field of Classification Search** D8/375;
D34/27; D3/318; D12/501, 209, 208, 207;
188/1.12; 16/47, 46, 45, 35 R, 35 D, 31 R,
16/29, 22, 18 R, 18 CG

See application file for complete search history.

DESCRIPTION

FIG. 1 is a perspective view of a caster of the new design;
FIG. 2 is a front elevational view of the caster of FIG. 1, the
opposing rear elevational view being an exact mirror image
thereof;

FIG. 3 is a left side elevational view of the caster of FIG. 1;
FIG. 4 is a right side elevational view of the caster of FIG.
1;

FIG. 5 is a top plan view of the caster of FIG. 1; and,

FIG. 6 is a bottom plan view of the caster of FIG. 1.

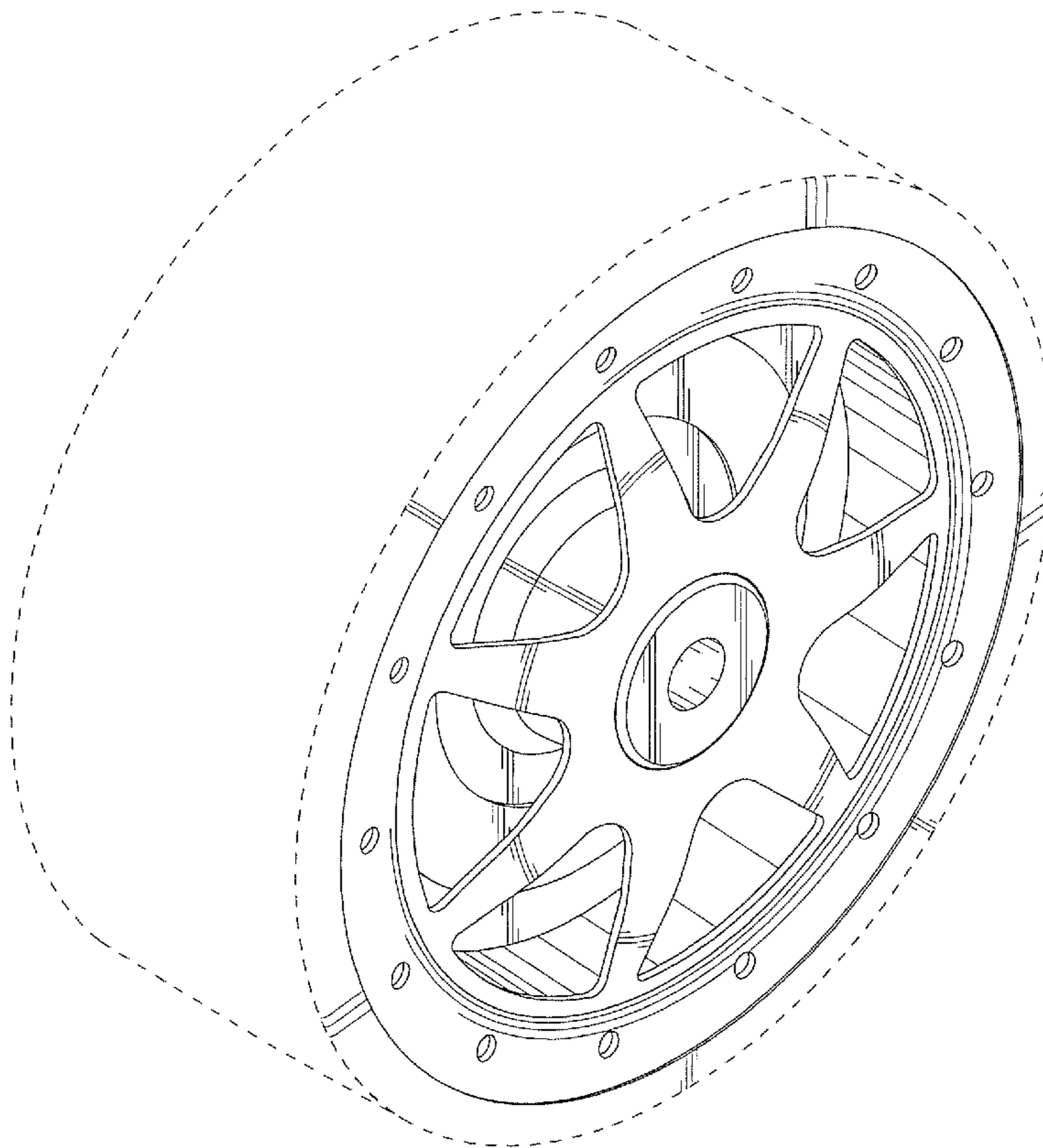
The portions of the Figures shown in broken lines are not
part of the claimed design and are for illustration only.

(56) **References Cited**

U.S. PATENT DOCUMENTS

D471,144 S * 3/2003 Pfeiffer D12/209
D496,259 S * 9/2004 Cheng D8/375
D522,753 S * 6/2006 Moon D3/318
D525,033 S * 7/2006 Neumann D3/318
D527,326 S * 8/2006 Pfeiffer D12/209
D530,251 S * 10/2006 Gabath D12/209

1 Claim, 4 Drawing Sheets



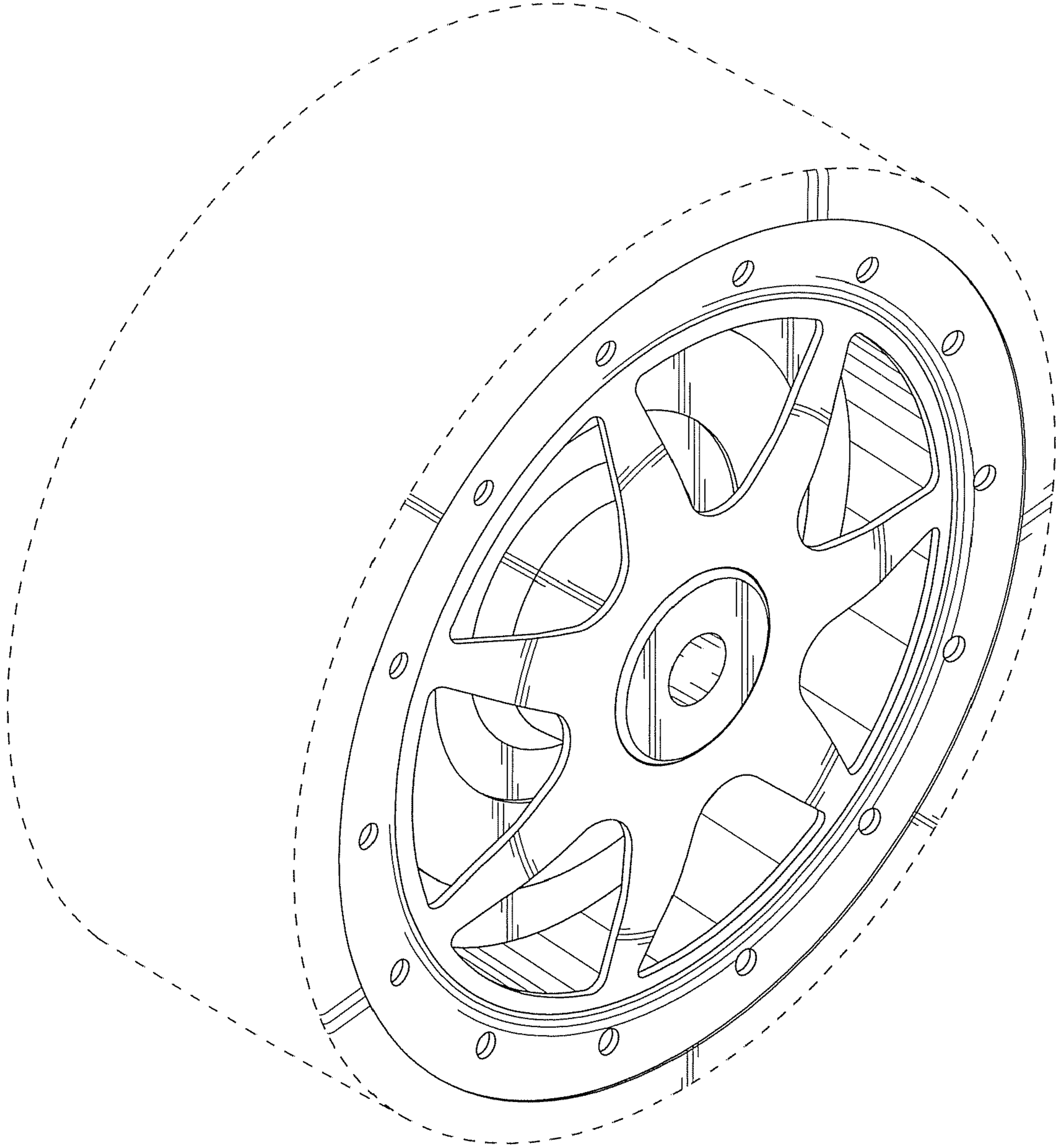


FIG. 1

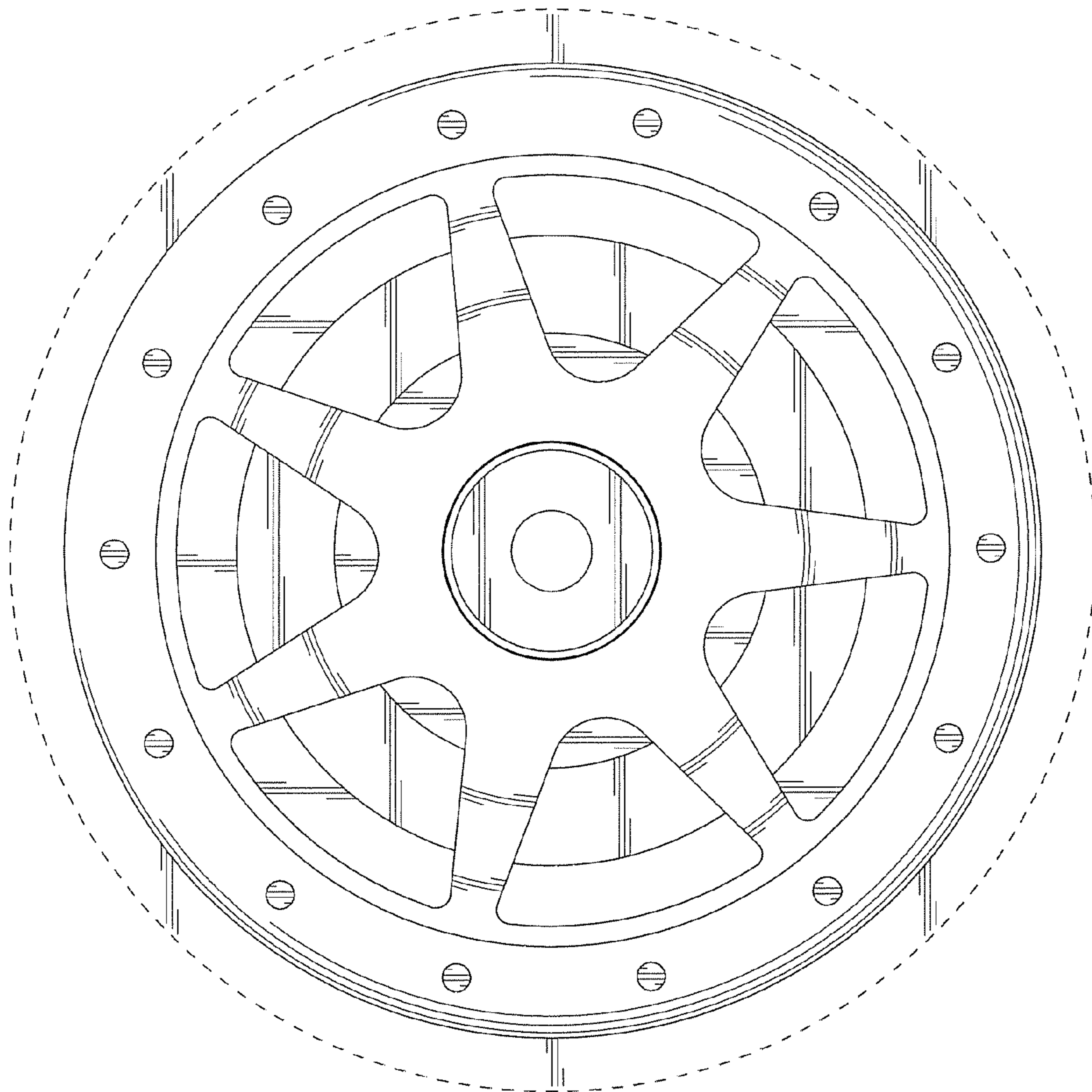


FIG. 2

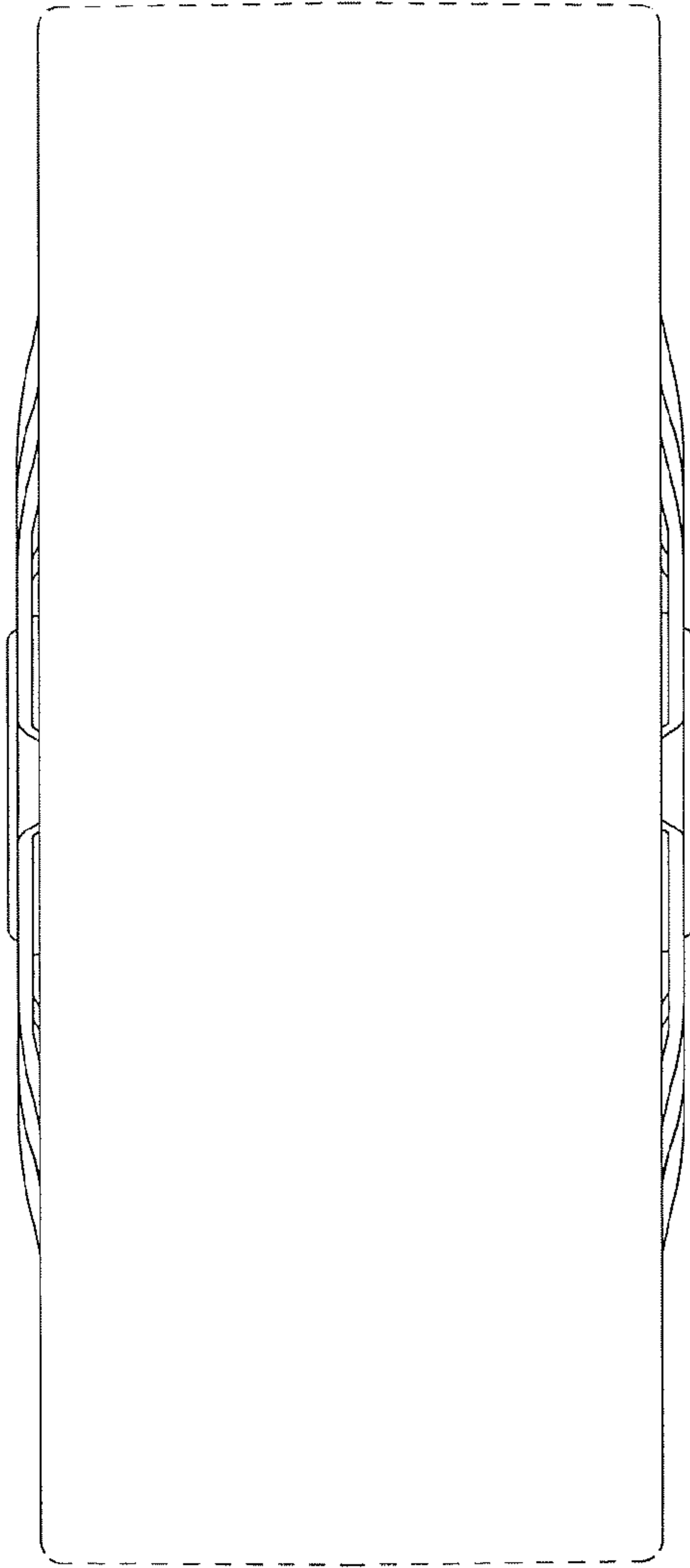


FIG. 3

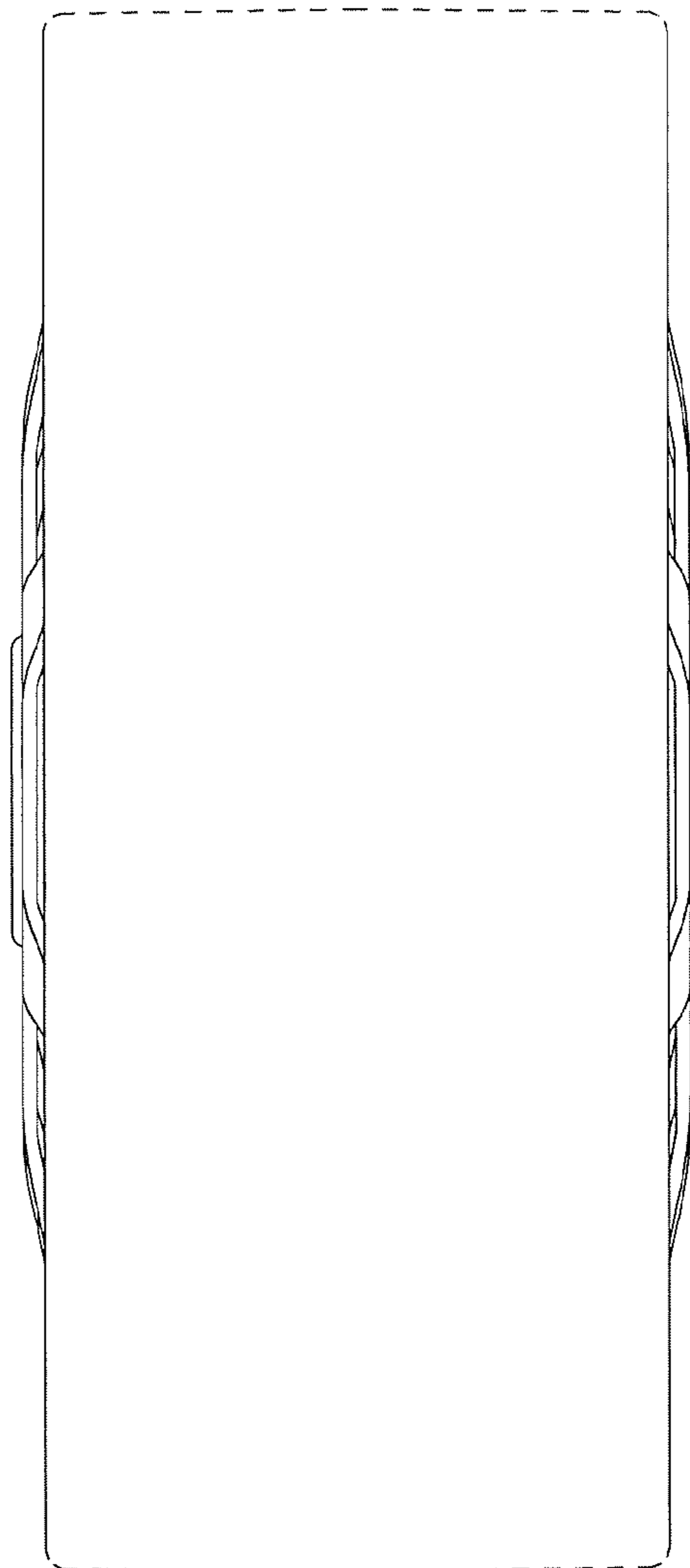


FIG. 4

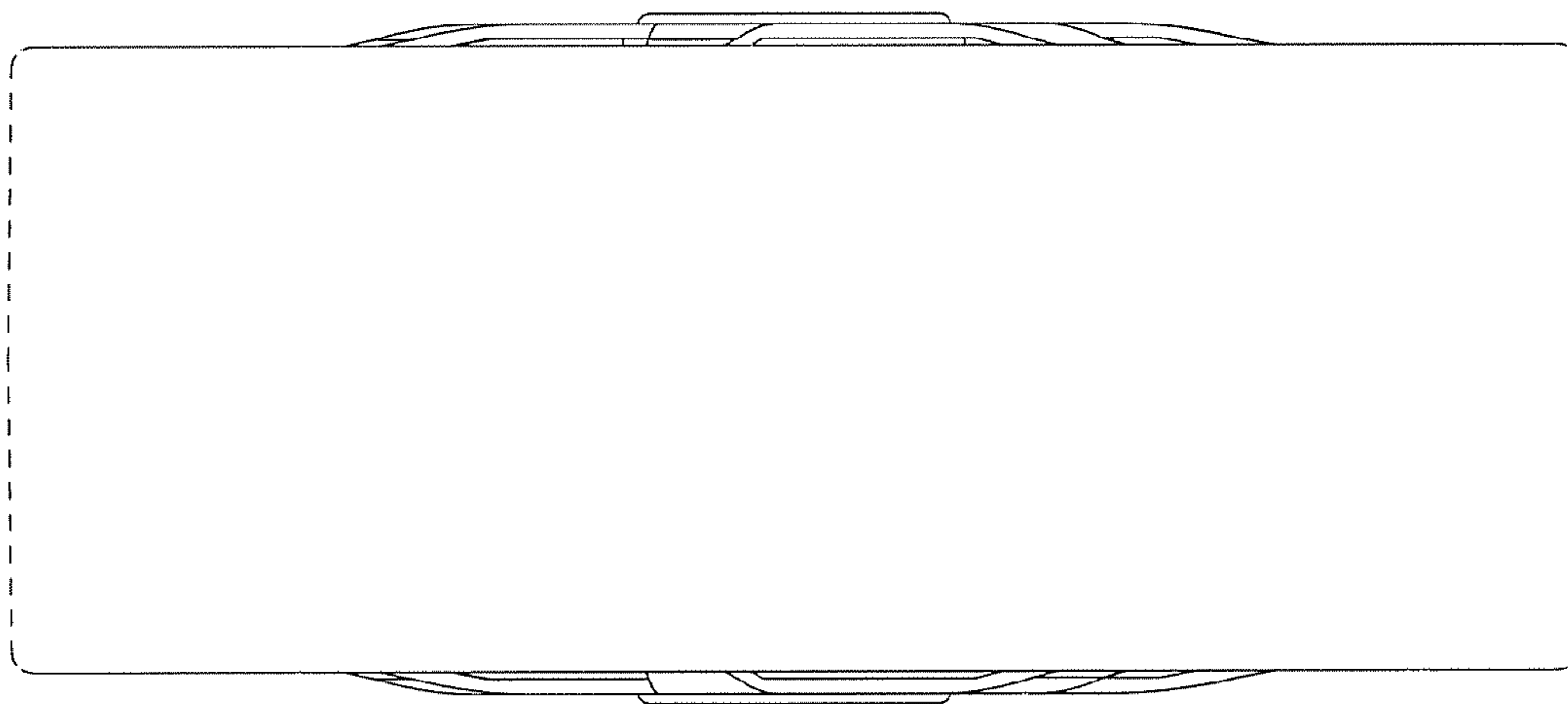


FIG. 5

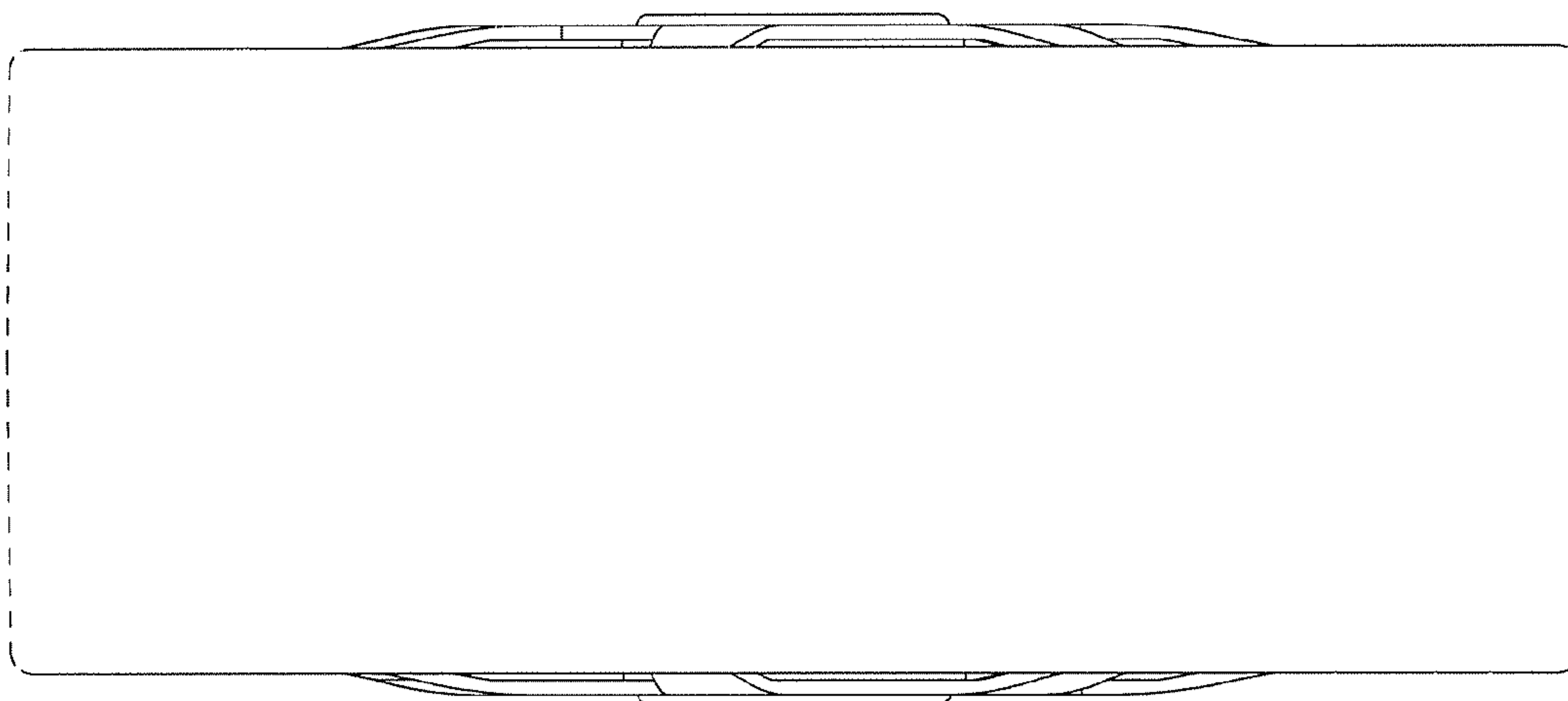


FIG. 6