



US00D568723S

(12) **United States Design Patent**
Morgan

(10) **Patent No.:** **US D568,723 S**

(45) **Date of Patent:** **** May 13, 2008**

(54) **WIRE ORGANIZER**

(76) **Inventor:** **Wayne B. Morgan**, 482 Fawncove Rd.,
Ames, IA (US) 50011

(**) **Term:** **14 Years**

(21) **Appl. No.:** **29/262,773**

(22) **Filed:** **Jul. 11, 2006**

(51) **LOC (8) Cl.** **08-05**

(52) **U.S. Cl.** **D8/356**

(58) **Field of Classification Search** D8/105,
D8/107, 333, 349, 354, 356, 358, 367, 373,
D8/382, 383, 394-396; D23/261; D26/38;
24/197, 561; 174/153 G; 242/400.1, 405.1,
242/405.2, 600, 916; 248/65, 74.1-74.4,
248/214, 215, 229.26, 201, 302, 204, 316.7,
248/316.8; 439/501; D34/38; 108/57.25
See application file for complete search history.

4,640,032 A	2/1987	Lewis	
4,836,493 A *	6/1989	Marton	248/558
4,852,832 A *	8/1989	Delaney	248/65
4,858,846 A *	8/1989	McDonald	242/405.1
D303,192 S	9/1989	Bogar	
D304,168 S *	10/1989	Gurganus	D12/223
4,874,908 A	10/1989	Johansson	
D311,487 S *	10/1990	Platt	D8/396
4,971,271 A	11/1990	Sularz	
4,993,961 A *	2/1991	Hisatomi et al.	439/125
D316,954 S *	5/1991	Glaser et al.	D8/71
5,209,441 A	5/1993	Satoh	
D336,929 S	6/1993	Mori et al.	
5,316,246 A	5/1994	Scott	
5,566,269 A	10/1996	Eberle	
D378,408 S	3/1997	Pyeatt	

(Continued)

Primary Examiner—T. Chase Nelson
Assistant Examiner—Karen Acker
(74) *Attorney, Agent, or Firm*—Sturm & Fix LLP

(56) **References Cited**

U.S. PATENT DOCUMENTS

2,178,113 A *	10/1939	Dailey	248/201
2,397,291 A	3/1946	Robertson	
D188,221 S *	6/1960	Maro	D6/574
D190,429 S	5/1961	Hoagland	
3,029,303 A	4/1962	Severino	
3,292,962 A *	12/1966	Valli	294/5.5
D206,876 S	2/1967	Emley	
3,346,688 A	10/1967	Fields	
3,459,878 A	8/1969	Gressitt et al.	
3,890,459 A	6/1975	Caveney	
4,114,241 A	9/1978	Bisping	
4,202,520 A *	5/1980	Loos et al.	248/68.1
D256,303 S	8/1980	Rieman	
4,244,544 A	1/1981	Kornat	
4,300,284 A	11/1981	Reeder	
4,404,425 A	9/1983	Rich	
4,415,765 A	11/1983	Iwasa et al.	
D272,787 S *	2/1984	Rumbaugh	D6/552
4,431,152 A *	2/1984	Reed, Jr.	248/65
4,484,020 A *	11/1984	Loof et al.	174/68.3
4,533,205 A *	8/1985	Frank	439/783

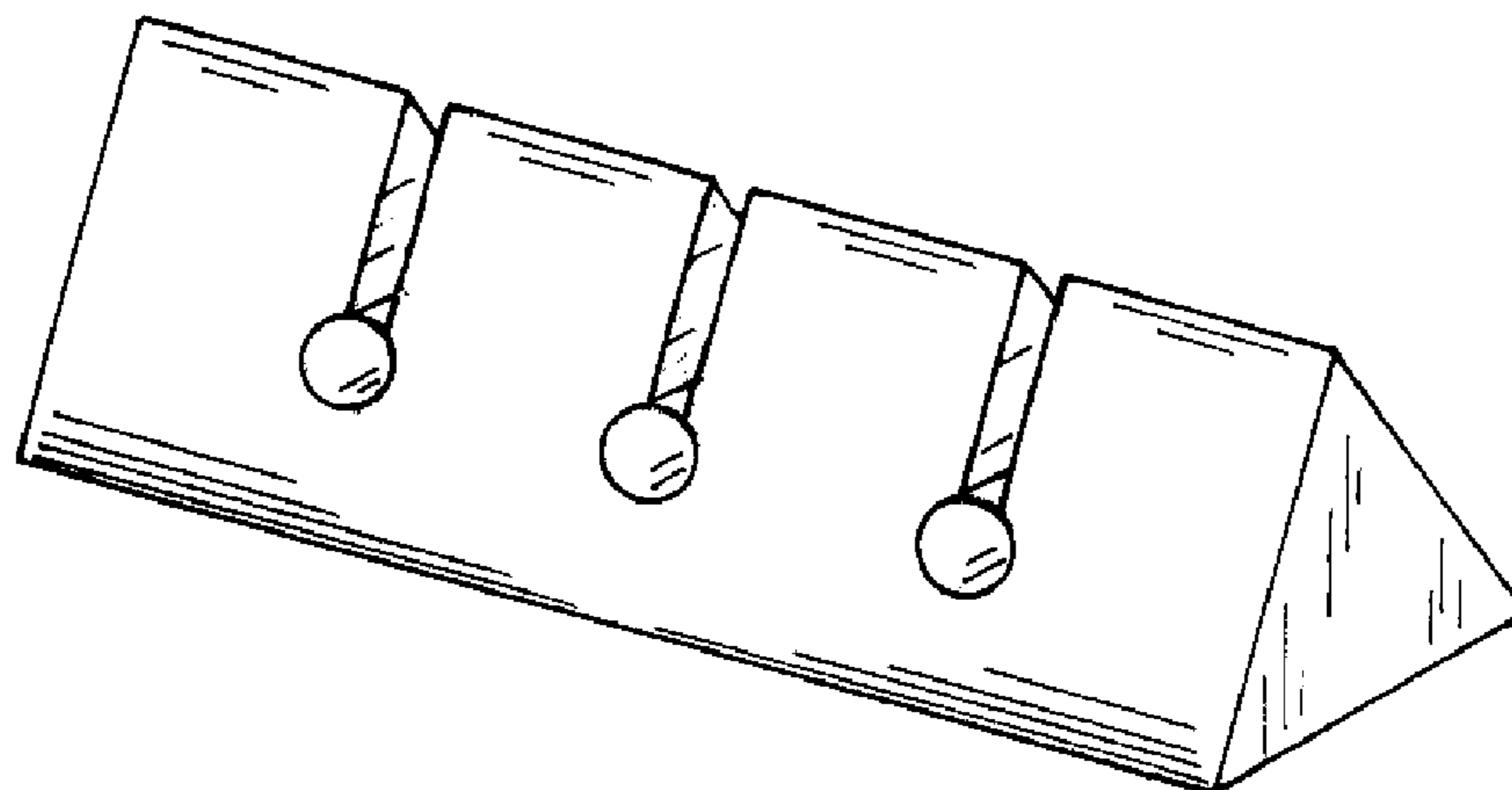
(57) **CLAIM**

The ornamental design for a wire organizer, as shown and described.

DESCRIPTION

FIG. 1 is a front perspective view of the wire organizer showing my new design;
FIG. 2 is a front elevational view of the wire organizer thereof;
FIG. 3 is a rear elevational view of the wire organizer thereof;
FIG. 4 is a right elevational view of the wire organizer thereof;
FIG. 5 is a left elevational view of the wire organizer thereof;
FIG. 6 is a top plan view of the wire organizer thereof; and,
FIG. 7 is a bottom plan view of the wire organizer thereof.

1 Claim, 1 Drawing Sheet



US D568,723 S

Page 2

U.S. PATENT DOCUMENTS

5,607,126	A	3/1997	Cordola				
5,615,850	A	4/1997	Cloninger				
D386,388	S *	11/1997	Antonucci	D8/354		
D390,066	S *	2/1998	Watkins et al.	D7/633		
5,813,649	A *	9/1998	Peterson et al.	248/618		
D407,295	S *	3/1999	Belokin et al.	D8/349		
5,954,301	A	9/1999	Joseph				
5,992,802	A *	11/1999	Campbell	248/68.1		
6,206,330	B1	3/2001	Oi				
6,227,502	B1	5/2001	Derman				
D444,244	S *	6/2001	McPherson et al.	D25/199		
6,241,198	B1	6/2001	Maruyama				
D444,376	S *	7/2001	Noriega et al.	D8/354		
6,274,815	B1	8/2001	Kawaguchi				
D448,650	S *	10/2001	Vrame	D8/356		
6,360,051	B1	3/2002	Daoud				
6,392,147	B1	5/2002	Hier et al.				
D468,622	S *	1/2003	Sarkinen et al.	D8/356		
6,580,867	B2	6/2003	Galaj et al.				
D488,054	S	4/2004	Myers				
D492,580	S *	7/2004	Tyburk	D8/373		
7,098,406	B1 *	8/2006	Hammonds	174/154		
2003/0132352	A1	7/2003	Weaver				
2005/0189453	A1	9/2005	DeGuevara				

* cited by examiner

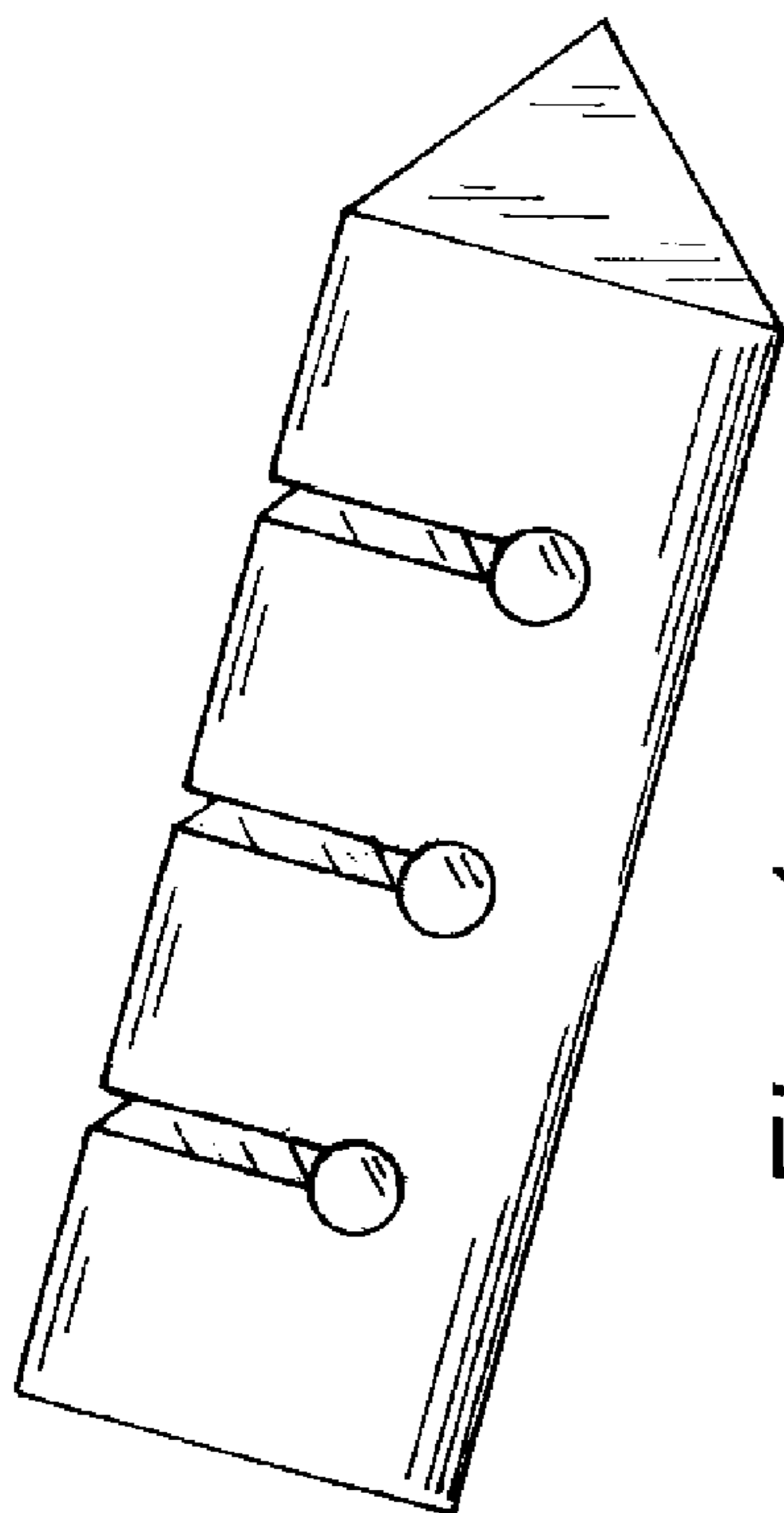


Fig. 1

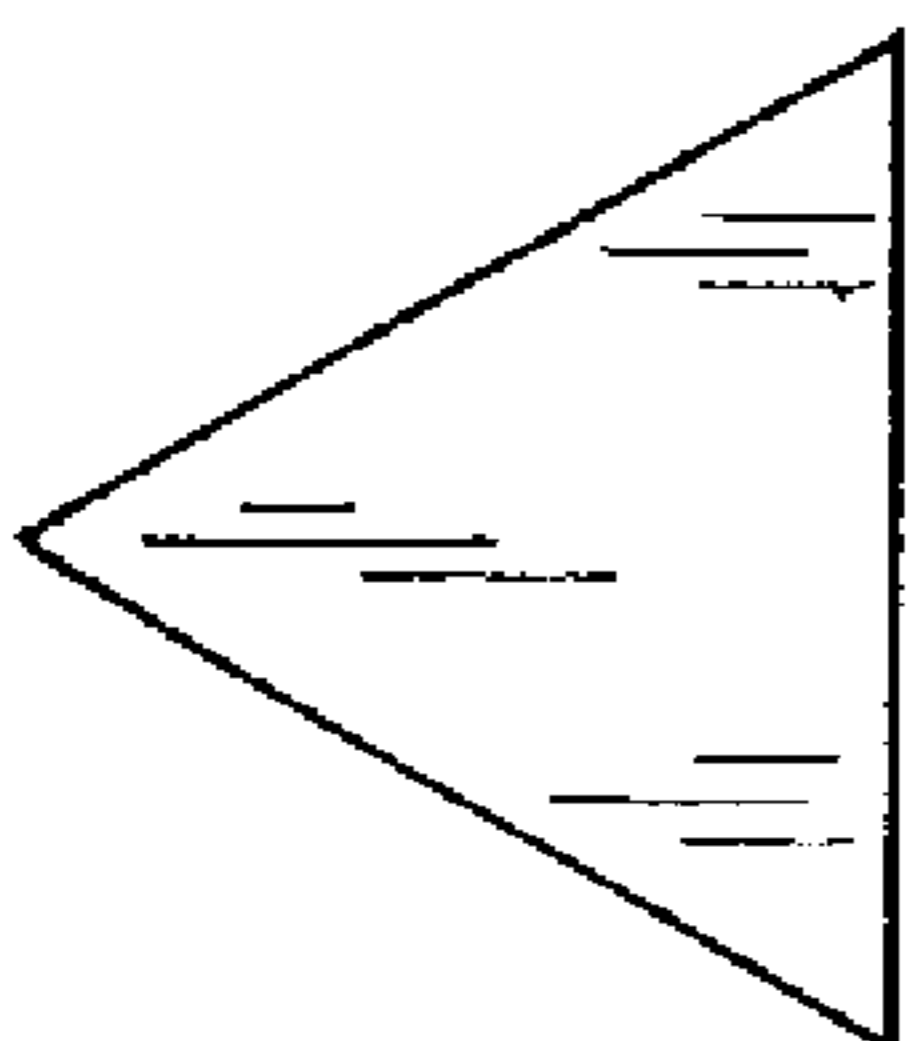


Fig. 4

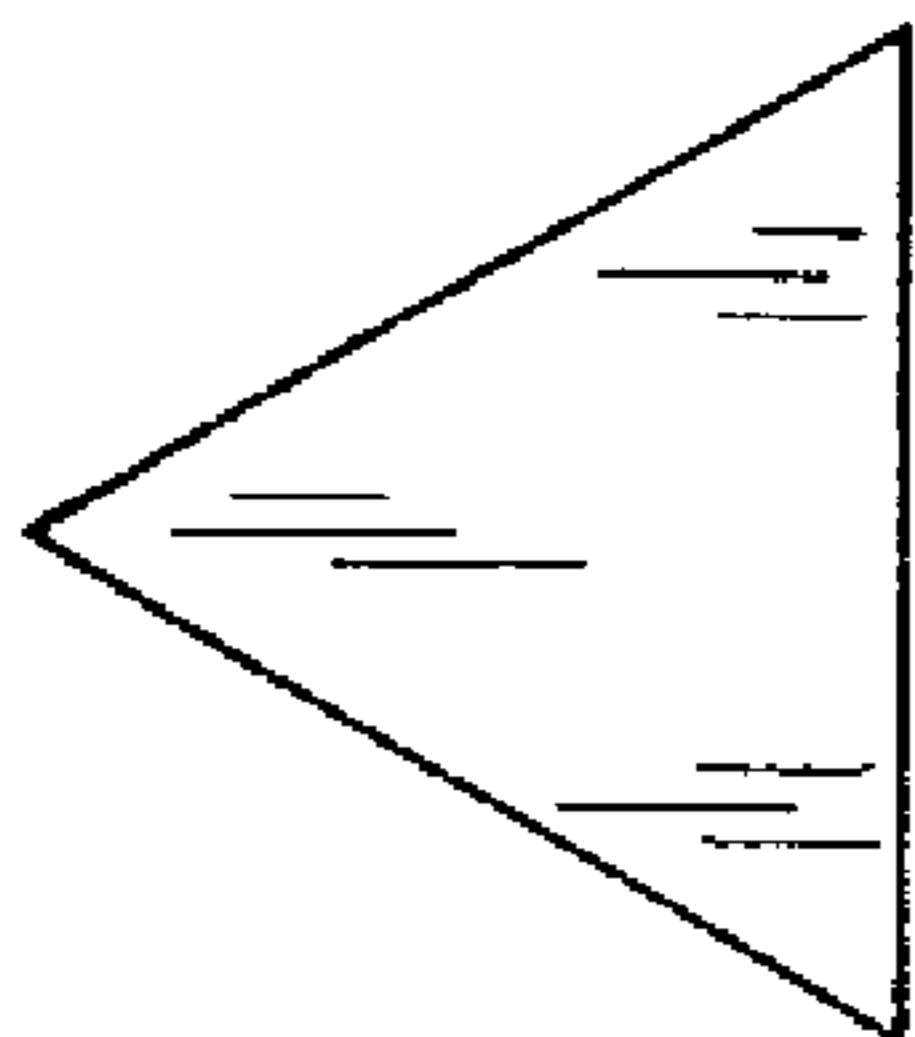


Fig. 5

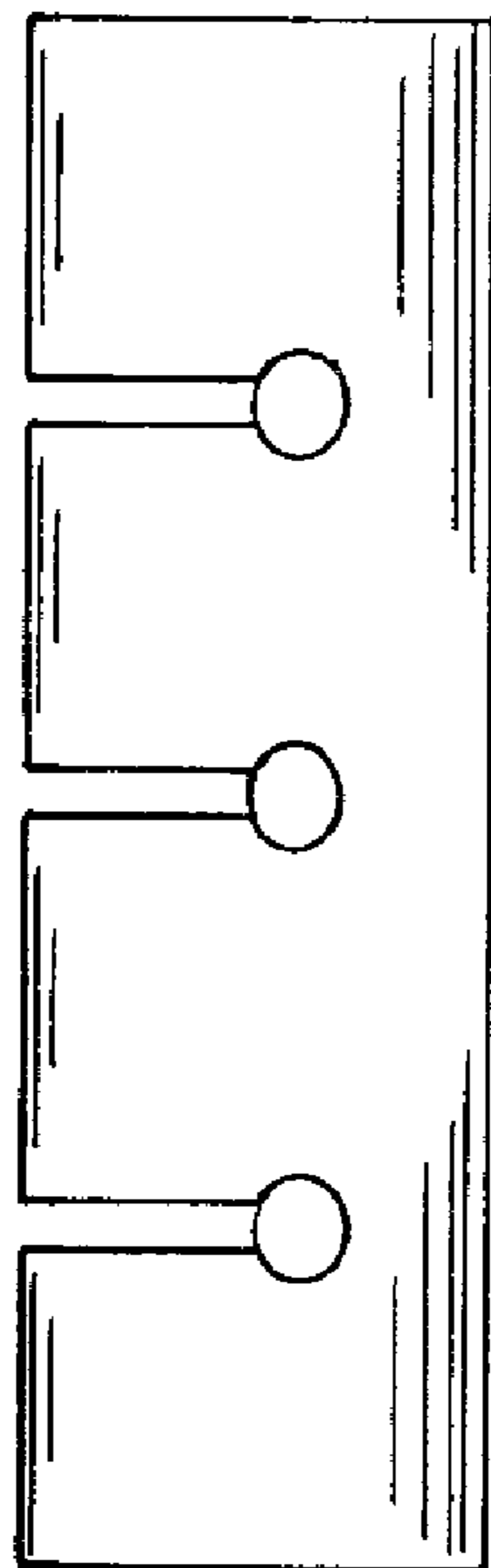


Fig. 2

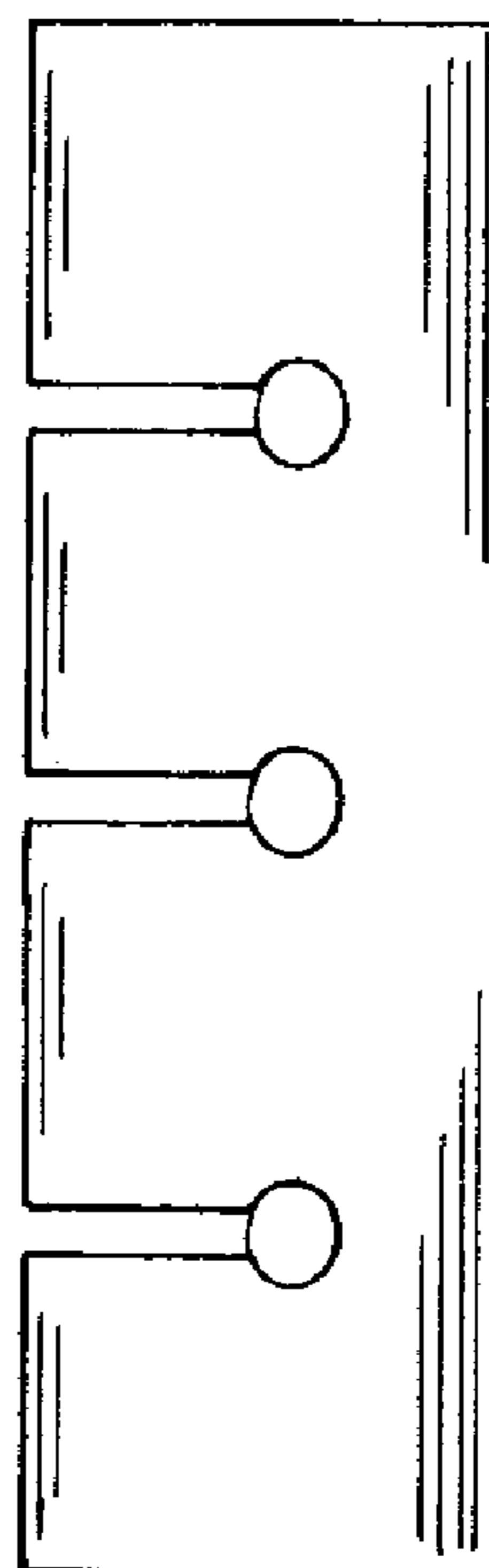


Fig. 3

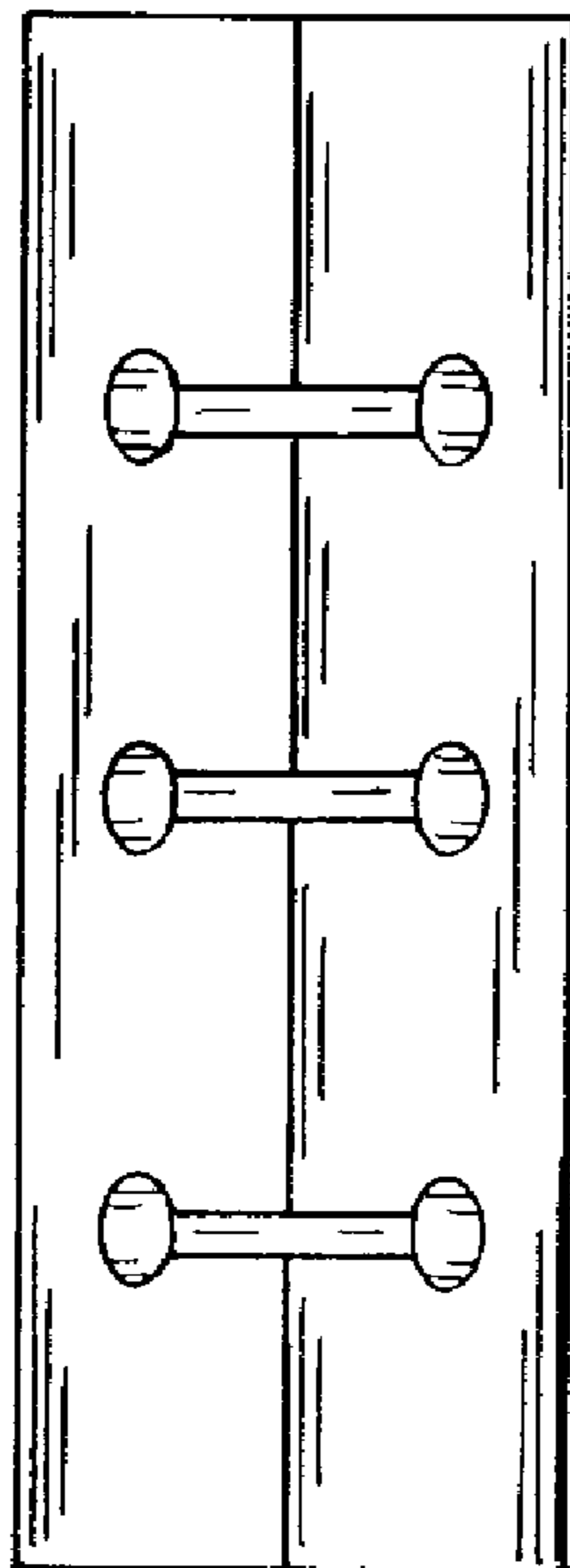


Fig. 6

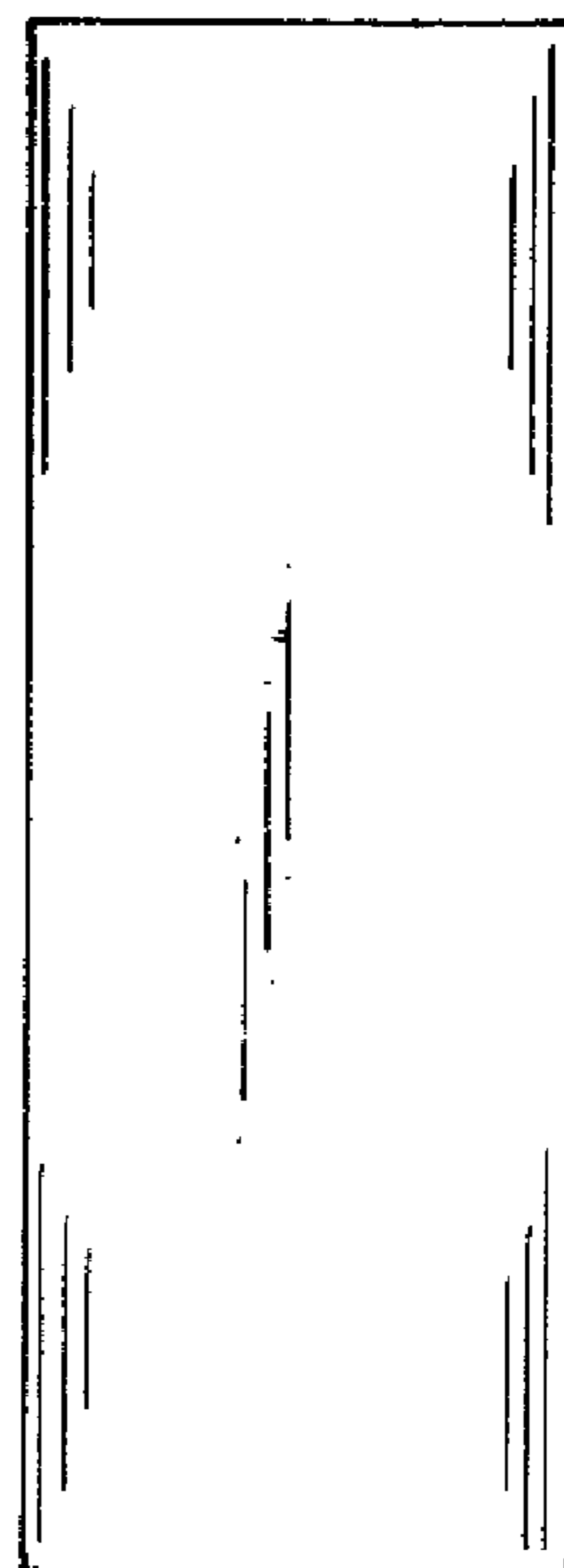


Fig. 7