



US00D568722S

(12) **United States Design Patent**
King

(10) **Patent No.:** **US D568,722 S**
(45) **Date of Patent:** **** May 13, 2008**

(54) **COMBINED BRACKET AND MOUNTING ELEMENT FOR MOUNTING ILLUMINATED GLASS**

(76) **Inventor:** **Robert King**, 1412 S. Ritchie, Unit B, Santa Ana, CA (US) 92705

(**) **Term:** **14 Years**

(21) **Appl. No.:** **29/285,061**

(22) **Filed:** **Mar. 20, 2007**

(51) **LOC (8) Cl.** **08-05**

(52) **U.S. Cl.** **D8/354**

(58) **Field of Classification Search** D8/354,
D8/380; 52/208, 716.2, 716.5, 717.05
See application file for complete search history.

(56) **References Cited**

U.S. PATENT DOCUMENTS

6,263,627 B1 * 7/2001 Schonenbach et al. 52/208
6,425,216 B1 * 7/2002 Gardner 52/204.53

* cited by examiner

Primary Examiner—Holly H Baynham
(74) *Attorney, Agent, or Firm*—Eric Karich

(57) **CLAIM**

The ornamental design for a “combined bracket and mounting element for mounting illuminated glass,” as shown and described.

DESCRIPTION

FIG. 1 is a perspective view of a combined bracket and mounting element for mounting illuminated glass, showing my new design;

FIG. 2 is an exploded perspective view of the bracket showing the mounting element in an exploded position for illustrating the ornamental features of the mounting element;

FIG. 3 is a front elevational view thereof;

FIG. 4 is a rear elevational view thereof;

FIG. 5 is a left side elevational view thereof

FIG. 6 is a right side elevational view thereof;

FIG. 7 is a top plan view thereof; and,

FIG. 8 is a bottom plan view thereof.

The broken line showing of a rectangular piece of illuminated glass is for illustrative purposes only and forms no part of the claimed design

1 Claim, 2 Drawing Sheets

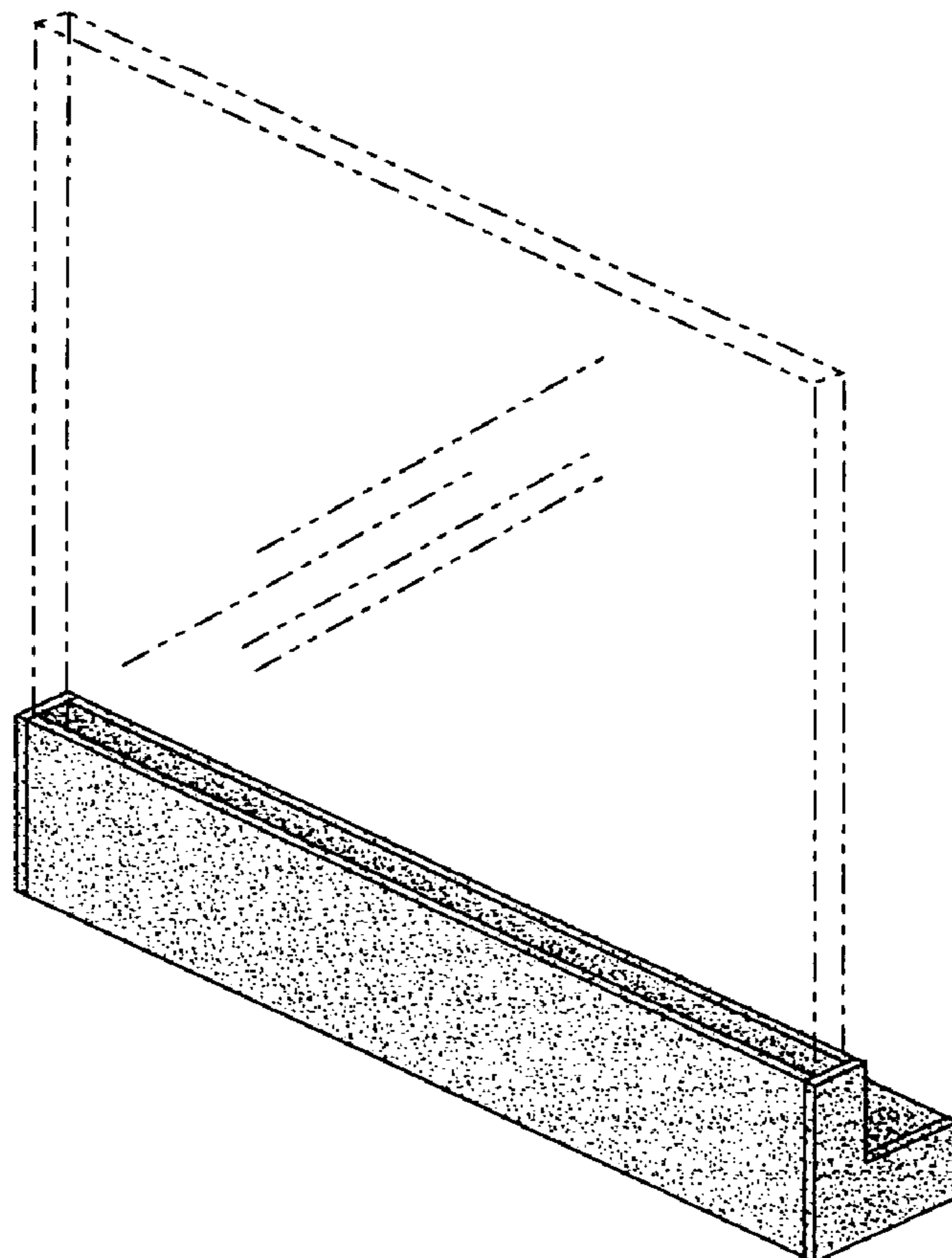


FIG. 1

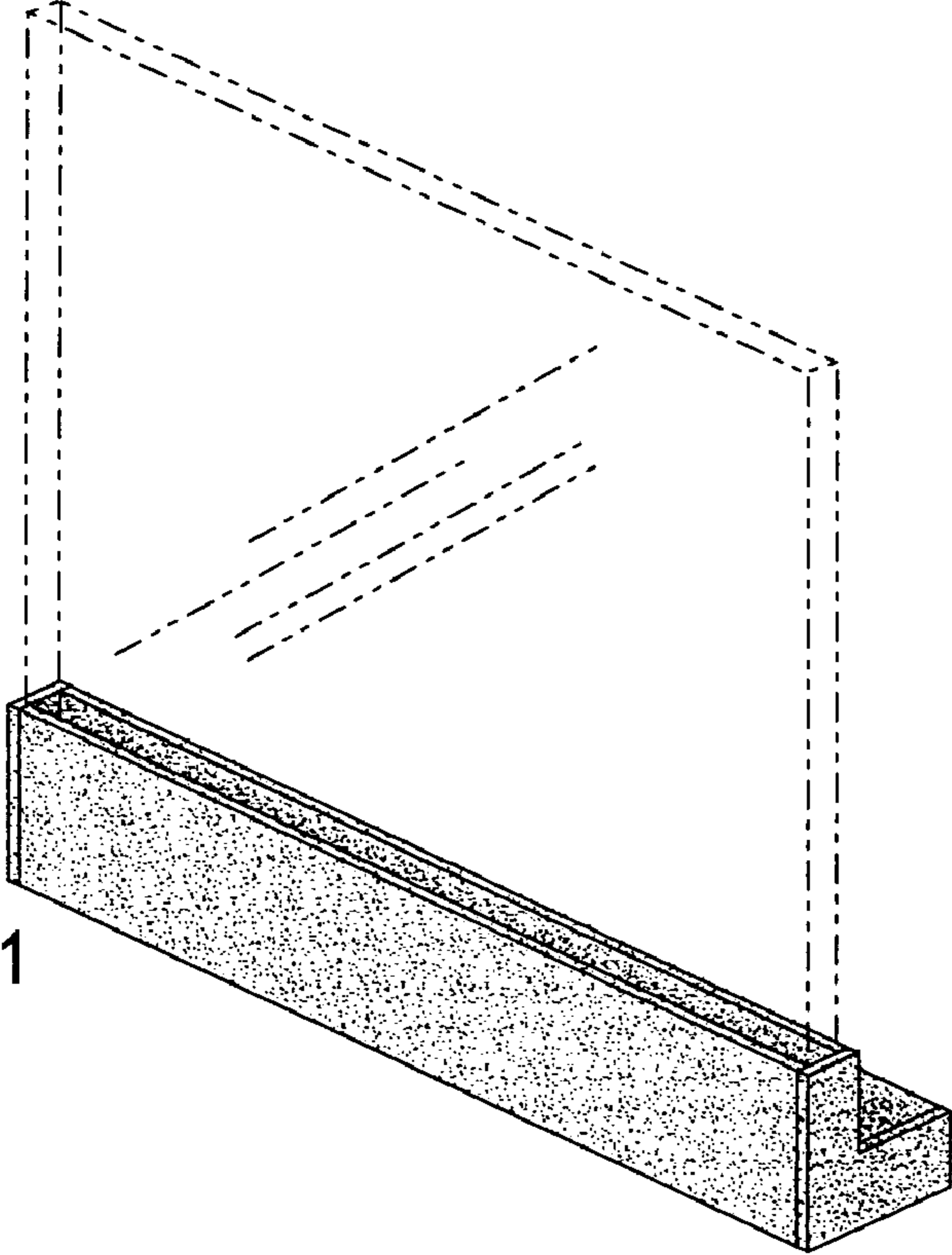
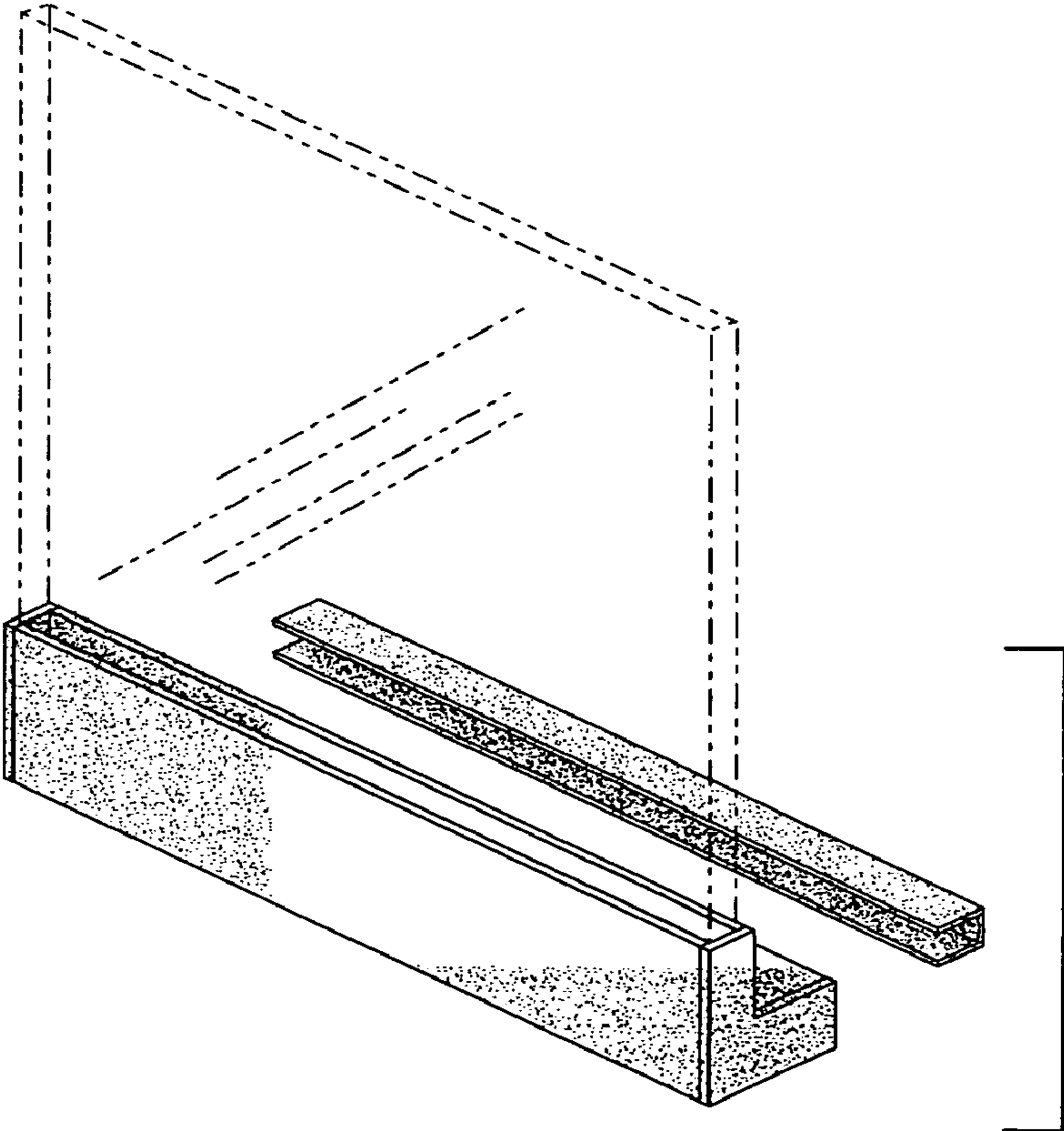


FIG. 2



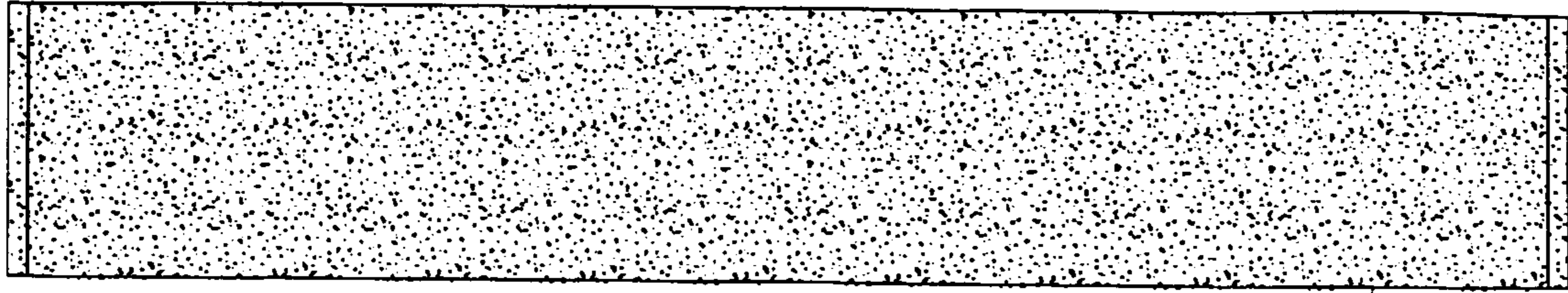


FIG. 3

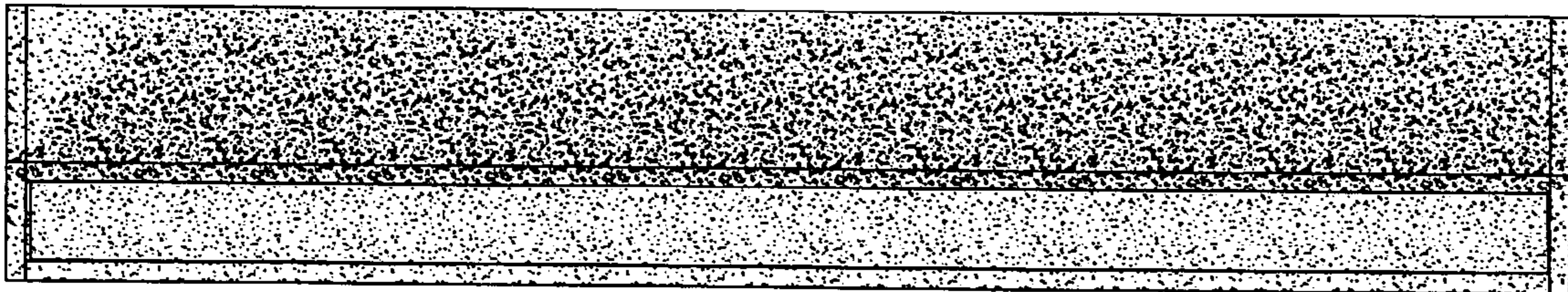


FIG. 4

FIG. 5

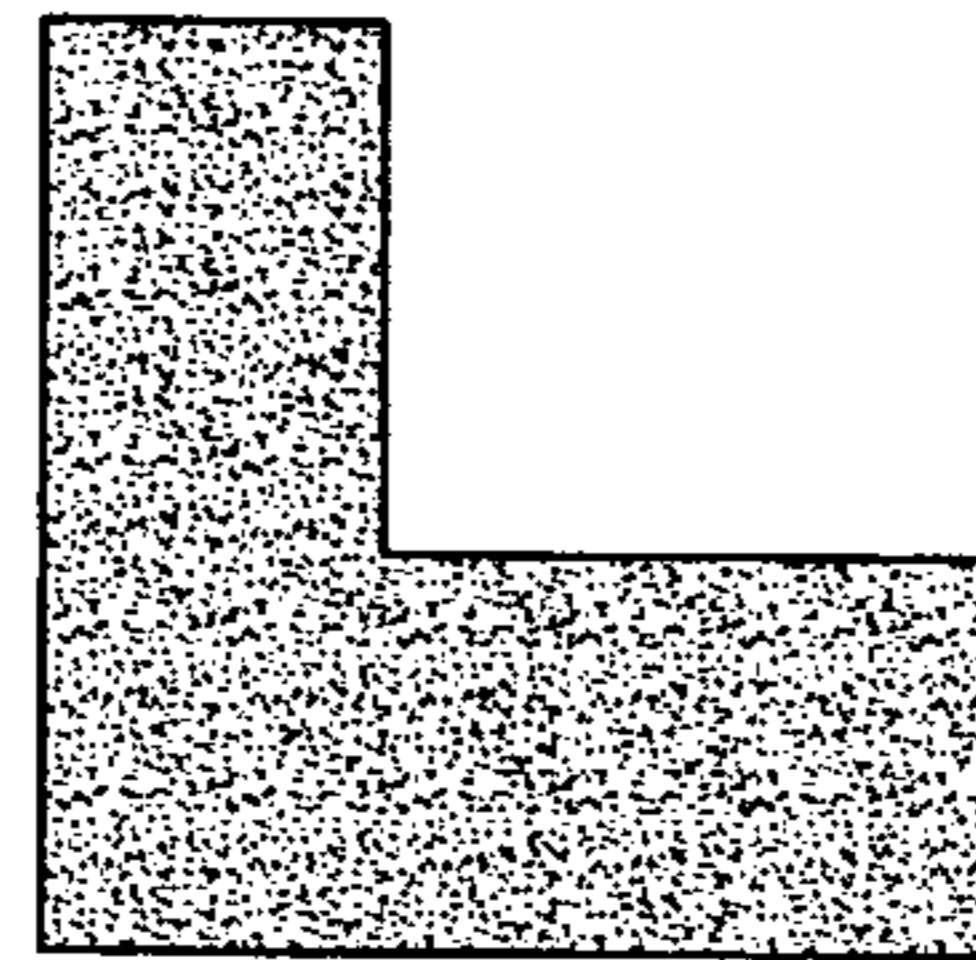
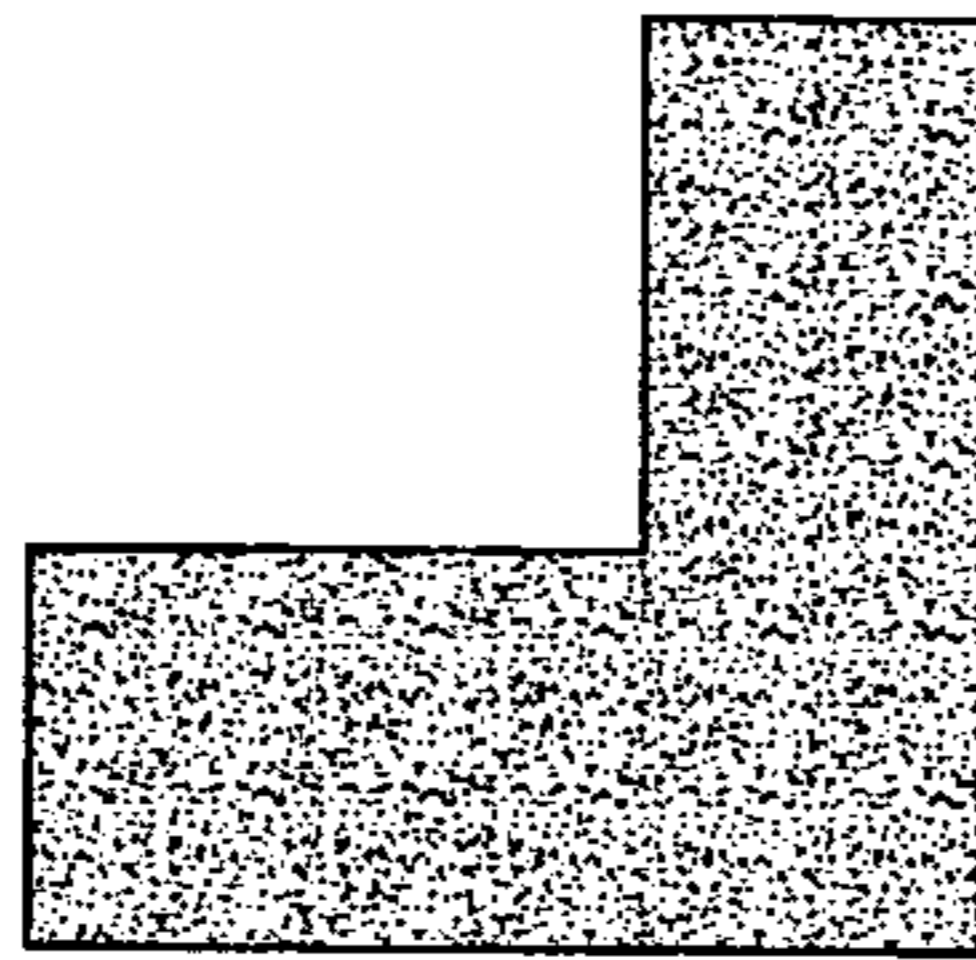


FIG. 6

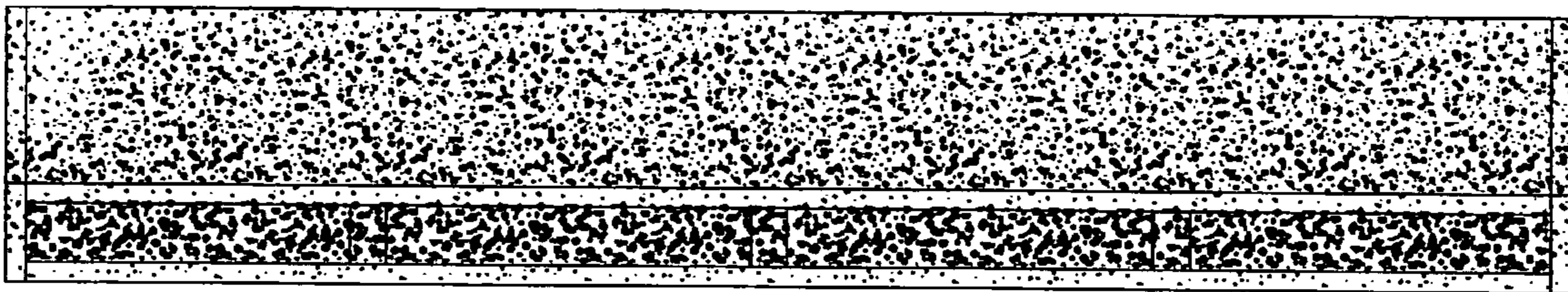


FIG. 7

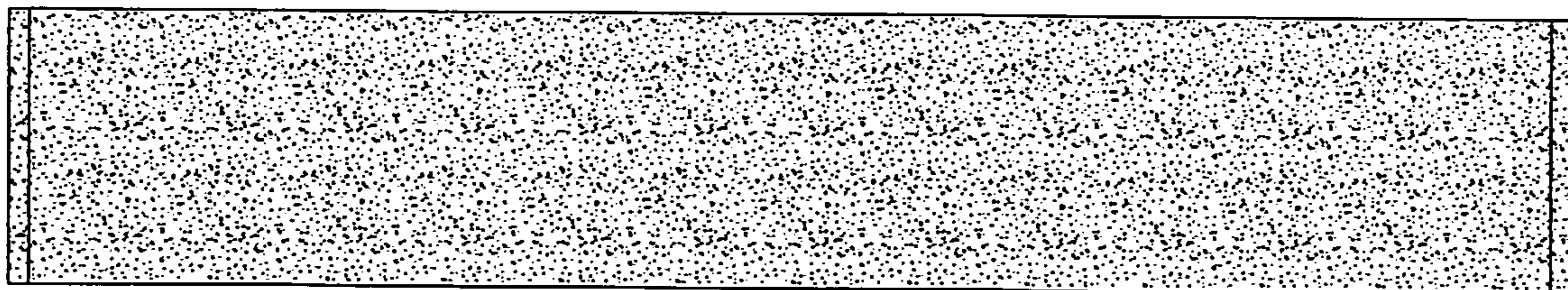


FIG. 8