



US00D568721S

(12) **United States Design Patent**
Greaves

(10) **Patent No.:** **US D568,721 S**
(45) **Date of Patent:** **** May 13, 2008**

(54) **SUPPORT FOR BATTEN, JOIST OR THE LIKE**

Primary Examiner—Holly H. Baynham

(75) Inventor: **Henry Greaves**, Vacluse (AU)

(57) **CLAIM**

(73) Assignee: **Alan Sian Ghee Lee**, Singapore (SG)

The ornamental design for the support for batten, joist or the like, as shown and described.

(**) Term: **14 Years**

(21) Appl. No.: **29/282,602**

DESCRIPTION

(22) Filed: **Jul. 25, 2007**

(30) **Foreign Application Priority Data**

Feb. 16, 2007 (AU) 16476/2007

(51) **LOC (8) Cl.** **08-05**

(52) **U.S. Cl.** **D8/354**

(58) **Field of Classification Search** D8/349,
D8/354; 248/346.01, 346.02; 52/713-715,
52/272, 289

FIG. 1 is a top plan view of the support for batten, joist or the like of the ornamental design;

FIG. 2 is an isometric view from above and front of the support for batten, joist or the like of the ornamental design;

FIG. 3 is a bottom plan view of the support for batten, joist or the like of the ornamental design;

FIG. 4 is a front view of the support for batten, joist or the like of the ornamental design;

FIG. 5 is a left side view of the support for batten, joist or the like of the ornamental design; and,

FIG. 6 is a right side view of the support for batten, joist or the like of the ornamental design.

See application file for complete search history.

The broken line showing is for illustrative purposes only and forms no part of the claimed design.

(56) **References Cited**

U.S. PATENT DOCUMENTS

4,660,347 A * 4/1987 Resan 52/713

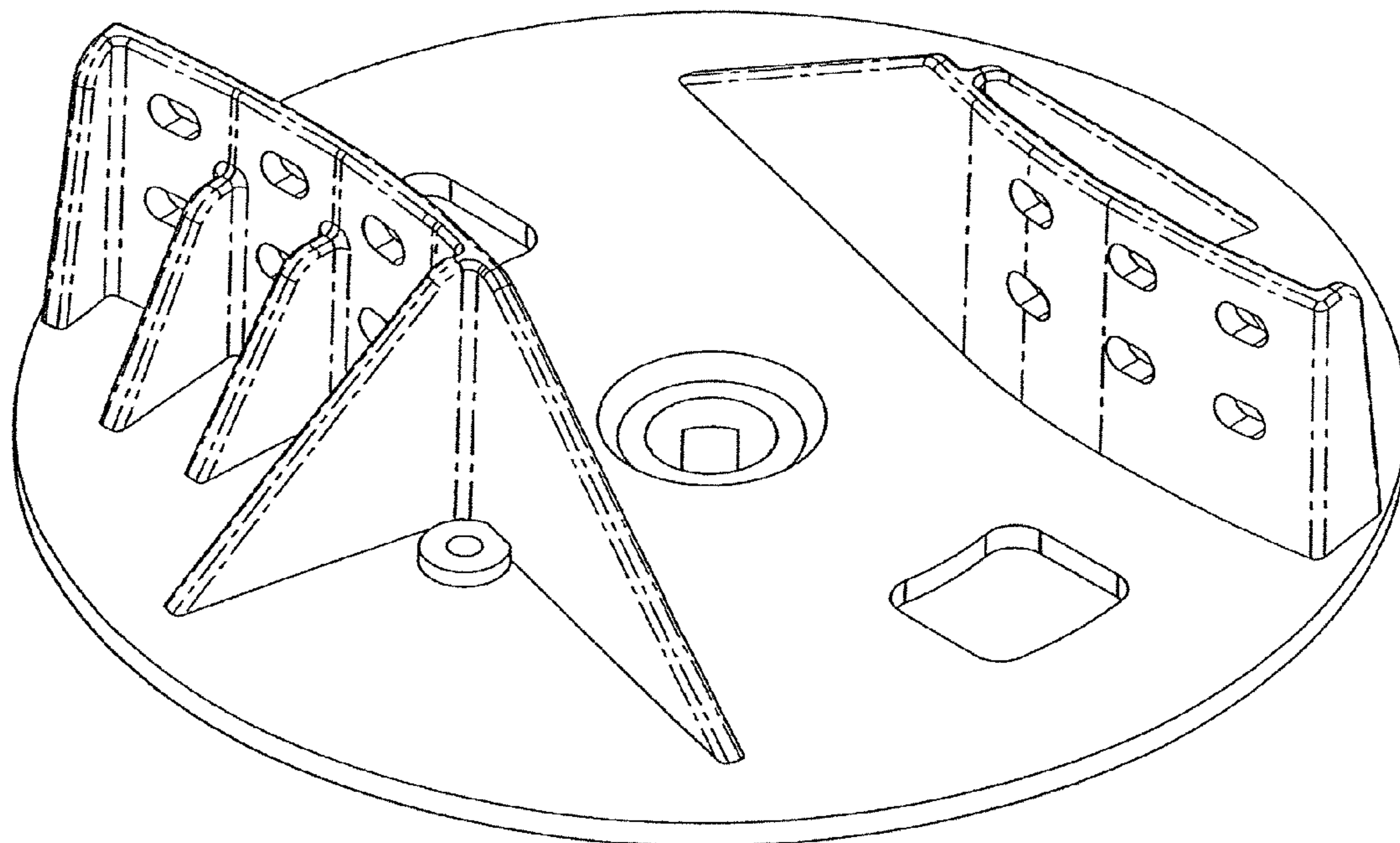
5,816,554 A * 10/1998 McCracken 248/346.01

D465,722 S * 11/2002 Shijyo D8/356

6,663,070 B2 * 12/2003 Valentz et al. 248/354.1

* cited by examiner

1 Claim, 6 Drawing Sheets



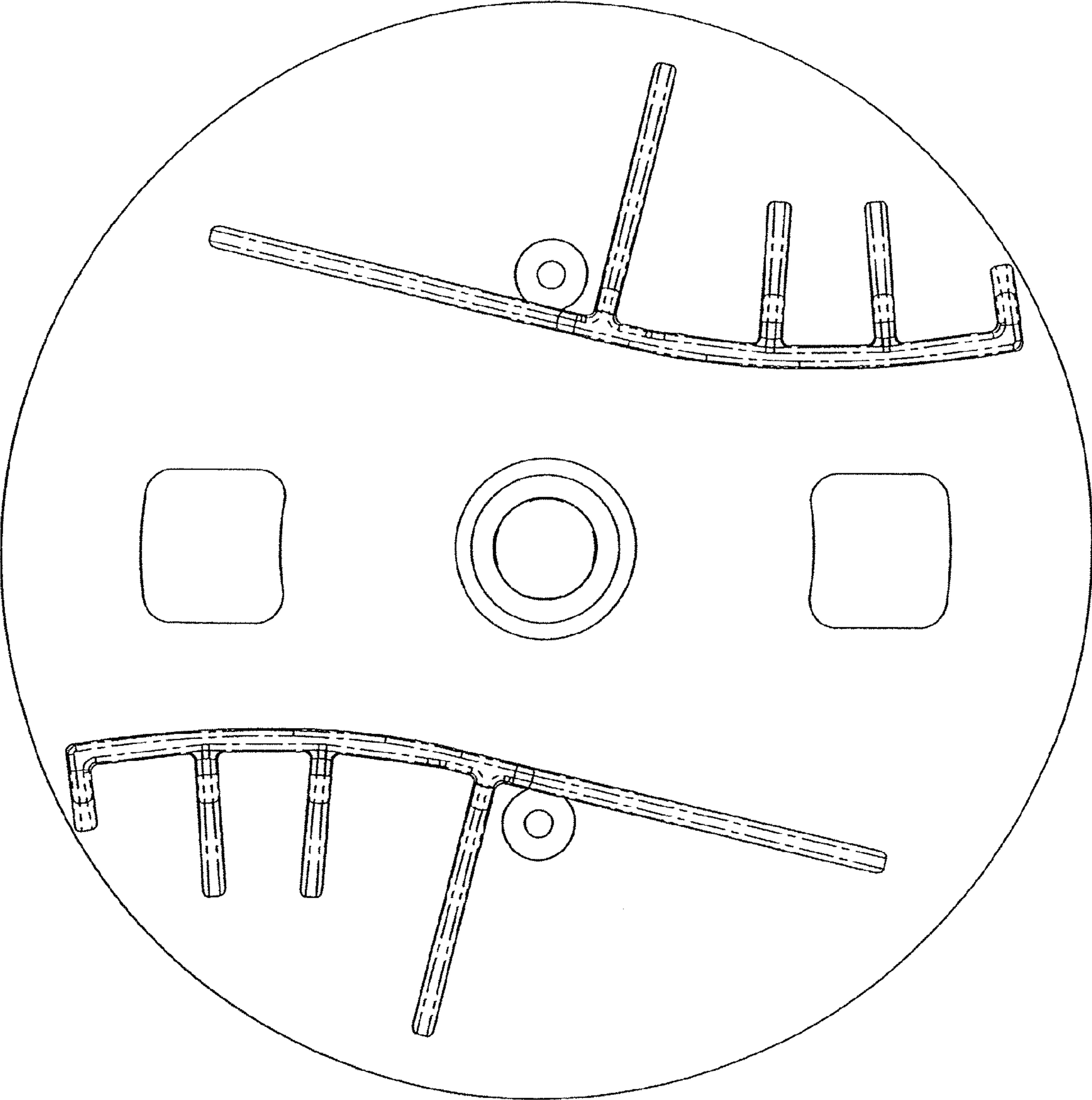


Figure 1

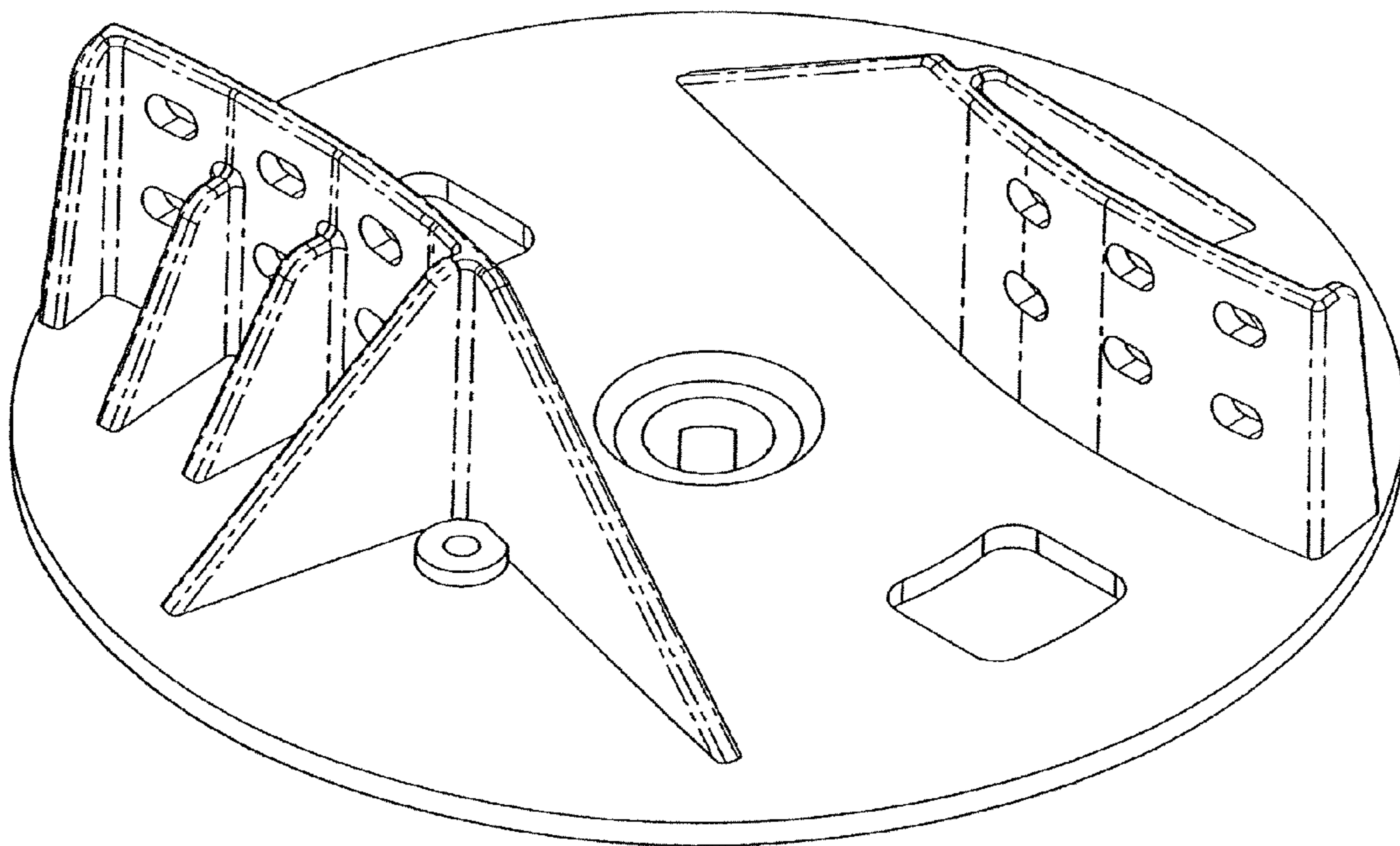


Figure 2

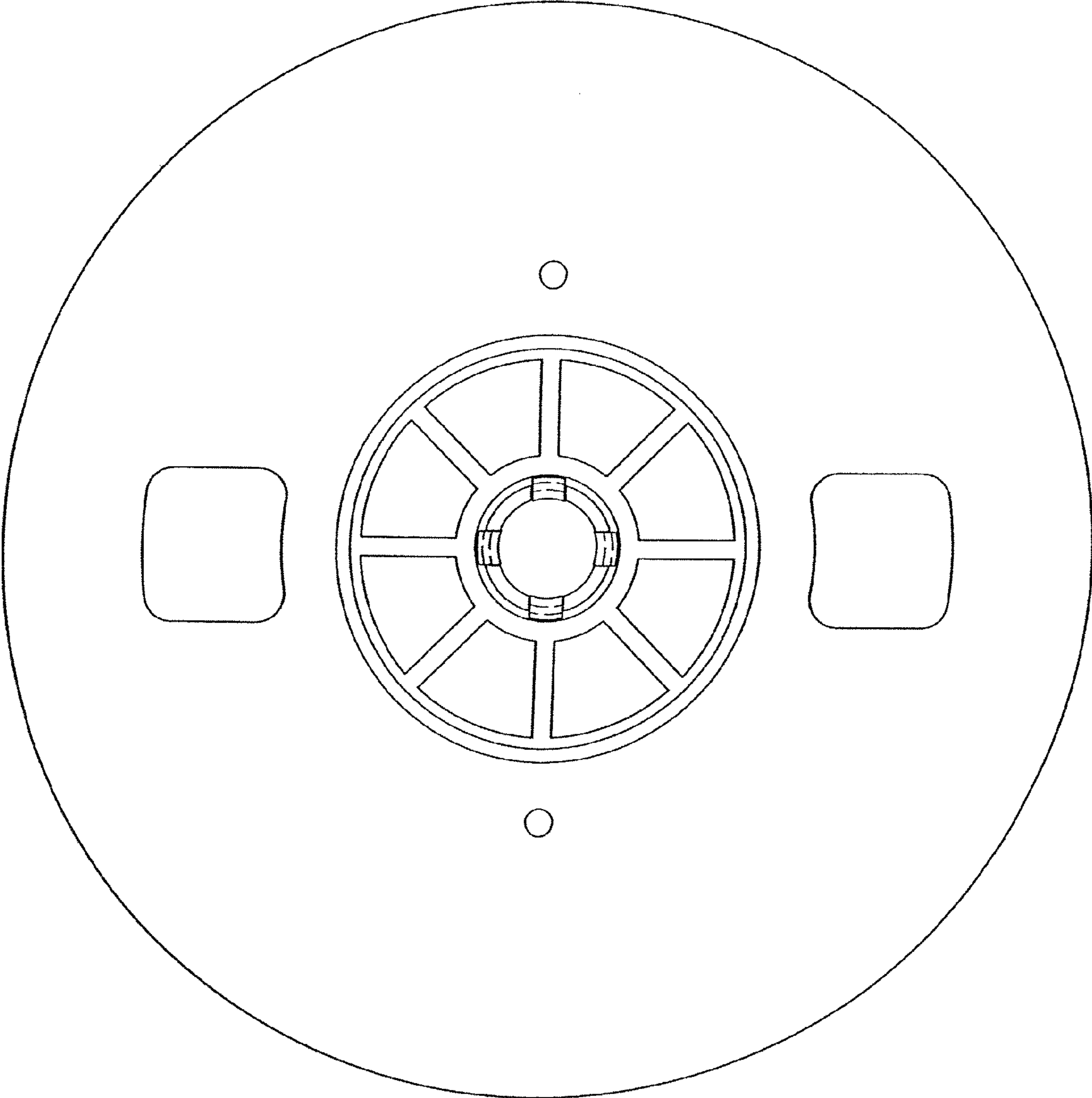


Figure 3

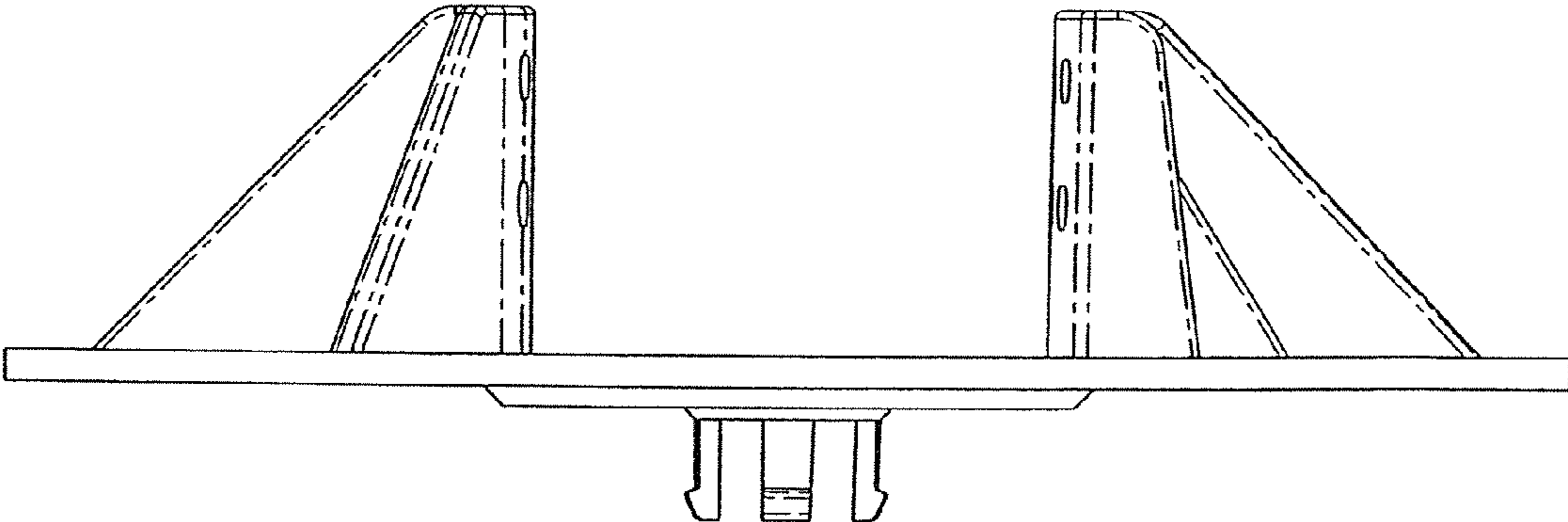


Figure 4

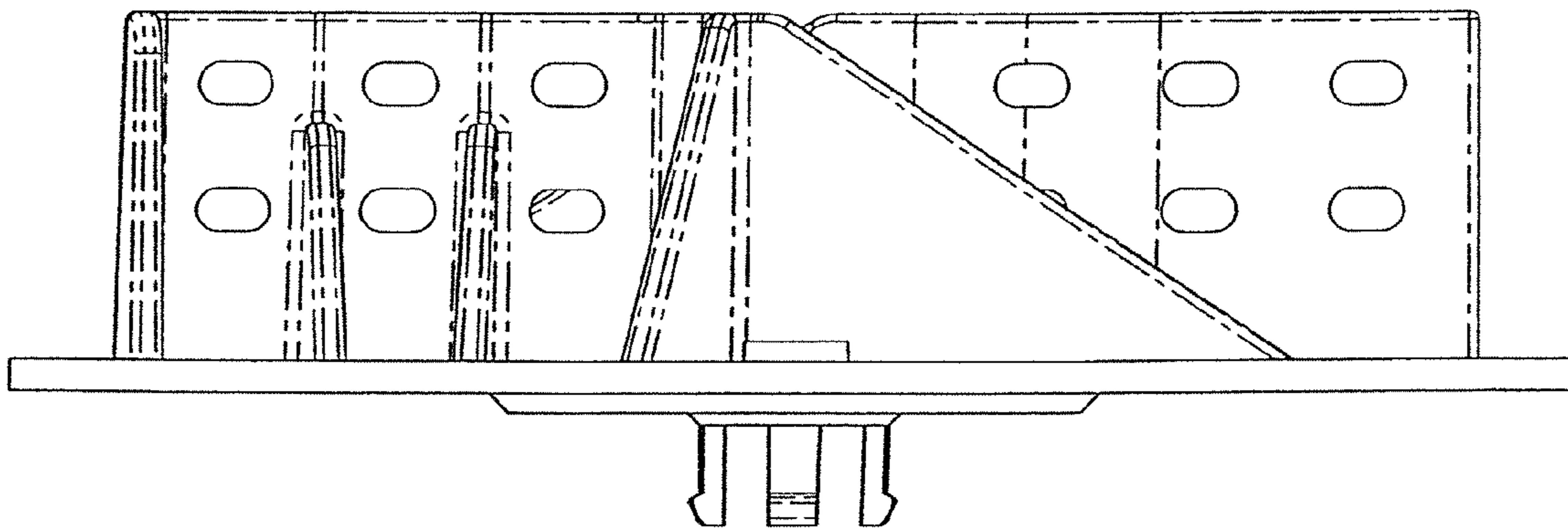


Figure 5

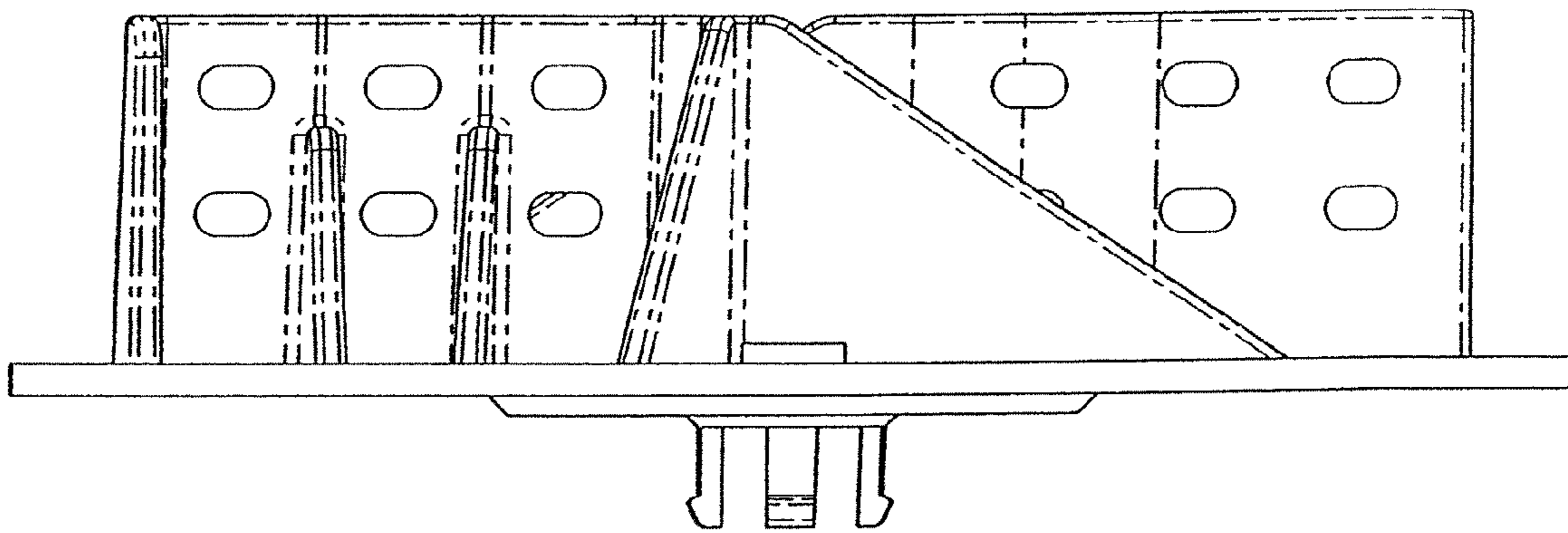


Figure 6