

US00D568720S

(12) **United States Design Patent**
Fritzsche

(10) **Patent No.:** **US D568,720 S**

(45) **Date of Patent:** **** May 13, 2008**

(54) **CAGE FOR PROTECTING AND TRANSPORTING A PROPANE TANK**

(76) Inventor: **Gregory A. Fritzsche**, 512 Newport Rd., Xenia, OH (US) 45385

(**) Term: **14 Years**

(21) Appl. No.: **29/270,484**

(22) Filed: **Dec. 26, 2006**

(51) **LOC (8) Cl.** **08-05**

(52) **U.S. Cl.** **D8/354**

(58) **Field of Classification Search** D8/349,
D8/354, 373; 220/647; 248/309.1, 307,
248/316.1

See application file for complete search history.

(56) **References Cited**

U.S. PATENT DOCUMENTS

3,638,699	A *	2/1972	Hillinger	220/647
3,730,384	A *	5/1973	Ramme	220/647
4,359,084	A *	11/1982	Geverath et al.	165/297
4,899,901	A *	2/1990	Nickel	220/647
5,366,246	A *	11/1994	Chen et al.	280/834
6,926,243	B1 *	8/2005	Ziaylek et al.	248/307
7,032,771	B2 *	4/2006	Pfau et al.	220/685

* cited by examiner

Primary Examiner—Holly H. Baynham

(74) *Attorney, Agent, or Firm*—Jacox, Meckstroth & Jenkins

(57) **CLAIM**

The ornamental design of a cage for protecting and transporting a propane tank, as shown and described.

DESCRIPTION

FIG. 1 is a perspective view of a cage for protecting and transporting a propane tank showing my new design;

FIG. 2 is an end view thereof, the opposite end view being the same;

FIG. 3 is a side view thereof, the opposite side view being the same;

FIG. 4 is a top view thereof; and,

FIG. 5 is a bottom view thereof.

The propane tank shown in phantom in FIG. 1 is for illustrative purpose only and forms no part of the claimed design.

1 Claim, 2 Drawing Sheets

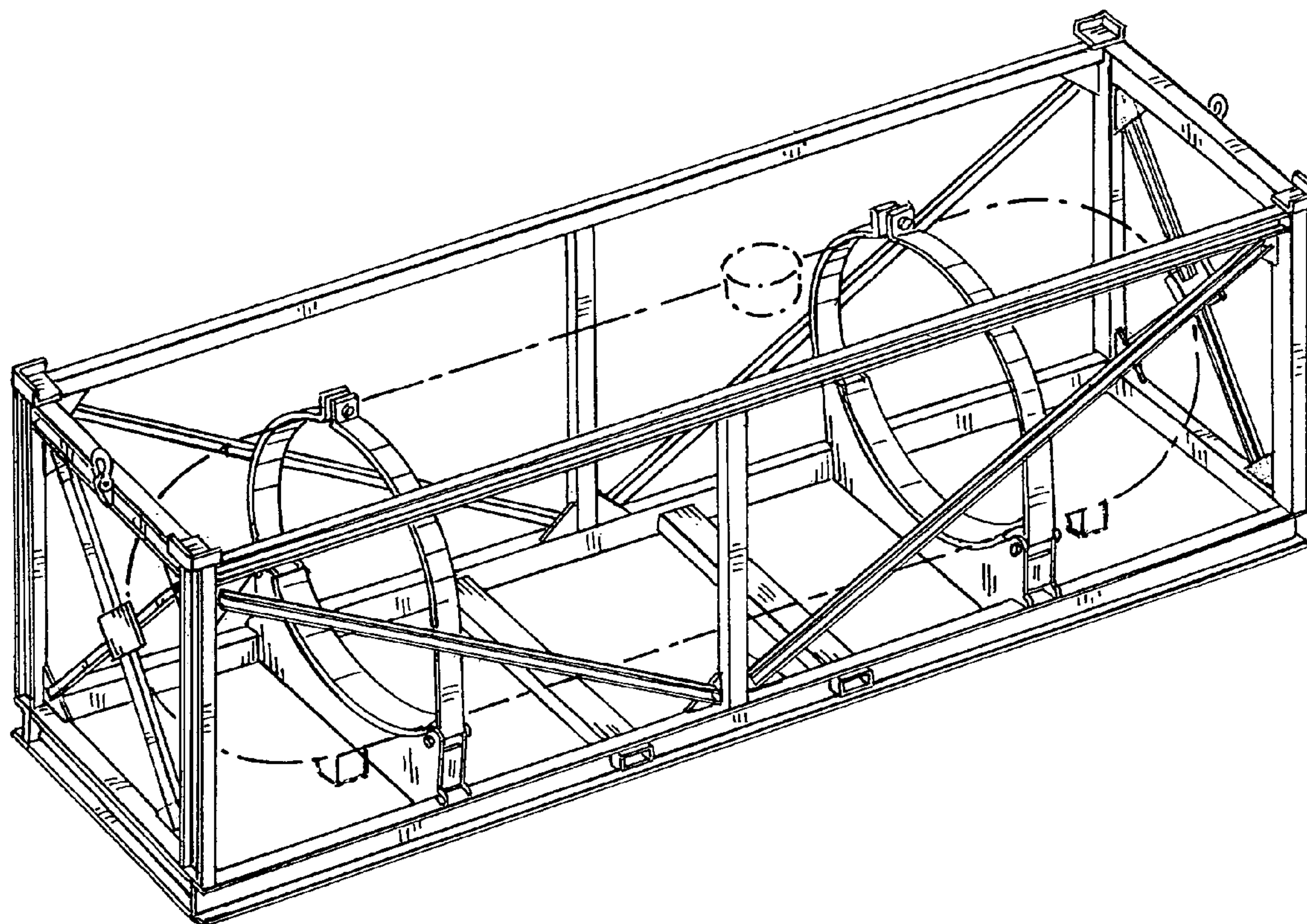


FIG-1

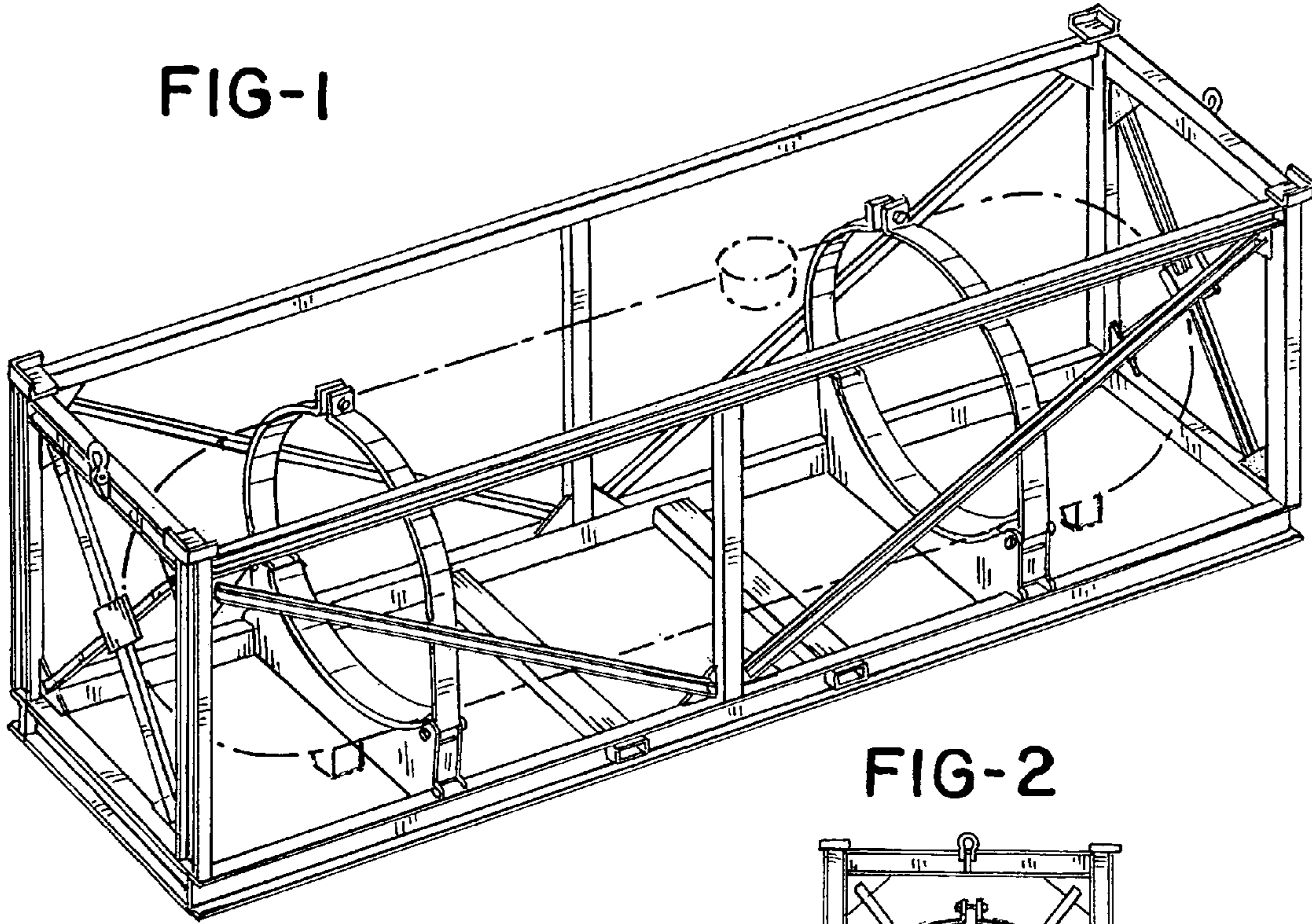


FIG-2

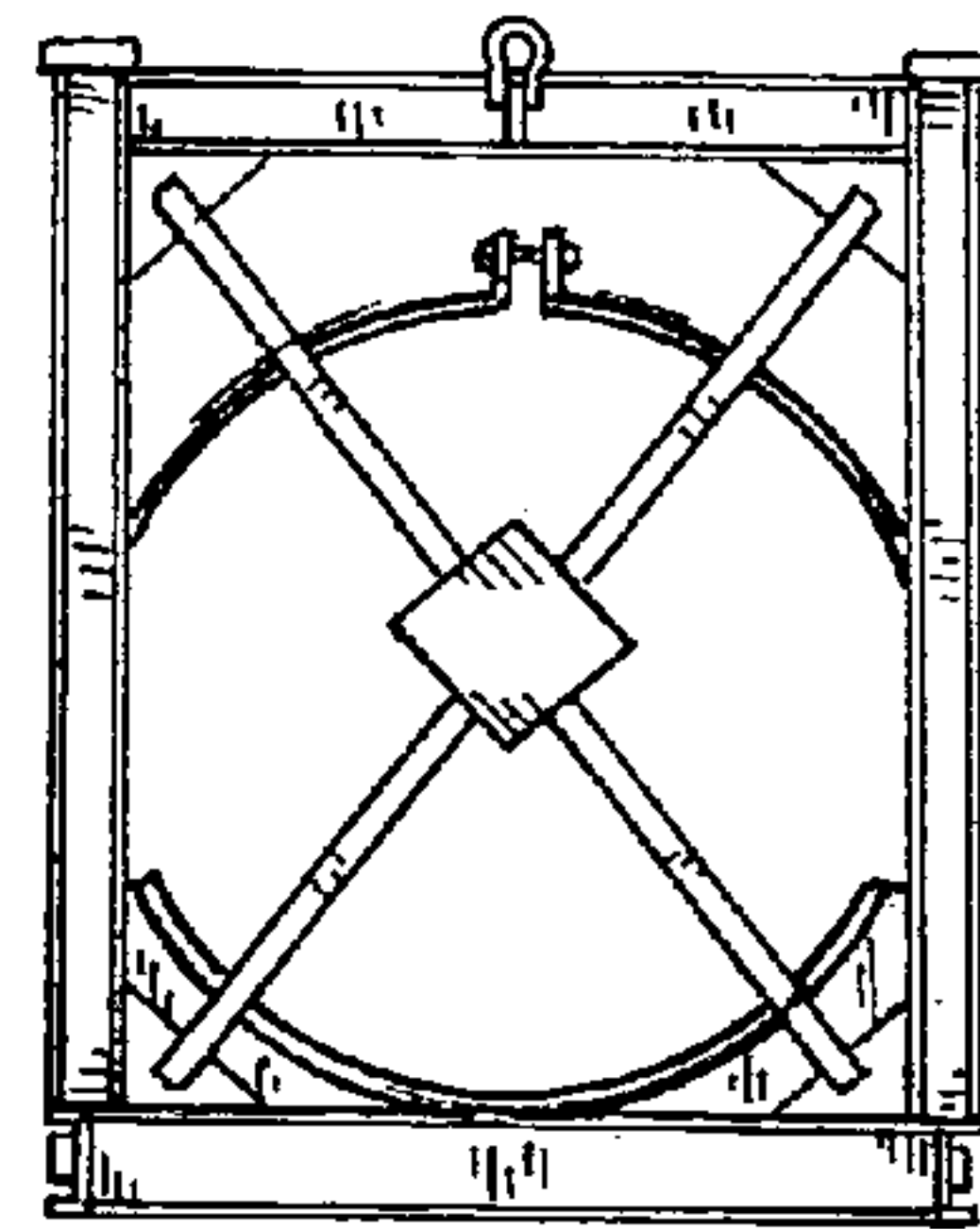


FIG-3

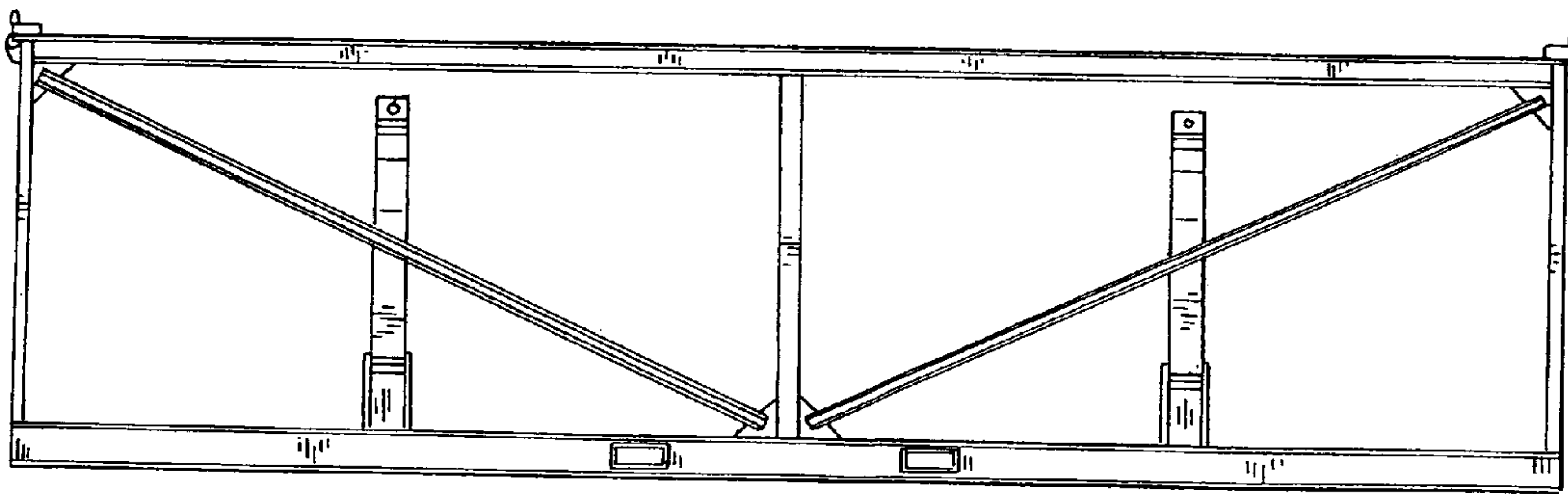


FIG-4

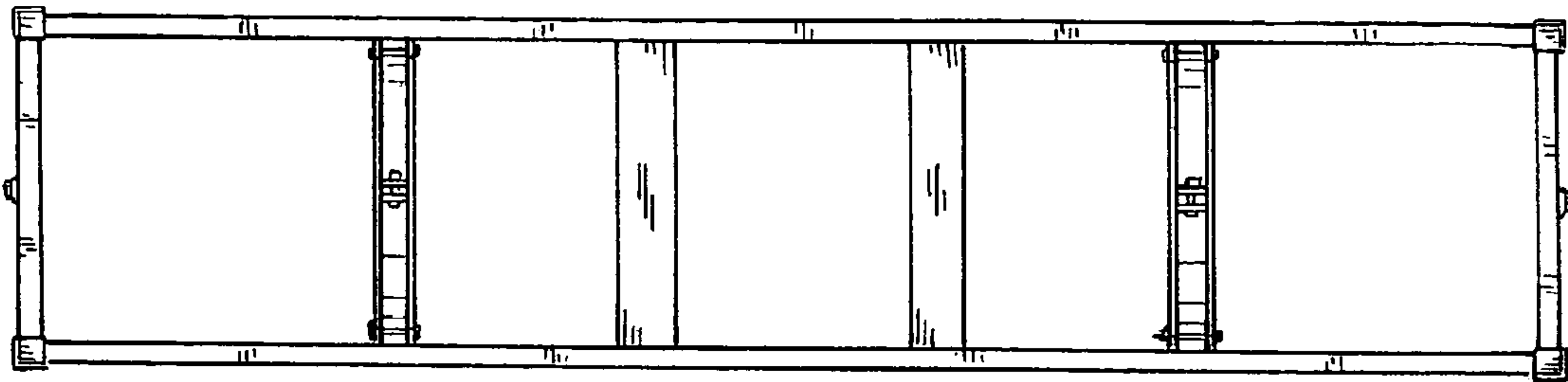


FIG-5

