



US00D568718S

(12) **United States Design Patent**  
**Janethana-arthakij**

(10) **Patent No.:** **US D568,718 S**

(45) **Date of Patent:** **\*\* May 13, 2008**

(54) **HOUSING FOR LOCK/KEY ASSEMBLY**

D531,883 S \* 11/2006 Cutler et al. .... D8/343

(76) Inventor: **Suvichai Janethana-arthakij**, 437 Moo  
2 Bangpakok, Ratburana, Bangkok  
10140 (TH)

\* cited by examiner

*Primary Examiner*—Mitchell Siegel  
(74) *Attorney, Agent, or Firm*—Pearne & Gordon LLP

(\*\*) Term: **14 Years**

(21) Appl. No.: **29/269,172**

(22) Filed: **Nov. 22, 2006**

(57) **CLAIM**

The ornamental design for a housing for lock/key assembly,  
as shown and described.

(30) **Foreign Application Priority Data**

Jun. 5, 2006 (TH) ..... 0602001468

**DESCRIPTION**

(51) **LOC (8) Cl.** ..... **08-07**

(52) **U.S. Cl.** ..... **D8/343**

(58) **Field of Classification Search** ..... D8/330-348;  
70/158, 163, 171, 419, 423-428, 455; 220/210,  
220/253

See application file for complete search history.

FIG. 1 is a front elevational view of a housing for lock/key  
assembly showing my new design;

FIG. 2 is a back elevational view thereof;

FIG. 3 is a right side elevational view thereof;

FIG. 4 is a left side elevational view thereof;

FIG. 5 is a top plan view thereof;

FIG. 6 is a bottom plan view thereof; and,

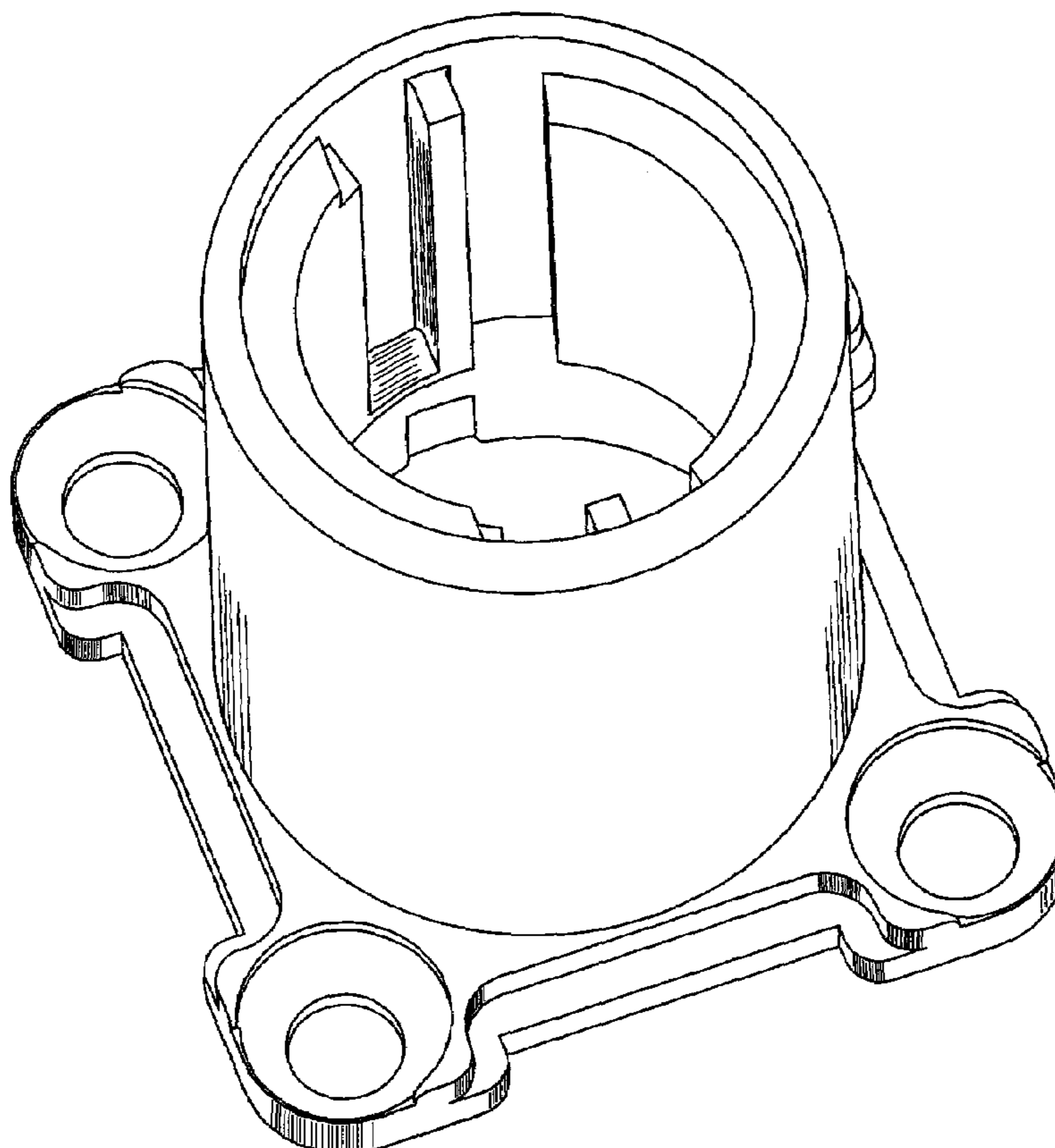
FIG. 7 is a perspective view thereof.

(56) **References Cited**

**U.S. PATENT DOCUMENTS**

4,986,097 A \* 1/1991 Derman ..... 70/158

**1 Claim, 7 Drawing Sheets**



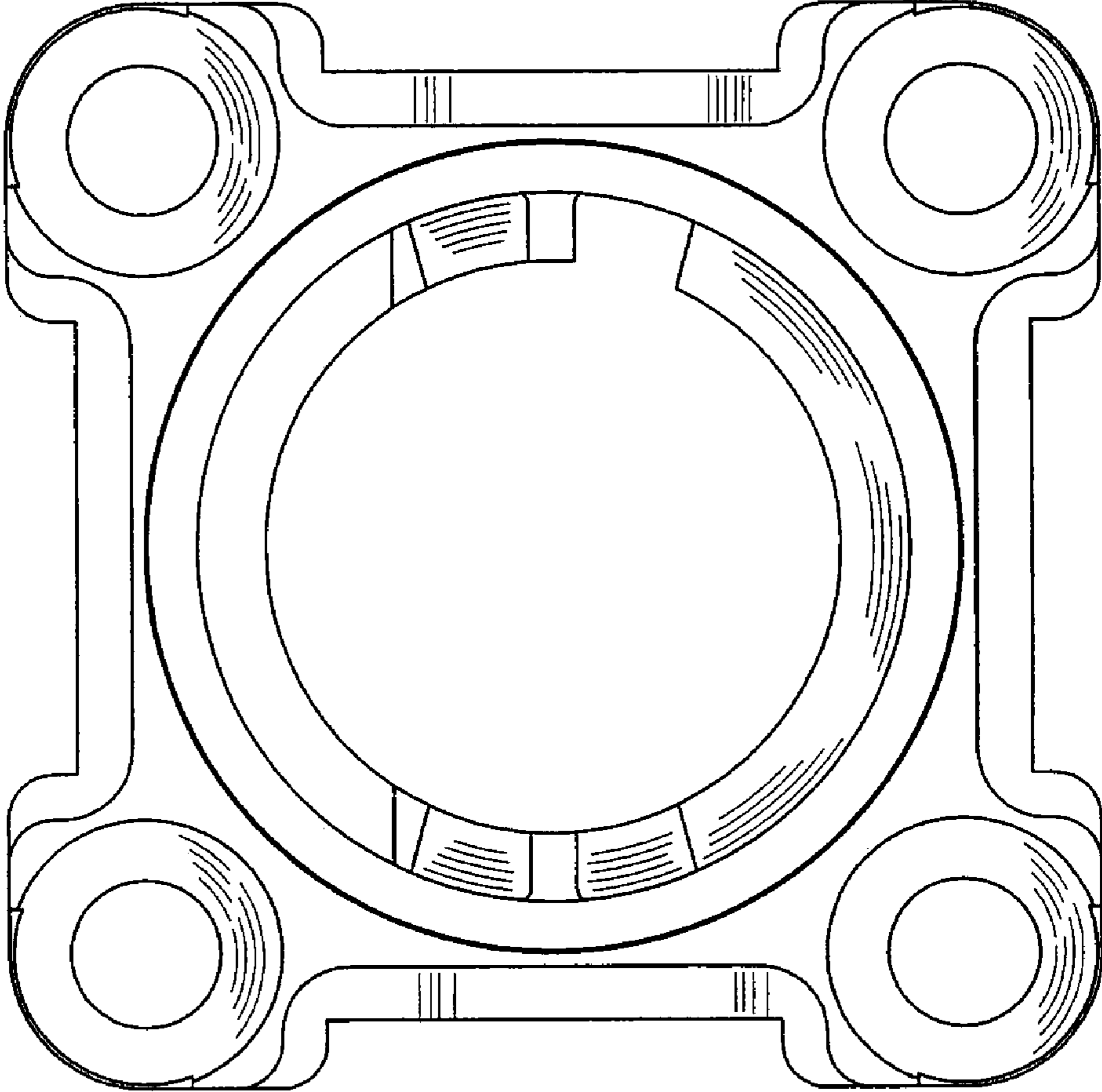


FIG. 1

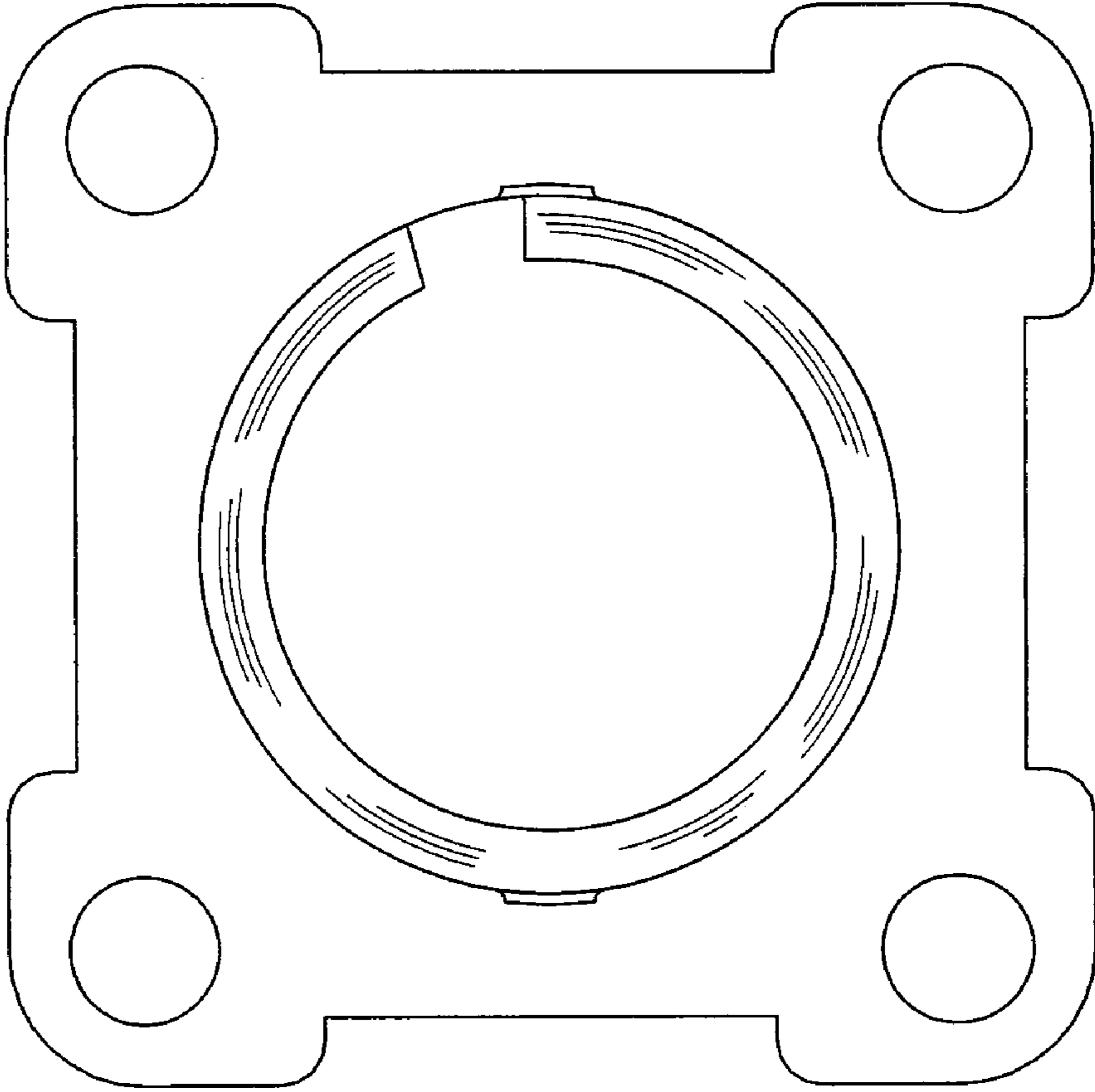


FIG. 2

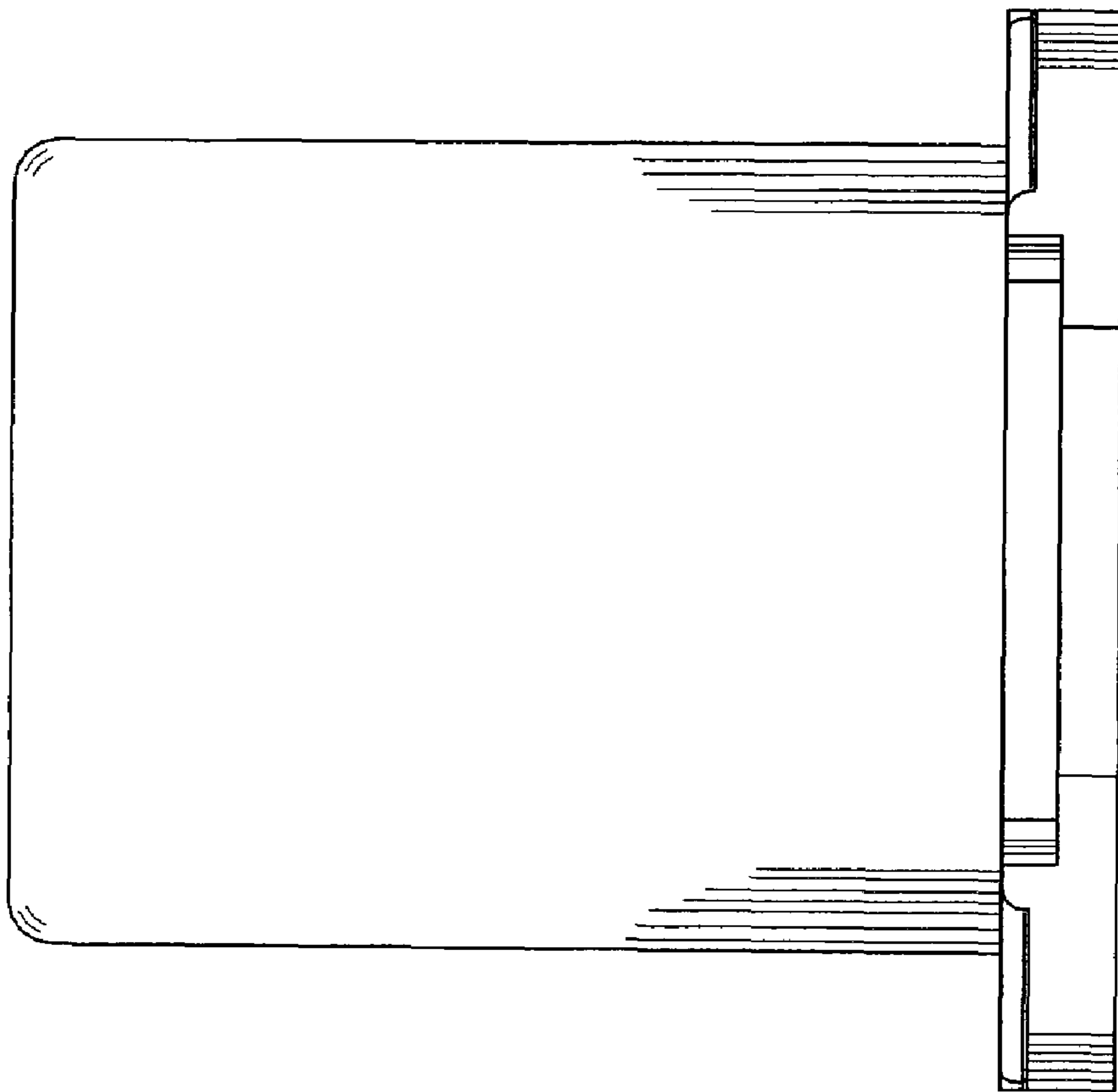


FIG. 3

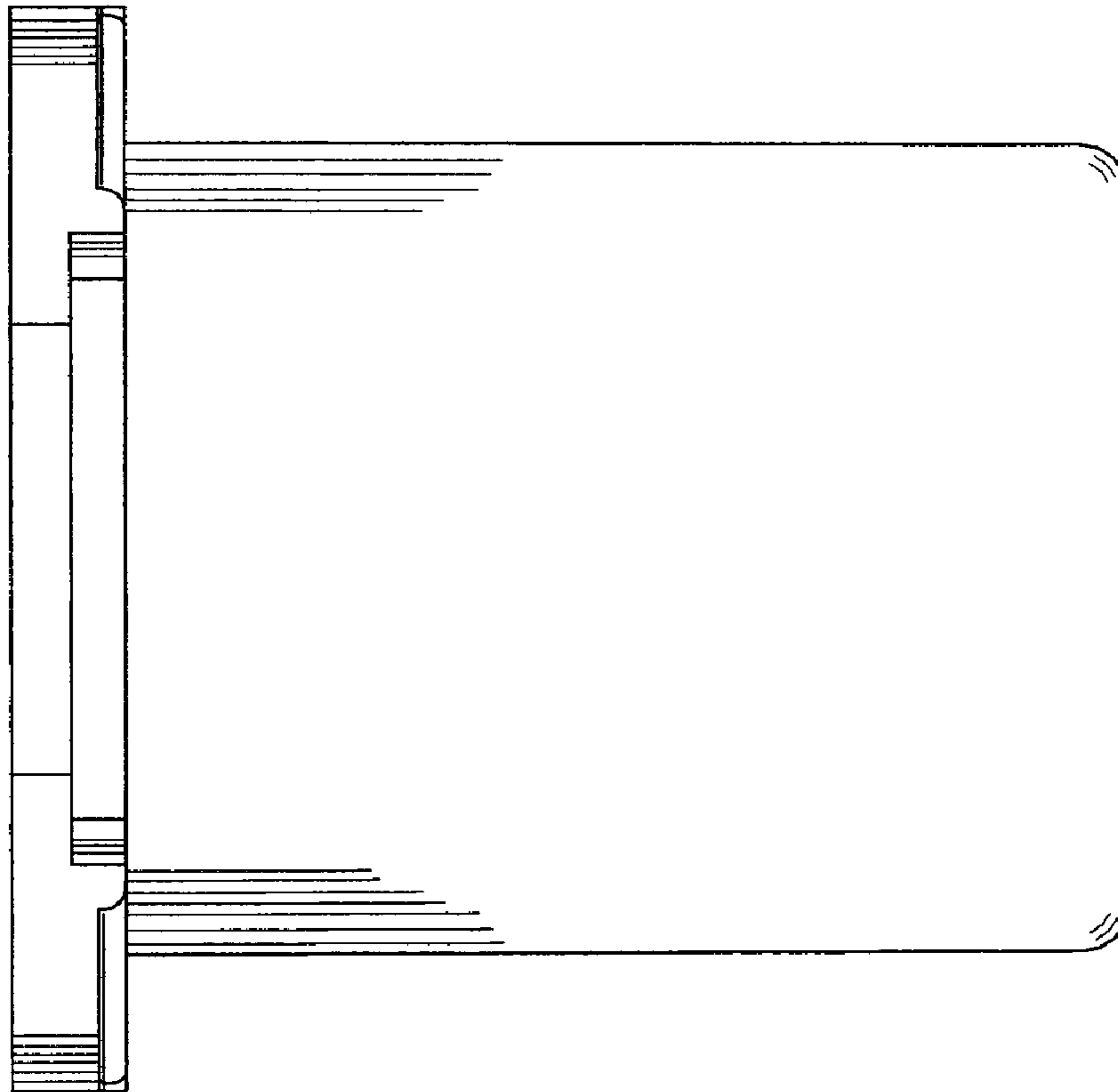


FIG. 4

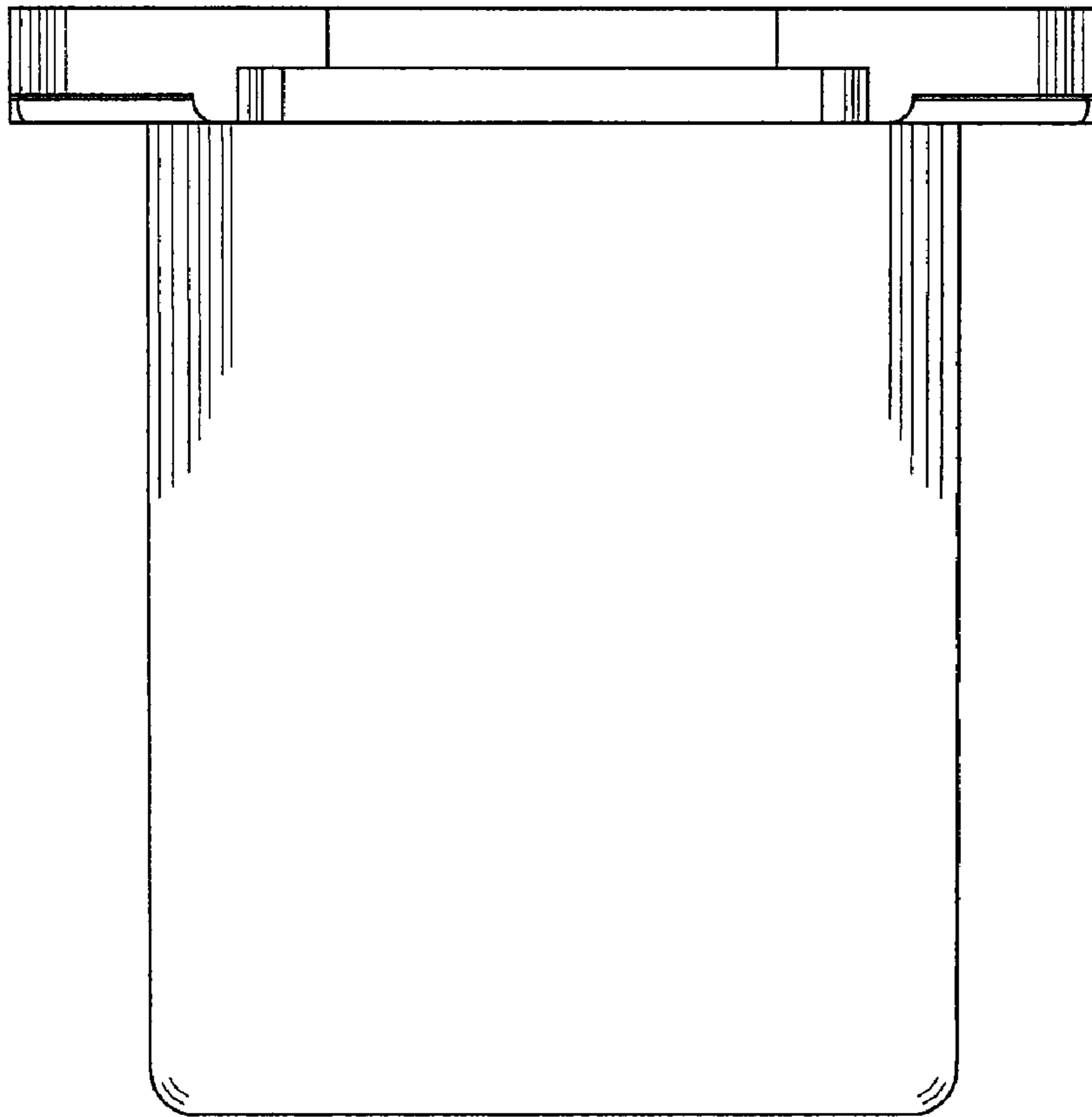


FIG. 5

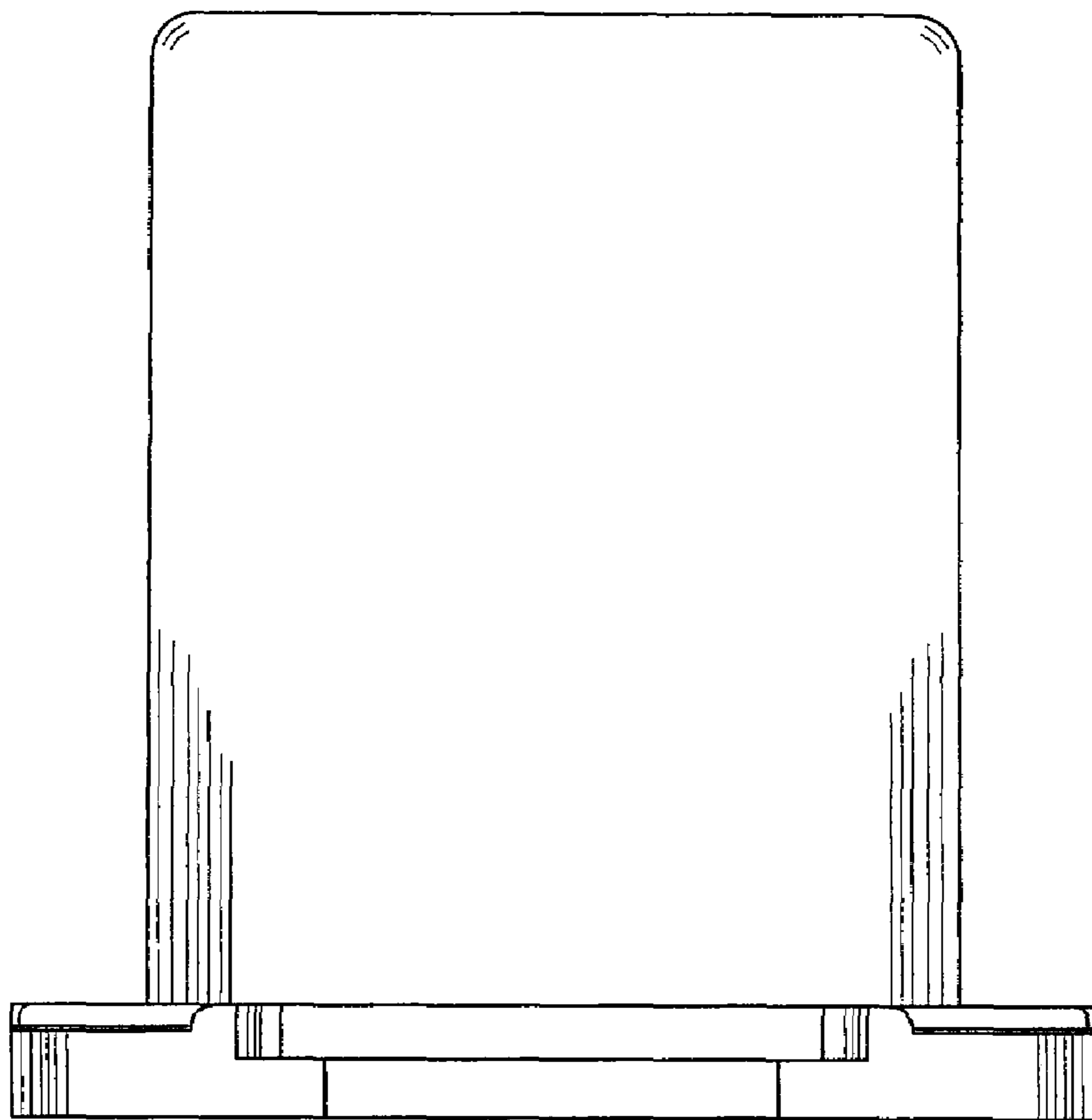


FIG. 6

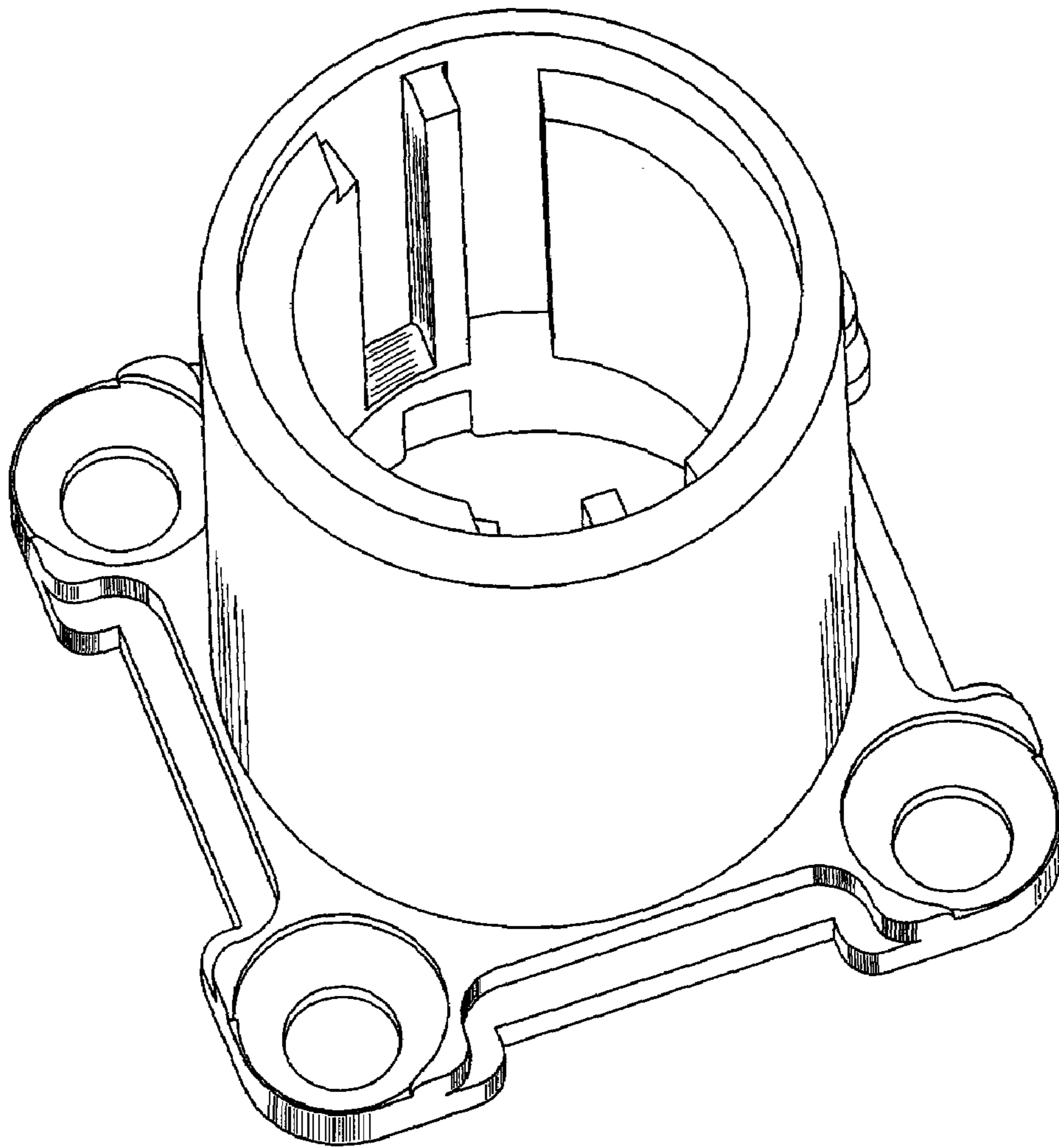


FIG. 7