



US00D568717S

(12) **United States Design Patent**  
**Longo et al.**

(10) **Patent No.:** **US D568,717 S**  
(45) **Date of Patent:** **\*\* May 13, 2008**

(54) **KEYPAD ESCUTCHEON**

(75) Inventors: **Anthony Longo**, Middlefield, CT (US);  
**James Robida**, Cobalt, CT (US);  
**Joseph Toro**, Stratford, CT (US);  
**Ronald S Slusarski**, Narragansett, RI  
(US); **Frank Czerwinski**, Berlin, CT  
(US); **Brian Fournier**, Canton, CT  
(US); **Kevin A Polak**, Southington, CT  
(US)

(73) Assignee: **Corbin Russwin, Inc.**, Berlin, CT (US)

(\*\*) Term: **14 Years**

(21) Appl. No.: **29/225,413**

(22) Filed: **Mar. 15, 2005**

(51) **LOC (8) Cl.** ..... **08-07**

(52) **U.S. Cl.** ..... **D8/341**

(58) **Field of Classification Search** ..... D8/330-348;  
292/169, 32, 139, 233; 70/107, 277, 279.1,  
70/218, 278.1; 340/5.33, 5.83

See application file for complete search history.

(56) **References Cited**

U.S. PATENT DOCUMENTS

D313,926 S \* 1/1991 Kautt ..... D8/301

(Continued)

*Primary Examiner*—Mitchell I Siegel

(74) *Attorney, Agent, or Firm*—DeLio & Peterson, LLC

(57) **CLAIM**

The ornamental design for a keypad escutcheon, as shown and described.

**DESCRIPTION**

FIG. 1 is a front view of a mortise lock keypad escutcheon according to the present invention.

FIG. 2 is a right side view of a mortise lock keypad escutcheon according to the present invention, the left side being substantially identical.

FIG. 3 is a back view of a mortise lock keypad escutcheon according to the present invention.

FIG. 4 is a top view of a mortise lock keypad escutcheon according to the present invention.

FIG. 5 is a bottom view of a mortise lock keypad escutcheon according to the present invention.

FIG. 6 is a front view of a cylindrical lock keypad escutcheon according to the present invention.

FIG. 7 is a right side view of a cylindrical lock keypad escutcheon according to the present invention, the left side being substantially identical.

FIG. 8 is a back view of a cylindrical lock keypad escutcheon according to the present invention.

FIG. 9 is a top view of a cylindrical lock keypad escutcheon according to the present invention.

FIG. 10 is a bottom view of a cylindrical lock keypad escutcheon according to the present invention.

FIG. 11 is a front view of an exit device keypad escutcheon according to the present invention.

FIG. 12 is a right side view of an exit device keypad escutcheon according to the present invention, the left side being substantially identical.

FIG. 13 is a back view of an exit device keypad escutcheon according to the present invention.

FIG. 14 is a top view of an exit device keypad escutcheon according to the present invention.

FIG. 15 is a bottom view of an exit device keypad escutcheon according to the present invention.

FIG. 16 is a front view of a mortise replacement lock keypad escutcheon according to the present invention.

FIG. 17 is a right side view of a mortise replacement lock keypad escutcheon according to the present invention, the left side being substantially identical.

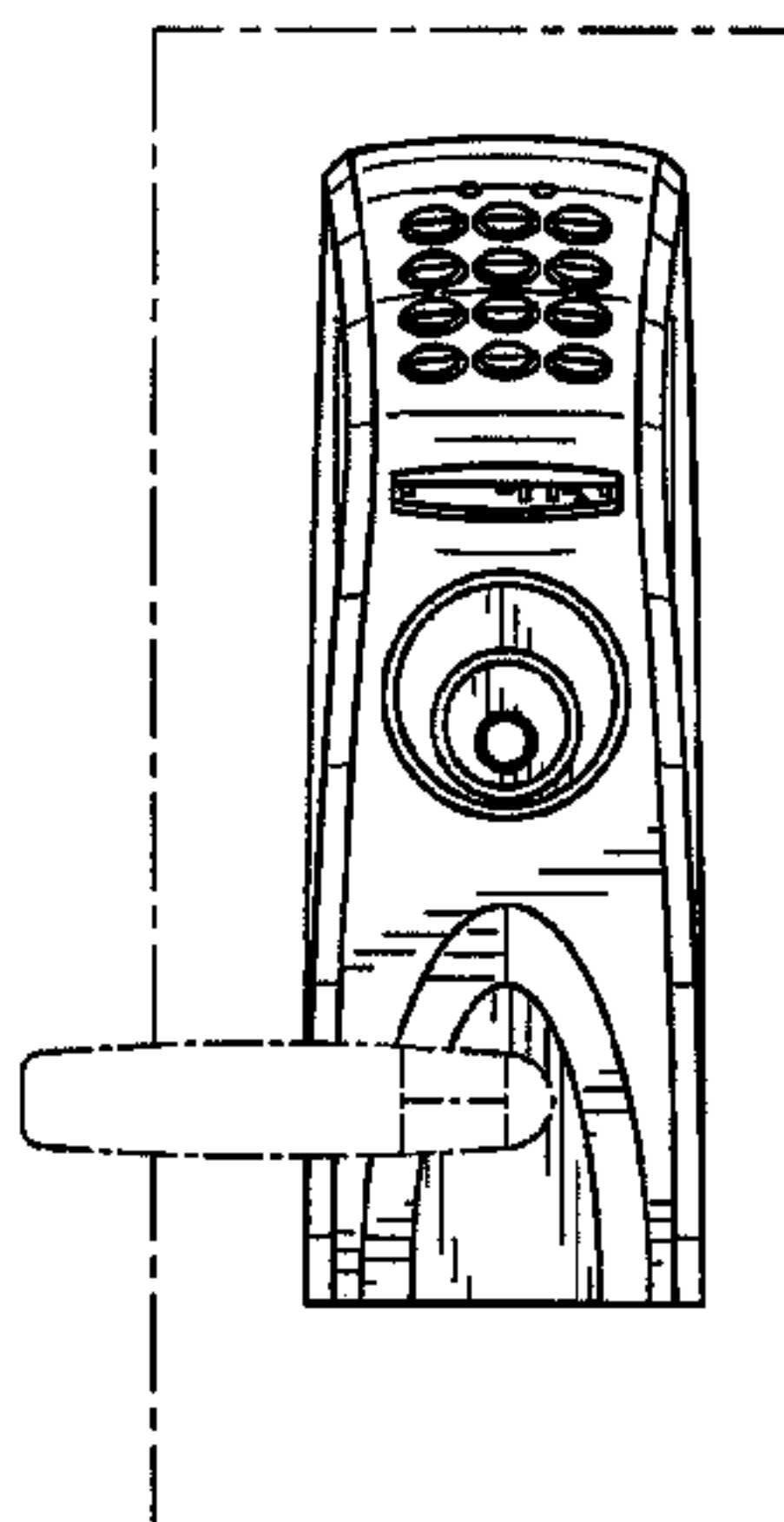
FIG. 18 is a back view of a mortise replacement lock keypad escutcheon according to the present invention.

FIG. 19 is a top view of a mortise replacement lock keypad escutcheon according to the present invention; and,

FIG. 20 is a bottom view of a mortise replacement lock keypad escutcheon according to the present invention.

The broken line showing is included for the purpose of illustrating and forms no part of the claimed design.

**1 Claim, 8 Drawing Sheets**



# US D568,717 S

Page 2

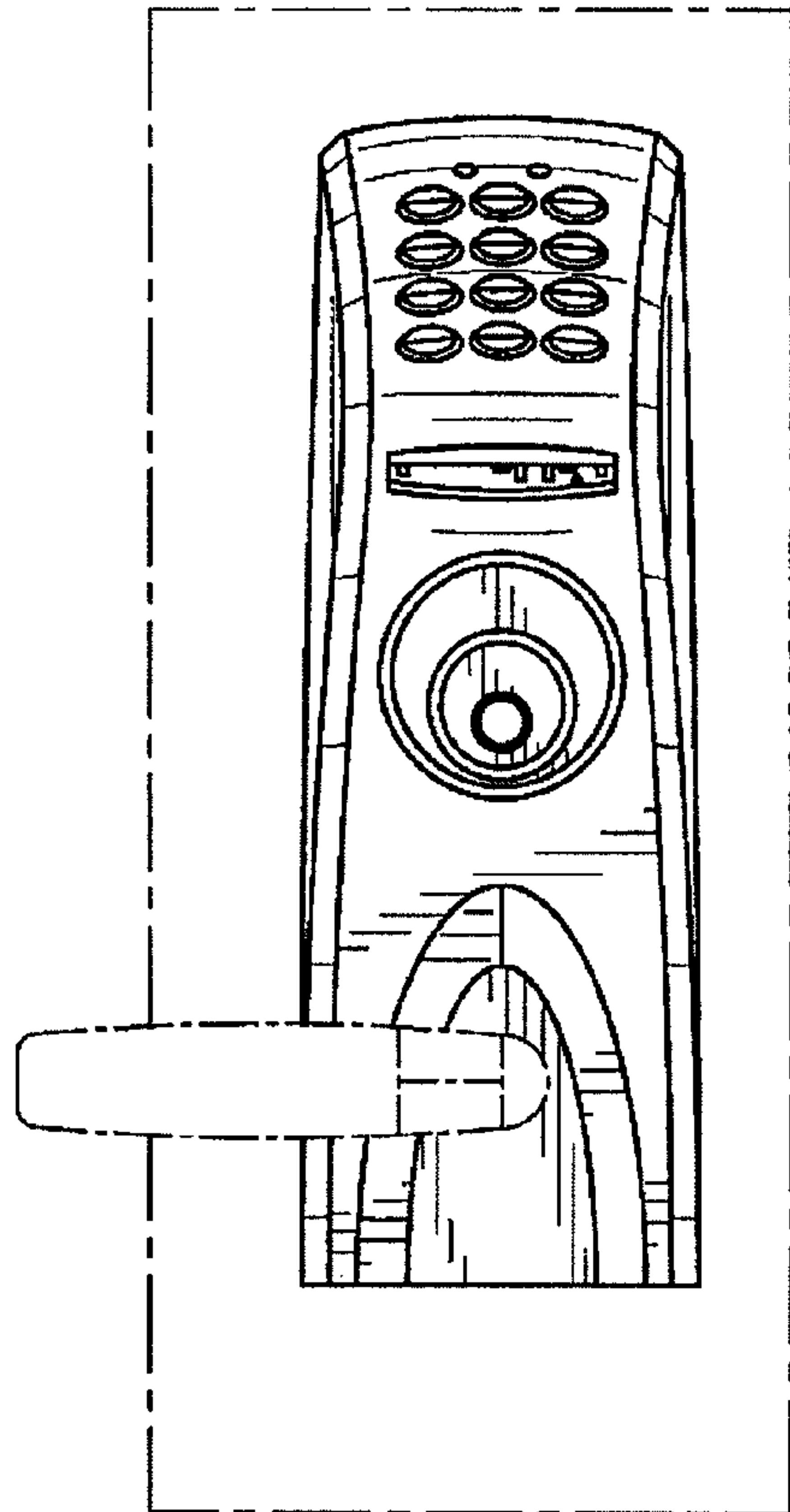
---

## U.S. PATENT DOCUMENTS

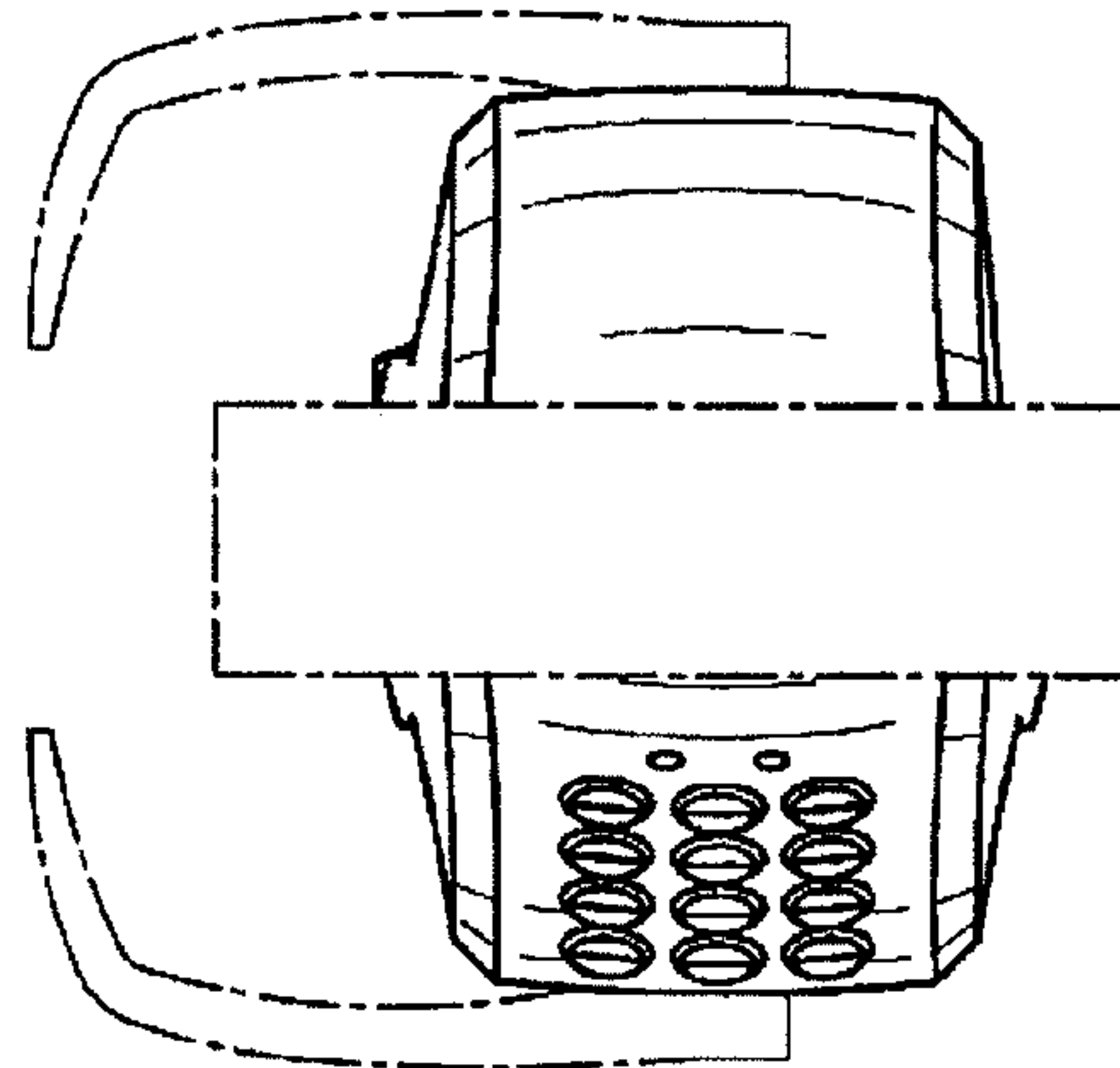
5,245,329	A *	9/1993	Gokcebay	.....	340/5.33	D479,682	S *	9/2003	Frolov et al.	.....	D8/331
5,475,996	A *	12/1995	Chen	.....	70/279.1	6,733,050	B1 *	5/2004	Yao	.....	292/169
D365,976	S *	1/1996	Chiu	.....	D8/330	D501,131	S *	1/2005	Oskamp et al.	.....	D8/331
5,987,945	A *	11/1999	Ruano Aramburu	.....	70/277	D502,859	S *	3/2005	Peng et al.	.....	D8/331
6,041,410	A *	3/2000	Hsu et al.	.....	713/186	D553,949	S *	10/2007	Luo	.....	D8/338
D470,033	S	2/2003	Fleury et al.			D558,026	S *	12/2007	Luo	.....	D8/338
D474,103	S	5/2003	Kaiser et al.			2005/0036665	A1 *	2/2005	Higuchi	.....	382/124

\* cited by examiner

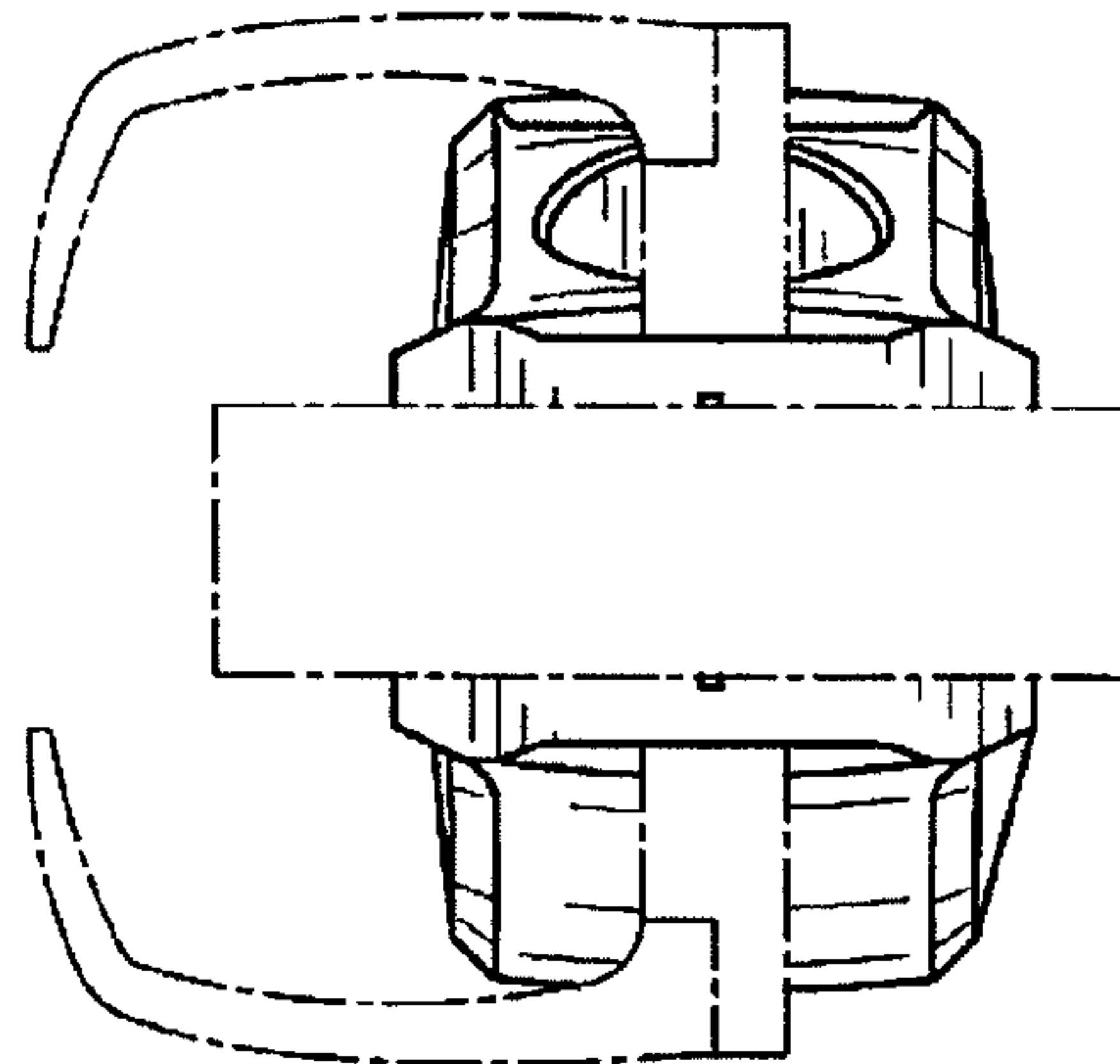
**FIG. 1**



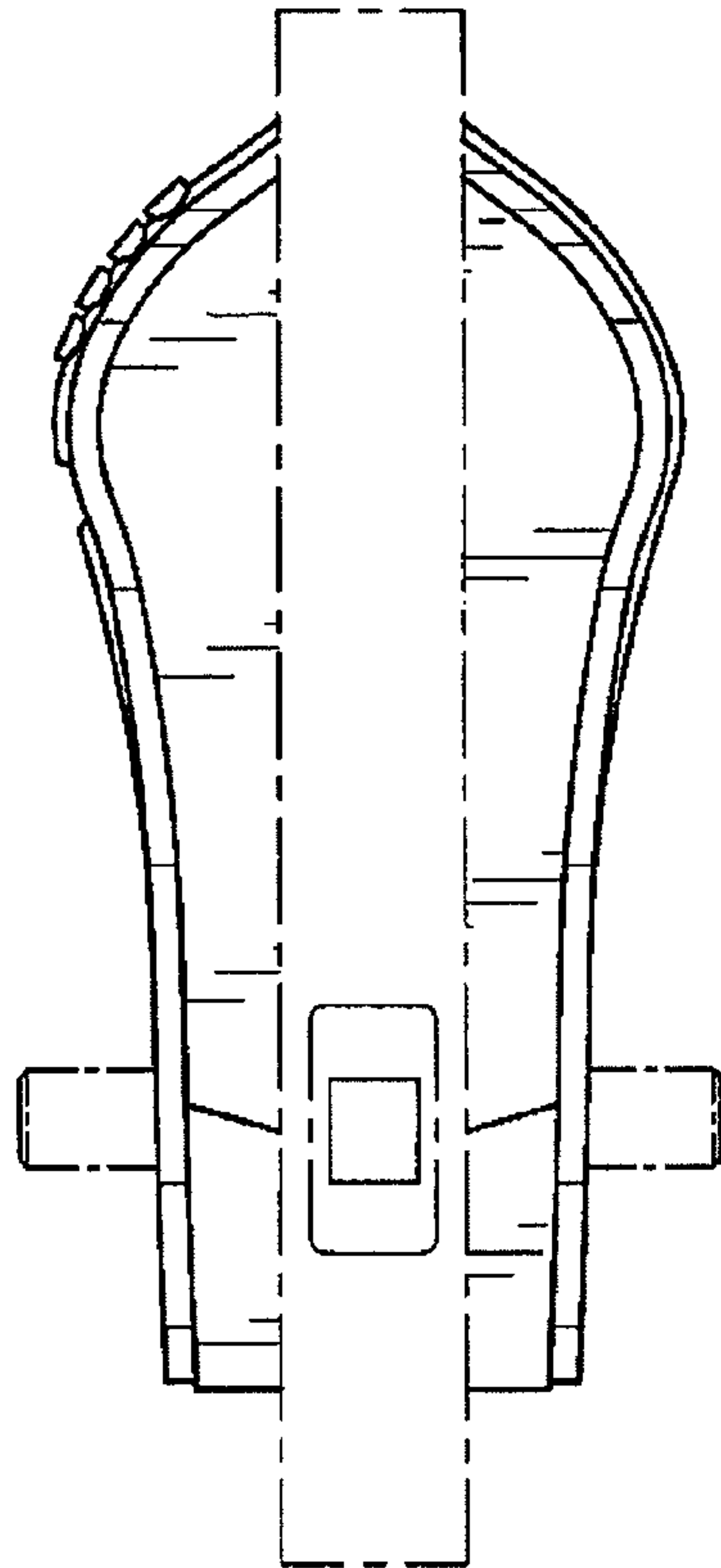
**FIG. 4**



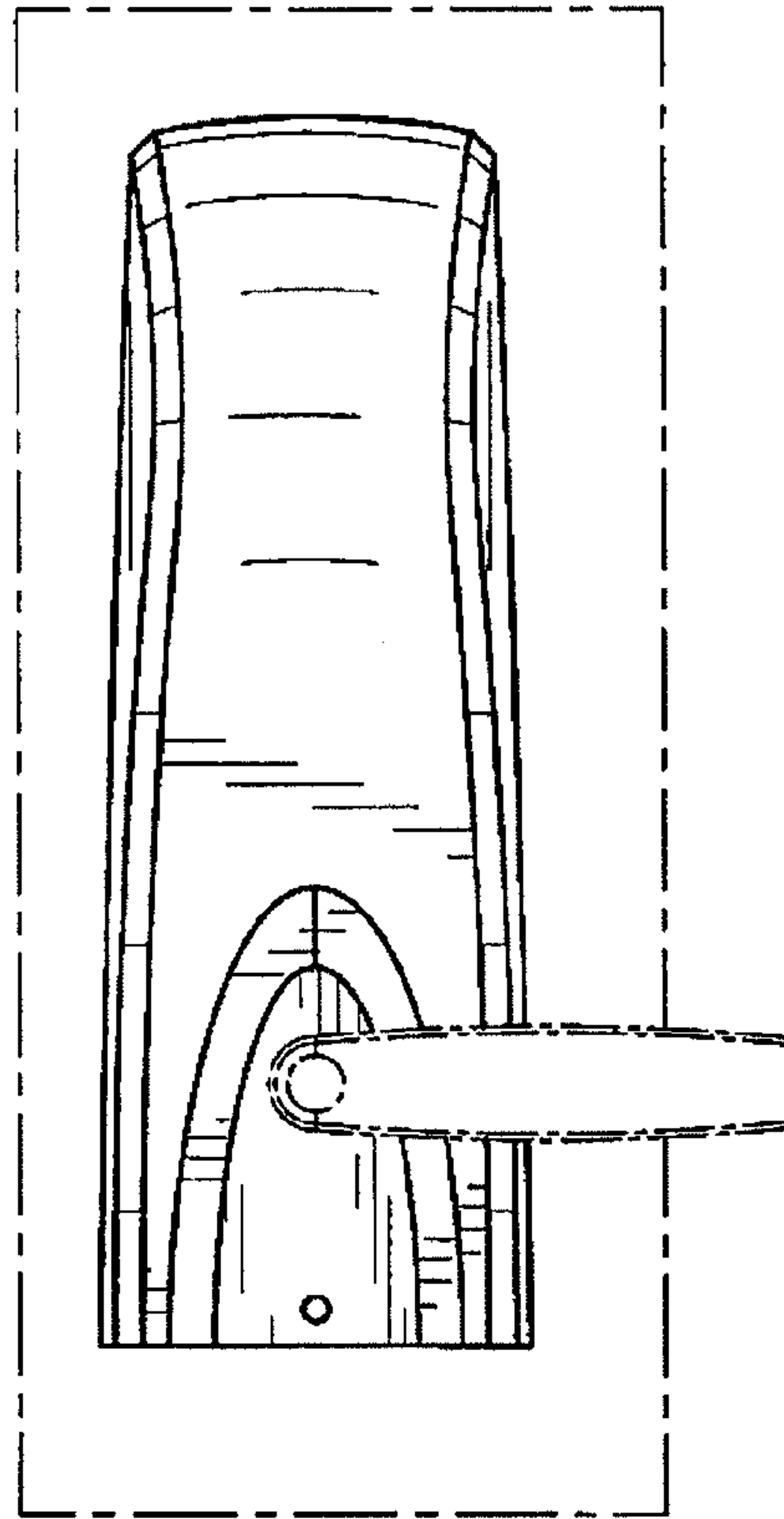
**FIG. 5**



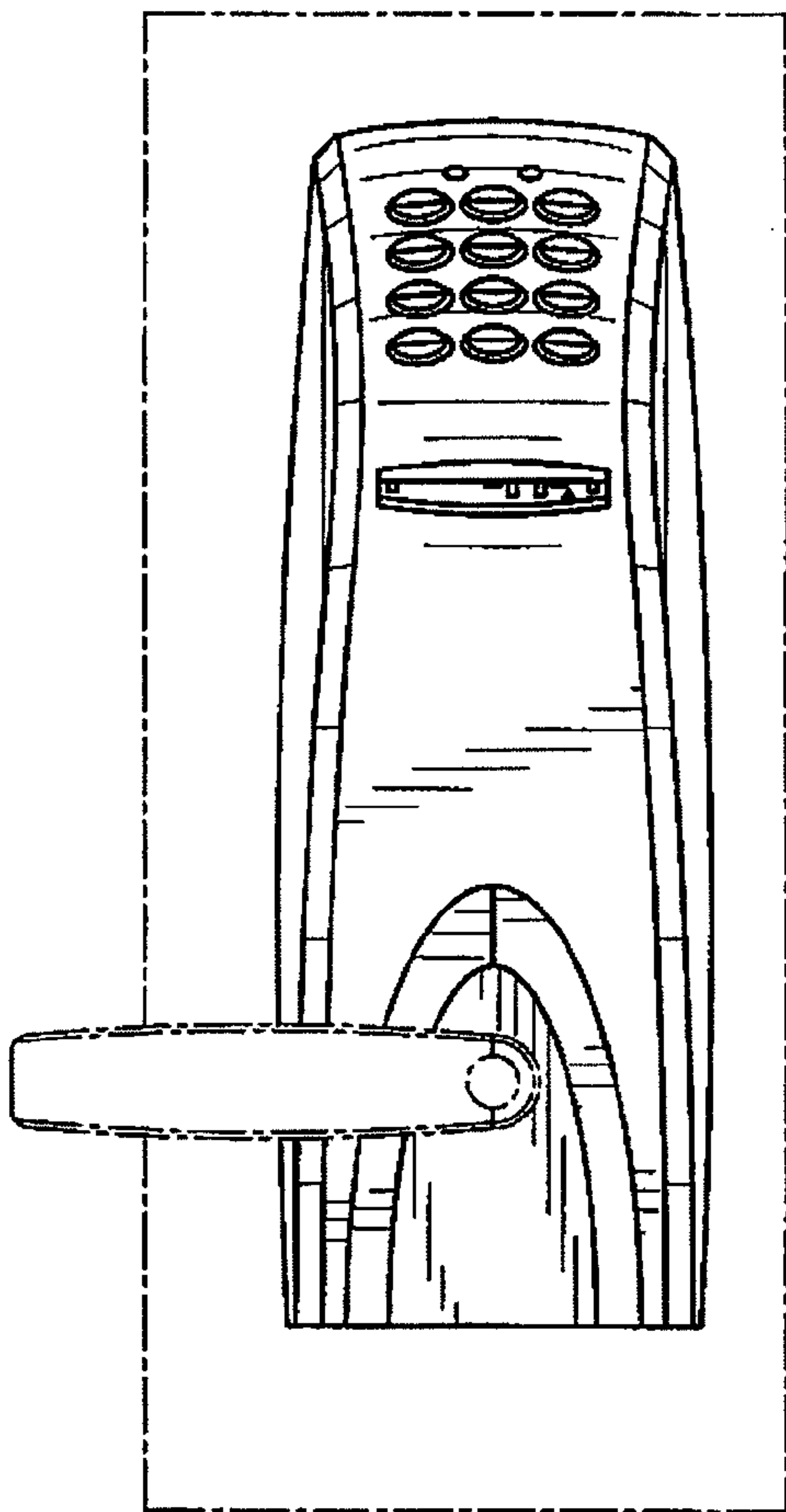
**FIG.2**



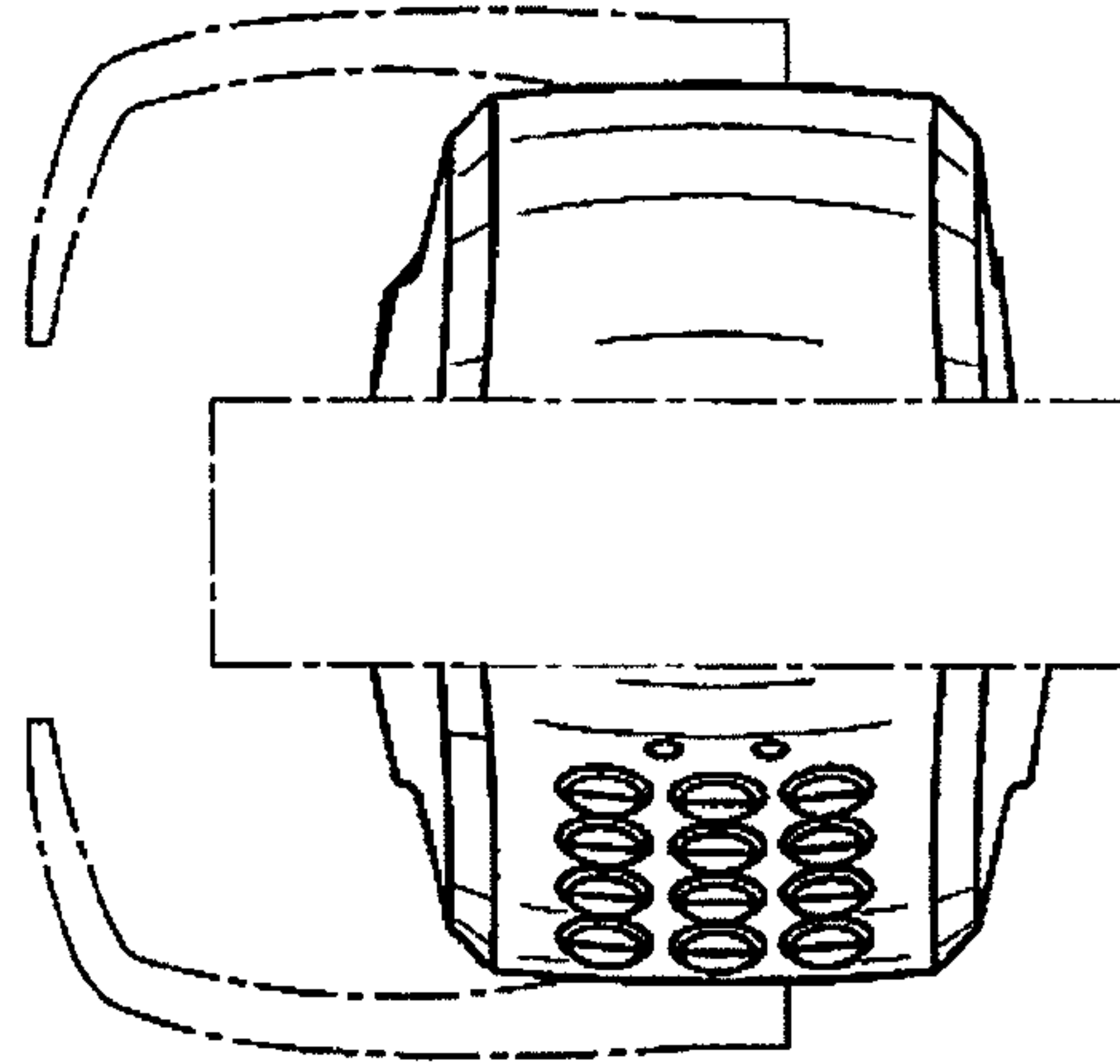
**FIG.3**



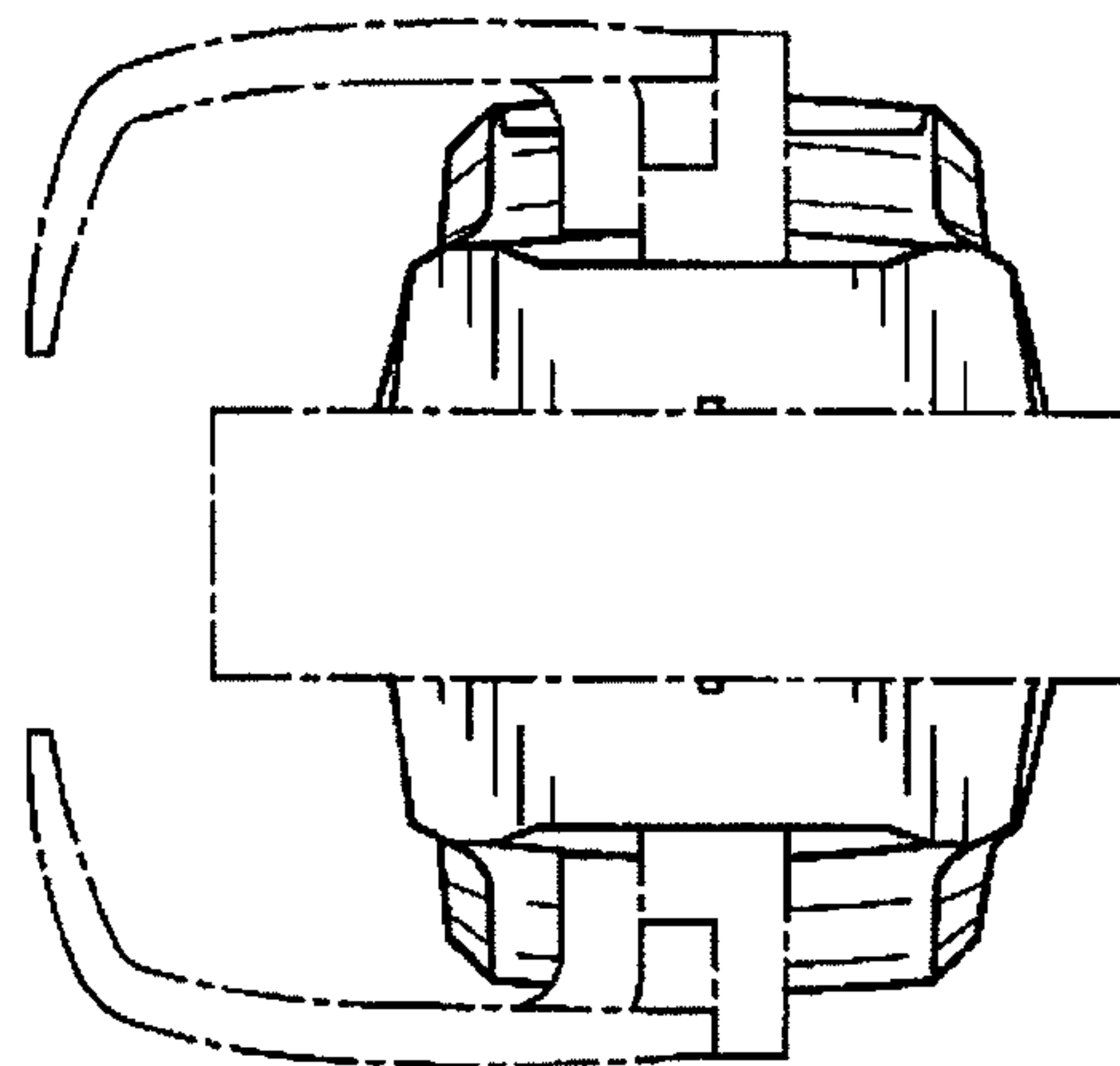
**FIG.6**



**FIG.9**

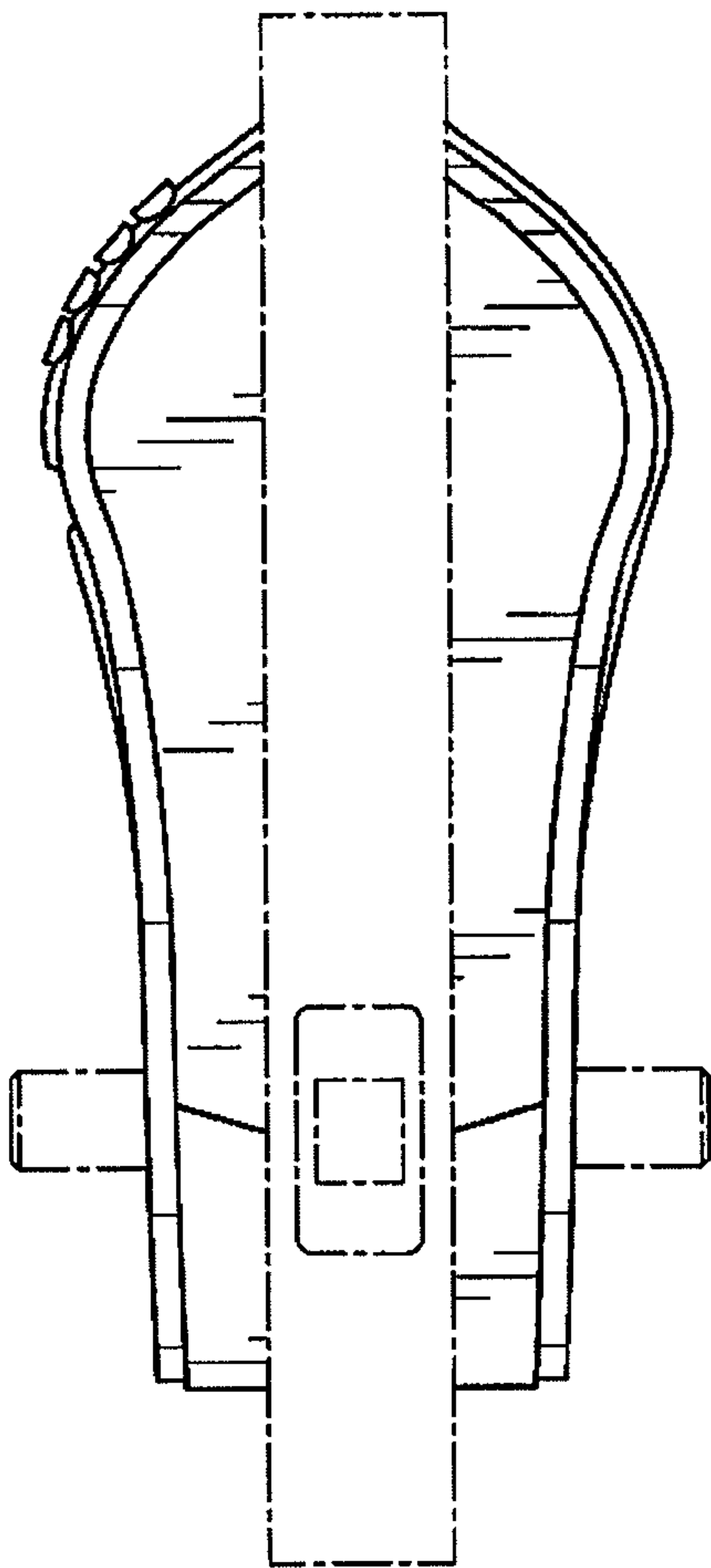


**FIG.10**

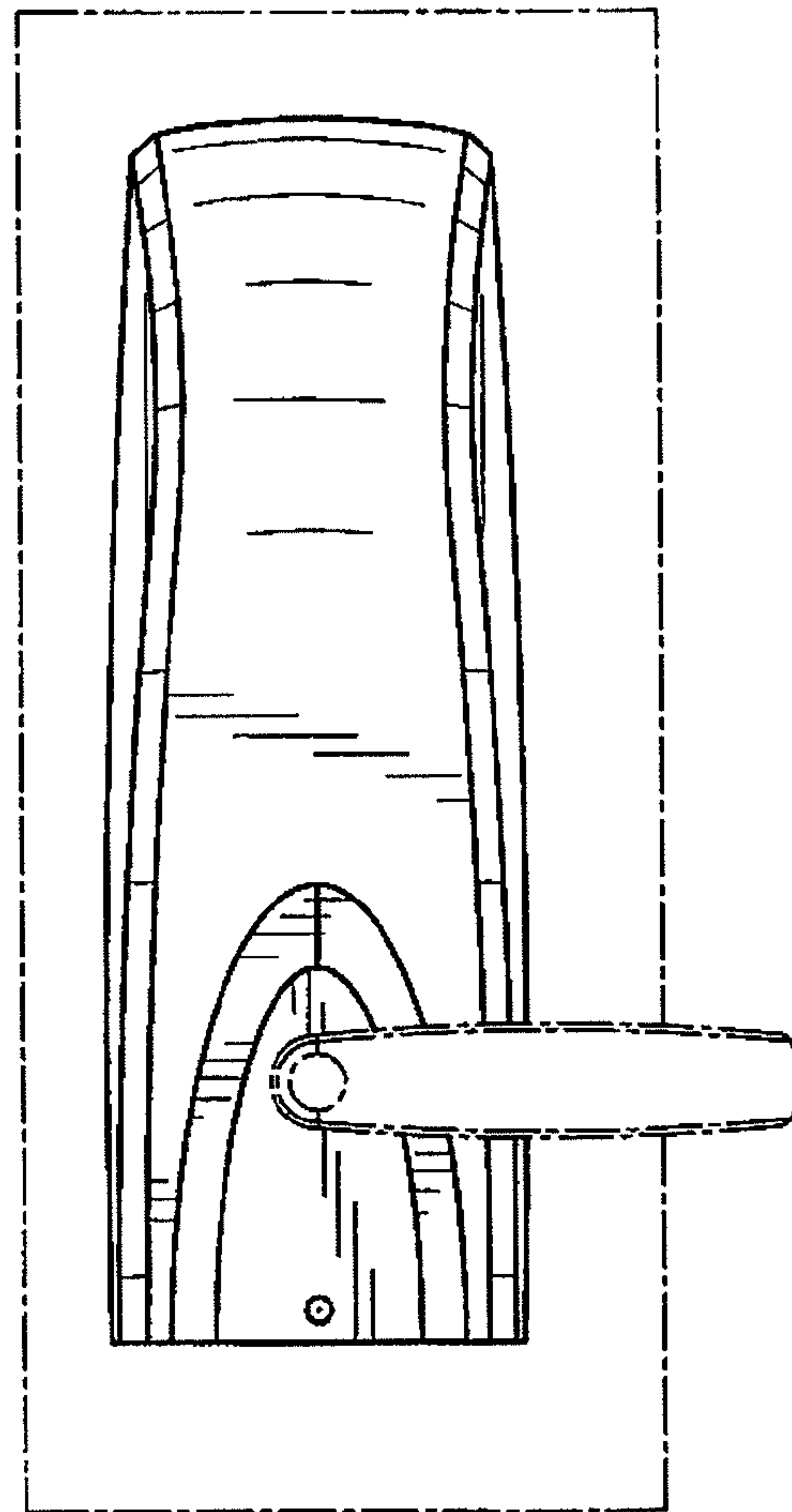


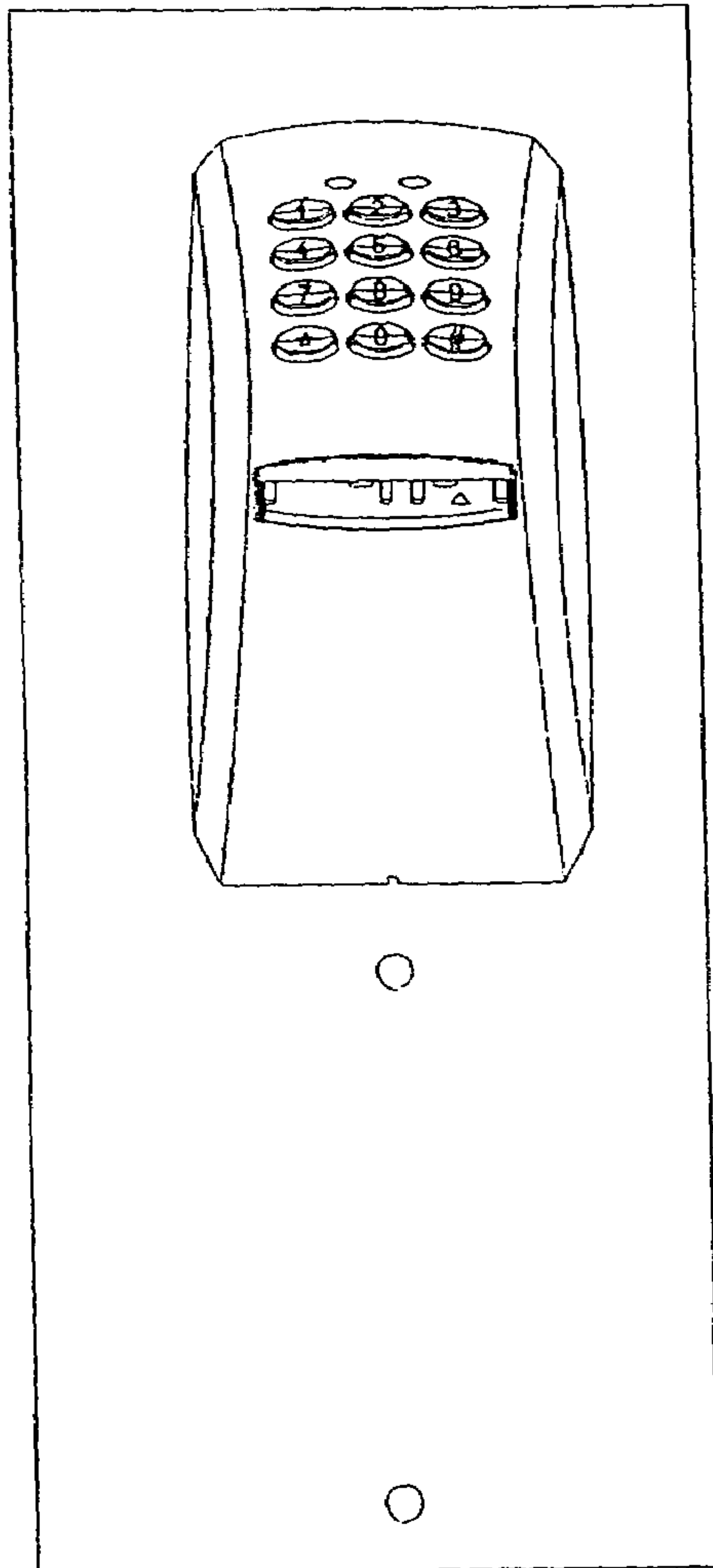


**FIG.7**

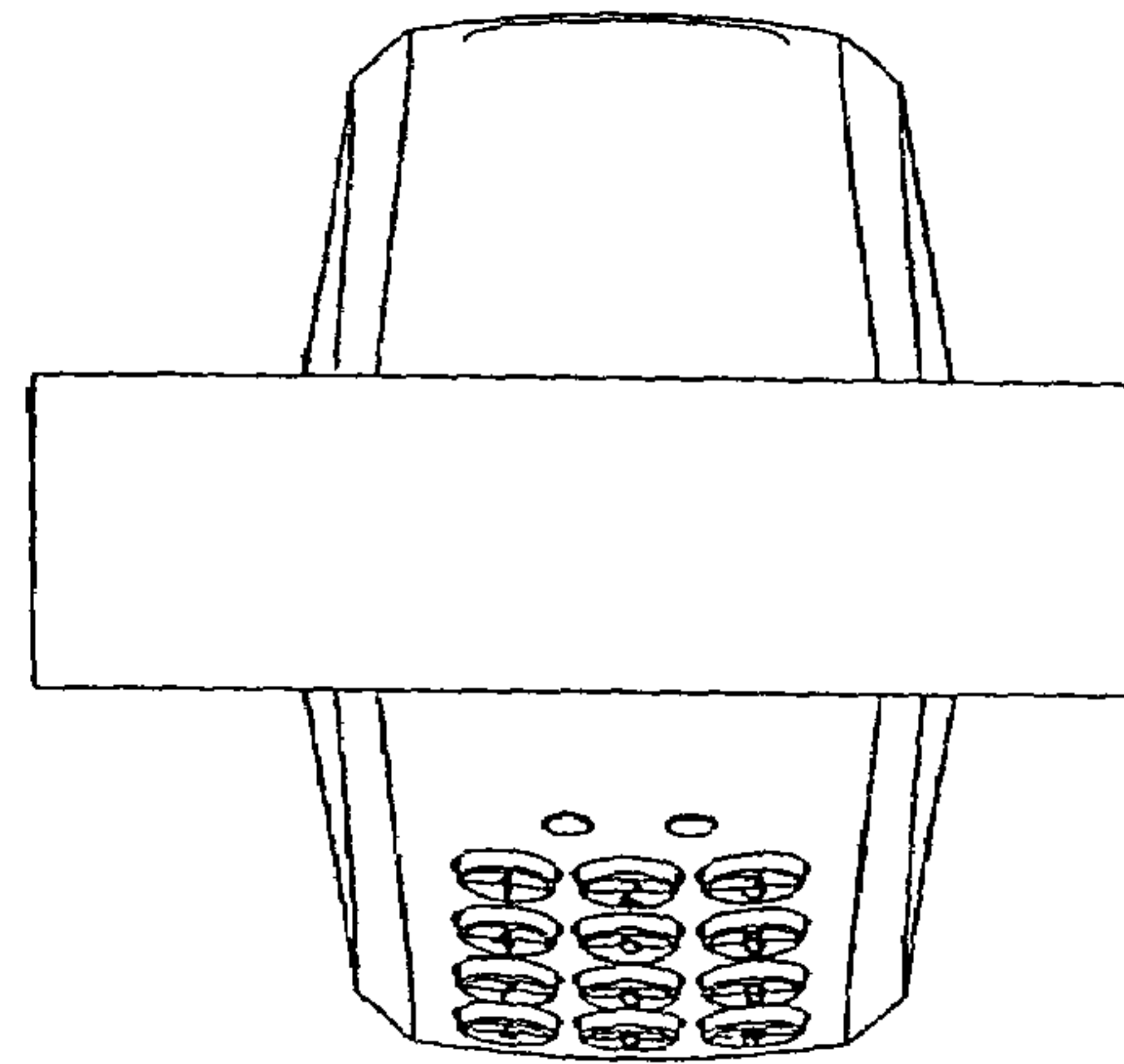


**FIG.8**

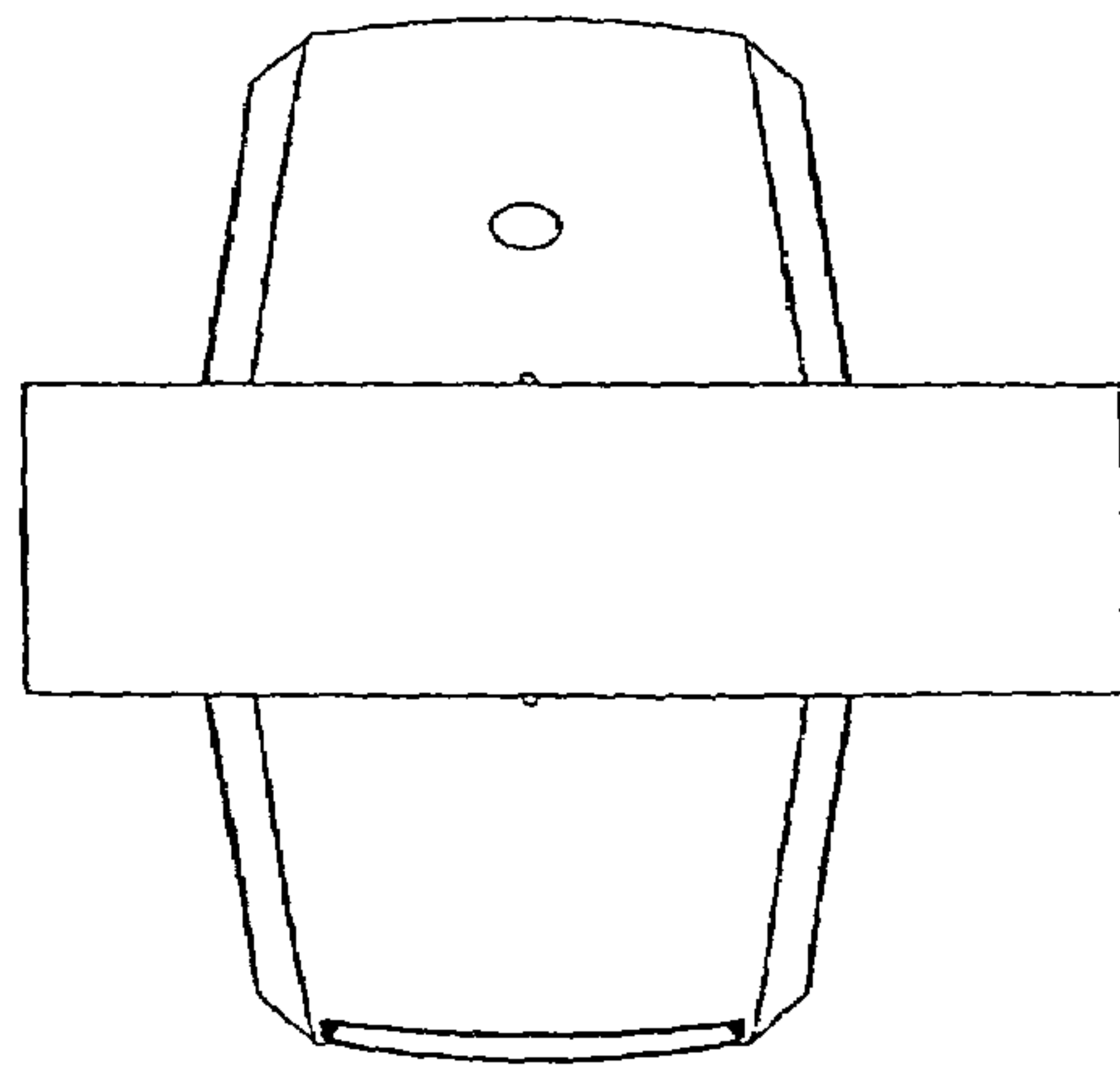




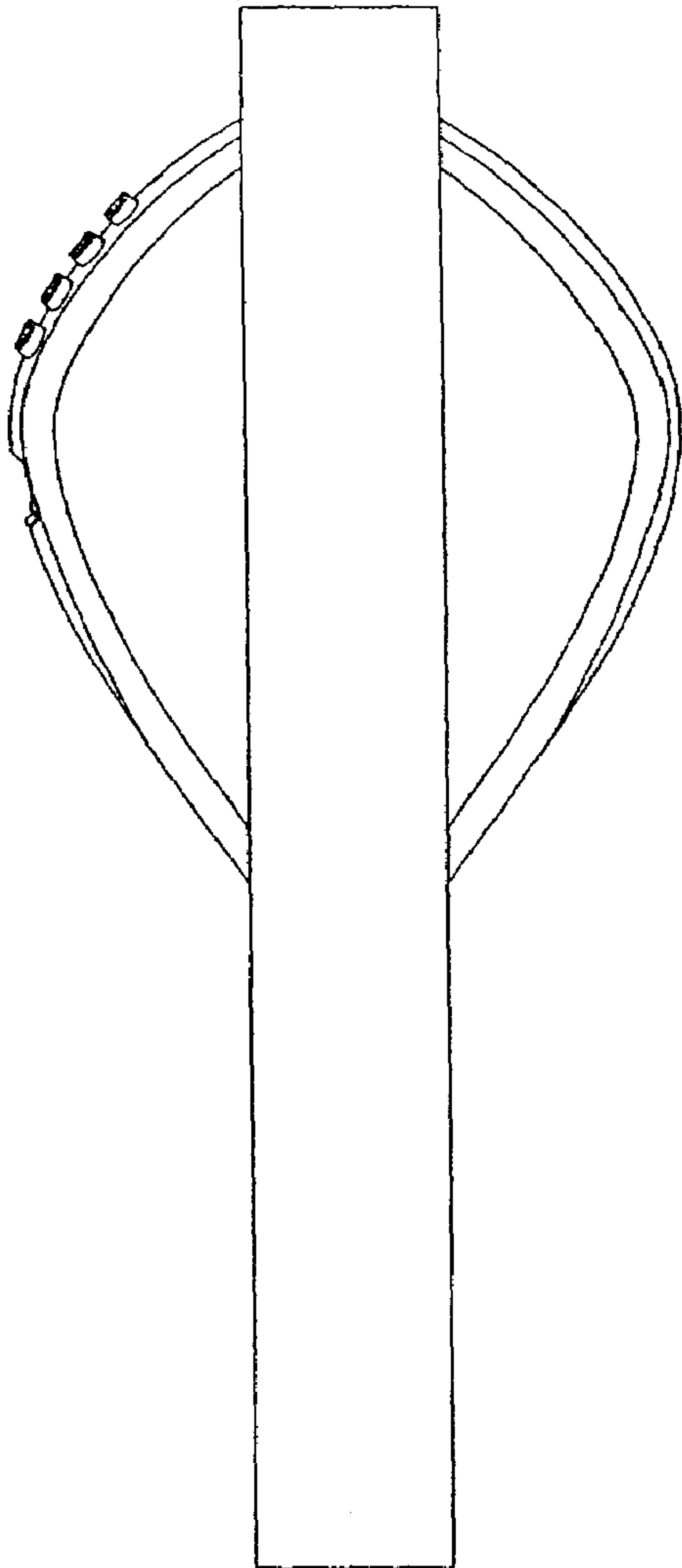
*Fig. 11*



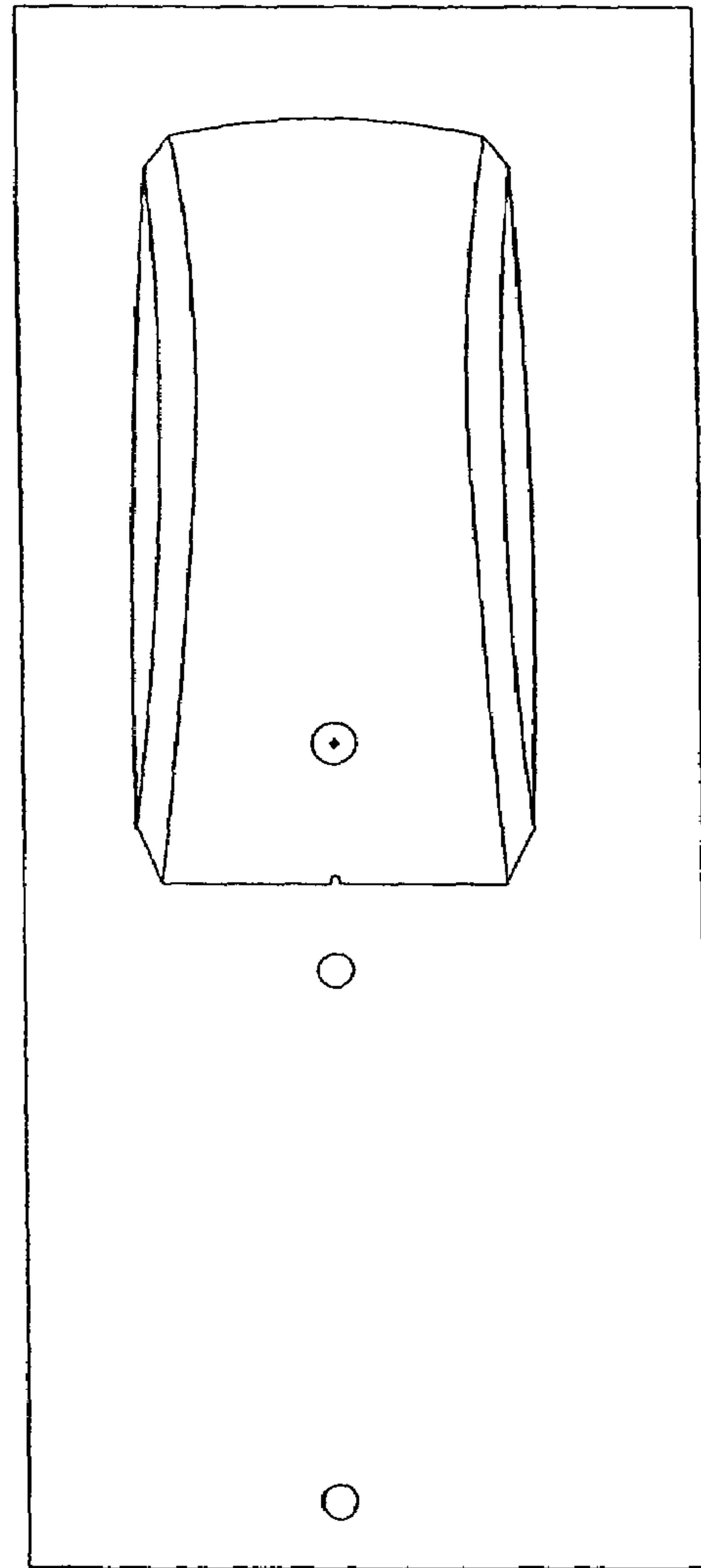
*Fig. 14*



*Fig. 15*

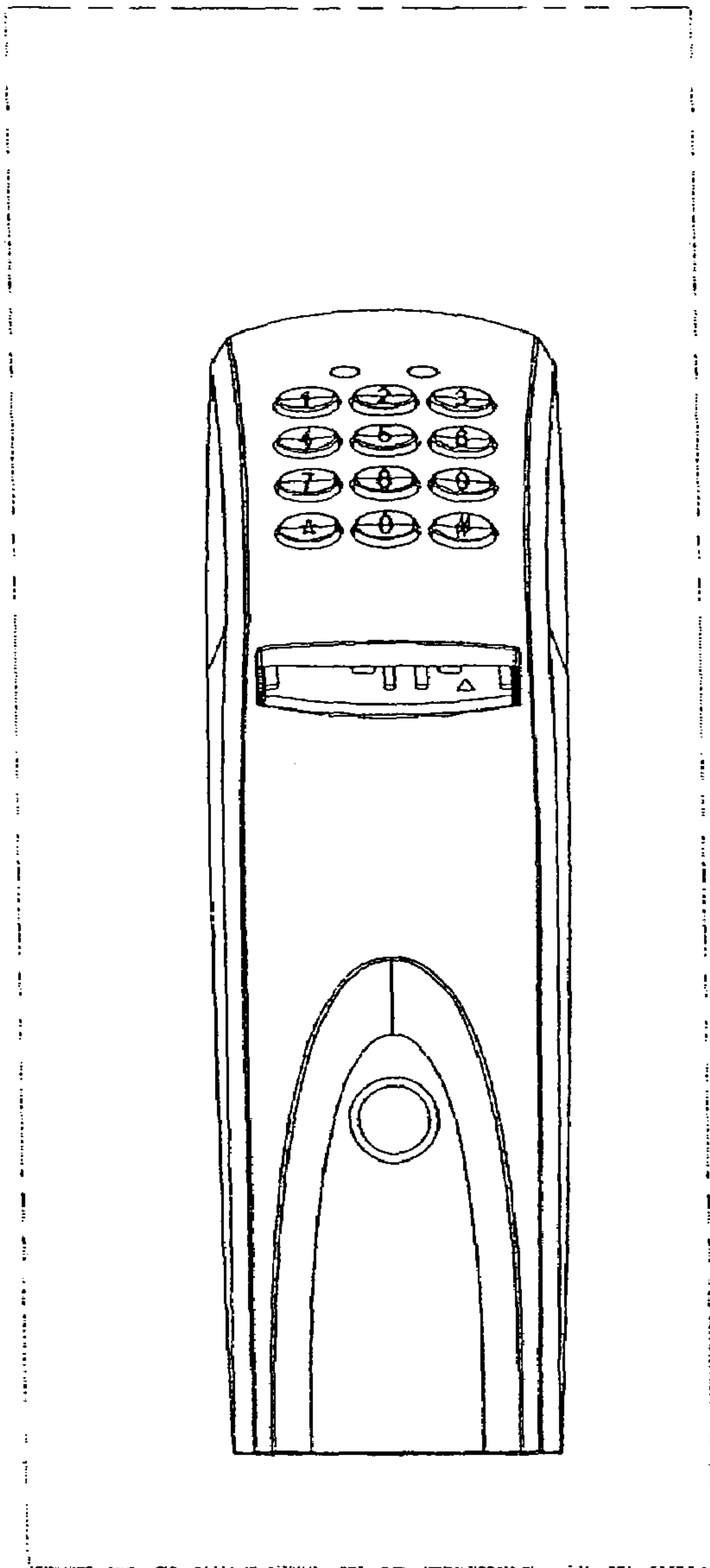


*Fig. 12*

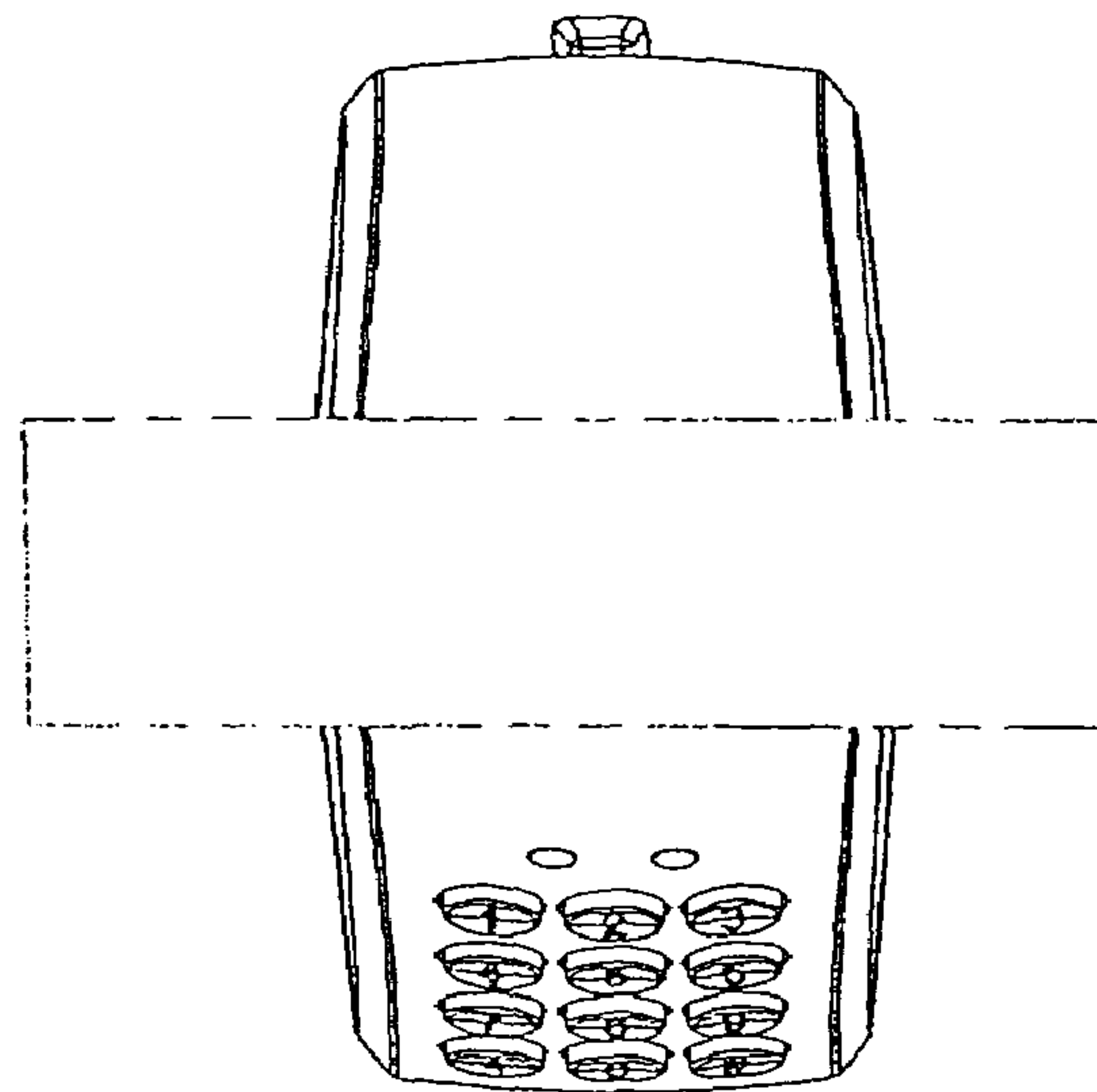


*Fig. 13*

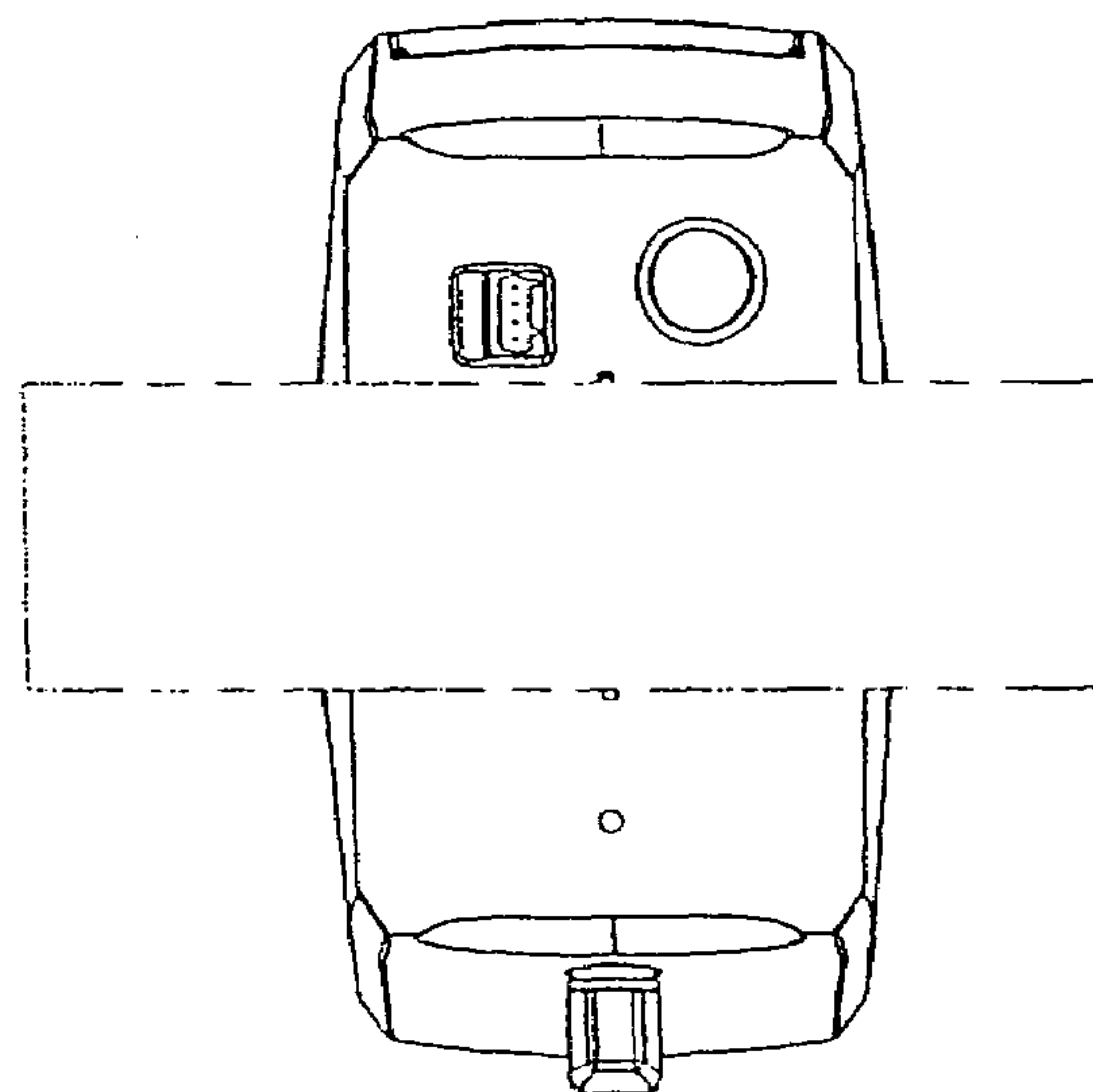




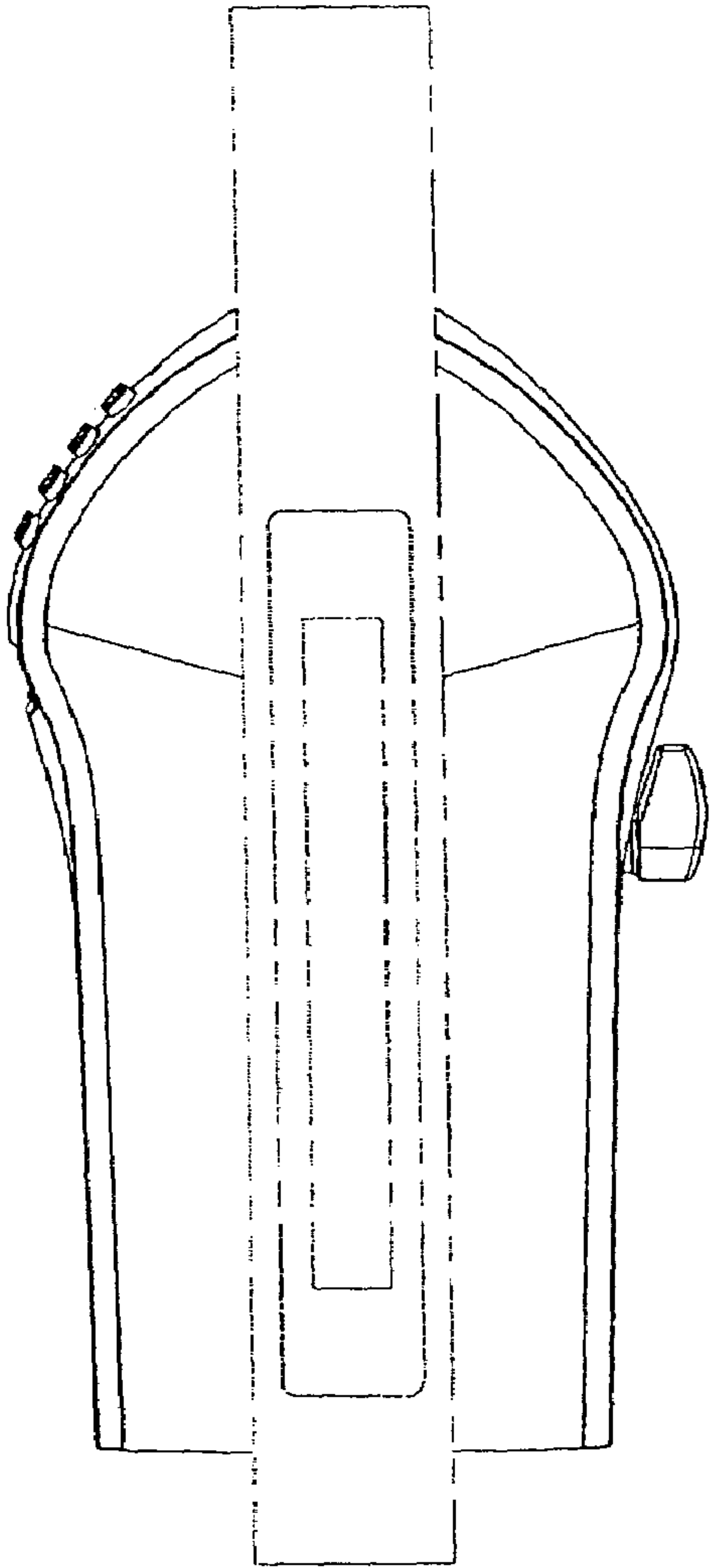
*Fig. 16*



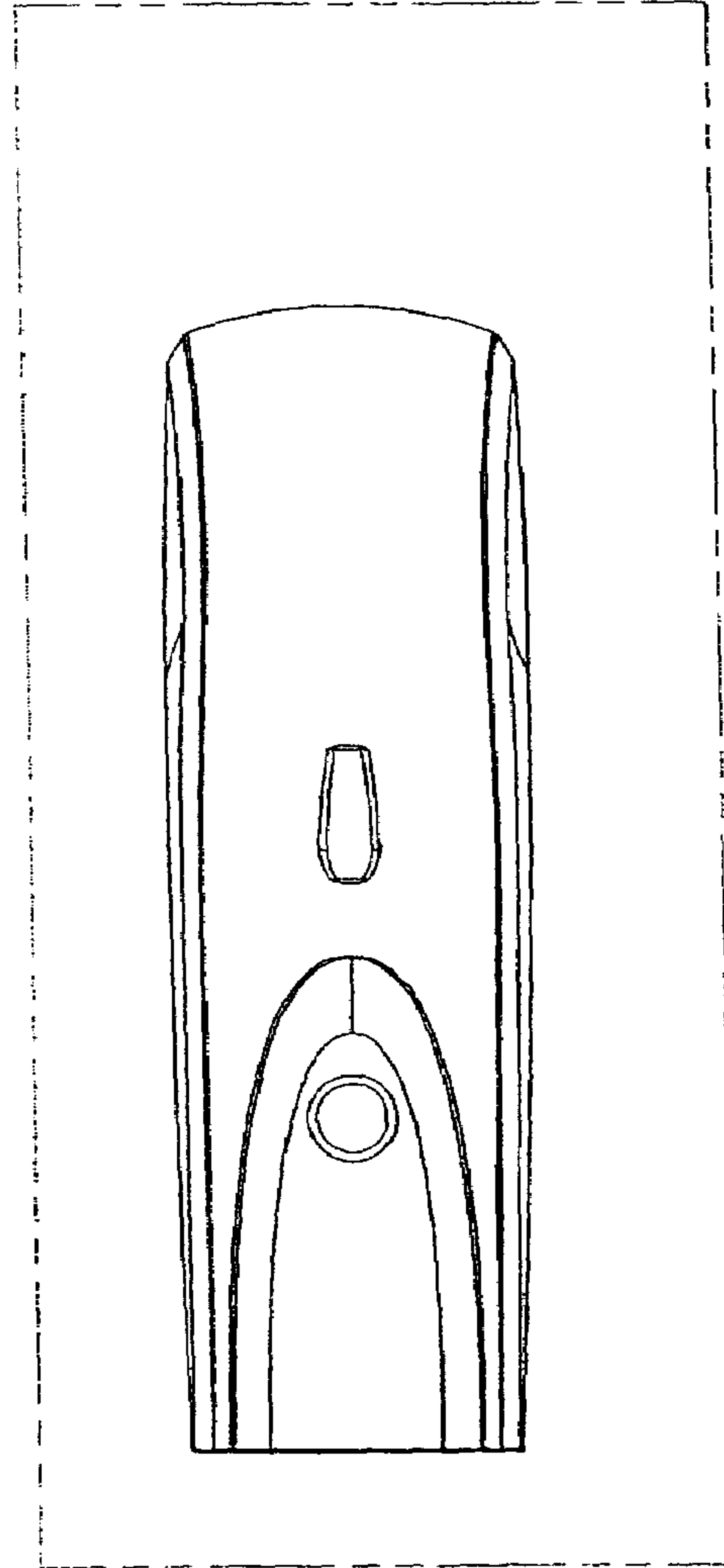
*Fig. 19*



*Fig. 20*



*Fig. 17*



*Fig. 18*