



US00D568716S

(12) **United States Design Patent**
Littrell et al.

(10) **Patent No.:** **US D568,716 S**
(45) **Date of Patent:** **** May 13, 2008**

(54) **BOLT SEAT**

(75) Inventors: **Paul A. Littrell**, Fort Wayne, IN (US);
Wanda K. Beard, Angola, IN (US);
David L. Gilbert, Fort Wayne, IN (US)

(73) Assignee: **Brammall, Inc.**, Angola, IN (US)

(**) Term: **14 Years**

(21) Appl. No.: **29/296,715**

(22) Filed: **Oct. 26, 2007**

Related U.S. Application Data

(62) Division of application No. 29/259,169, filed on May 4, 2006, now Pat. No. Des. 563,765.

(51) **LOC (8) Cl.** **08-07**

(52) **U.S. Cl.** **D8/331**

(58) **Field of Classification Search** D8/330-348;
81/121.1, 436, 186; 70/91, 23; 301/35,
301/62, 111, 122.5; 411/427, 910, 432, 368;
292/86, 156, 119, 42

See application file for complete search history.

(56) **References Cited**

U.S. PATENT DOCUMENTS

1,803,803 A 5/1931 Kaufman
2,341,469 A 2/1944 Newall
2,799,027 A 7/1957 Hatebur
4,023,225 A 5/1977 Tochilkin et al.
4,802,699 A 2/1989 Smith
4,936,612 A 6/1990 Kohn
5,127,687 A 7/1992 Guiler
5,165,740 A 11/1992 Curnes et al.
D345,291 S * 3/1994 Brown D8/331

5,855,054 A 1/1999 Rivera et al.
6,161,273 A 12/2000 Rivera et al.
6,550,829 B1 4/2003 Dobson
D514,425 S * 2/2006 Hamilton et al. D8/331
D548,041 S * 8/2007 Littrell et al. D8/331

FOREIGN PATENT DOCUMENTS

JP 01099740 A 4/1989
JP 08309472 A 11/1996
JP 19928703 12/2000

* cited by examiner

Primary Examiner—Mitchell Siegel

(74) *Attorney, Agent, or Firm*—Van Dyke, Gardner, Linn & Burkhart LLP

(57) **CLAIM**

The ornamental design for a bolt seal, as shown and described.

DESCRIPTION

FIG. 1 is a perspective illustration of the bolt seal according to our design, the perspective being from the top rear end of the bolt seal;

FIG. 2 is a perspective illustration thereof, the perspective being from the bottom front end of the bolt seal;

FIG. 3 is a left side view thereof, the right side view being a mirror image thereof;

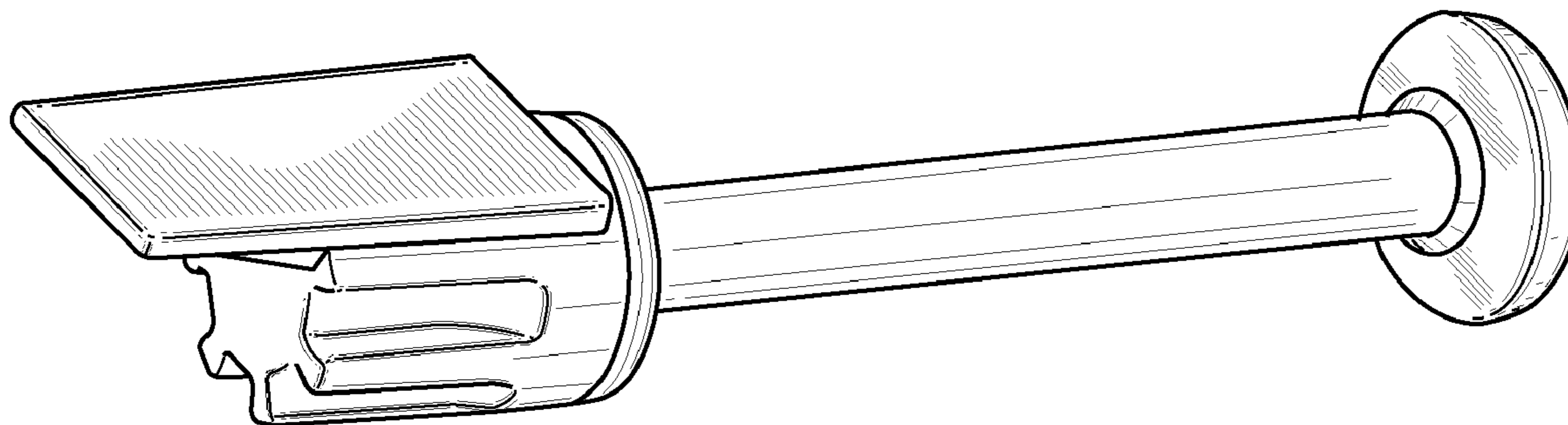
FIG. 4 is a bottom plan view thereof;

FIG. 5 is a top plan view thereof;

FIG. 6 is a front end view thereof; and,

FIG. 7 is a rear end view thereof.

1 Claim, 2 Drawing Sheets



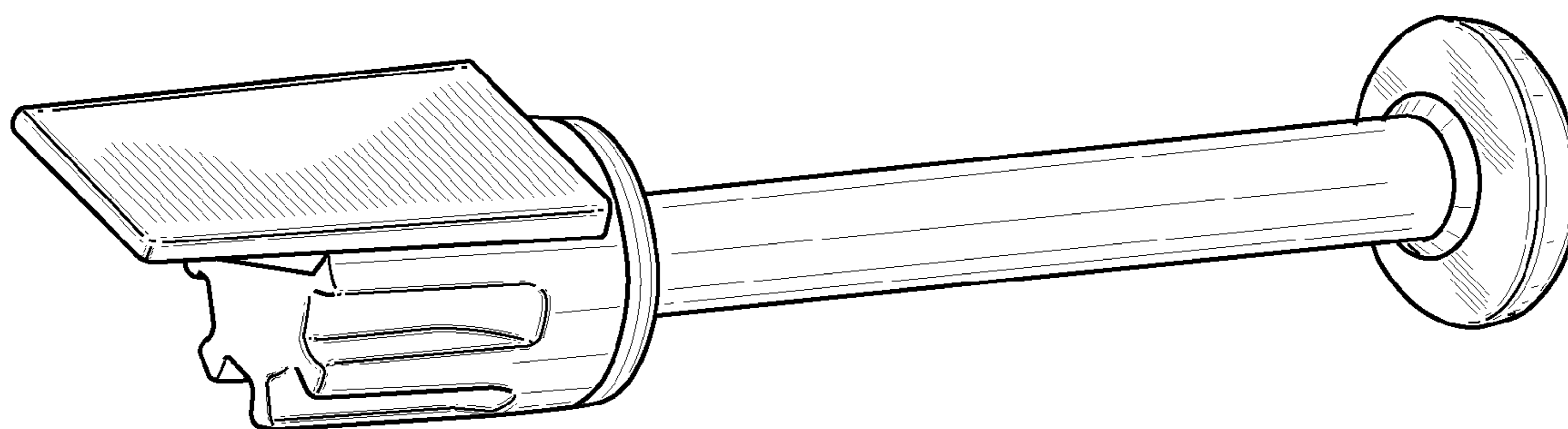


Fig. 1

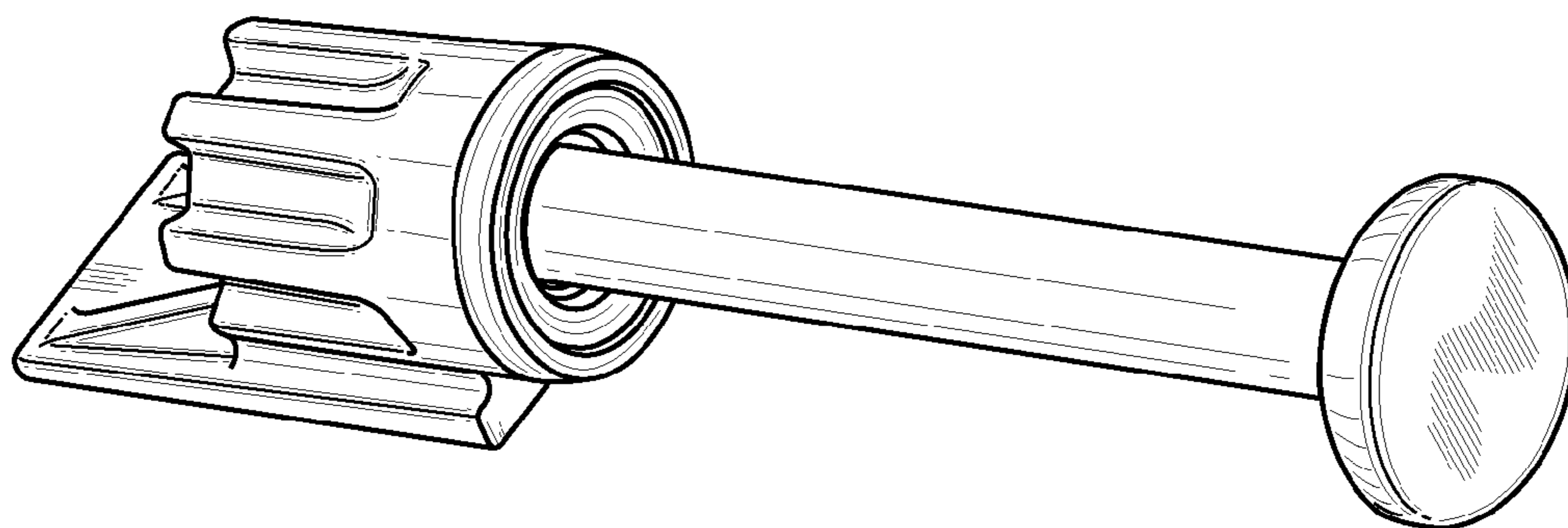


Fig. 2

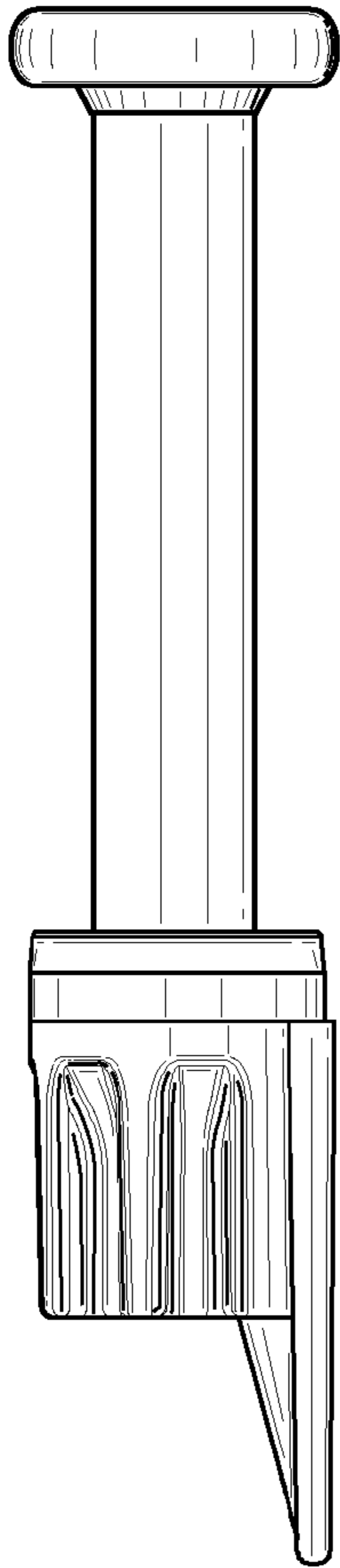


Fig. 3

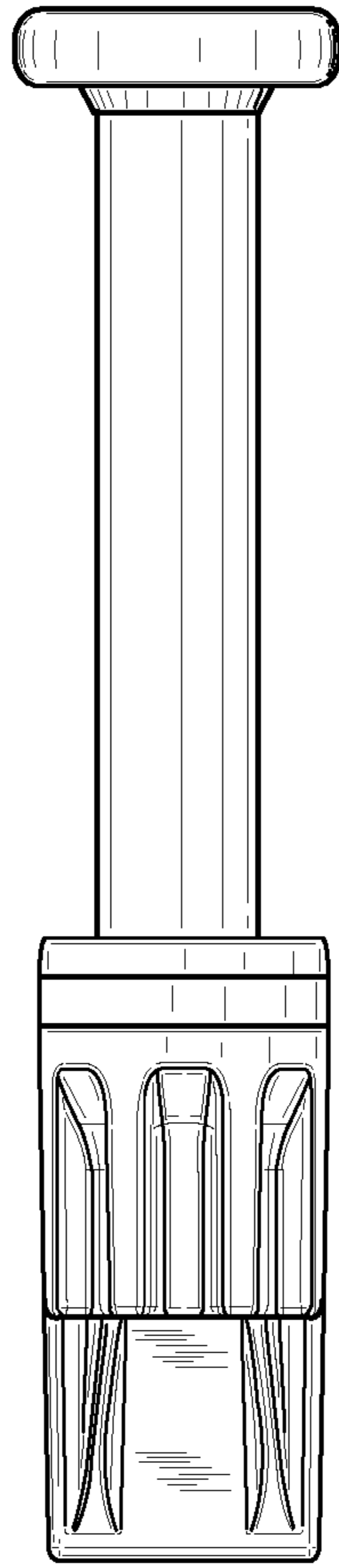


Fig. 4

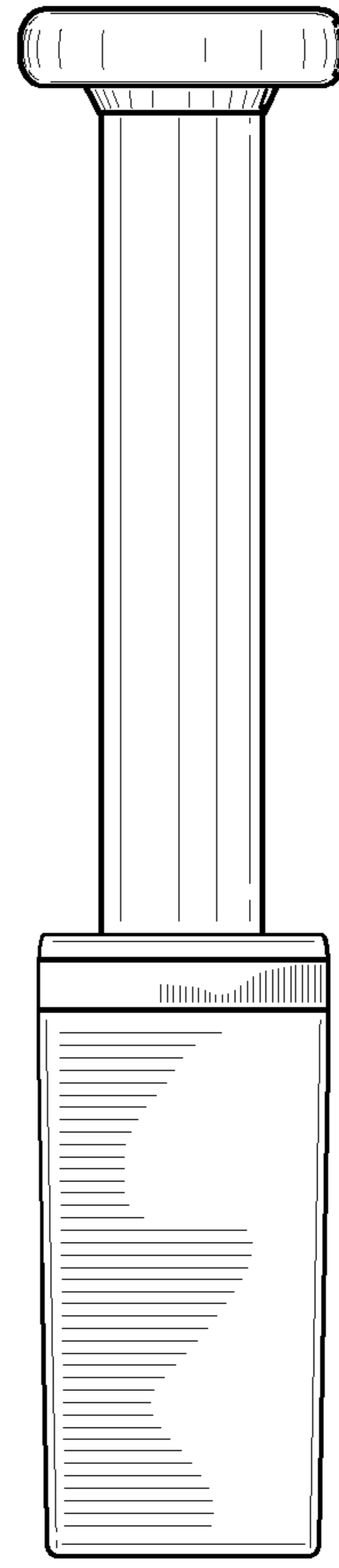


Fig. 5

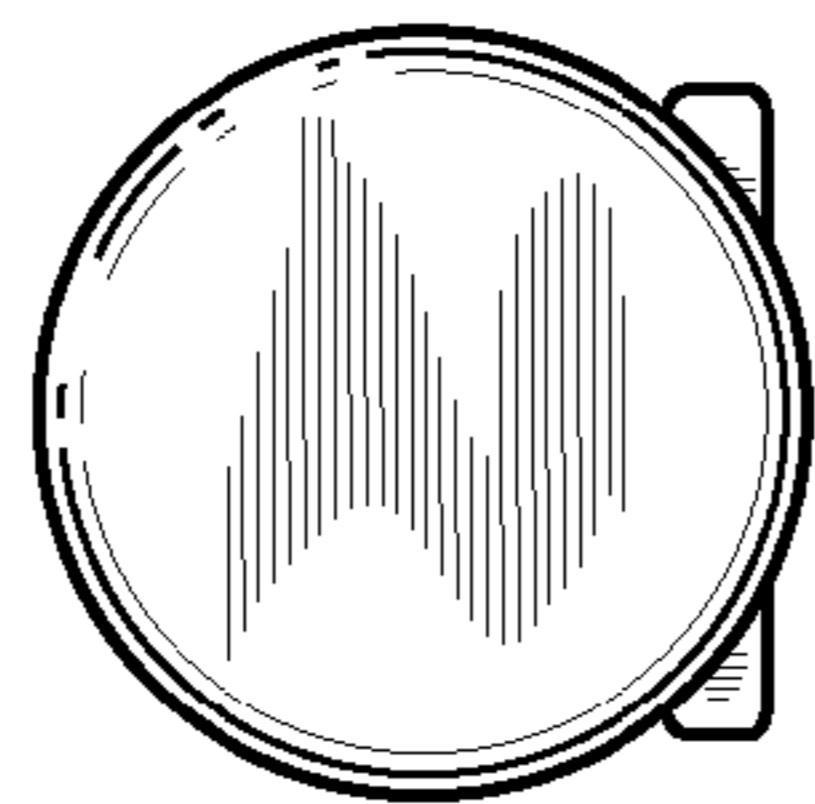


Fig. 6

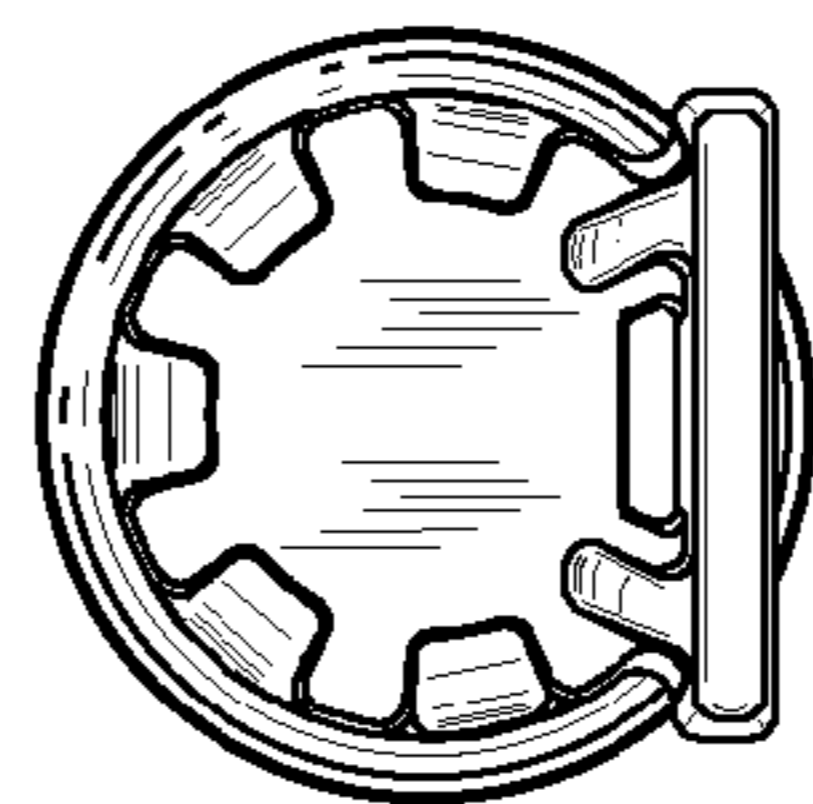


Fig. 7

UNITED STATES PATENT AND TRADEMARK OFFICE
CERTIFICATE OF CORRECTION

PATENT NO. : Des. 568,716 S
APPLICATION NO. : 29/296715
DATED : May 13, 2008
INVENTOR(S) : Littrell et al.

Page 1 of 1

It is certified that error appears in the above-identified patent and that said Letters Patent is hereby corrected as shown below:

Title Page and Col. 1

In the TITLE:

“(54) BOLT SEAT” should be --(54) BOLT SEAL--

Signed and Sealed this

Third Day of February, 2009



JOHN DOLL

Acting Director of the United States Patent and Trademark Office