



US00D568715S

(12) **United States Design Patent** (10) **Patent No.:** **US D568,715 S**  
**Gustafson et al.** (45) **Date of Patent:** **\*\* May 13, 2008**

(54) **HANDLE**

(75) Inventors: **John R. Gustafson**, Jamestown, NY (US); **Geoffrey D. Thorp**, Jamestown, NY (US); **Michael F. Migliore**, Frewsburg, NY (US)

(73) Assignee: **Zurn Industries, LLC**, Erie, PA (US)

(\*\*) Term: **14 Years**

(21) Appl. No.: **29/286,303**

(22) Filed: **May 1, 2007**

(51) **LOC (8) Cl.** ..... **08-06**

(52) **U.S. Cl.** ..... **D8/310; D6/307**

(58) **Field of Classification Search** ..... D8/DIG. 2,  
D8/300, 307, 310, 311, 312; 137/625.4,  
137/636.4; D13/158, 162; D23/250–254;  
16/110.1

See application file for complete search history.

(56) **References Cited**

**U.S. PATENT DOCUMENTS**

D72,772	S	*	5/1927	Kipper	.....	D8/307
D272,082	S	*	1/1984	Fabian	.....	D23/254
D291,824	S	*	9/1987	Lathrop	.....	D23/254
4,899,778	A		2/1990	Laube		
4,991,819	A		2/1991	Laube		
D345,004	S	*	3/1994	Bengtson	.....	D23/254
5,295,654	A	*	3/1994	Laube	.....	251/35
D387,734	S	*	12/1997	Hawkins et al.	.....	D13/158
D389,394	S	*	1/1998	Taylor	.....	D8/312
D467,312	S	*	12/2002	Singtoroj	.....	D23/250
D511,290	S	*	11/2005	Coudurier	.....	D8/310
D517,165	S		3/2006	Dmitruk et al.		
D527,611	S	*	9/2006	Sato	.....	D8/310
7,134,451	B1		11/2006	Malapanes		

**OTHER PUBLICATIONS**

Catalogue, Technical Data, "Drinking Fountain", Chicago Faucets—a Geberit Company, Chicago, Fitting No.: 748, Aug. 30, 2006, (1 page).

Catalogue, "Bubblers", Chicago Faucets—Commercial Plumbing, 748-CP, Copyright © 2006, www.chicagofaucets.com, (1 page).

Zurn AquaSpec®, Single Basin Metering Z-86100, Zurn Industries, Inc. Commercial Brass Operations, www.Zurn.com, Nov. 20, 1997, (1 page).

Zurn AquaSpec®, Single Basin Metering Z-8610 List Parts, Zurn Industries, Inc. Commercial Brass Operations, www.Zurn.com, Nov. 20, 1997, (1 page).

Zurn AquaSpec®, Single Foot Pedal Valve Z-85100, Zurn Industries, Inc. Commercial Brass Operations, www.Zurn.com. Nov. 20, 1997, (1 page).

Zurn AquaSpec®, Single Foot Pedal Valve Z-85100 List Parts, Zurn Industries, Inc. Commercial Brass Operations, www.Zurn.com, Aug. 22, 1997.

Catalogue, Chicago Faucets 748, 1982, (1 page).

\* cited by examiner

*Primary Examiner*—Paula A Greene

(74) *Attorney, Agent, or Firm*—The Webb Law Firm

(57) **CLAIM**

The ornamental design for a handle, as shown and described.

**DESCRIPTION**

FIG. 1 is a perspective view of a handle showing our new design;

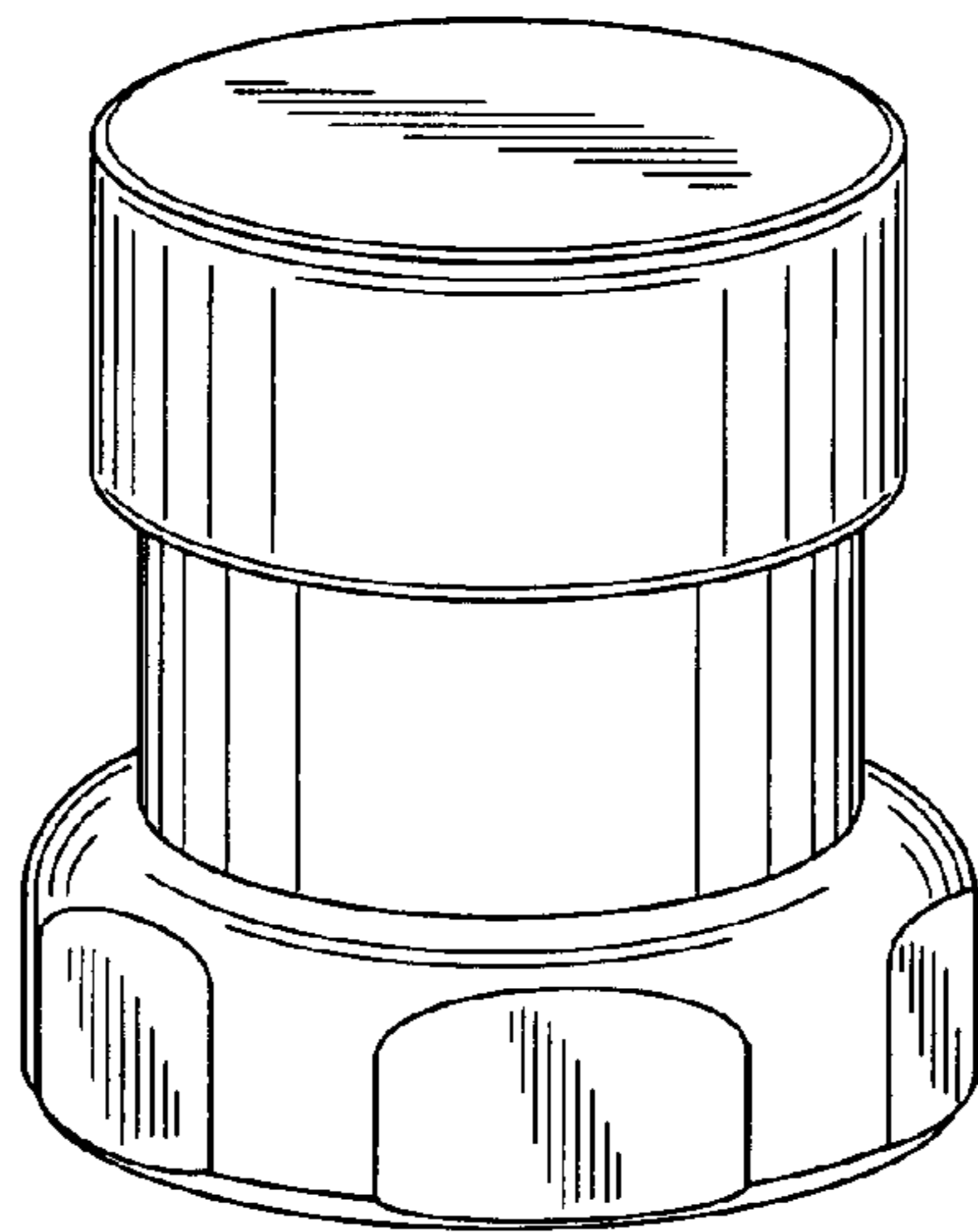
FIG. 2 is a top view thereof;

FIG. 3 is a bottom view thereof wherein the broken lines do not form a part of the claimed invention;

FIG. 4 is a front elevational view wherein, due to the cylindrical nature of the invention, the front elevational view is identical to the back elevational view; and,

FIG. 5 is a left elevational view wherein, due to the cylindrical nature of the invention, the left elevational view is identical to the right elevational view.

**1 Claim, 2 Drawing Sheets**



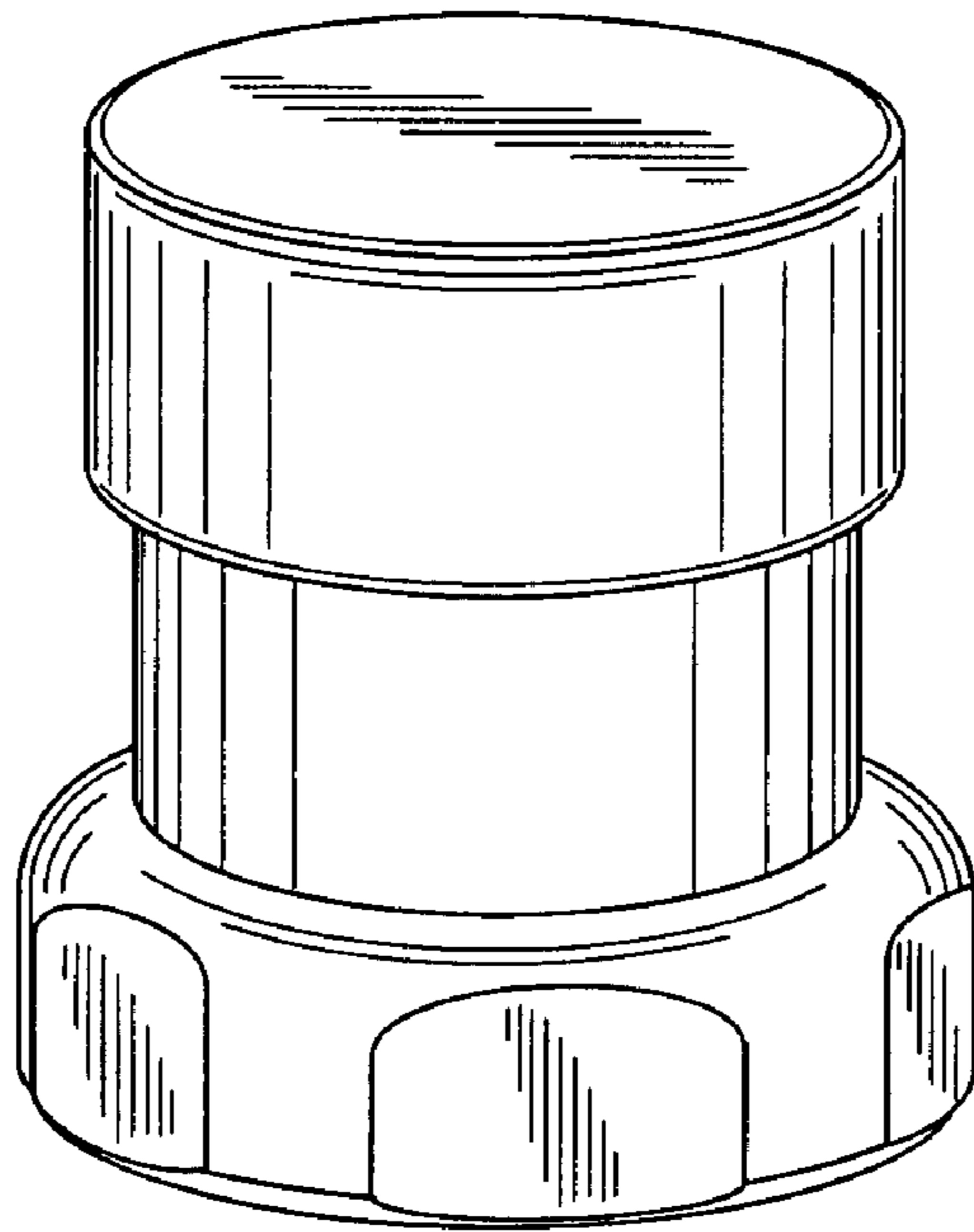


FIG. 1

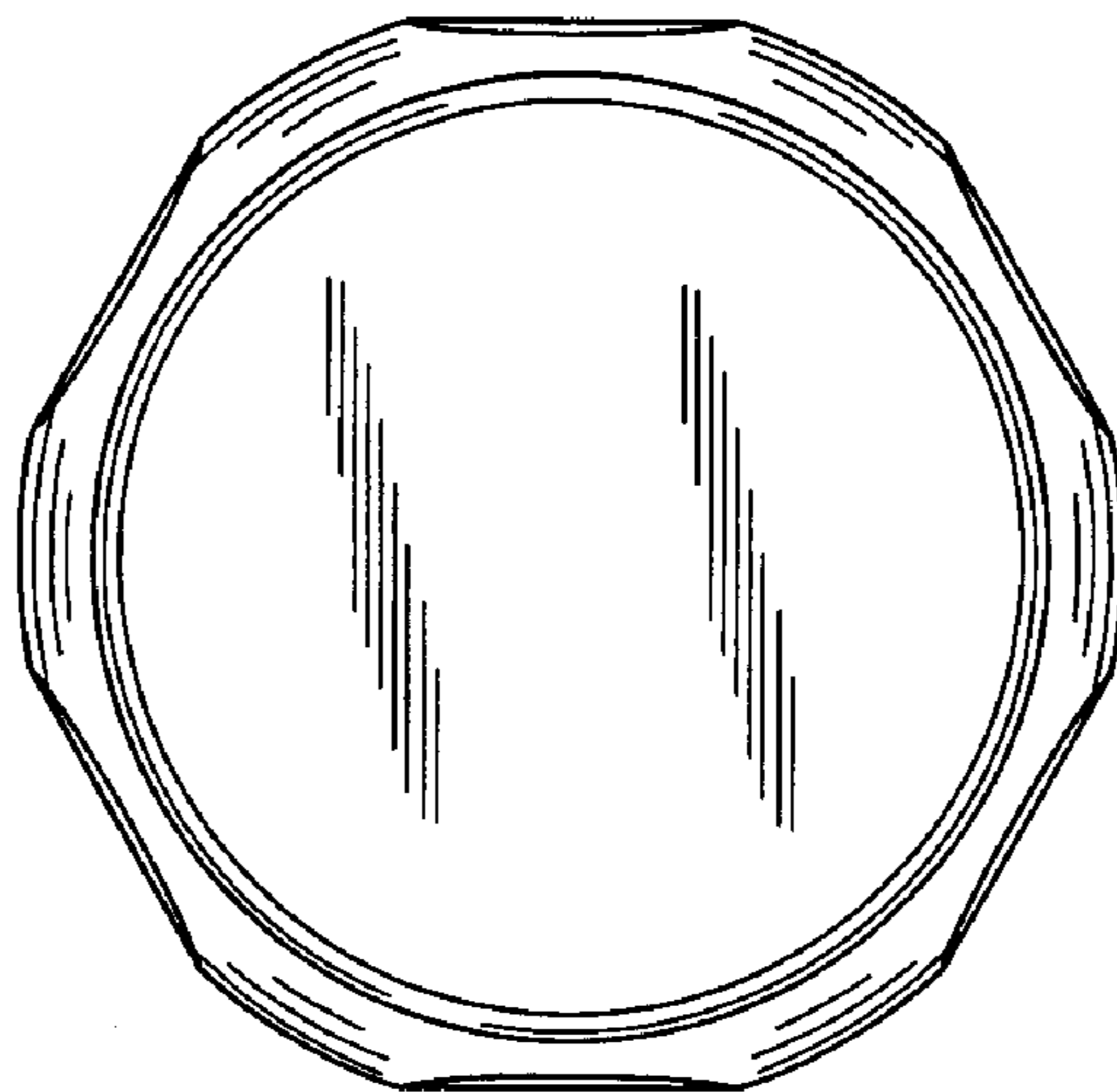


FIG. 2

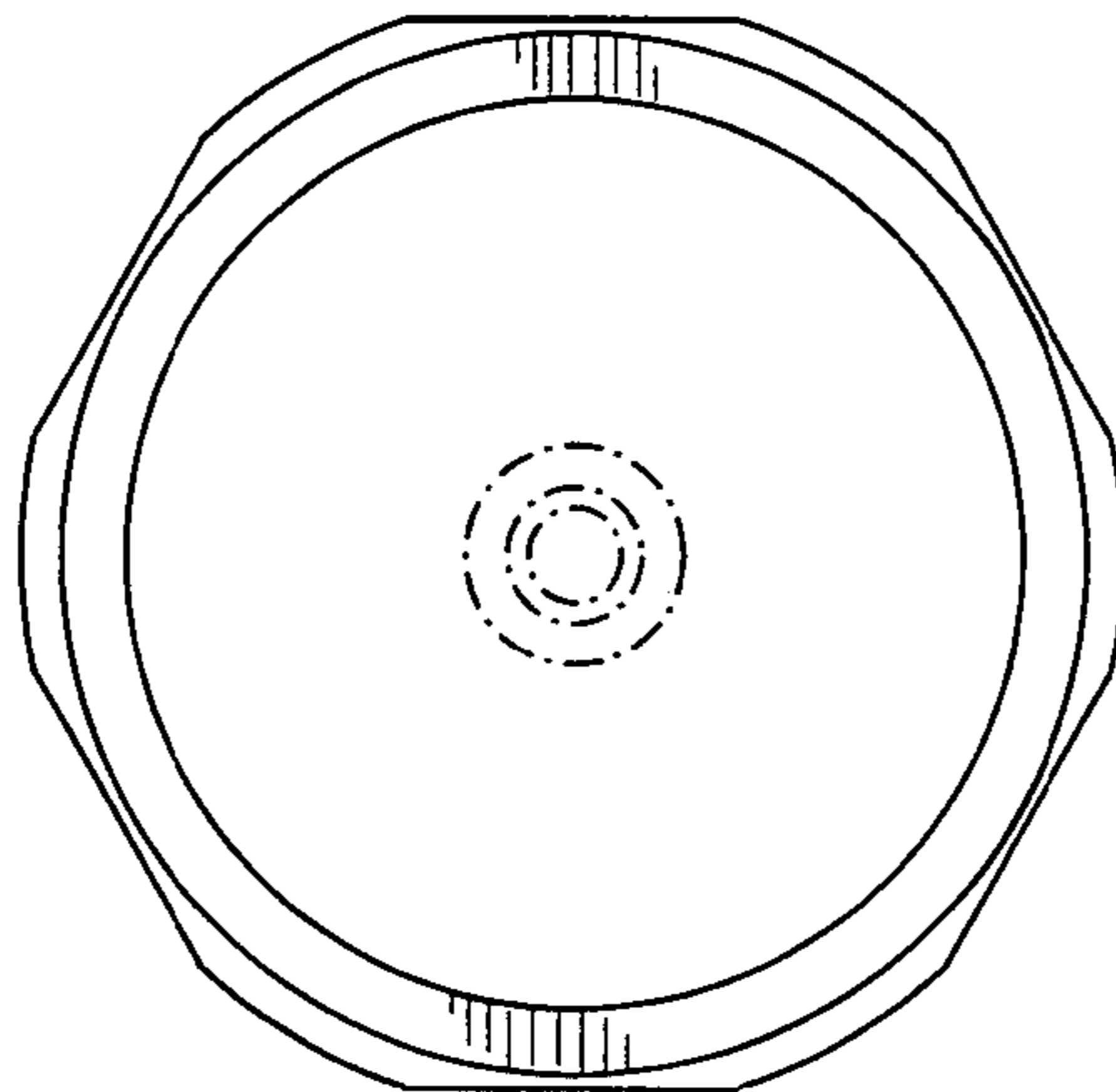


FIG. 3

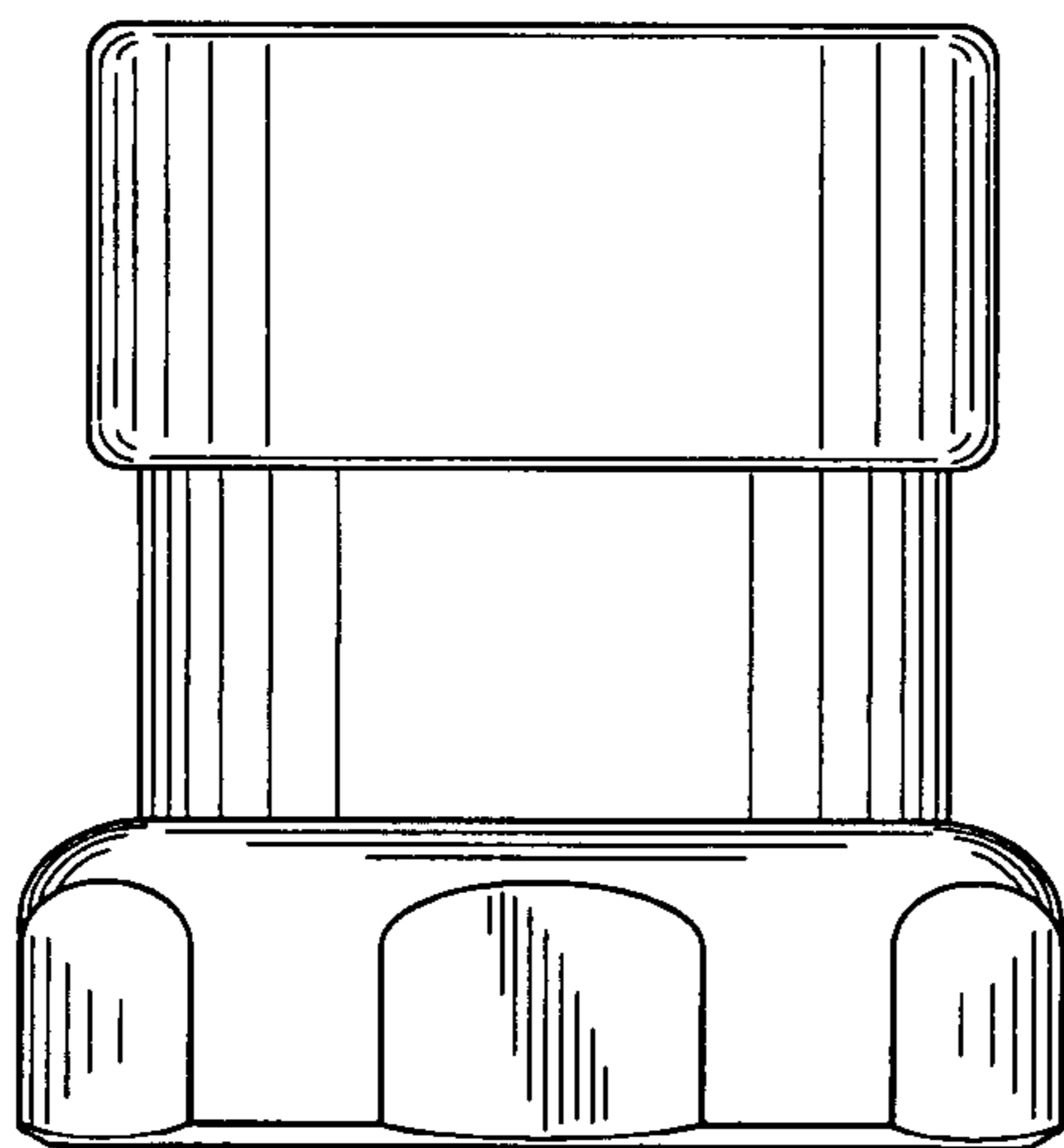


FIG. 4

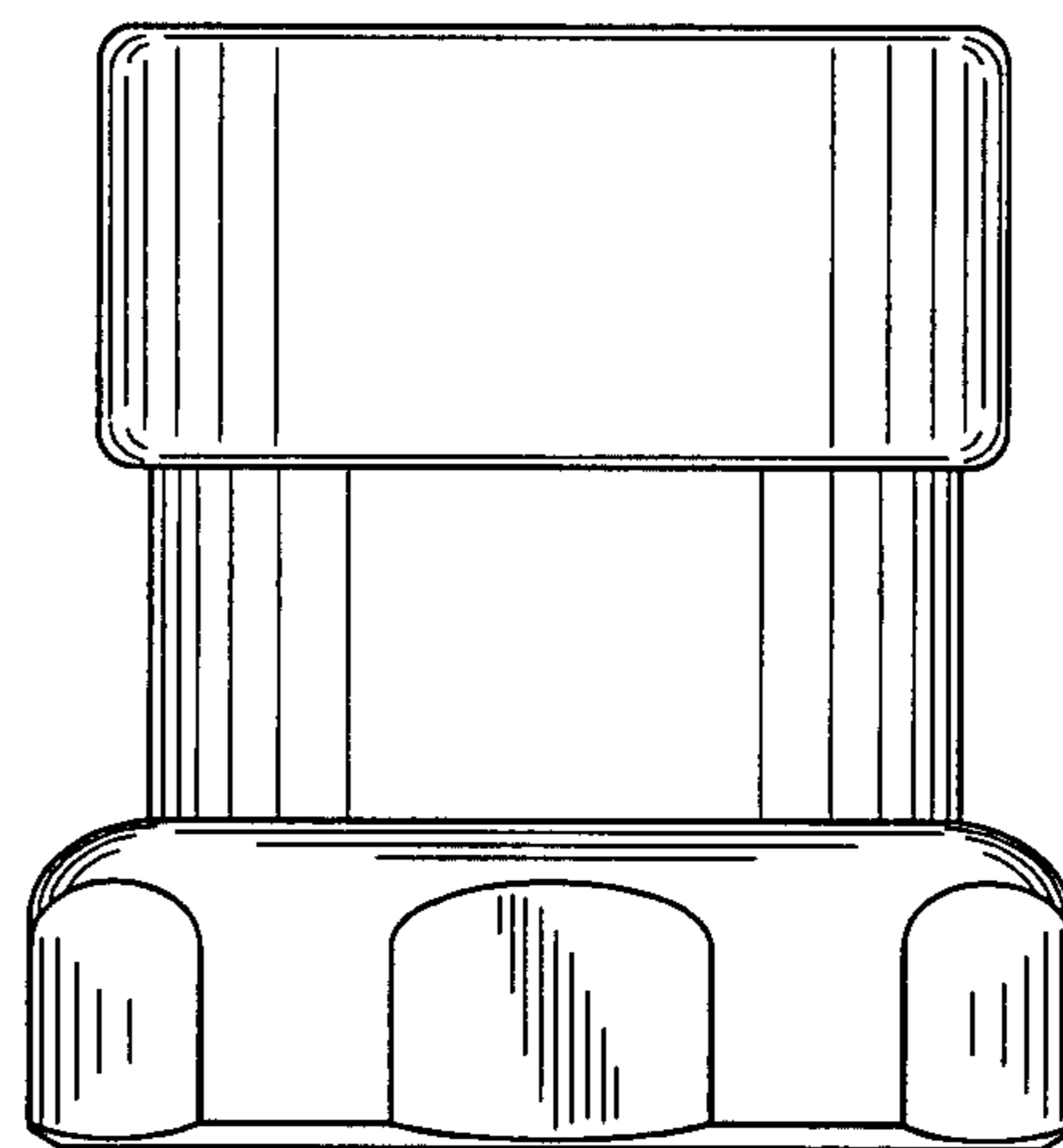


FIG. 5