



US00D568714S

(12) **United States Design Patent**
Bickler et al.

(10) **Patent No.:** **US D568,714 S**

(45) **Date of Patent:** **** May 13, 2008**

(54) **CABINET KNOB**

(75) Inventors: **Marc Bickler**, Charlotte, NC (US);
Victor Hoernig, Lowell, IN (US);
Geraint Krumpe, Chicago, IL (US)

(73) Assignee: **Brasstech, Inc.**, Santa Ana, CA (US)

(**) Term: **14 Years**

(21) Appl. No.: **29/278,462**

(22) Filed: **Mar. 30, 2007**

(51) **LOC (8) Cl.** **08-06**

(52) **U.S. Cl.** **D8/307**

(58) **Field of Classification Search** D8/300,
D8/301, 307-312, DIG. 3; D23/250-254;
16/110.1; 4/675-678; 137/315.12, 801;
D7/398

See application file for complete search history.

(56) **References Cited**

U.S. PATENT DOCUMENTS

D60,416 S *	2/1922	Jacoby	D7/398
D148,787 S *	2/1948	Haldane	D23/245
D327,532 S *	6/1992	Ko	D23/252
D332,824 S *	1/1993	Robbins	D23/252
D407,143 S *	3/1999	Hyde et al.	D23/252

D437,918 S *	2/2001	Doughty et al.	D23/250
6,345,643 B1 *	2/2002	Ko	137/315.12
D463,012 S *	9/2002	Otero et al.	D23/252
D475,767 S *	6/2003	Yegyayan et al.	D23/252
D490,502 S *	5/2004	Ouyoung	D23/252
D540,437 S *	4/2007	Huang	D23/252
D551,325 S *	9/2007	Kennard	D23/252

* cited by examiner

Primary Examiner—Paula A. Greene

(74) *Attorney, Agent, or Firm*—Edgar A. Zarins; Lloyd D. Doigan

(57) **CLAIM**

The ornamental design for a cabinet knob, as shown and described.

DESCRIPTION

FIG. 1 is a front perspective view of a cabinet knob showing our design;

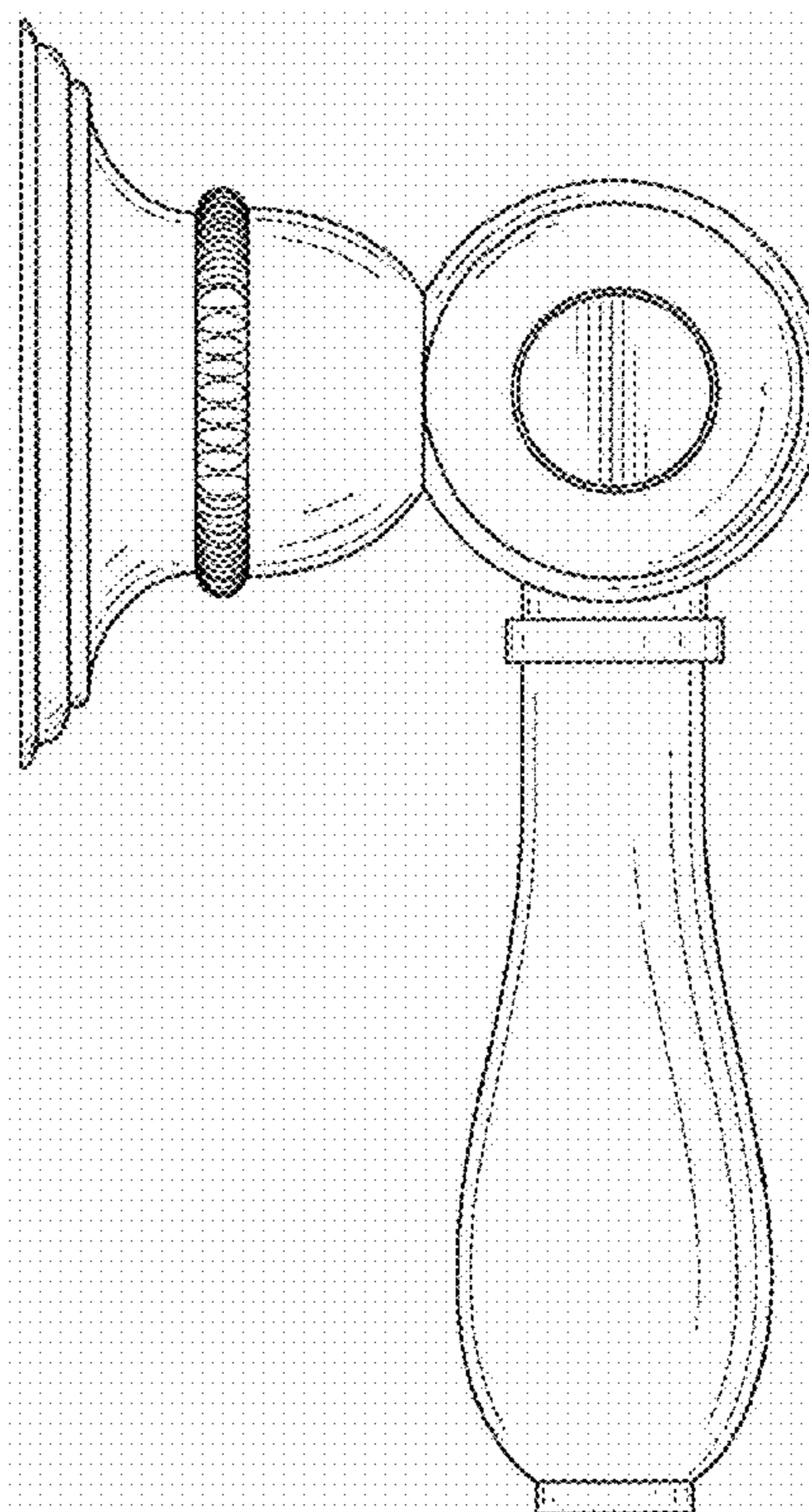
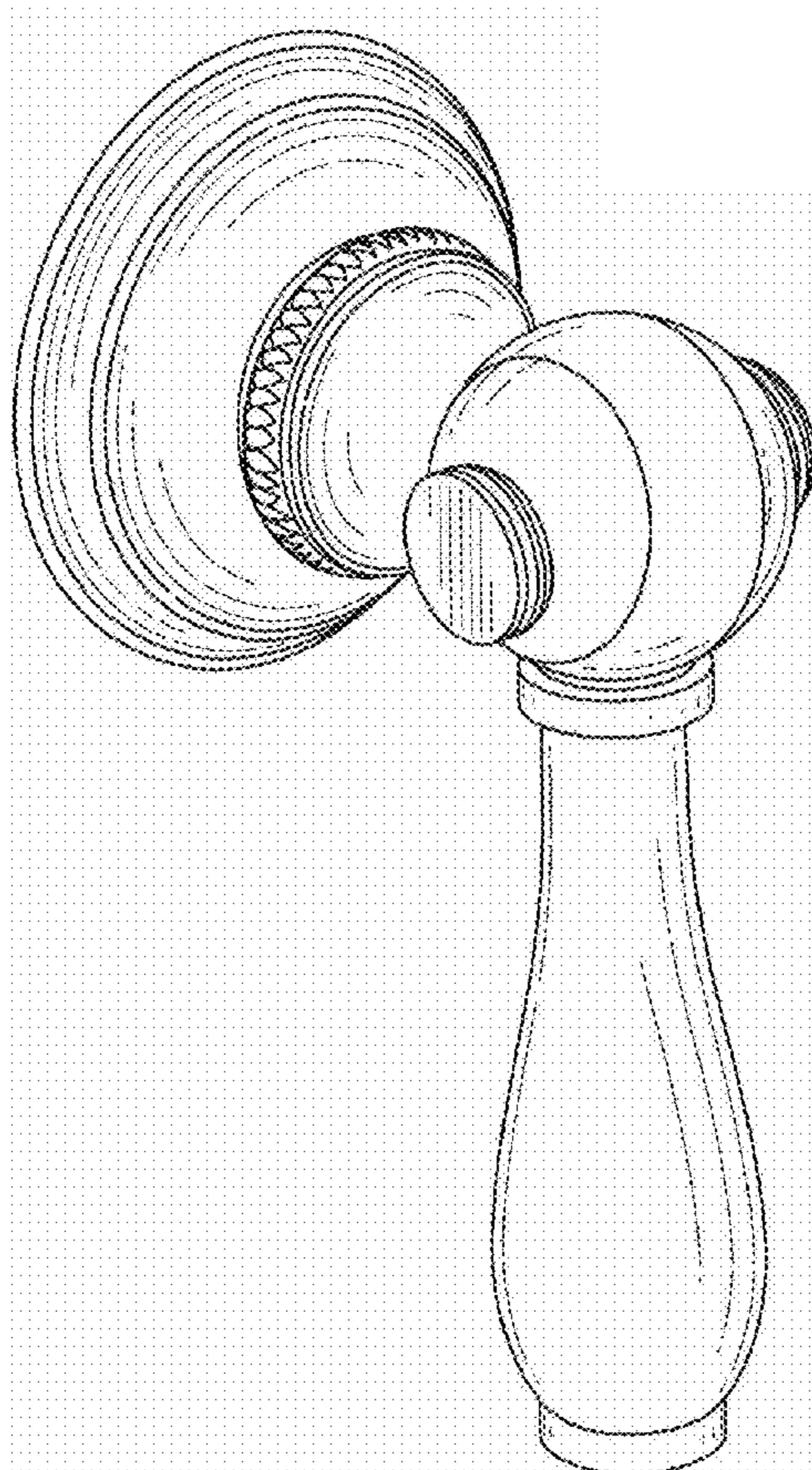
FIG. 2 is a front elevational view thereof;

FIG. 3 is a right side elevational view thereof; the left side elevational view being a mirror image thereof;

FIG. 4 is a bottom plan view thereof; and,

FIG. 5 is a top plan view thereof.

1 Claim, 5 Drawing Sheets



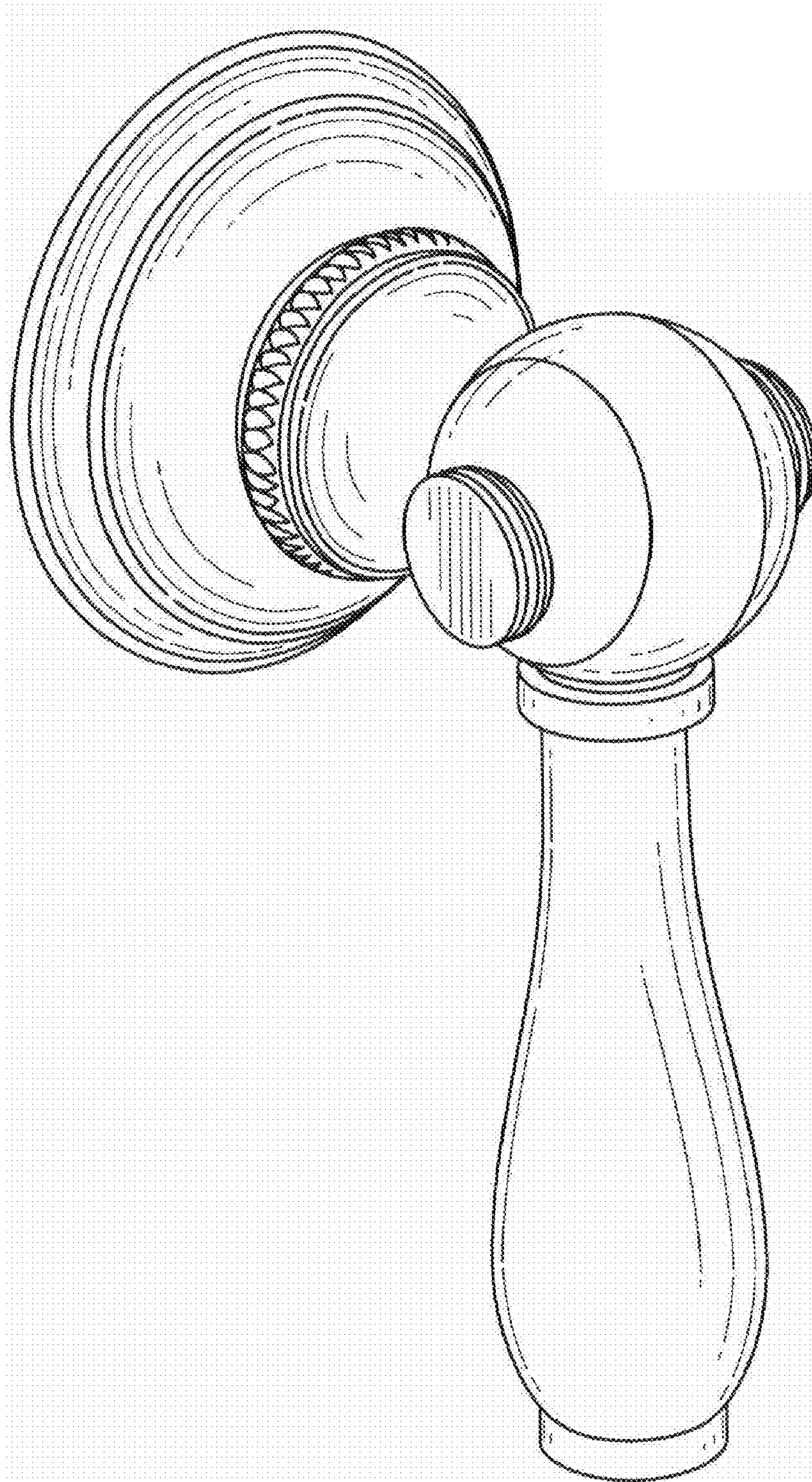


FIG. 1

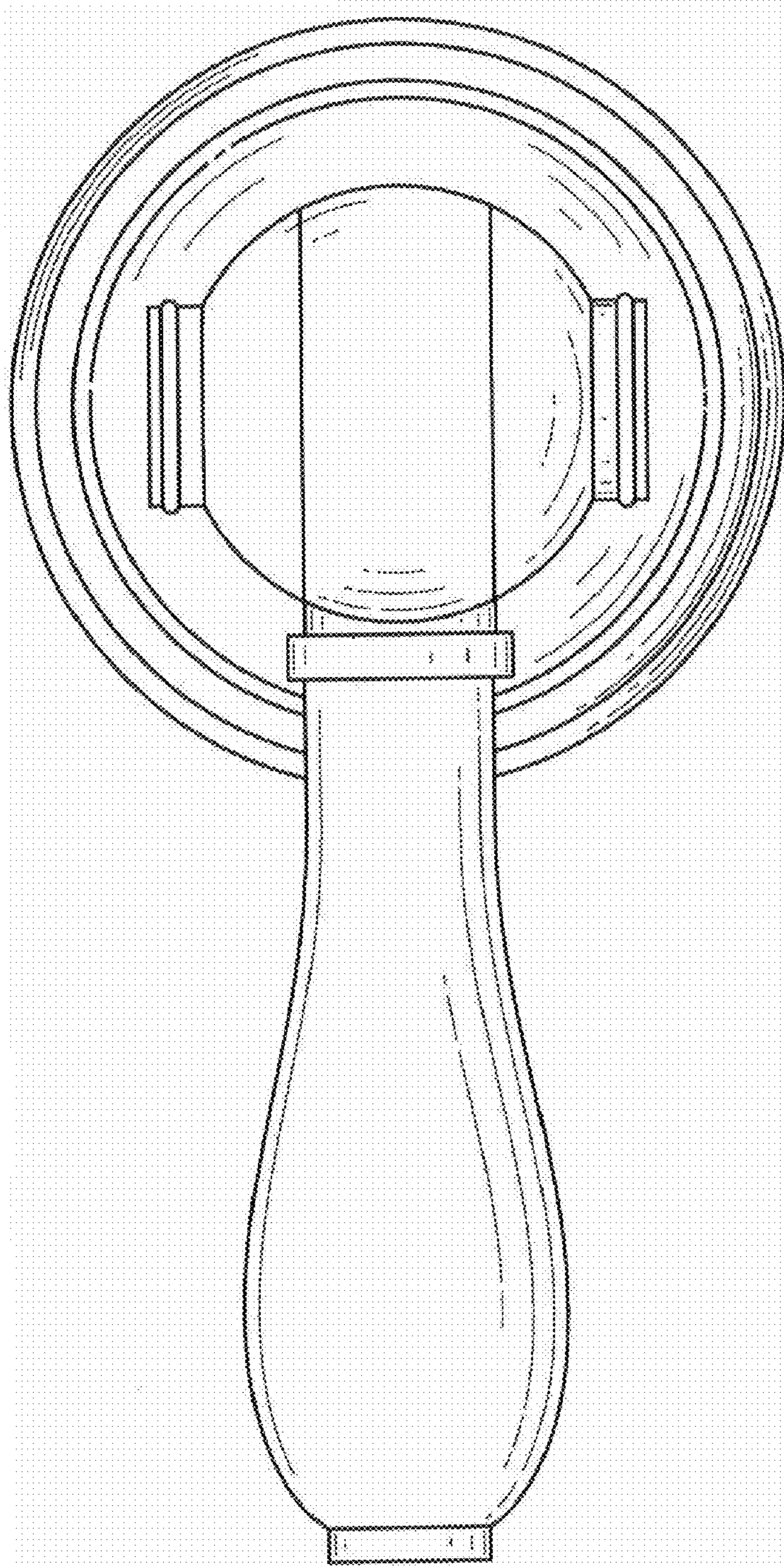


FIG. 2

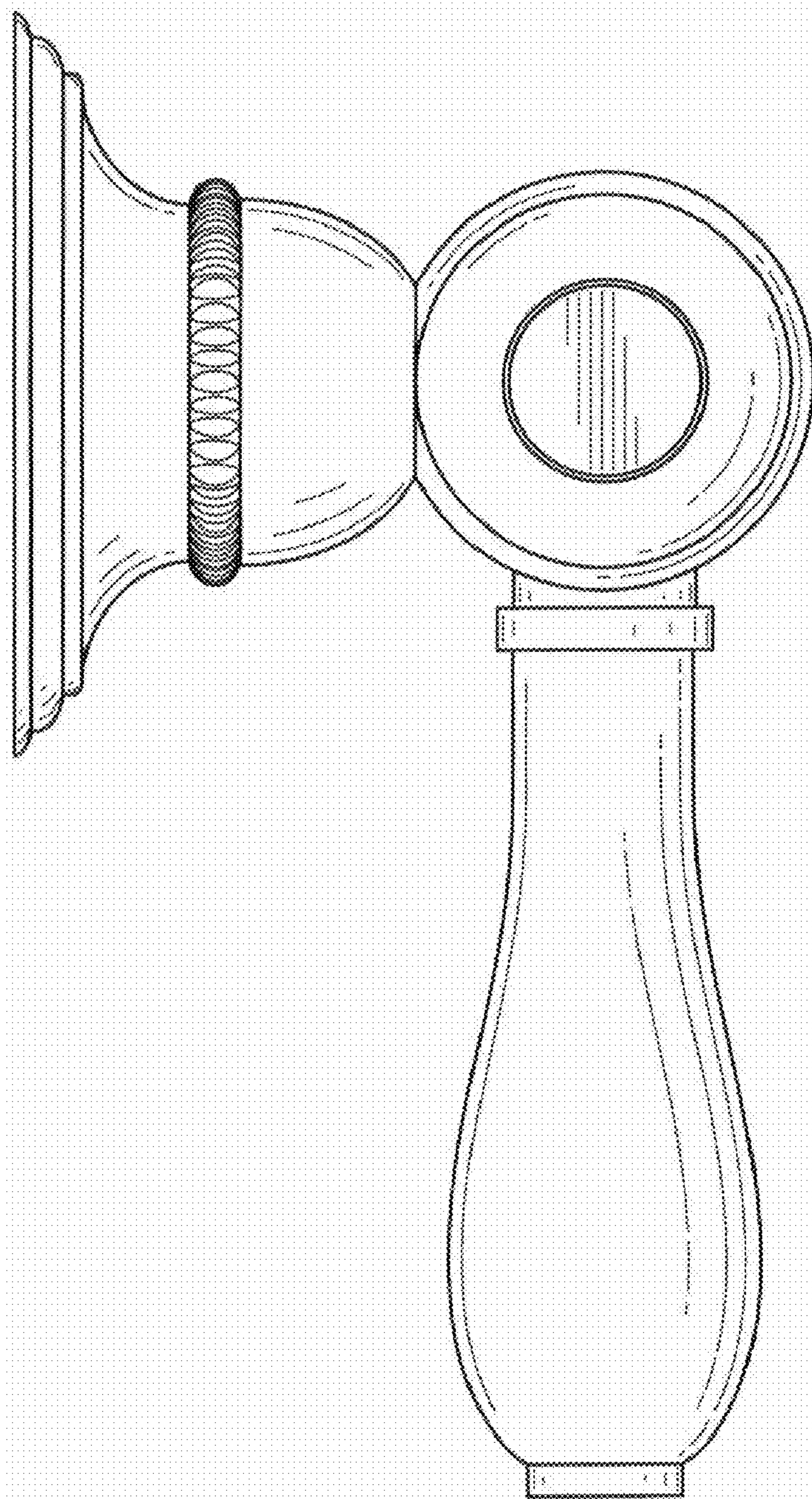


FIG. 3

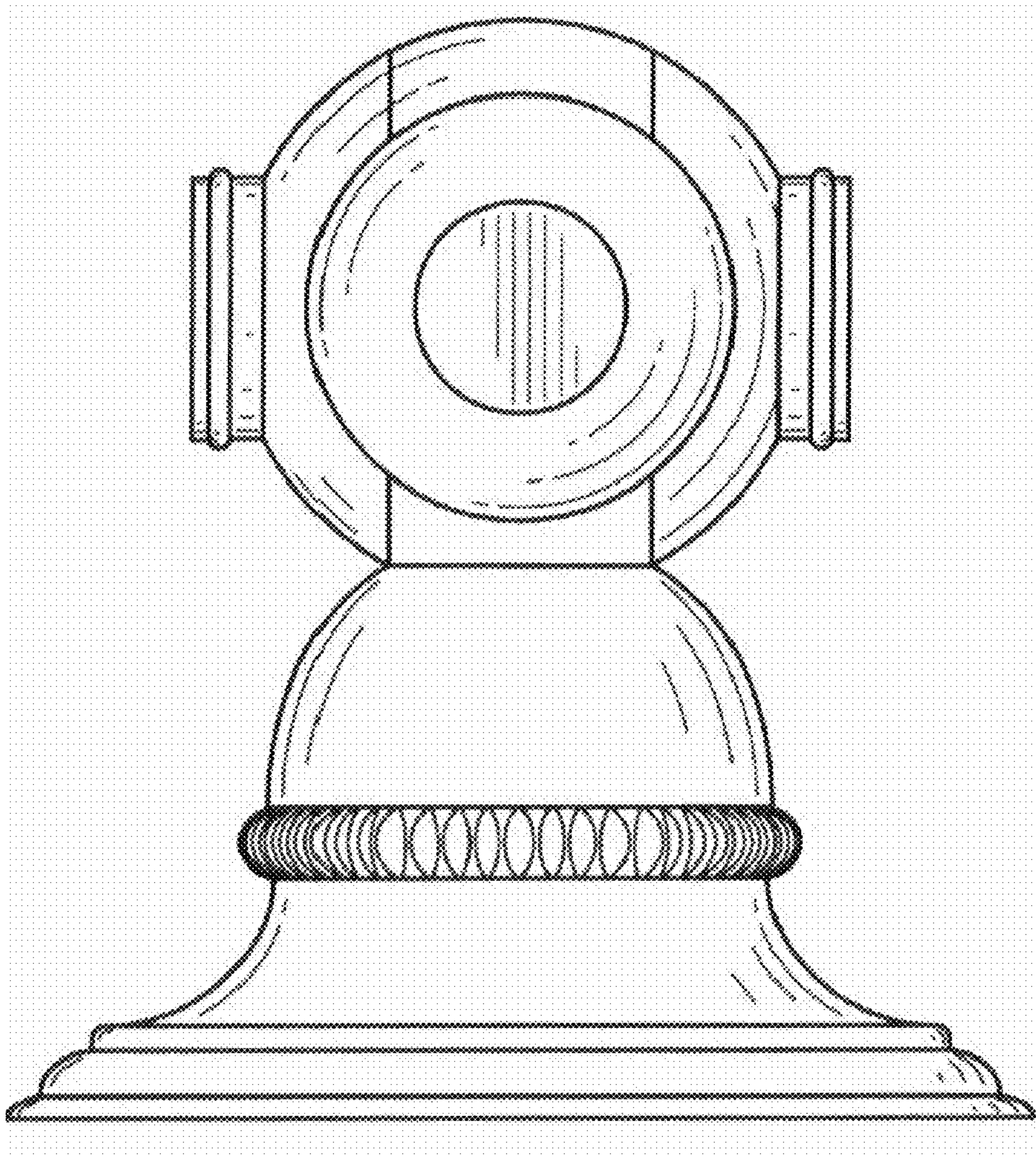


FIG. 4

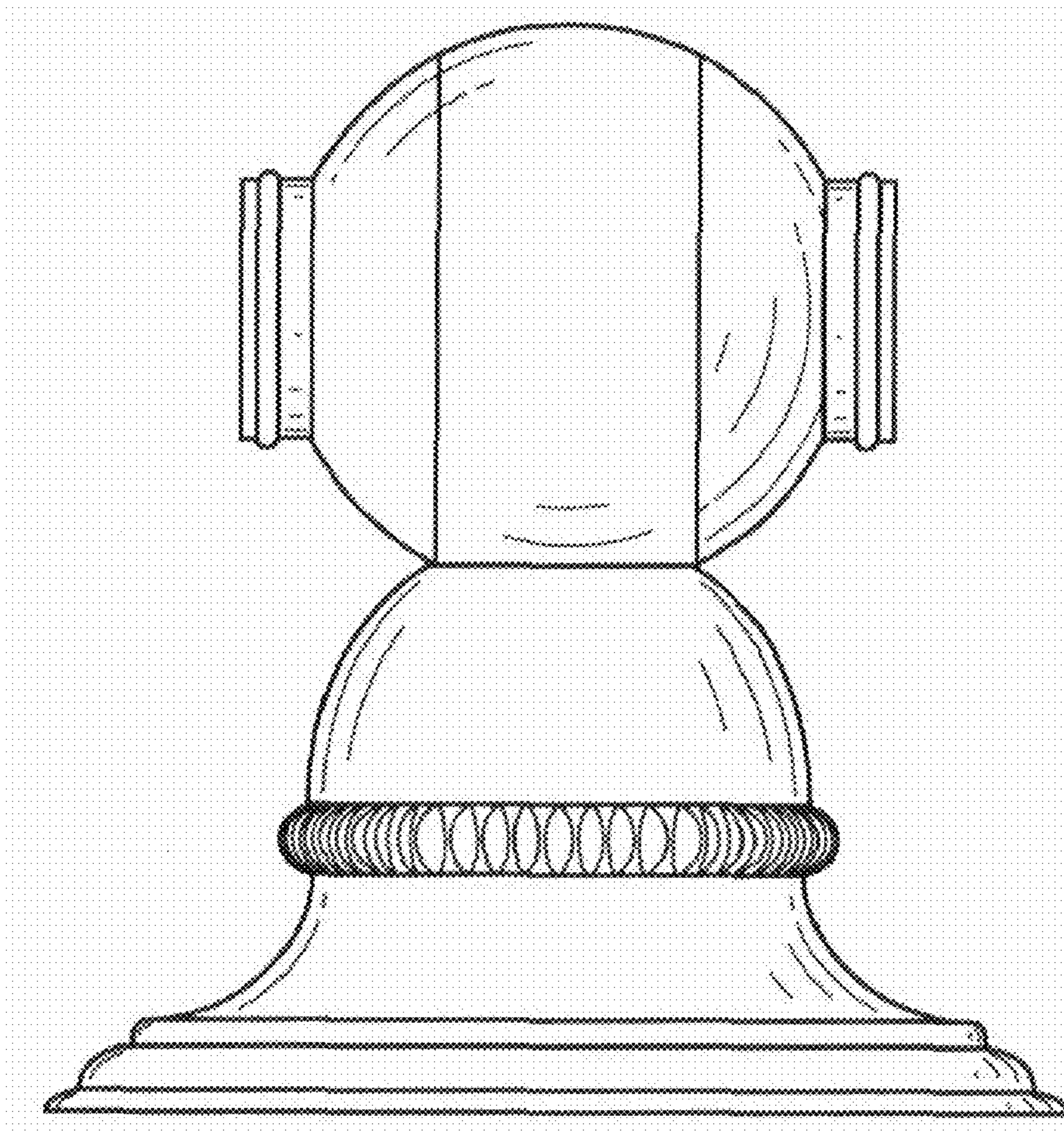


FIG. 5