

US00D568713S

(12) **United States Design Patent**
Ricereto

(10) **Patent No.:** **US D568,713 S**
(45) **Date of Patent:** **** May 13, 2008**

- (54) **KNOB**
- (75) Inventor: **Michael Hart Ricereto**, Baltimore, MD (US)
- (73) Assignee: **Newell Operating Company**, Atlanta, GA (US)
- (**) Term: **14 Years**
- (21) Appl. No.: **29/279,601**
- (22) Filed: **May 3, 2007**
- (51) **LOC (8) Cl.** **08-06**
- (52) **U.S. Cl.** **D8/305**
- (58) **Field of Classification Search** D8/300, D8/302, 305, 307, 310, 312, 378, DIG. 2; 16/110.1, 412, 414, 415, 417, 441; 292/347; D12/177; D7/393; D28/91; D6/580, 581; D26/73, 96, 135, 154; D3/12, 14, 17; D11/7, D11/36, 47, 222, 223; 63/4, 26; D9/453; 29/10

- D127,190 S 5/1941 Jung
- D131,089 S * 1/1942 Schlage D8/312
- D152,901 S 3/1949 Petersen
- D169,533 S 5/1953 Deadrick
- 2,688,297 A 9/1954 Livermont et al.
- D178,865 S 10/1956 Clayton
- 2,796,627 A 6/1957 Heyer
- D186,053 S 9/1959 Clayton
- D194,968 S 4/1963 Stelma
- 3,096,115 A 7/1963 Patriquin et al.
- D199,839 S 12/1964 Simpson
- D200,953 S 4/1965 Menezes et al.
- D203,147 S 12/1965 Kaiser
- D203,148 S 12/1965 Kaiser
- D204,128 S 3/1966 Clayton
- D204,461 S 4/1966 Volker
- D207,898 S 6/1967 Doman
- D217,431 S 5/1970 Russell
- D219,702 S 1/1971 Korol
- D222,232 S 10/1971 Horgan
- D224,225 S 7/1972 Doman

(Continued)

See application file for complete search history.

Primary Examiner—Paula A Greene
(74) *Attorney, Agent, or Firm*—Banner & Witcoff, Ltd.

(56) **References Cited**

U.S. PATENT DOCUMENTS

- D15,754 S * 1/1885 Russel, Jr. D8/312
- 436,523 A 9/1890 Glover
- D22,755 S 8/1893 Russell
- D35,238 S 10/1901 Tower
- 784,131 A 3/1905 Assel
- D47,069 S 3/1915 Burns
- 1,157,598 A * 10/1915 Stone 29/10
- D67,474 S 6/1925 Rosenthal
- 2,002,817 A 5/1935 Johnson
- D98,440 S 2/1936 Martin
- D100,034 S 6/1936 McCormick
- D100,387 S * 7/1936 Perry D9/453
- D104,262 S 4/1937 Hewes
- D106,677 S * 10/1937 Schlage D8/312
- D110,633 S * 7/1938 Bahr D12/177
- D115,537 S 7/1939 Bahr
- D116,935 S 10/1939 Jung
- D121,558 S 7/1940 Borchers

(57) **CLAIM**

I claim the ornamental design for a knob, as shown and described.

DESCRIPTION

FIG. 1 is a perspective view of a knob of the present claimed design;

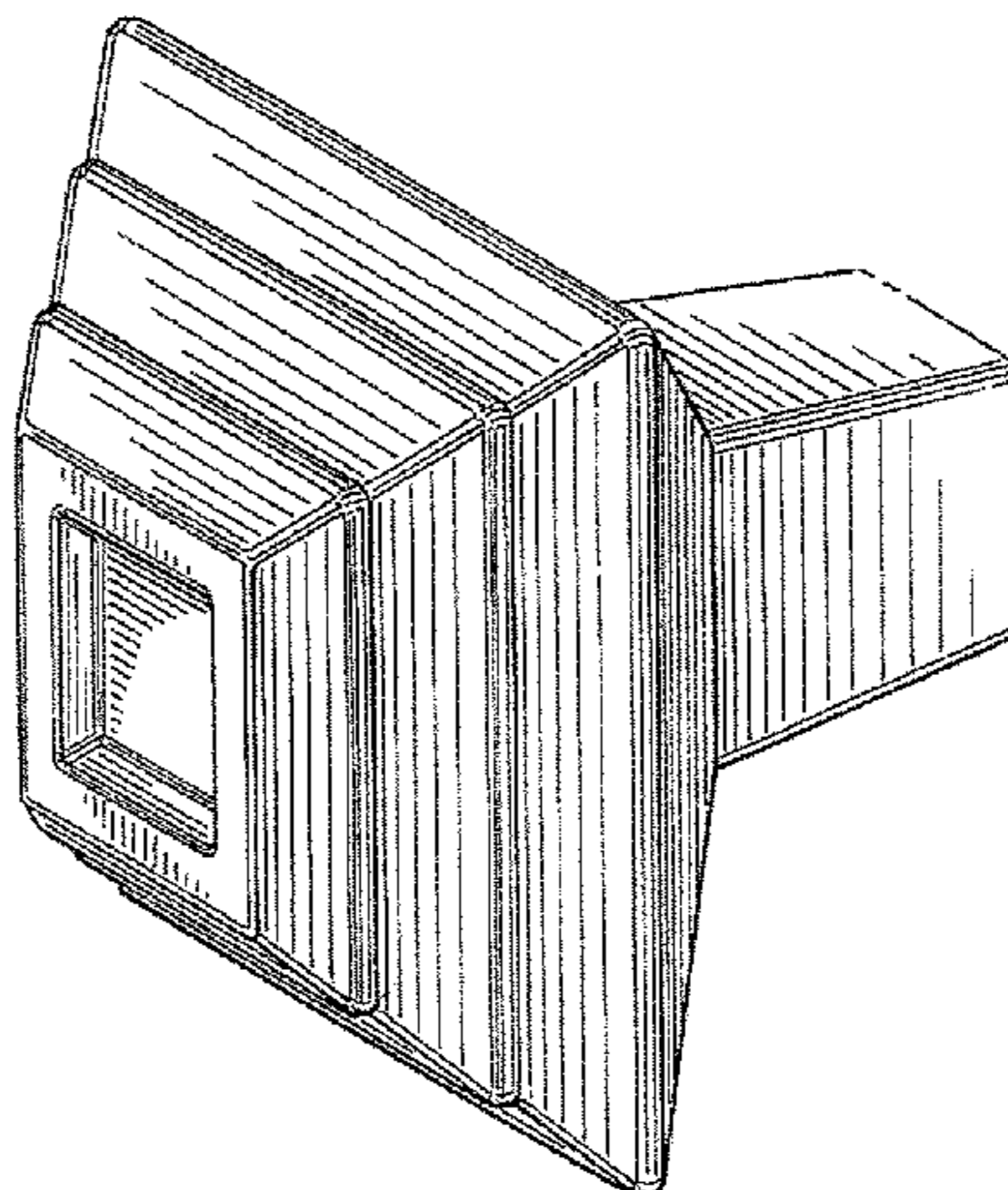
FIG. 2 is a side view of the knob shown in FIG. 1, each side view being identical thereto;

FIG. 3 is a front view of the knob shown in FIG. 1; and,

FIG. 4 is a rear view of the knob shown in FIG. 1.

Features shown in broken lines in the drawings form no part of the claimed design.

1 Claim, 2 Drawing Sheets



US D568,713 S

U.S. PATENT DOCUMENTS					
D232,621 S	9/1974	Zagaroli	D372,657 S	8/1996	De'Armond
D241,843 S	10/1976	Shames	D372,659 S	8/1996	De'Armond
D252,092 S	6/1979	Popeck	D373,065 S	8/1996	De'Armond
D252,183 S	6/1979	DeWindt	D373,066 S	8/1996	De'Armond
4,193,166 A	3/1980	Neff	D373,067 S	8/1996	De'Armond
D256,862 S	9/1980	Ryan et al.	D374,390 S	10/1996	De'Armond
D267,187 S	12/1982	Ronvik	D377,655 S	1/1997	Smith
D267,774 S	2/1983	Pittenger	D377,747 S	2/1997	De'Armond
D267,926 S	2/1983	Pittenger	D381,252 S	7/1997	Chieda
D268,246 S	3/1983	Tegner	D386,667 S	11/1997	Smith
D270,993 S	10/1983	Tegner	D388,272 S	12/1997	Moore
D270,994 S	10/1983	Tegner	D396,179 S	7/1998	Burns et al.
D271,464 S	11/1983	Carlson	D396,180 S	7/1998	Burns et al.
D272,800 S	2/1984	Pawlow	D399,117 S	10/1998	Burns et al.
D274,035 S	5/1984	Pawlow	D399,406 S	10/1998	Decursu et al.
D274,123 S	6/1984	Tegner	D399,407 S	10/1998	Burns et al.
D274,690 S	* 7/1984	Cesaroni	D399,723 S	10/1998	Burns et al.
D284,737 S	7/1986	Clayton	D401,834 S	12/1998	Burns et al.
D290,337 S	6/1987	Savage	D401,835 S	12/1998	Burns et al.
D290,493 S	6/1987	Dragos	D403,230 S	12/1998	Ziemer et al.
D295,827 S	5/1988	Benjamin	D403,571 S	1/1999	Burns et al.
D296,073 S	6/1988	Rhoades	D406,745 S	3/1999	Burns et al.
D297,211 S	8/1988	Rhoades	D411,728 S	6/1999	O'Neil
D300,505 S	4/1989	Palm, Jr. et al.	D411,793 S	7/1999	O'Neil
D305,862 S	2/1990	Clayton	D411,794 S	7/1999	O'Neil
D305,863 S	2/1990	Gresens et al.	D411,795 S	7/1999	O'Neil
D312,381 S	11/1990	Clayton	D413,248 S	8/1999	O'Neil
D322,659 S	12/1991	Reid et al.	D414,100 S	9/1999	O'Neil
D323,726 S	2/1992	Murphy	D415,257 S	10/1999	Abel
D326,219 S	5/1992	Clayton	D415,405 S	10/1999	O'Neil
D326,990 S	6/1992	Bishop	D416,465 S	11/1999	O'Neil
D326,991 S	6/1992	Bishop	D418,387 S	1/2000	O'Neil
D326,992 S	6/1992	Clayton	D418,388 S	1/2000	O'Neil
D326,993 S	6/1992	Clayton	D418,389 S	1/2000	O'Neil
D326,994 S	6/1992	Bishop	D418,803 S	1/2000	Klimenko
D326,997 S	6/1992	Clayton	D429,455 S	8/2000	Burns et al.
D327,196 S	6/1992	Crook et al.	D429,991 S	8/2000	Short
D327,407 S	6/1992	Clayton	D431,442 S	10/2000	Short
D327,420 S	6/1992	Bishop	D431,444 S	10/2000	Short
D327,530 S	6/1992	Rawald	D431,445 S	10/2000	Short
D333,697 S	3/1993	Thomas	D431,996 S	10/2000	Short
5,255,413 A	10/1993	Sabo	D434,633 S	12/2000	Short
5,333,430 A	8/1994	Vidal	D434,962 S	12/2000	Short
D355,834 S	2/1995	Chieda	D434,963 S	12/2000	Short
D355,835 S	2/1995	Chieda	D435,424 S	12/2000	Short
D355,837 S	2/1995	Chieda	D435,426 S	12/2000	Short
D355,838 S	2/1995	Chieda	D437,202 S	2/2001	O'Neil
D355,839 S	2/1995	Chieda	D444,028 S	* 6/2001	Rae
D356,724 S	3/1995	Chieda	D442,462 S	5/2002	Dewald et al.
D357,168 S	4/1995	Chieda	D506,378 S	6/2005	Coudurier
D361,491 S	8/1995	Chieda	D526,883 S	8/2006	Gilbert
D361,492 S	8/1995	Chieda	D541,131 S	4/2007	Ricereto et al.
D361,493 S	8/1995	Chieda	D541,619 S	5/2007	Ricereto
D361,496 S	8/1995	Chieda	D542,116 S	5/2007	Ricereto et al.
D361,498 S	8/1995	Chieda	D542,119 S	5/2007	Ricereto
D361,707 S	8/1995	Chieda	D542,622 S	5/2007	Ricereto
D366,998 S	2/1996	Hollingsworth	D542,623 S	5/2007	Ricereto
D367,217 S	2/1996	Hollingsworth-Ainscough	D543,088 S	5/2007	Ricereto
D367,417 S	2/1996	Ainscough	D543,436 S	5/2007	Ricereto
D368,014 S	3/1996	Ainscough	D545,665 S	7/2007	Ricereto et al.
D368,638 S	4/1996	Sonnenleiter			
D368,639 S	4/1996	Chieda			
D368,640 S	4/1996	Sonnenleiter			
D368,642 S	4/1996	Chieda			
D368,643 S	4/1996	Sonnenleiter			
D368,644 S	4/1996	Bishop			
D368,842 S	4/1996	Sonnenleiter			
D370,613 S	6/1996	Ainscough			
D370,614 S	6/1996	Ainscough			
D371,062 S	6/1996	Ainscough			
D372,414 S	8/1996	De'Armond			

* cited by examiner

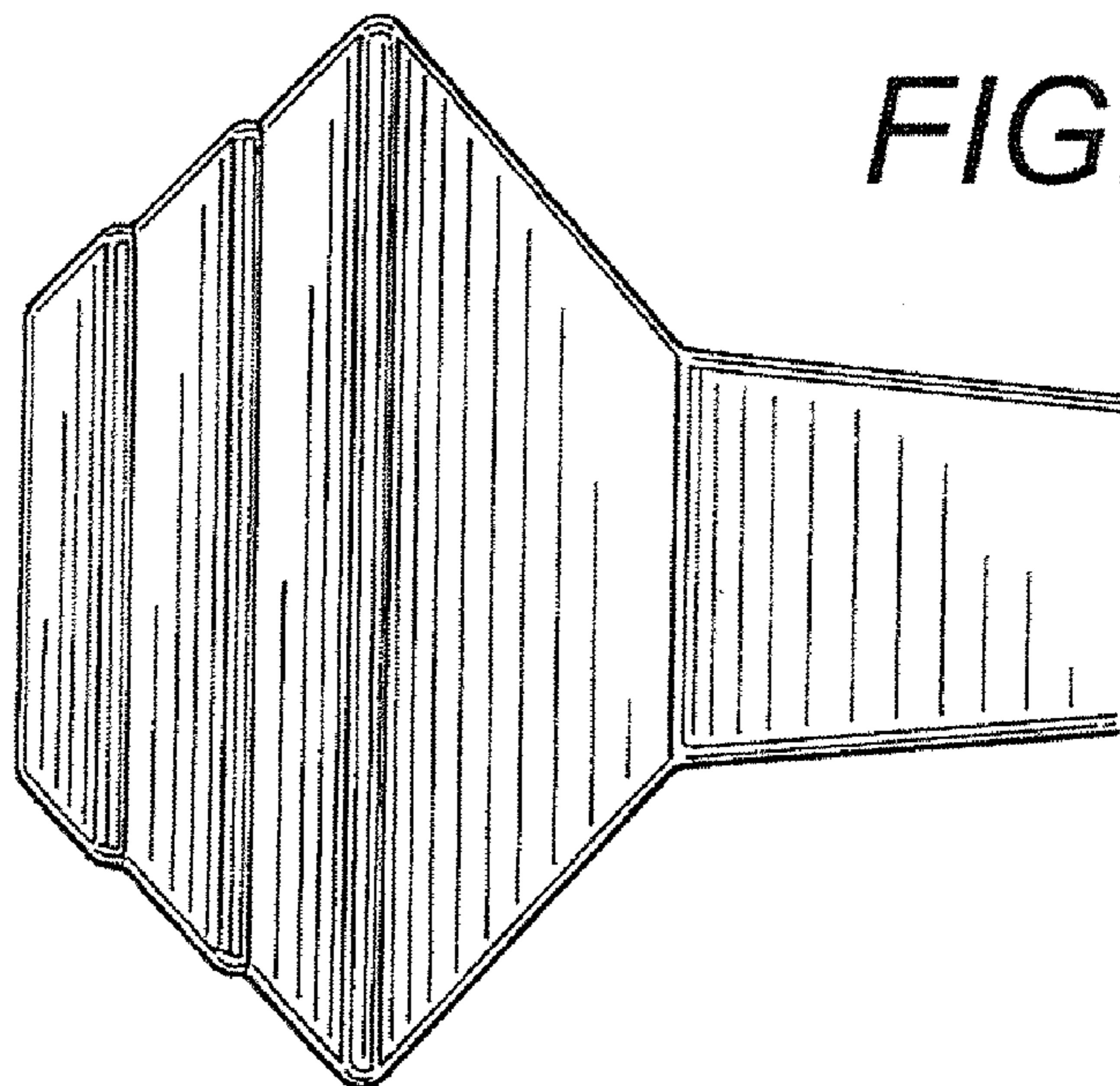
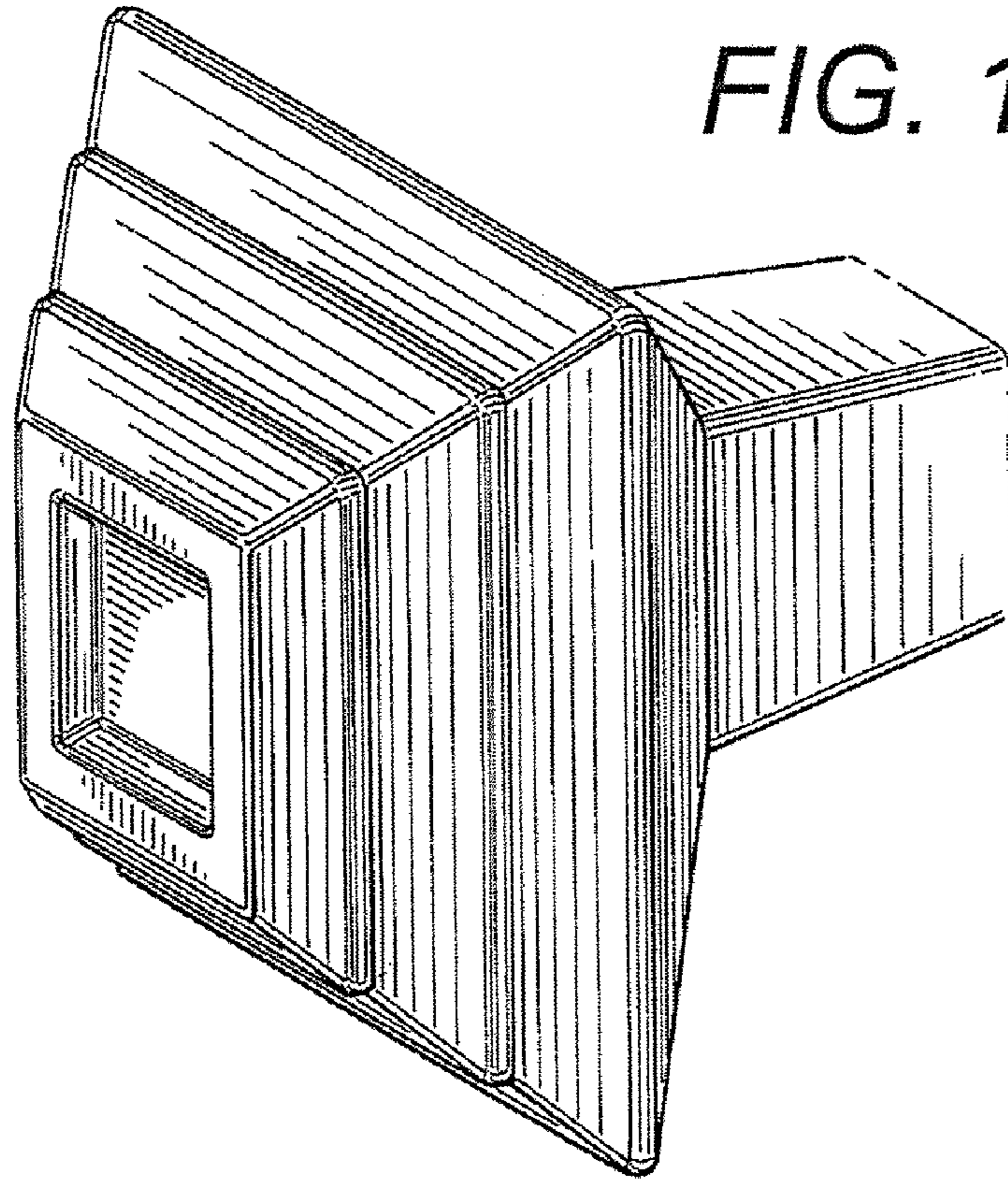


FIG. 3

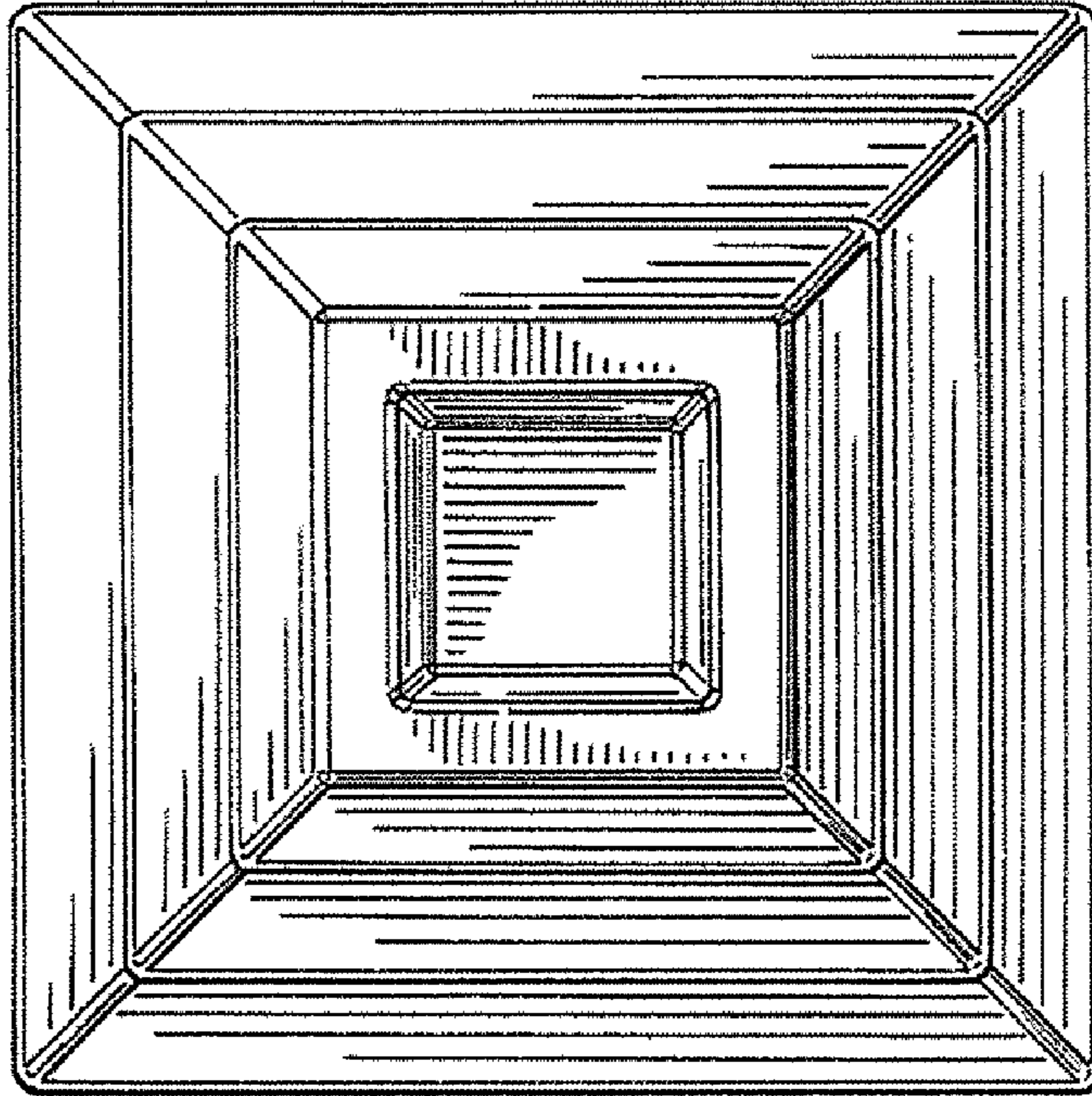


FIG. 4

