



US00D568712S

(12) **United States Design Patent**
Ricereto

(10) **Patent No.:** **US D568,712 S**
(45) **Date of Patent:** **** May 13, 2008**

- (54) **KNOB**
 - (75) Inventor: **Michael Hart Ricereto**, Baltimore, MD (US)
 - (73) Assignee: **Newell Operating Company**, Atlanta, GA (US)
 - (**) Term: **14 Years**
 - (21) Appl. No.: **29/279,599**
 - (22) Filed: **May 3, 2007**
 - (51) **LOC (8) Cl.** **08-06**
 - (52) **U.S. Cl.** **D8/305; D8/307**
 - (58) **Field of Classification Search** D8/300, D8/302, 307, 310, 378, 305; D7/393; D9/439, D9/453; D19/83, 54, 57, 58, 46; 16/110.1, 16/441, 443, DIG. 30, DIG. 12; D6/580, D6/581; 63/32; D23/250; D26/130, 136, D26/154; 292/348; D21/460; D11/90, D11/76; 40/332; 264/448
- See application file for complete search history.

- D152,901 S 3/1949 Petersen
- D169,533 S 5/1953 Deadrick
- 2,688,297 A 9/1954 Livemont et al.
- D178,865 S 10/1956 Clayton
- 2,796,627 A 6/1957 Heyer
- D186,053 S 9/1959 Clayton
- D194,968 S 4/1963 Stelma
- 3,096,115 A 7/1963 Patriquin et al.
- D199,839 S 12/1964 Simpson
- D200,953 S 4/1965 Menezes et al.
- D203,147 S 12/1965 Kaiser
- D203,148 S 12/1965 Kaiser
- D204,128 S 3/1966 Clayton
- D204,461 S 4/1966 Volker
- 3,280,230 A * 10/1966 Bradshaw, Jr. et al. 264/448
- D207,898 S 6/1967 Doman
- D217,431 S 5/1970 Russell
- D219,702 S 1/1971 Korol

(Continued)

Primary Examiner—Paula A Greene
(74) *Attorney, Agent, or Firm*—Banner & Witcoff, Ltd.

(56) **References Cited**

U.S. PATENT DOCUMENTS

- 436,523 A 9/1890 Glover
- 484,934 A * 10/1892 Jacobson 63/32
- D22,755 S 8/1893 Russell
- D35,238 S 10/1901 Tower
- 784,131 A 3/1905 Assel
- D47,069 S 3/1915 Burns
- D56,949 S * 1/1921 Tatler D21/460
- D67,474 S 6/1925 Rosenthal
- D74,553 S * 2/1928 Crawford D8/378
- 1,935,253 A * 11/1933 Stuart et al. 292/348
- 2,002,817 A 5/1935 Johnson
- D98,440 S 2/1936 Martin
- D100,034 S 6/1936 McCormick
- D104,262 S 4/1937 Hewes
- D115,537 S 7/1939 Bahr
- D116,935 S 10/1939 Jung
- D121,558 S 7/1940 Borchers
- D127,190 S 5/1941 Jung

(57) **CLAIM**

I claim the ornamental design for a knob, as shown and described.

DESCRIPTION

FIG. 1 is a perspective view of a knob of the present claimed design;

FIG. 2 is a side view of the knob shown in FIG. 1, the opposite side view being identical thereto;

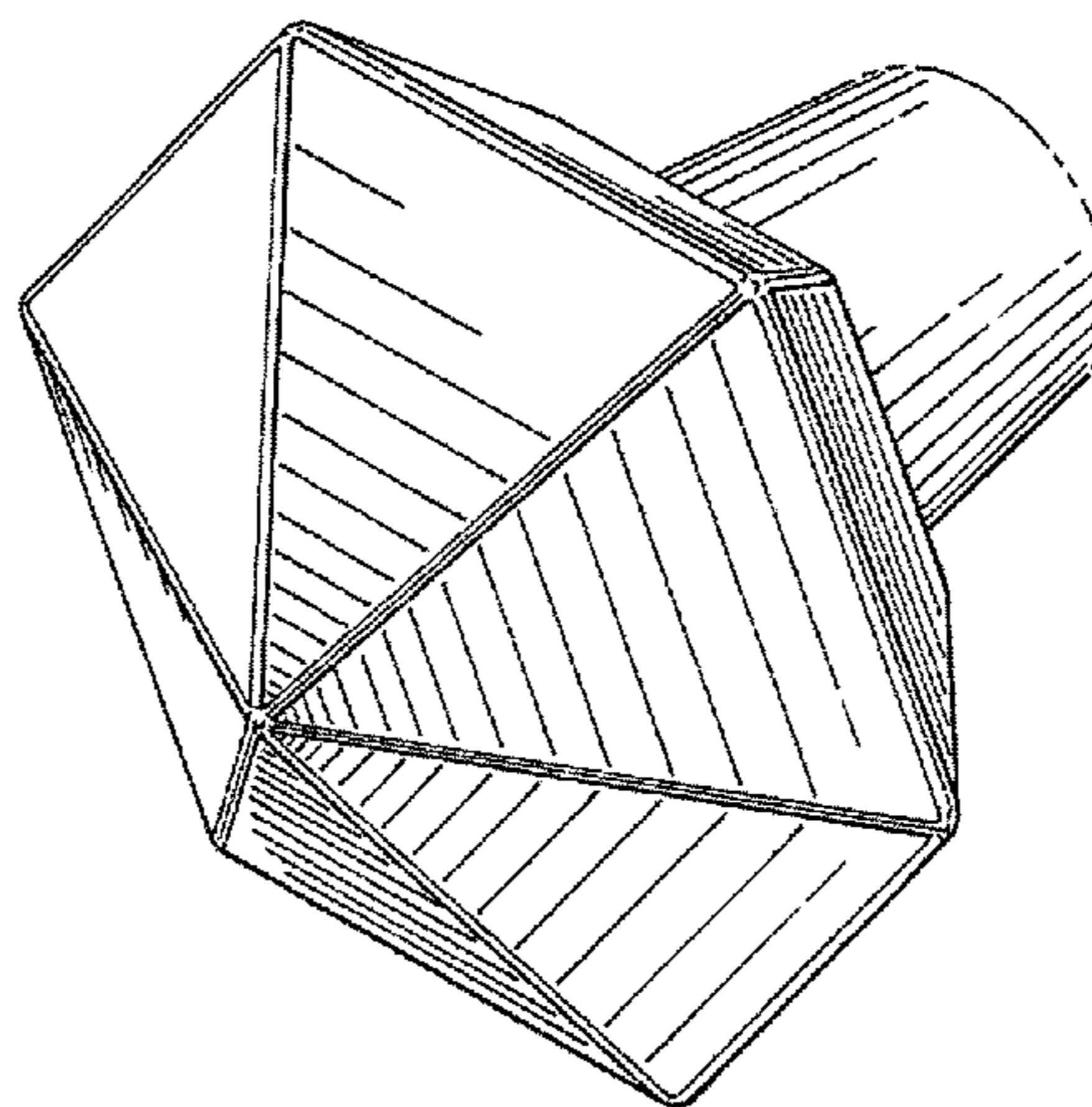
FIG. 3 is a top view of the knob shown in FIG. 1, the opposite bottom view being identical thereto;

FIG. 4 is a front view of the knob shown in FIG. 1; and,

FIG. 5 is a rear view of the knob shown in FIG. 1.

Features shown in broken lines in the drawings form no part of the claimed design.

1 Claim, 2 Drawing Sheets



US D568,712 S

U.S. PATENT DOCUMENTS							
D222,232	S	10/1971	Horgan	D370,613	S	6/1996	Ainscough
D224,225	S	7/1972	Doman	D370,614	S	6/1996	Ainscough
3,762,086	A *	10/1973	Horbinski	D371,062	S	6/1996	Ainscough
			40/332	D372,414	S	8/1996	De'Armond
D232,621	S	9/1974	Zagaroli	D372,657	S	8/1996	De'Armond
D241,843	S	10/1976	Shames	D372,659	S	8/1996	De'Armond
D252,092	S	6/1979	Popeck	D373,065	S	8/1996	De'Armond
D252,183	S	6/1979	DeWindt	D373,066	S	8/1996	De'Armond
4,193,166	A	3/1980	Neff	D373,067	S	8/1996	De'Armond
D256,862	S	9/1980	Ryan et al.	D374,390	S	10/1996	De'Armond
D267,187	S	12/1982	Ronvik	D377,655	S	1/1997	Smith
D267,774	S	2/1983	Pittenger	D377,747	S	2/1997	De'Armond
D267,926	S	2/1983	Pittenger	D381,252	S	7/1997	Chieda
D268,246	S	3/1983	Tegner	D386,667	S	11/1997	Smith
D270,993	S	10/1983	Tegner	D388,272	S	12/1997	Moore
D270,994	S	10/1983	Tegner	D396,179	S	7/1998	Burns et al.
D271,464	S	11/1983	Carlson	D396,180	S	7/1998	Burns et al.
D272,800	S	2/1984	Pawlow	D399,117	S	10/1998	Burns et al.
D274,035	S	5/1984	Pawlow	D399,406	S	10/1998	Decursu et al.
D274,123	S	6/1984	Tegner	D399,407	S	10/1998	Burns et al.
D280,446	S *	9/1985	Ishii	D399,723	S	10/1998	Burns et al.
			D26/130	D401,834	S	12/1998	Burns et al.
D284,737	S	7/1986	Clayton	D401,835	S	12/1998	Burns et al.
D290,337	S	6/1987	Savage	D403,230	S	12/1998	Ziemer et al.
D290,493	S	6/1987	Dragos	D403,571	S	1/1999	Burns et al.
D295,827	S	5/1988	Benjamin	D404,292	S *	1/1999	Weber
D296,073	S	6/1988	Rhoades				D8/378
D297,211	S	8/1988	Rhoades	D406,745	S	3/1999	Burns et al.
D300,505	S	4/1989	Palm, Jr. et al.	D411,728	S	6/1999	O'Neil
D303,810	S *	10/1989	Von Den Benken	D411,793	S	7/1999	O'Neil
			D19/46	D411,794	S	7/1999	O'Neil
D305,862	S	2/1990	Clayton	D411,795	S	7/1999	O'Neil
D305,863	S	2/1990	Gresens et al.	D413,248	S	8/1999	O'Neil
D312,381	S	11/1990	Clayton	D414,100	S	9/1999	O'Neil
D322,659	S	12/1991	Reid et al.	D415,257	S	10/1999	Abel
D323,726	S	2/1992	Murphy	D415,405	S	10/1999	O'Neil
D326,219	S	5/1992	Clayton	D416,465	S	11/1999	O'Neil
D326,990	S	6/1992	Bishop	D418,387	S	1/2000	O'Neil
D326,991	S	6/1992	Bishop	D418,388	S	1/2000	O'Neil
D326,992	S	6/1992	Clayton	D418,389	S	1/2000	O'Neil
D326,993	S	6/1992	Clayton	D418,803	S	1/2000	Klimenko
D326,994	S	6/1992	Bishop	D429,455	S	8/2000	Burns et al.
D326,997	S	6/1992	Clayton	D429,991	S	8/2000	Short
D327,196	S	6/1992	Crook et al.	D431,442	S	10/2000	Short
D327,407	S	6/1992	Clayton	D431,444	S	10/2000	Short
D327,420	S	6/1992	Bishop	D431,445	S	10/2000	Short
D327,530	S	6/1992	Rawald	D431,996	S	10/2000	Short
D333,697	S	3/1993	Thomas	D434,633	S	12/2000	Short
5,255,413	A	10/1993	Sabo	D434,962	S	12/2000	Short
5,333,430	A	8/1994	Vidal	D434,963	S	12/2000	Short
D355,834	S	2/1995	Chieda	D435,424	S	12/2000	Short
D355,835	S	2/1995	Chieda	D435,426	S	12/2000	Short
D355,837	S	2/1995	Chieda	D437,202	S	2/2001	O'Neil
D355,838	S	2/1995	Chieda	D442,462	S	5/2001	Dewald et al.
D355,839	S	2/1995	Chieda	D444,028	S *	6/2001	Rae
D356,724	S	3/1995	Chieda				D7/393
D357,168	S	4/1995	Chieda	D460,710	S *	7/2002	Zendron
D361,491	S	8/1995	Chieda				D11/90
D361,492	S	8/1995	Chieda	D506,378	S	6/2005	Coudurier
D361,493	S	8/1995	Chieda	D526,883	S	8/2006	Gilbert
D361,496	S	8/1995	Chieda	D541,131	S	4/2007	Ricereto et al.
D361,498	S	8/1995	Chieda	D541,619	S	5/2007	Ricereto
D361,707	S	8/1995	Chieda	D542,116	S	5/2007	Ricereto et al.
D366,998	S	2/1996	Hollingsworth	D542,119	S	5/2007	Ricereto
D367,217	S	2/1996	Hollingsworth-Ainscough	D542,622	S	5/2007	Ricereto
D367,417	S	2/1996	Ainscough	D542,623	S	5/2007	Ricereto
D368,014	S	3/1996	Ainscough	D543,088	S	5/2007	Ricereto
D368,638	S	4/1996	Sonnenleiter	D543,436	S	5/2007	Ricereto
D368,639	S	4/1996	Chieda	D545,665	S	7/2007	Ricereto et al.
D368,640	S	4/1996	Sonnenleiter				
D368,642	S	4/1996	Chieda				
D368,643	S	4/1996	Sonnenleiter				
D368,644	S	4/1996	Bishop				
D368,842	S	4/1996	Sonnenleiter				

* cited by examiner

FIG. 1

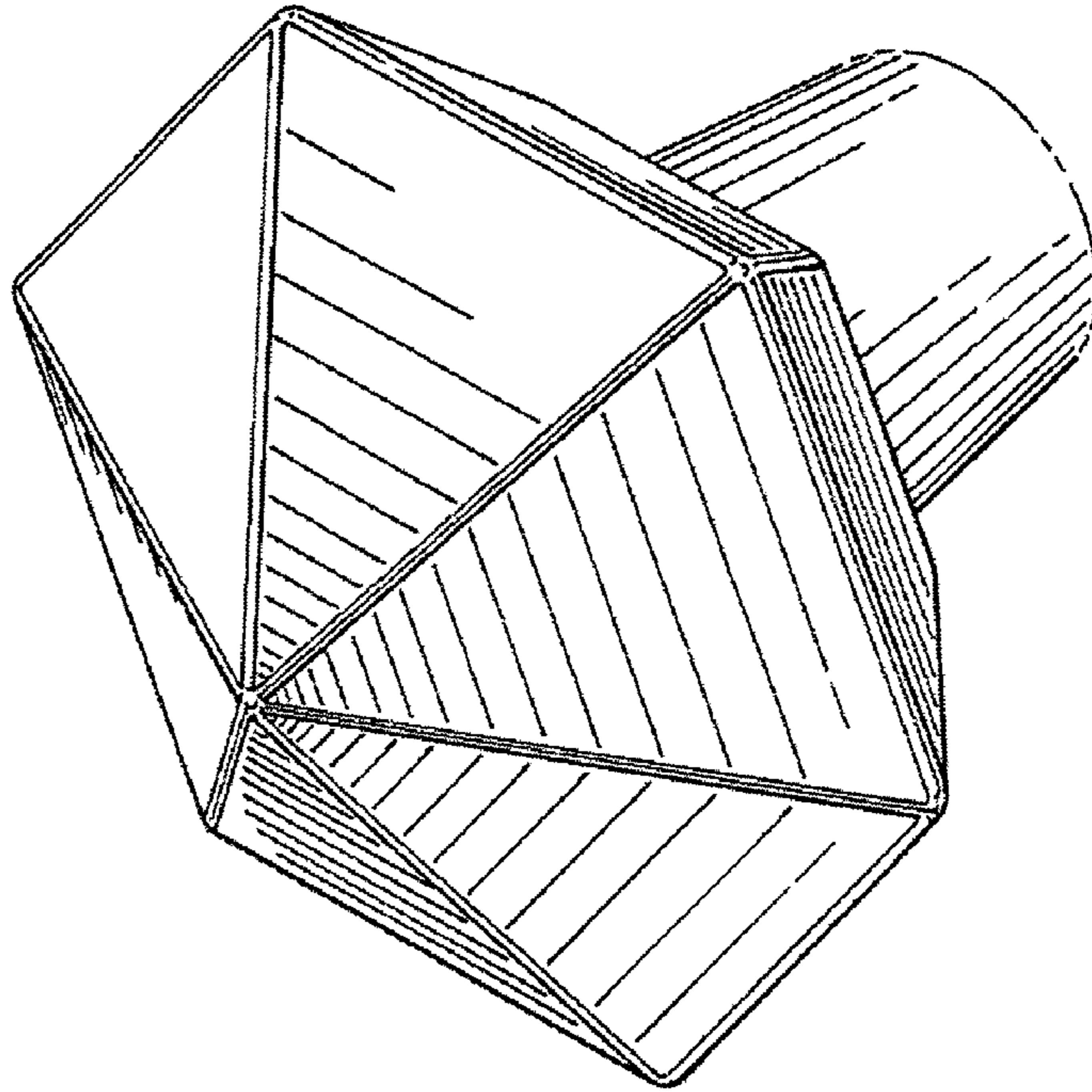
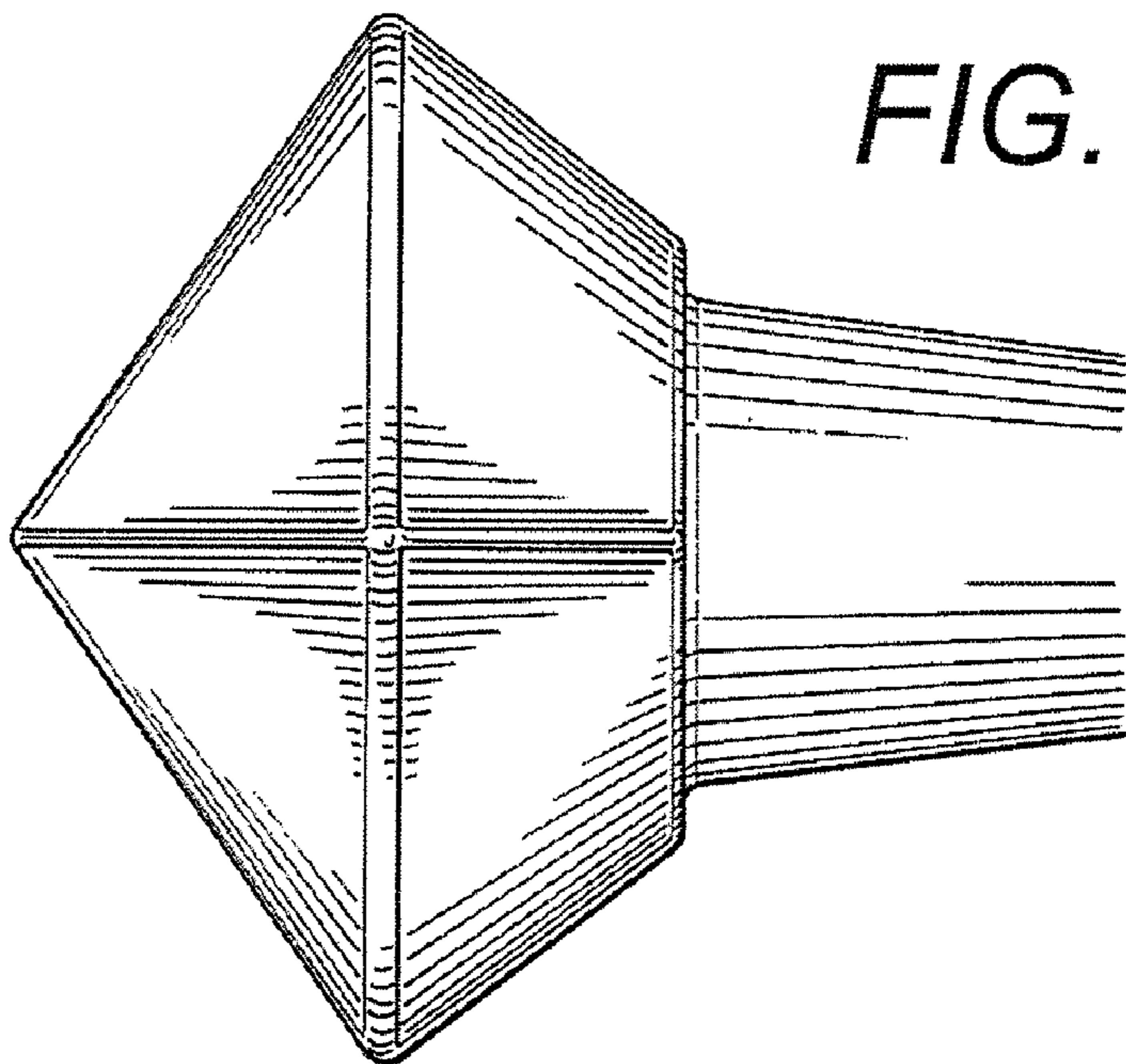


FIG. 2



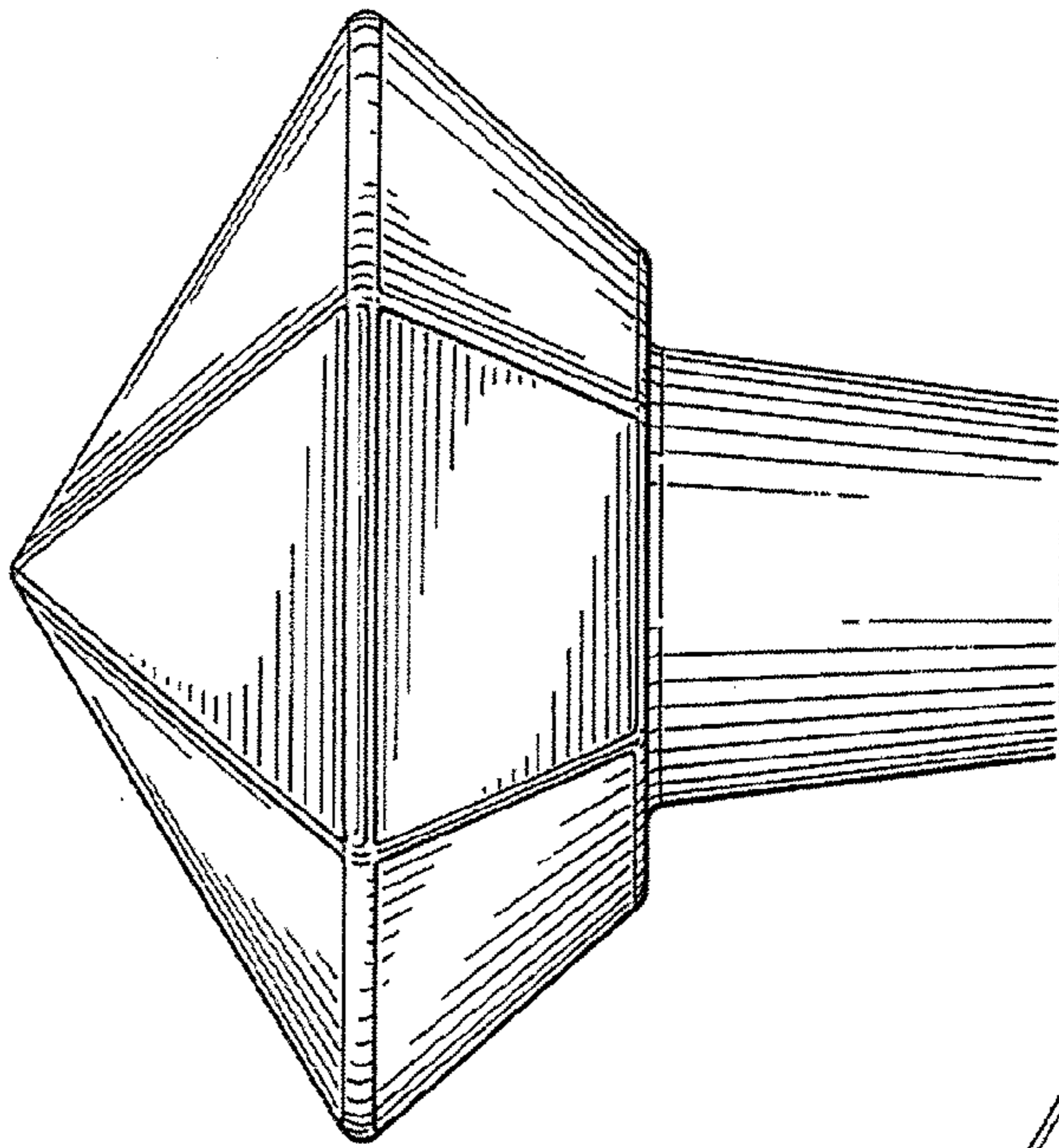


FIG. 3

FIG. 4

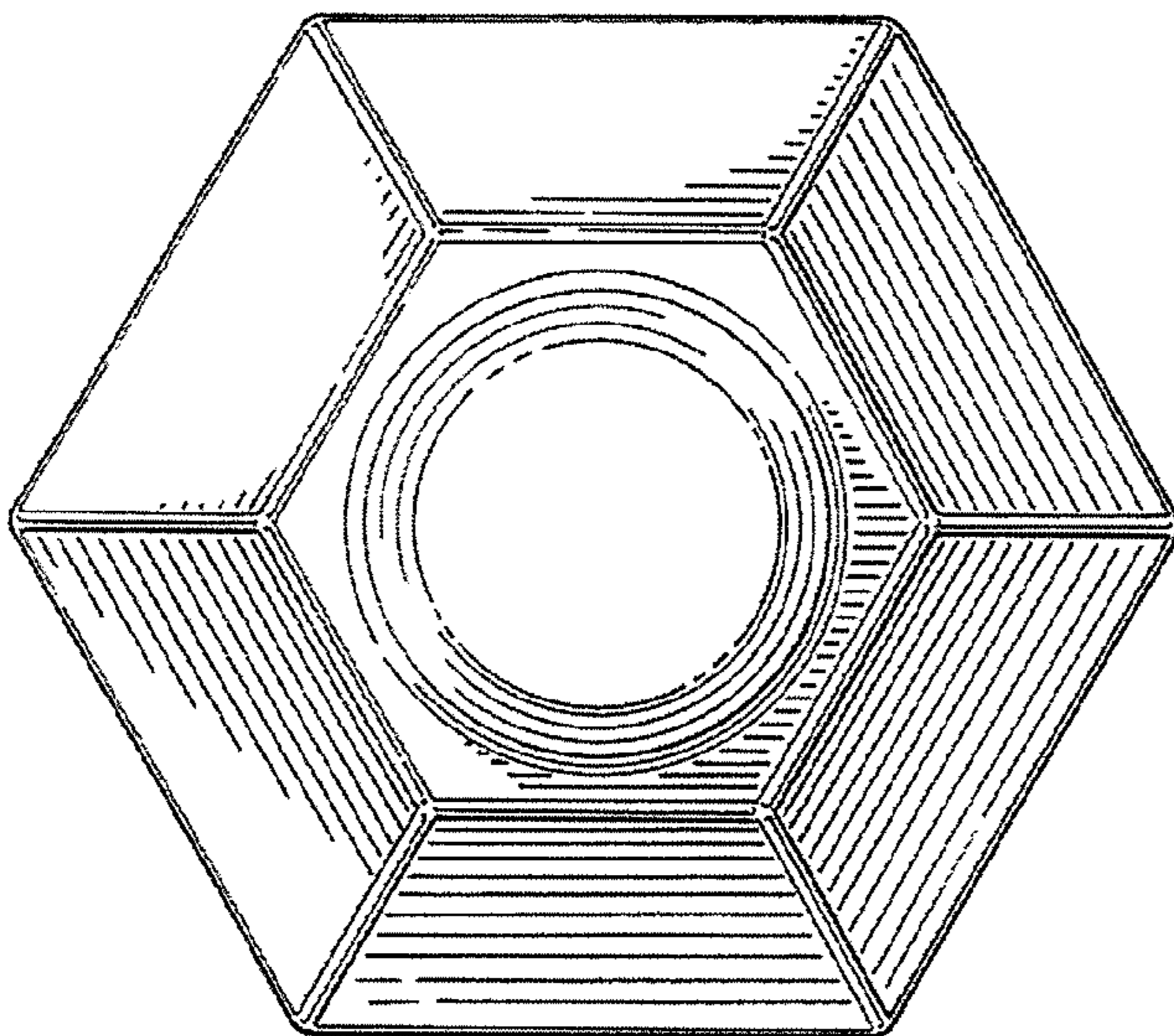
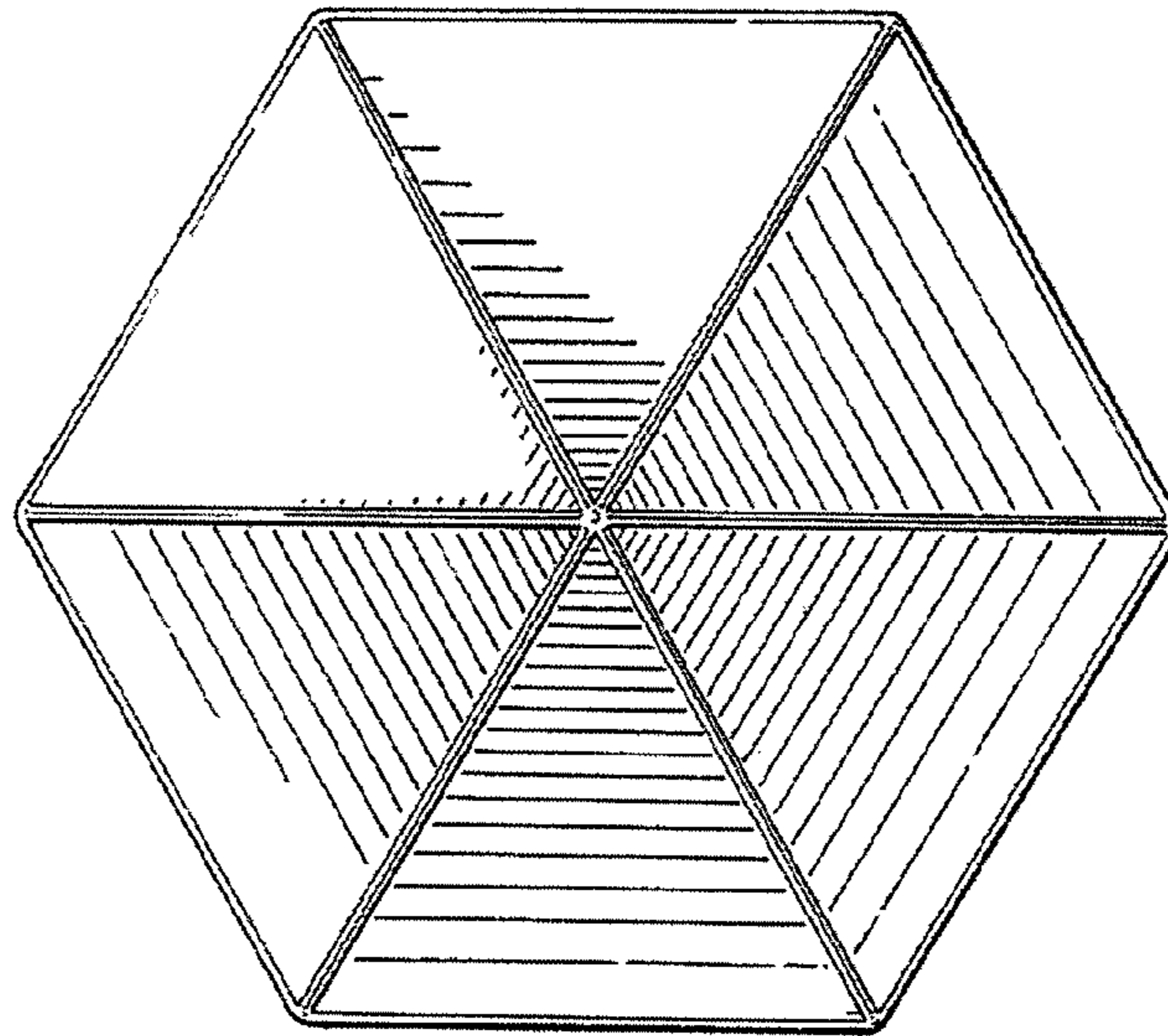


FIG. 5