



US00D568708S

(12) **United States Design Patent**
Petrucelli

(10) **Patent No.:** **US D568,708 S**

(45) **Date of Patent:** **** May 13, 2008**

(54) **HOLDER ARM FOR HAIR DRESSER'S HAIR DRYER, FLAT IRON AND CURLING IRON**

2007/0034767 A1* 2/2007 Mastropaolo et al. 248/447.2
* cited by examiner

(75) Inventor: **Giulio Petrucelli**, Flushing, NY (US)

Primary Examiner—Louis S. Zarfes
Assistant Examiner—David G Muller

(73) Assignee: **P.S. Pibbs, Inc.**, Flushing, NY (US)

(74) *Attorney, Agent, or Firm*—Anthony J. Casella; Gerald E. Hespos

(**) Term: **14 Years**

(21) Appl. No.: **29/251,567**

(57) **CLAIM**

(22) Filed: **Jan. 10, 2006**

The ornamental design for a holder arm for hair dresser's hair dryer, flat iron and curling iron, as shown and described.

(51) **LOC (8) Cl.** **08-05**

(52) **U.S. Cl.** **D8/73**

(58) **Field of Classification Search** D8/71-74,
D8/394, 354, 106, 355, 380; 248/58, 230.1,
248/230.6, 231.71, 176.1, 917, 441.1, 447.2;
D28/17, 18, 61, 73; D6/323, 327, 418, 419,
D6/487; D26/60; D23/266; 138/107, 109
See application file for complete search history.

DESCRIPTION

FIG. 1 is a perspective view of the holder arm of the subject invention illustrated in its retracted position against a wall.

FIG. 2 is a front elevational view of the holder arm of the subject invention;

FIG. 3 is a top plan view of the holder arm of the subject invention;

FIG. 4 is a side elevational view of the holder arm of the subject invention taken from the left side of FIG. 3;

FIG. 5 is a side elevational view of the holder arm of the subject invention taken from the right side of FIG. 3;

FIG. 6 is a rear elevational view of the holder arm of the subject invention;

FIG. 7 is a bottom plan view of the subject invention;

FIG. 8 is a perspective view of the holder arm of the subject invention with a hair dryer holding device attached thereto; and,

FIG. 9 is a perspective view of the holder arm of the subject invention with a flat iron holding device attached thereto.

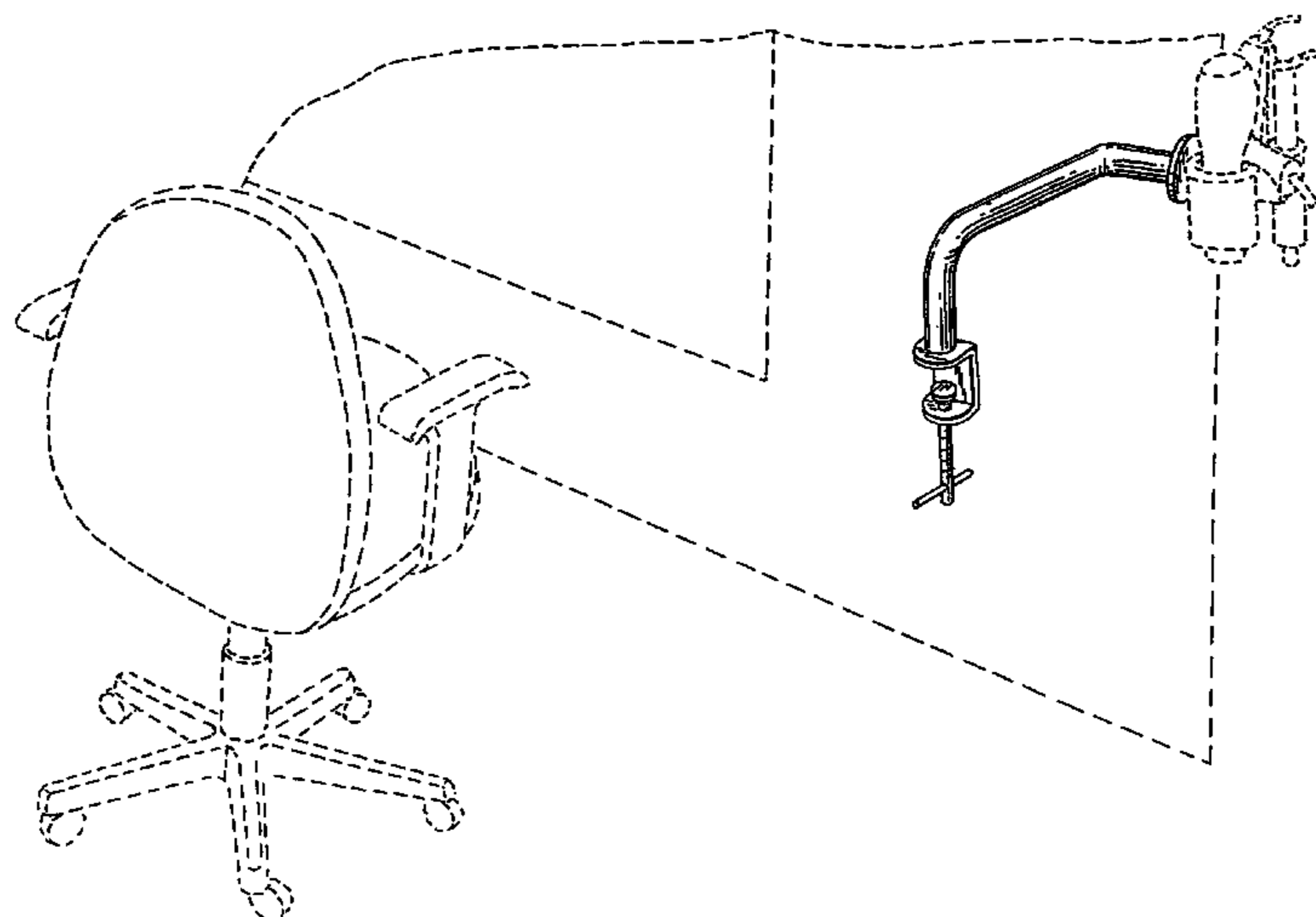
The broken line showing of parts attached to the holding arm, including the hair dryer and flat iron of FIGS. 8 and 9 are included for the purpose of illustrating use and environment and form no part of the claimed design.

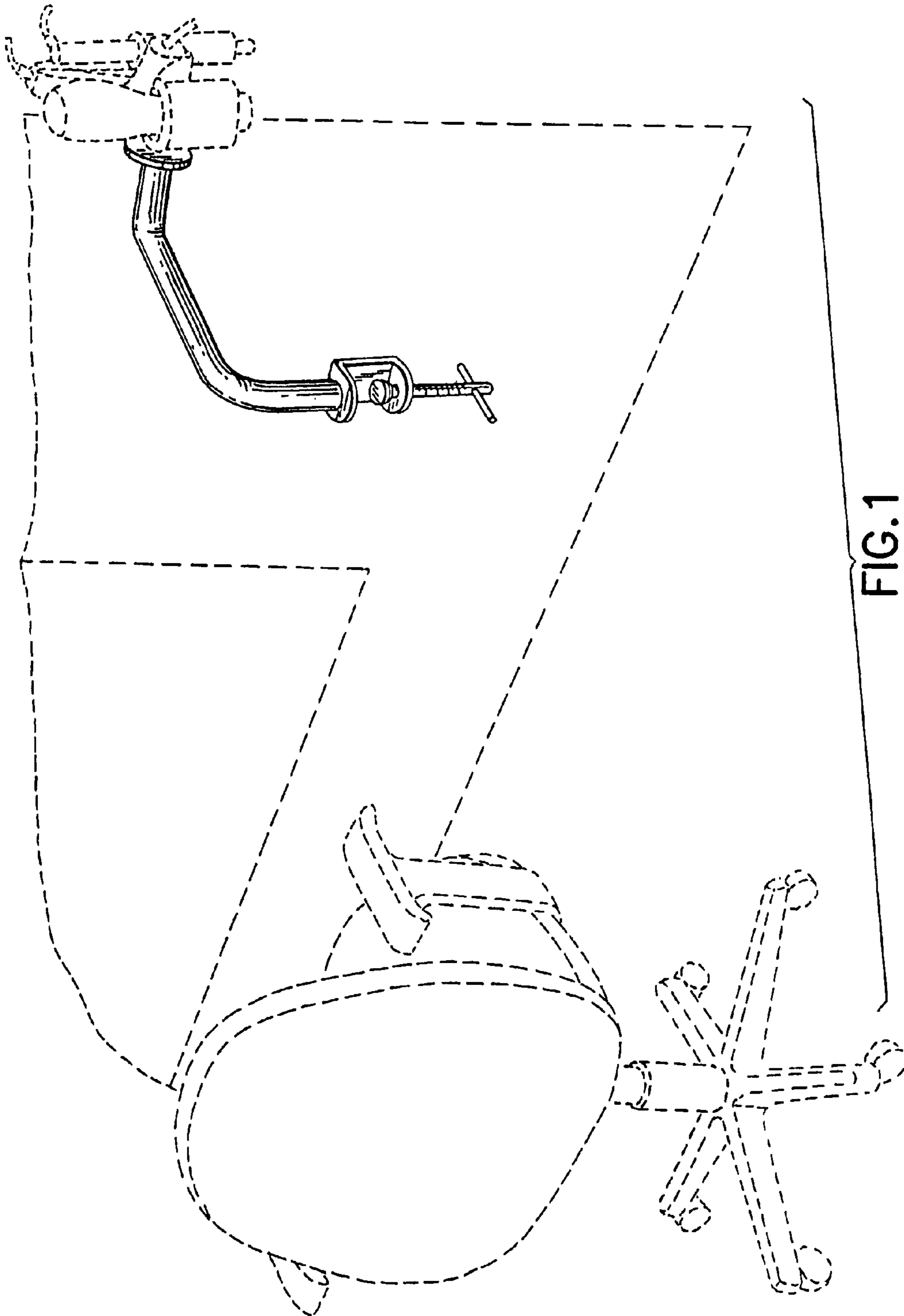
(56) **References Cited**

U.S. PATENT DOCUMENTS

454,553	A *	6/1891	Whitten	248/447.2
470,207	A *	3/1892	Morrison	248/447.2
1,369,760	A *	2/1921	King et al.	248/447.2
1,798,809	A *	3/1931	Randall	248/447.2
3,424,419	A *	1/1969	Siegel	248/231.71
D241,215	S *	8/1976	Smith	D6/418
D266,273	S *	9/1982	Bass	D24/199
4,569,498	A *	2/1986	Ermanski	248/441.1
4,867,407	A *	9/1989	Becker	248/444.1
D324,462	S *	3/1992	Karnaze	D6/419
D334,590	S *	4/1993	Villano	D8/72
D346,221	S *	4/1994	Godfrey	D24/199
D377,276	S *	1/1997	Hirsch et al.	D6/419
D385,052	S *	10/1997	Huang	D26/60
D423,717	S *	4/2000	Taylor	D28/73
D489,924	S *	5/2004	Luong	D6/418
D542,961	S *	5/2007	Mellon	D26/60
2001/0035486	A1 *	11/2001	Pryor	248/441.1

1 Claim, 6 Drawing Sheets





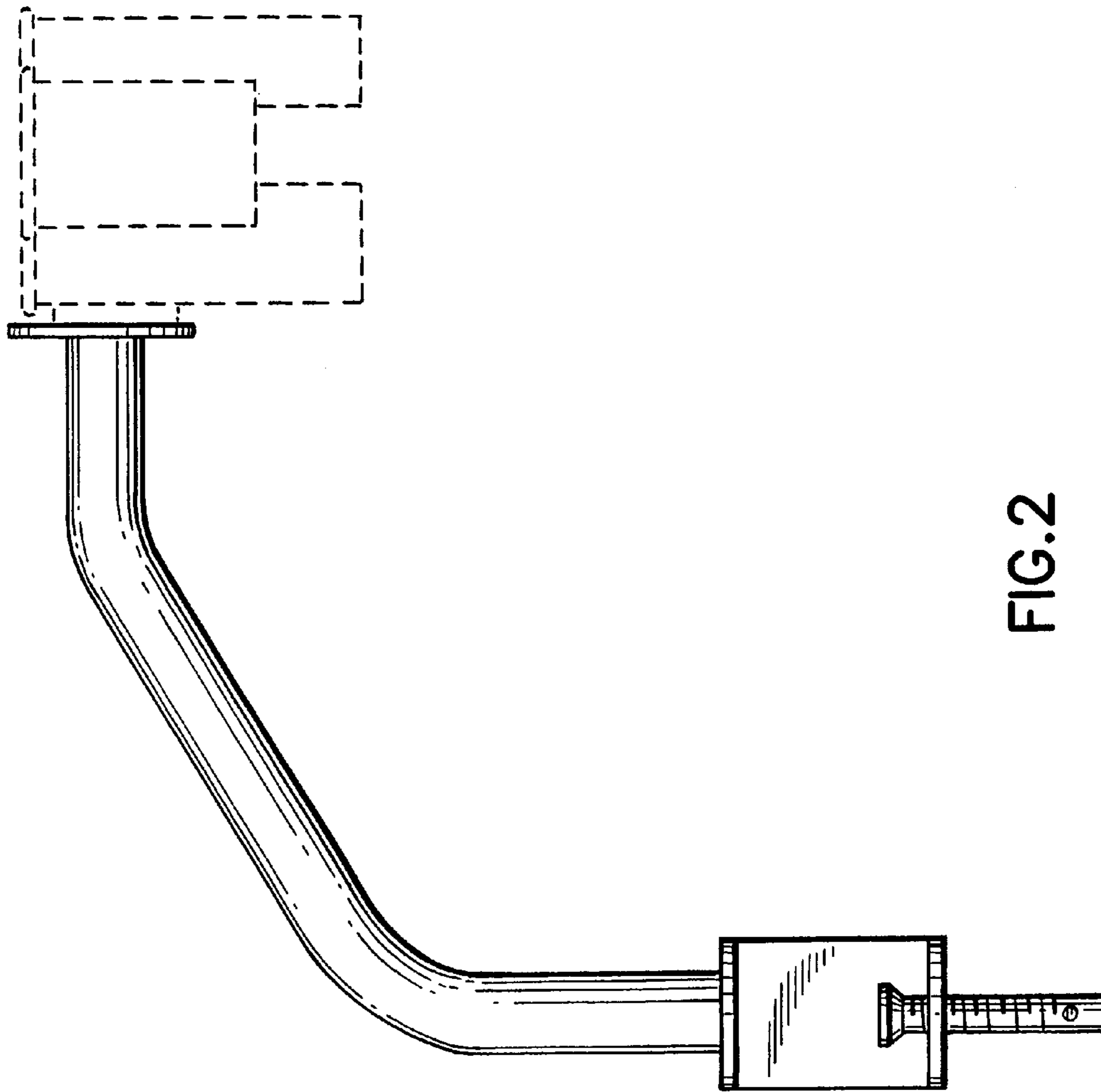


FIG.2

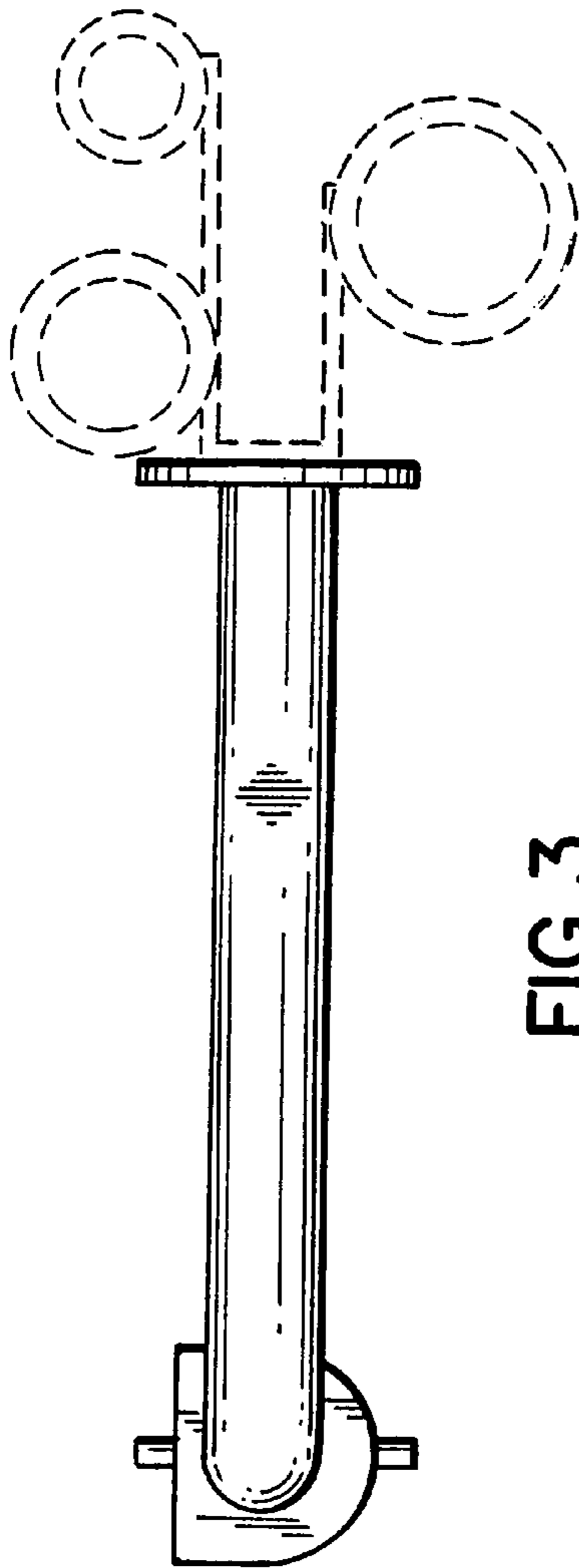


FIG. 3

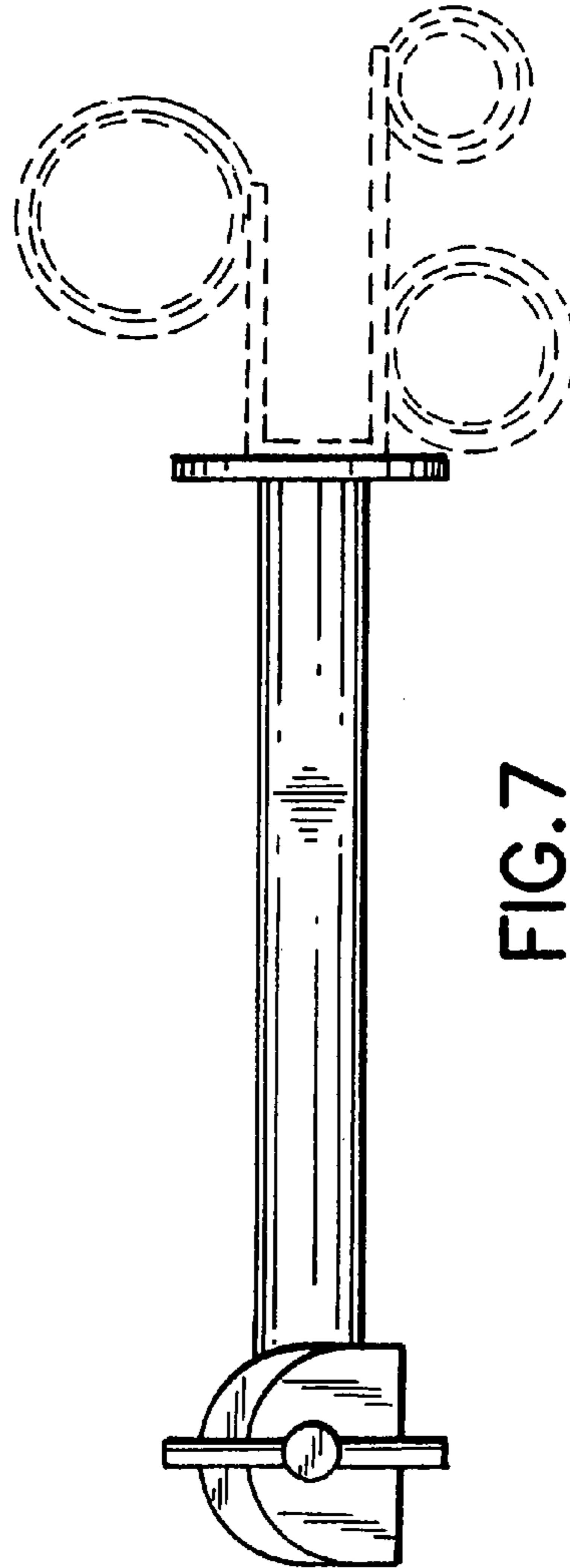


FIG. 7

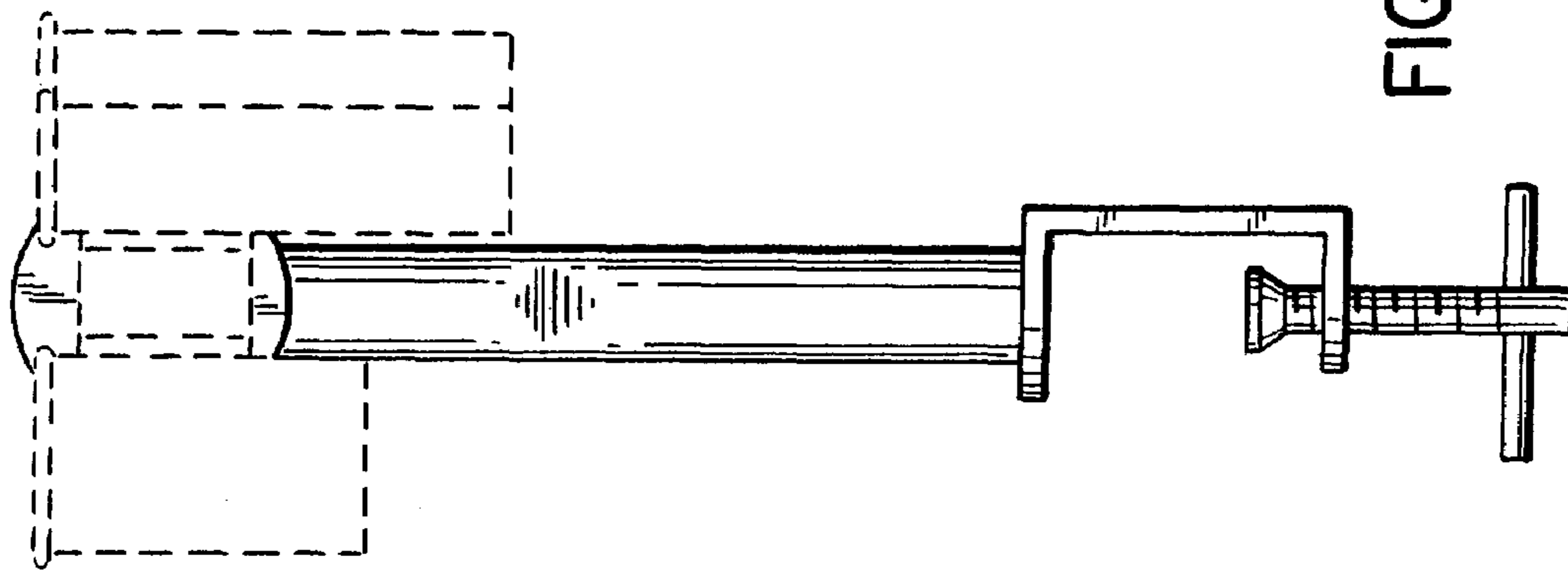


FIG. 5

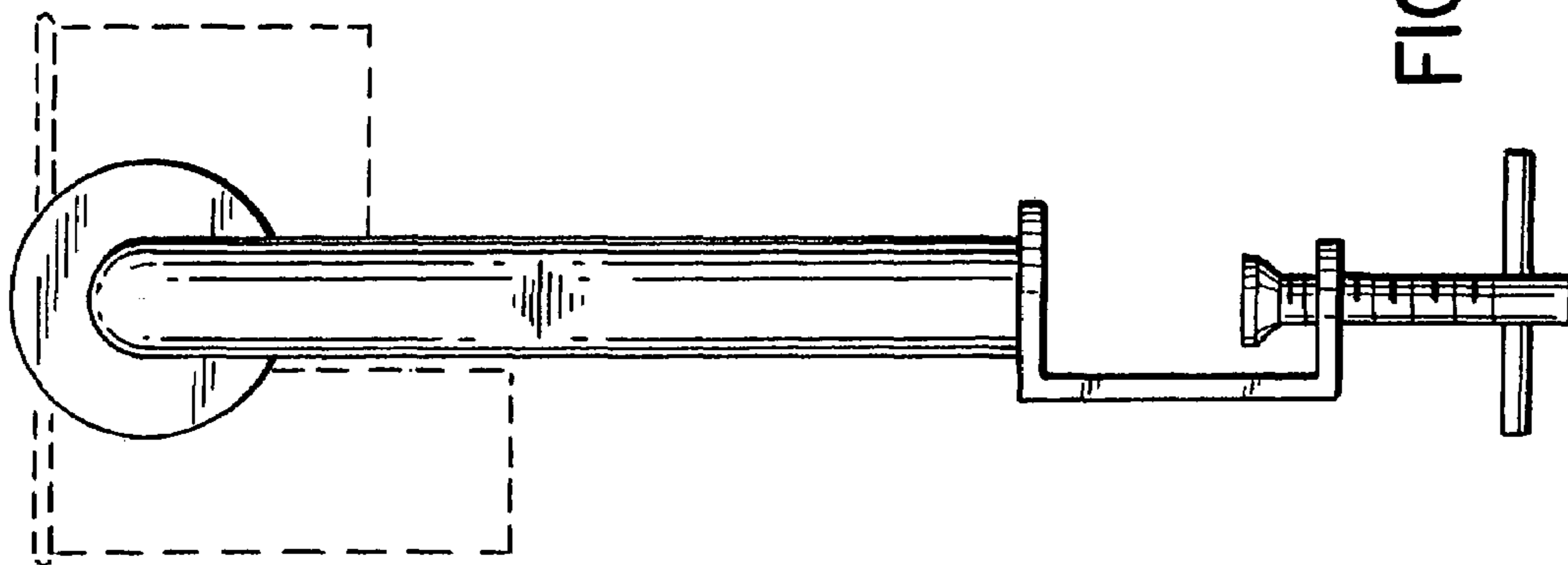


FIG. 4

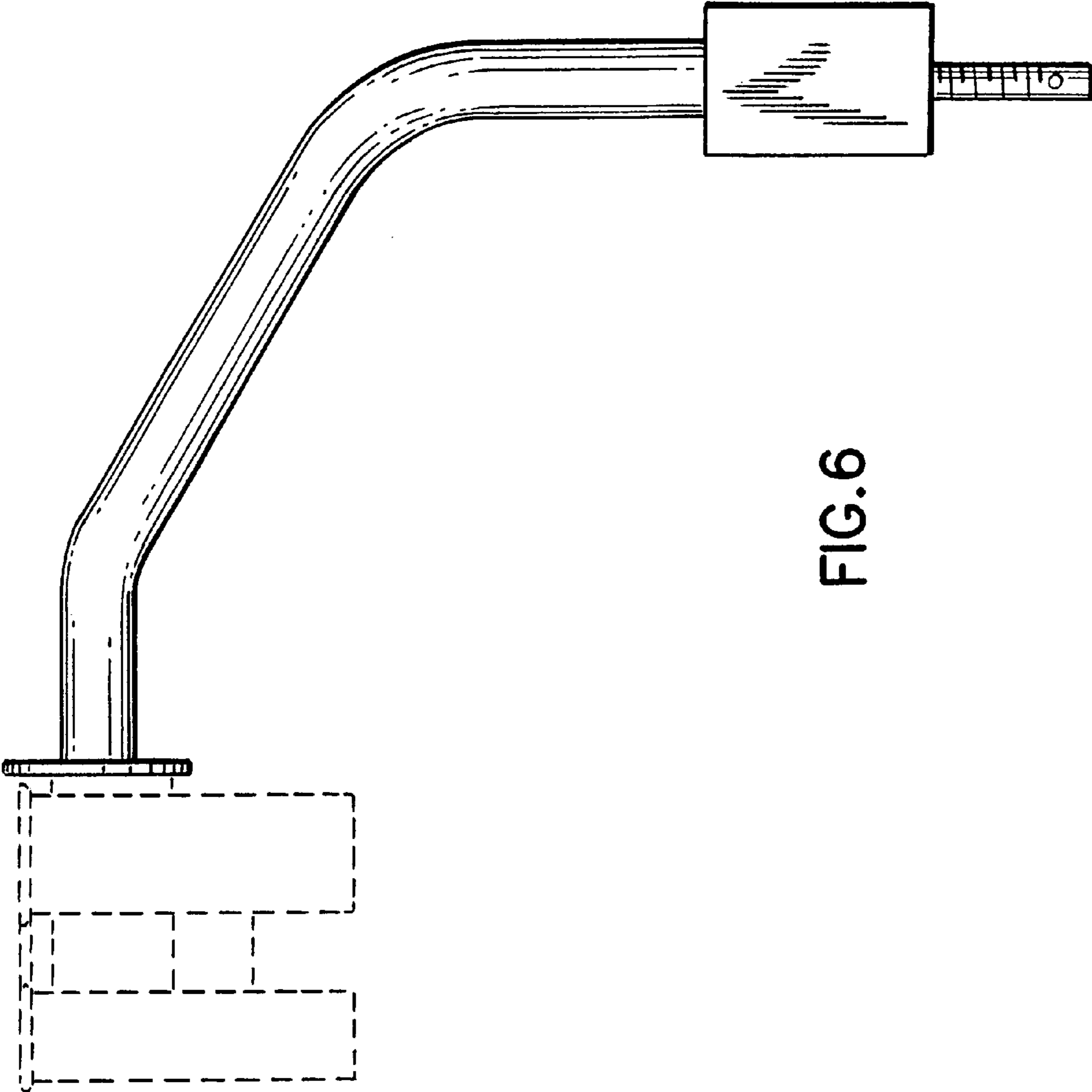


FIG. 6

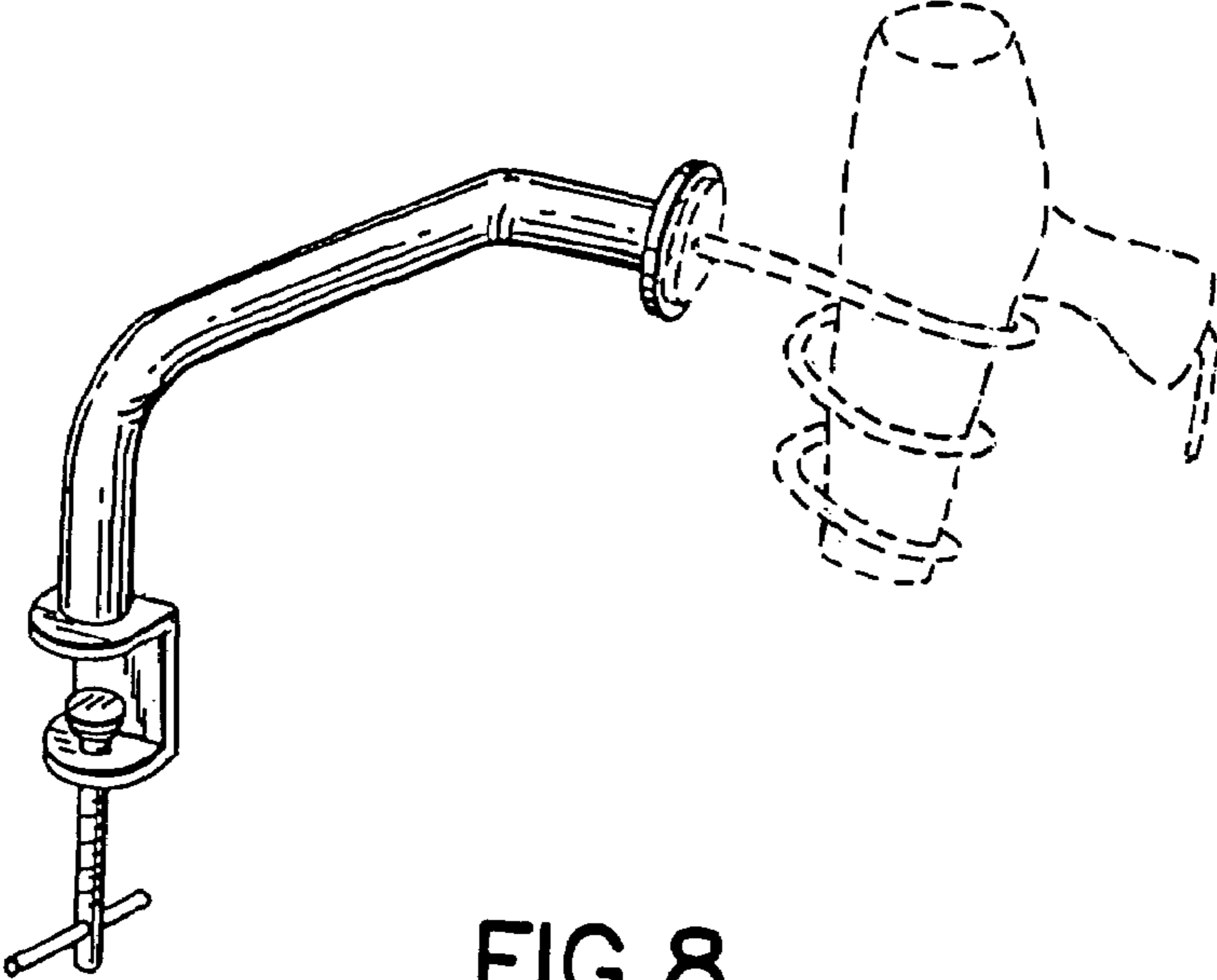


FIG. 8

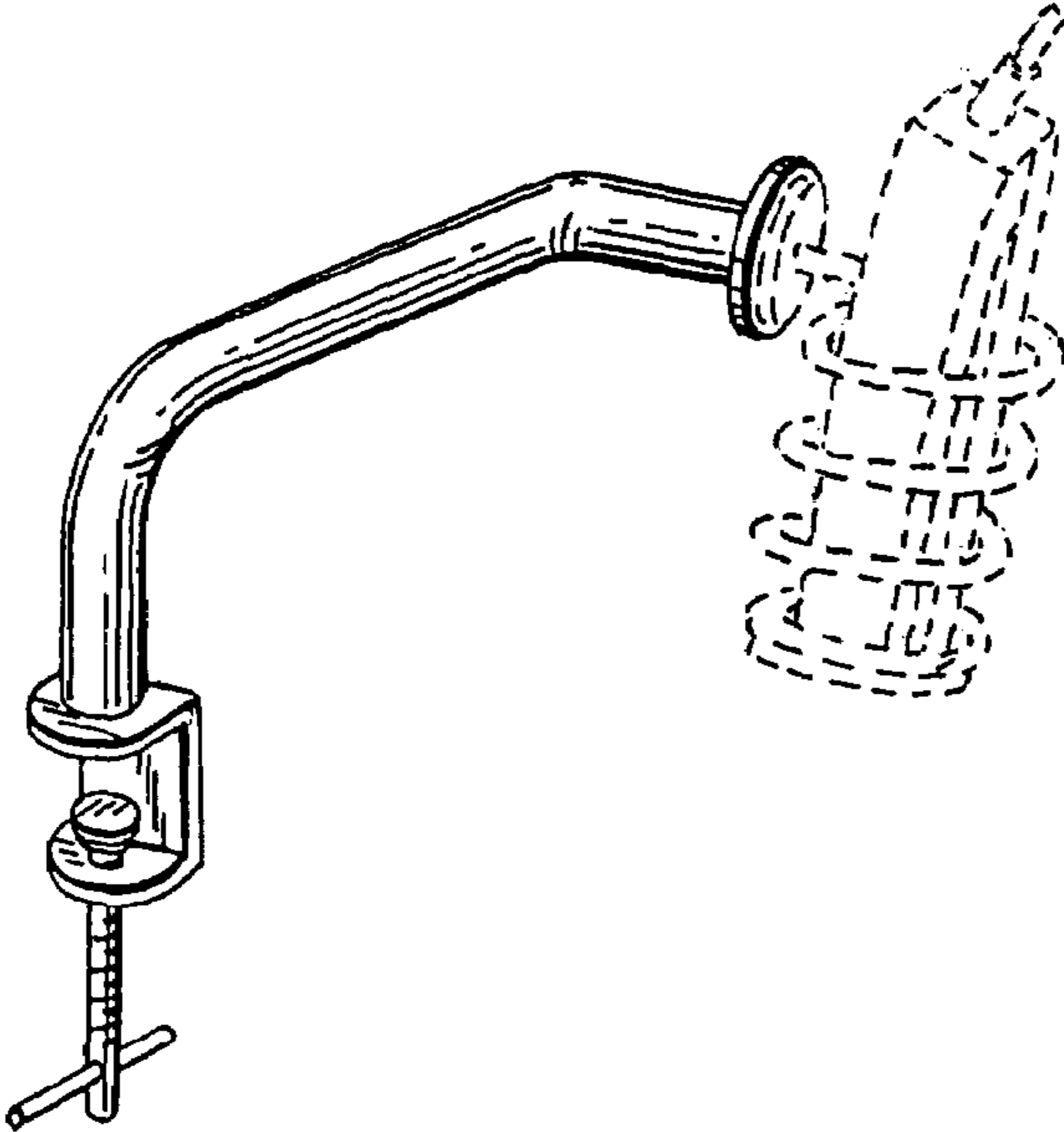


FIG. 9