



US00D568707S

(12) **United States Design Patent**
Weiby

(10) **Patent No.:** **US D568,707 S**

(45) **Date of Patent:** **** May 13, 2008**

(54) **CLAMPING JIG**

(75) Inventor: **Michael Weiby**, Bartlett, IL (US)

(73) Assignee: **Sears Brands, LLC.**, Chicago, IL (US)

(**) Term: **14 Years**

(21) Appl. No.: **29/296,593**

(22) Filed: **Oct. 24, 2007**

(51) **LOC (8) Cl.** **08-05**

(52) **U.S. Cl.** **D8/72**

(58) **Field of Classification Search** D8/71,
D8/72, 74, 394, 354, 106; D25/119, 122,
D25/123; 269/2, 4, 43, 156, 148, 37, 45;
D15/140; 144/144.52, 306, 307; 49/404,
49/413, 425; 83/762; 81/487

See application file for complete search history.

(56) **References Cited**

U.S. PATENT DOCUMENTS

| | | | | | |
|-----------|------|---------|-----------------|-------|---------|
| 4,047,333 | A * | 9/1977 | Riegelman | | 49/425 |
| D310,376 | S * | 9/1990 | Johnsen | | D15/140 |
| D312,315 | S * | 11/1990 | Westphal et al. | | D25/122 |
| D340,465 | S * | 10/1993 | Guertin | | D15/140 |
| D359,565 | S * | 6/1995 | Hallsten | | D25/119 |
| 5,488,803 | A * | 2/1996 | George | | 49/425 |
| D402,049 | S * | 12/1998 | Goodchild | | D25/122 |
| 5,884,904 | A * | 3/1999 | Martini | | 269/45 |
| D424,711 | S * | 5/2000 | Johnsson et al. | | D25/122 |
| 6,189,457 | B1 | 2/2001 | Campfield | | |
| 6,336,247 | B1 * | 1/2002 | Schnoor | | 49/425 |

| | | | | | |
|--------------|------|---------|----------------|-------|---------|
| D474,286 | S * | 5/2003 | Gregori | | D25/122 |
| D497,010 | S * | 10/2004 | Brabeck | | D25/119 |
| 6,958,423 | B2 | 10/2005 | Parks et al. | | |
| D511,219 | S * | 11/2005 | Cleary | | D25/119 |
| D512,893 | S * | 12/2005 | Cowan | | D8/71 |
| D519,543 | S * | 4/2006 | Walker et al. | | D8/354 |
| D522,147 | S * | 5/2006 | Morton et al. | | D25/119 |
| 7,055,813 | B2 | 6/2006 | Hexamer, Jr. | | |
| 7,147,412 | B2 | 12/2006 | Davis | | |
| D541,953 | S * | 5/2007 | Deleu | | D25/122 |
| D554,773 | S * | 11/2007 | Antonic et al. | | D25/119 |
| D554,978 | S * | 11/2007 | Radke | | D8/354 |
| 2008/0006976 | A1 * | 1/2008 | Riley | | 269/43 |
| 2008/0010902 | A1 * | 1/2008 | Kim | | 49/404 |

* cited by examiner

Primary Examiner—Louis S. Zarfes

Assistant Examiner—David G Muller

(74) *Attorney, Agent, or Firm*—Greenberg Traurig LLP

(57) **CLAIM**

What is claimed is the ornamental design for a “clamping jig,” as shown and described.

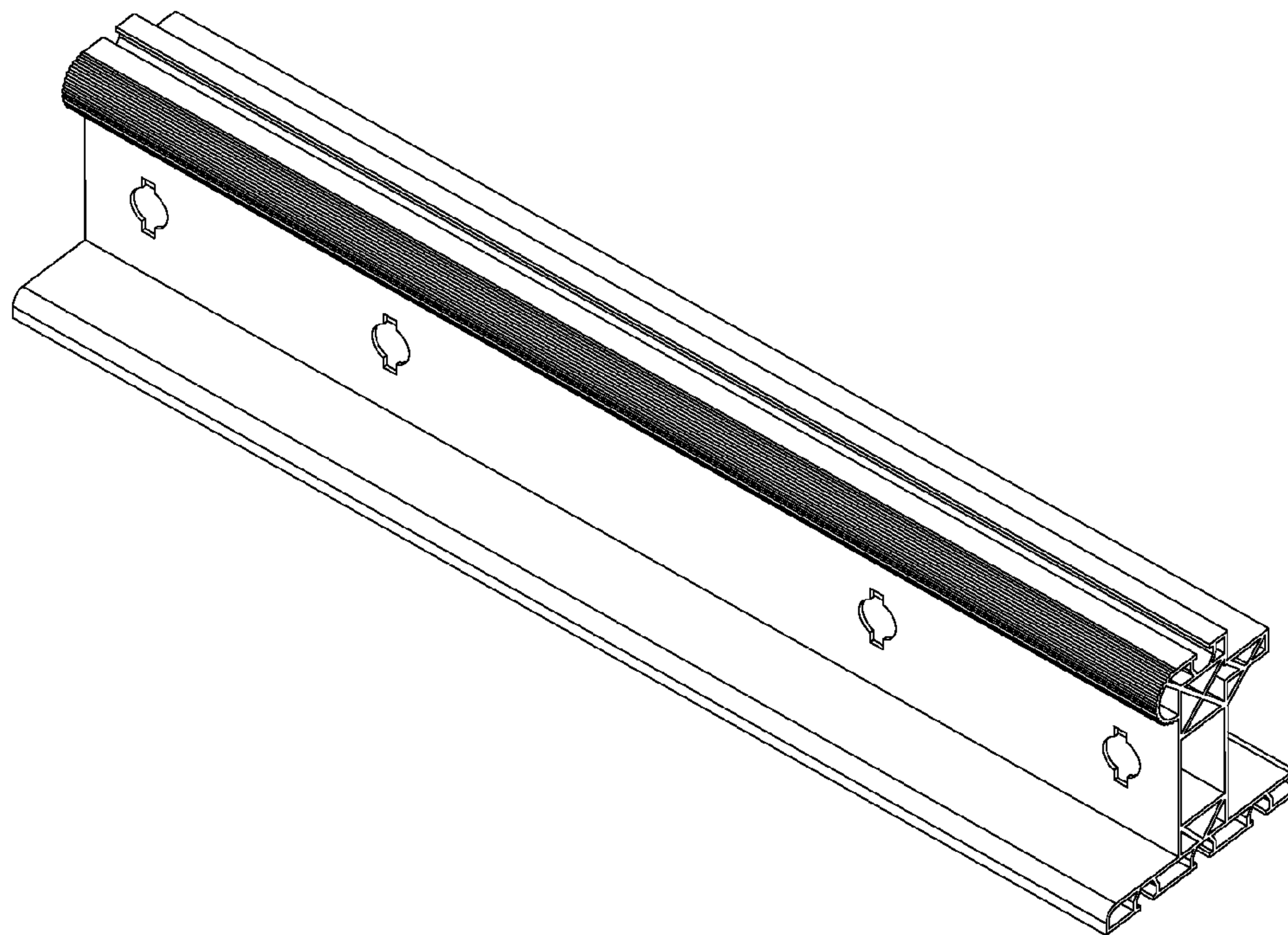
DESCRIPTION

The present application claims priority to U.S. Utility patent application Ser. No. 11/852,462, entitled “Clamping Jig,” filed Sep. 10, 2007.

FIG. 1 is an isometric view of a clamping jig; and,

FIG. 2 is an end-view of the clamping jig.

1 Claim, 1 Drawing Sheet



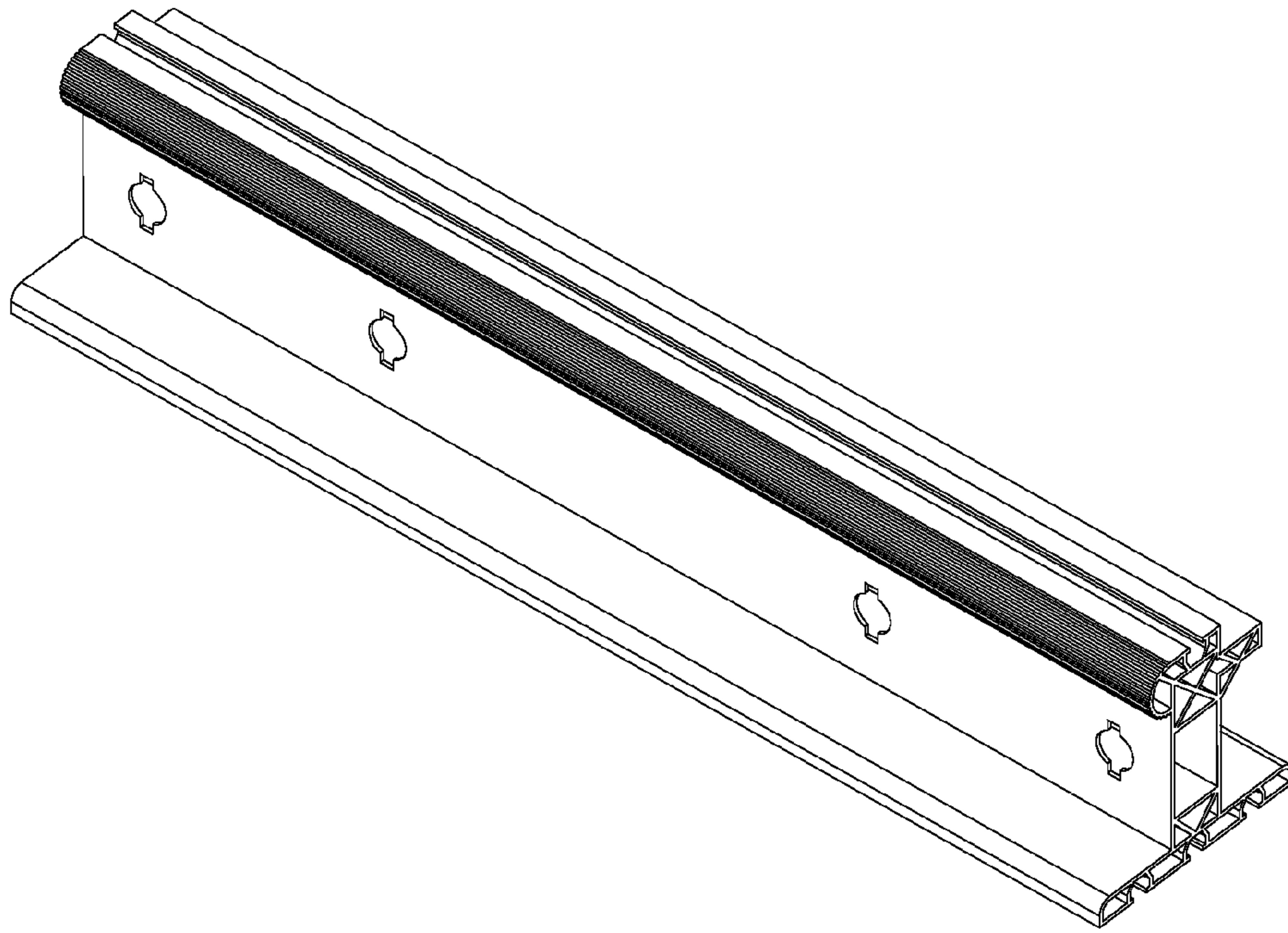


FIG. 1

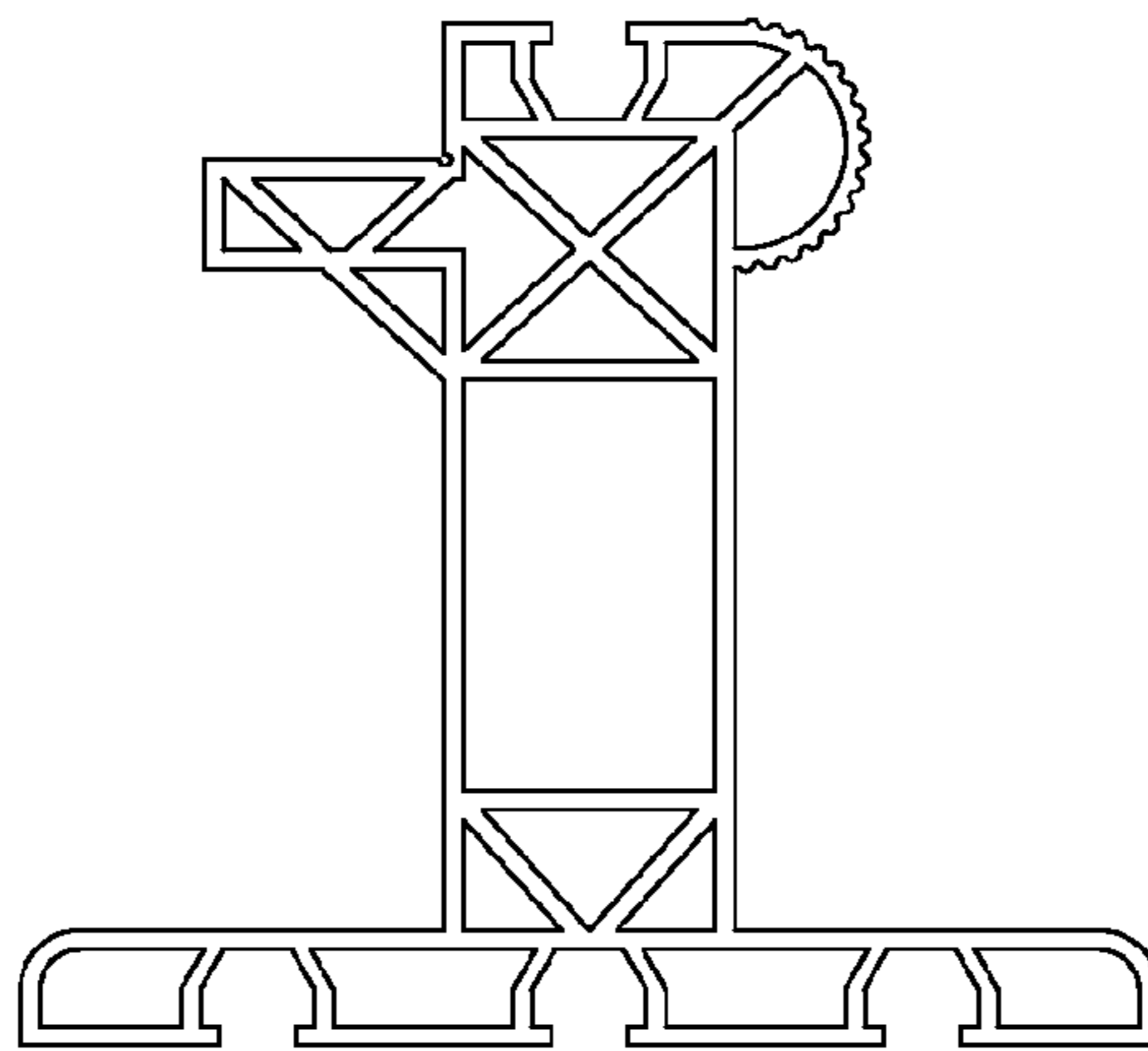


FIG. 2