



US00D568706S

(12) **United States Design Patent**
Weiby

(10) **Patent No.:** **US D568,706 S**

(45) **Date of Patent:** **** May 13, 2008**

(54) **CLAMPING JIG**

(75) Inventor: **Michael Weiby**, Bartlett, IL (US)

(73) Assignee: **Sears Brands, LLC.**, Chicago, IL (US)

(**) Term: **14 Years**

(21) Appl. No.: **29/296,592**

(22) Filed: **Oct. 24, 2007**

(51) **LOC (8) Cl.** **08-05**

(52) **U.S. Cl.** **D8/72**

(58) **Field of Classification Search** D8/71,
D8/72, 74, 394, 354, 106; D25/119, 122,
D25/123; 269/2, 4, 43, 156, 148, 37, 45;
D15/140; 144/144.52, 306, 307; 49/404,
49/413, 425; 83/762; 81/487

See application file for complete search history.

(56) **References Cited**

U.S. PATENT DOCUMENTS

4,047,333	A *	9/1977	Riegelman	49/425
D310,376	S *	9/1990	Johnsen	D15/140
D312,315	S *	11/1990	Westphal et al.	D25/122
D340,465	S *	10/1993	Guertin	D15/140
D359,565	S *	6/1995	Hallsten	D25/119
5,488,803	A *	2/1996	George	49/425
D402,049	S *	12/1998	Goodchild	D25/122
5,884,904	A *	3/1999	Martini	269/45
D424,711	S *	5/2000	Johnsson et al.	D25/122

6,336,247	B1 *	1/2002	Schnoor	49/425
D474,286	S *	5/2003	Gregori	D25/122
D497,010	S *	10/2004	Brabeck	D25/119
D511,219	S *	11/2005	Cleary	D25/119
D512,893	S *	12/2005	Cowan	D8/71
D519,543	S *	4/2006	Walker et al.	D8/354
D522,147	S *	5/2006	Morton et al.	D25/119
D541,953	S *	5/2007	Deleu	D25/122
D554,773	S *	11/2007	Antonic	D25/119
D554,978	S *	11/2007	Radke	D8/354
2008/0006976	A1 *	1/2008	Riley	269/43
2008/0010902	A1 *	1/2008	Kim	49/404

* cited by examiner

Primary Examiner—Louis S. Zarfaz

Assistant Examiner—David G Muller

(74) *Attorney, Agent, or Firm*—Greenberg Traurig LLP

(57) **CLAIM**

What is claimed is the ornamental design for a “clamping jig,” as shown and described.

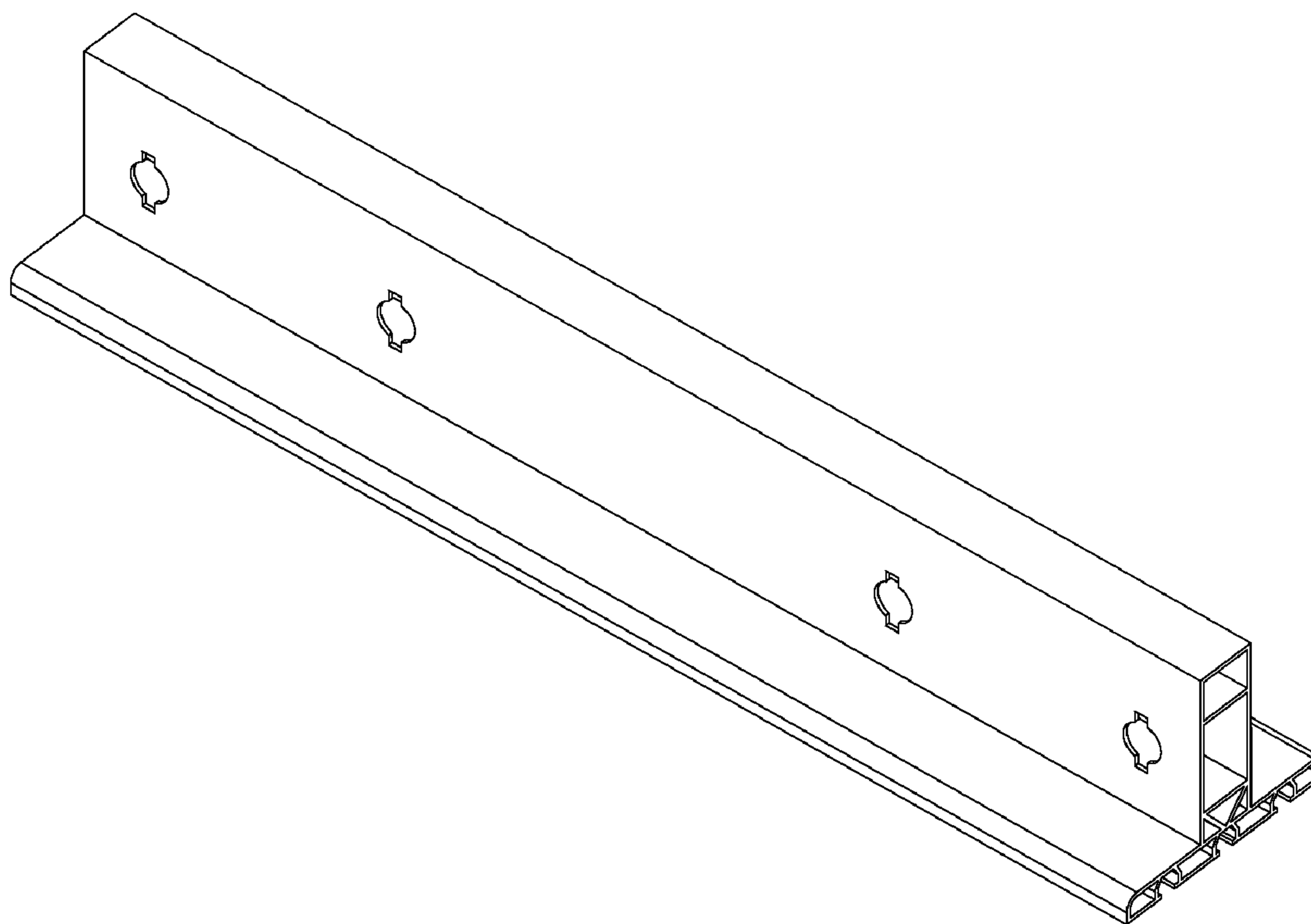
DESCRIPTION

The present application claims priority to U.S. Utility patent application Ser. No. 11/852,462, entitled “Clamping Jig,” filed Sep. 10, 2007.

FIG. 1 is an isometric view of a clamping jig; and,

FIG. 2 is an end-view of the clamping jig.

1 Claim, 1 Drawing Sheet



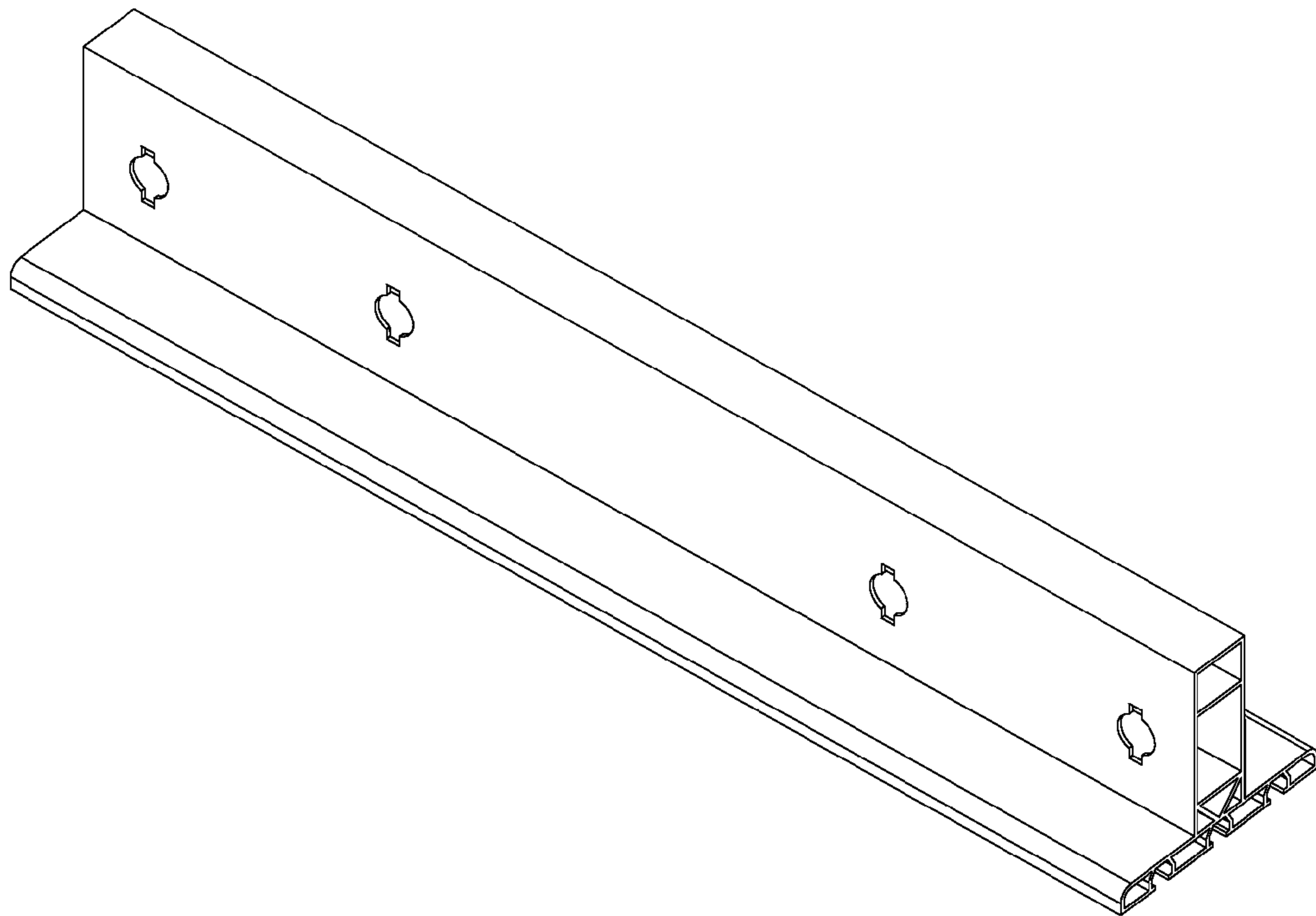


FIG. 1

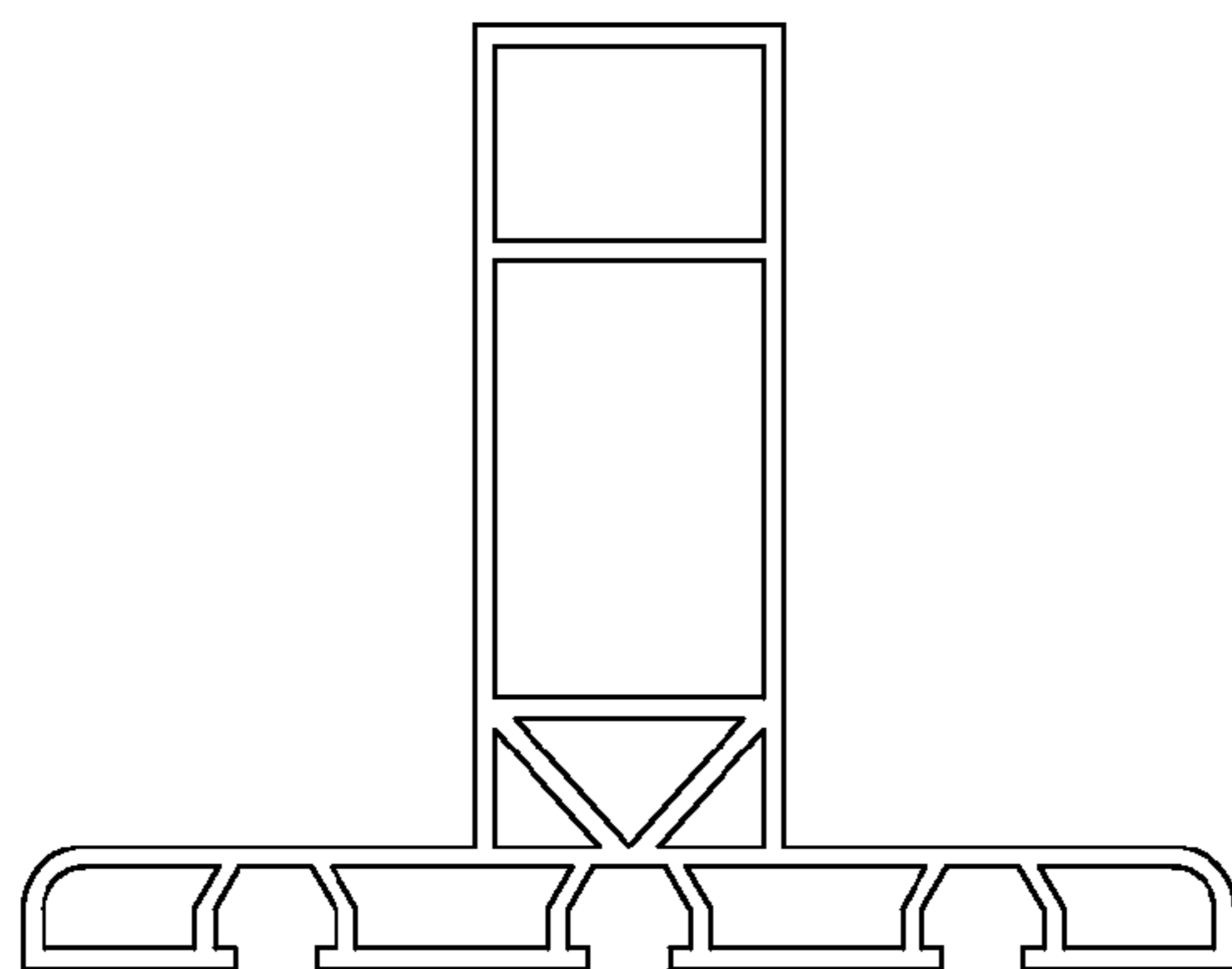


FIG. 2