



US00D568705S

(12) **United States Design Patent** (10) **Patent No.:** **US D568,705 S**
Lopano et al. (45) **Date of Patent:** **** May 13, 2008**

(54) **CIRCULAR SAW** 2004/0045176 A1* 3/2004 Koukal et al. 30/391

(75) Inventors: **Daniel N. Lopano**, Towson, MD (US);
James B. Watson, Fallston, MD (US)

FOREIGN PATENT DOCUMENTS

(73) Assignee: **Black & Decker Inc.**, Newark, DE
(US)

DE	M8908803	12/1989
DE	M9002976	4/1990
DE	M9005100	8/1990
DE	M 90 07 445	11/1990
DE	M9303322	4/1993
DE	M 94 04 494	6/1994
DE	M9604464	5/1996
DE	M9605582	6/1996
DE	49909945	10/1999
DE	49911612	12/1999
DE	40103881	4/2001
DE	40109686	10/2001

(**) Term: **14 Years**

(21) Appl. No.: **29/263,573**

(22) Filed: **Jul. 26, 2006**

(51) **LOC (8) Cl.** **08-03**

(52) **U.S. Cl.** **D8/66**

(58) **Field of Classification Search** D8/69,
D8/68, 67, 66, 64, 61, 70; 83/698.41, 747;
30/166.3, 374, 373, 375, 376, 391, 377, 390,
30/388, 389; 125/13.01; 144/218
See application file for complete search history.

(Continued)

Primary Examiner—Cathron C. Brooks
Assistant Examiner—Austin Murphy
(74) *Attorney, Agent, or Firm*—Mehul R. Jani

(56) **References Cited**

(57) **CLAIM**

U.S. PATENT DOCUMENTS

The ornamental design for a circular saw, as shown and described.

D363,656 S *	10/1995	Gierke	D8/66
D411,425 S *	6/1999	Sugimoto et al.	D8/66
D427,872 S *	7/2000	Snider	D8/66
D427,874 S *	7/2000	Hayakawa et al.	D8/66
D428,319 S *	7/2000	Gallagher	D8/66
D433,300 S *	11/2000	Buck	D8/66
D466,385 S *	12/2002	Shigo et al.	D8/66
D470,376 S *	2/2003	Chunn et al.	D8/66
6,543,143 B2 *	4/2003	Moore et al.	30/391
D502,073 S *	2/2005	Andriolo	D8/66
6,889,439 B2 *	5/2005	Koukal et al.	30/377
D507,949 S *	8/2005	Chunn et al.	D8/66
D514,411 S *	2/2006	Yuen et al.	D8/66
D520,830 S *	5/2006	Suzuki et al.	D8/66
D520,831 S	5/2006	Okada et al.		
D521,336 S *	5/2006	Heun	D8/66
D522,336 S	6/2006	Waldron		
D522,832 S	6/2006	Hastie		
D522,833 S *	6/2006	Kokawa	D8/66
D527,599 S *	9/2006	Ng	D8/66
D531,473 S *	11/2006	Lopano	D8/66

DESCRIPTION

FIG. 1 is a perspective view of a circular saw showing the new design.

FIG. 2 is a front view thereof.

FIG. 3 is a back view thereof.

FIG. 4 is a right side view thereof.

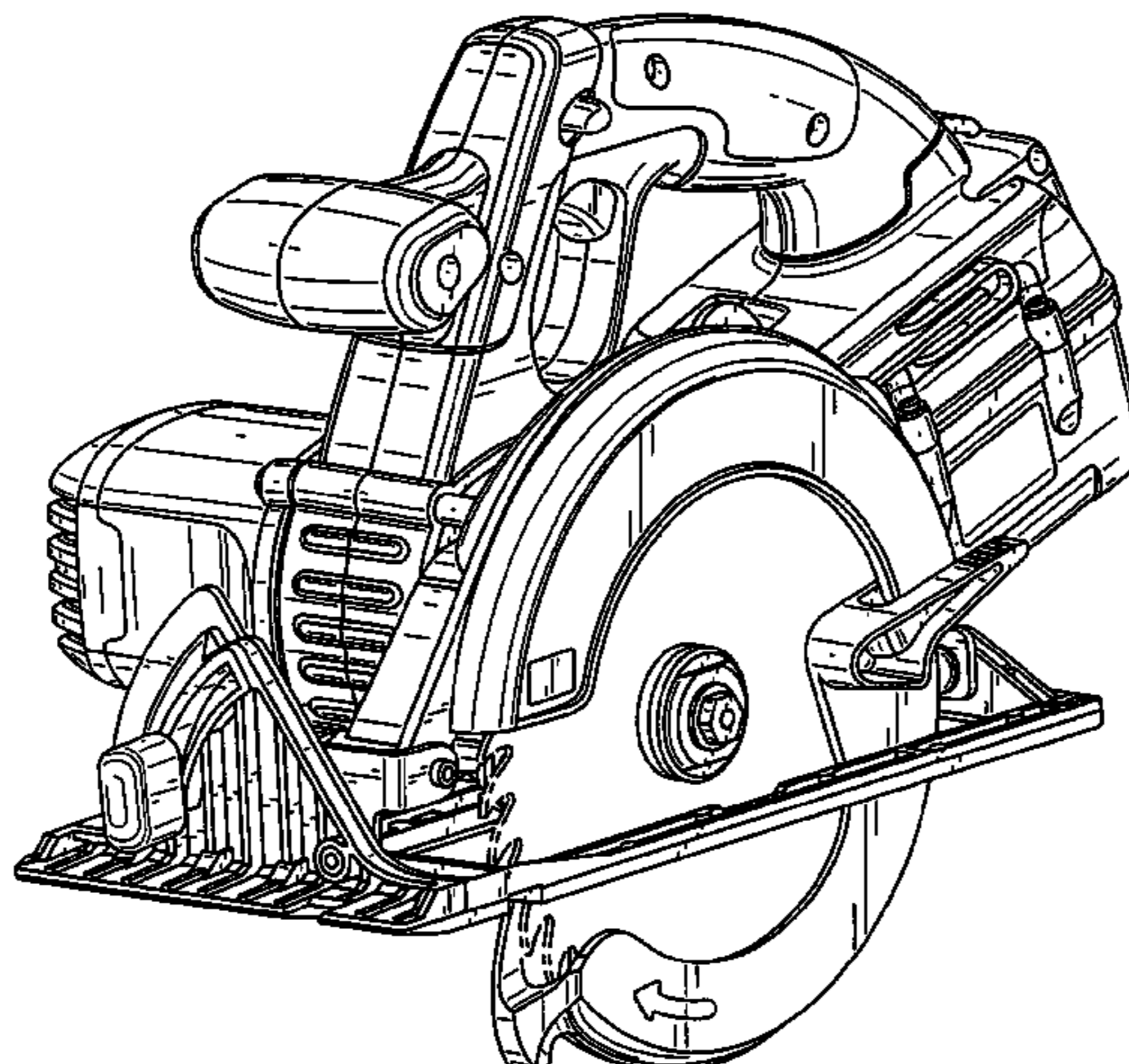
FIG. 5 is a left size view thereof

FIG. 6 is a top view thereof; and,

FIG. 7 is a bottom view thereof.

The broken lines and the areas within the broken lines shown in the drawings form no part of the claimed ornamental design.

1 Claim, 7 Drawing Sheets



US D568,705 S

Page 2

FOREIGN PATENT DOCUMENTS					
			DE	40500601	2/2005
			DE	40502458	5/2005
			WO	DM/054174	11/2000
			* cited by examiner		
DE	40200053	1/2002			
DE	40301838	2/2003			
DE	40304039	6/2003			

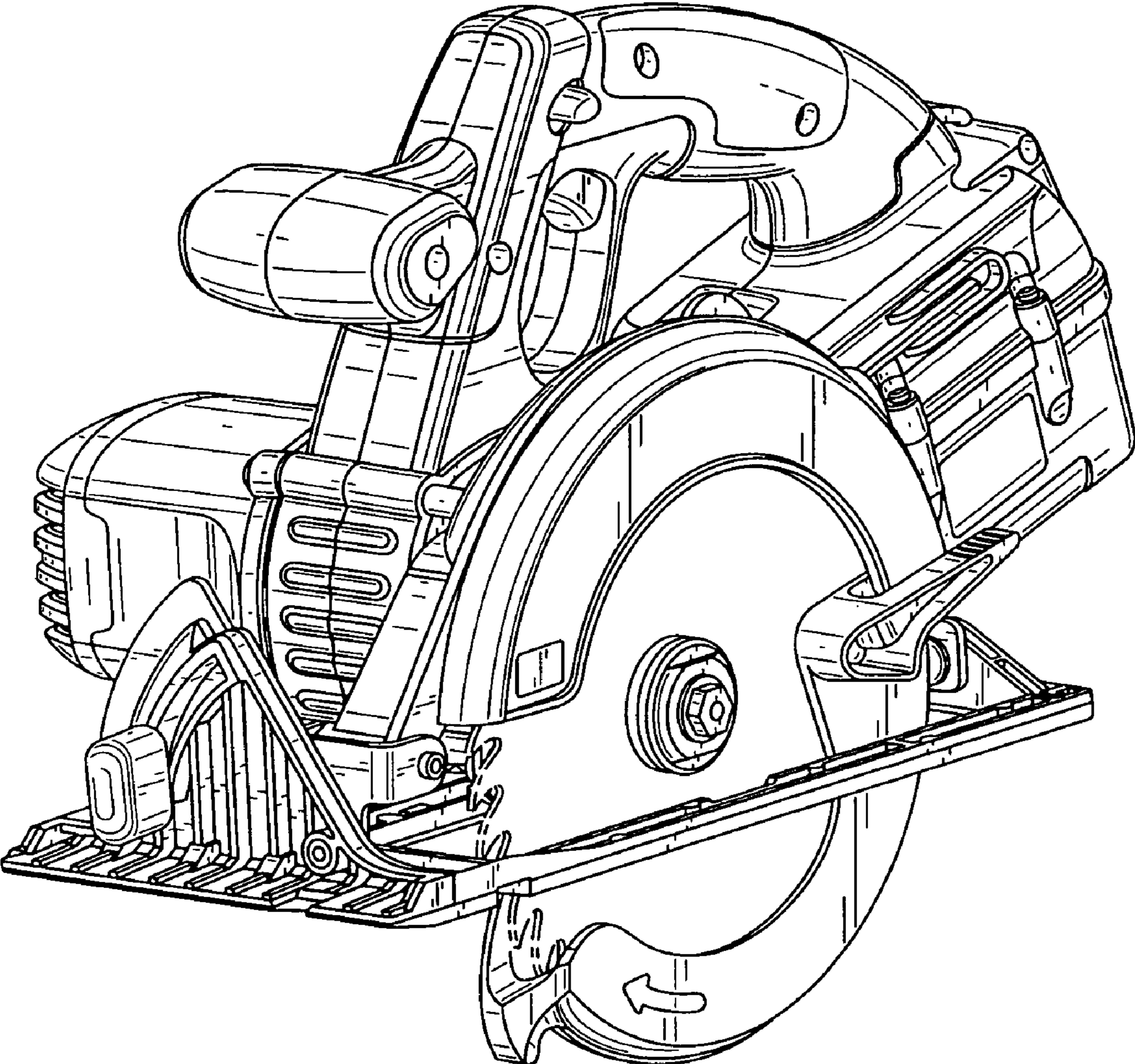


FIG. 1

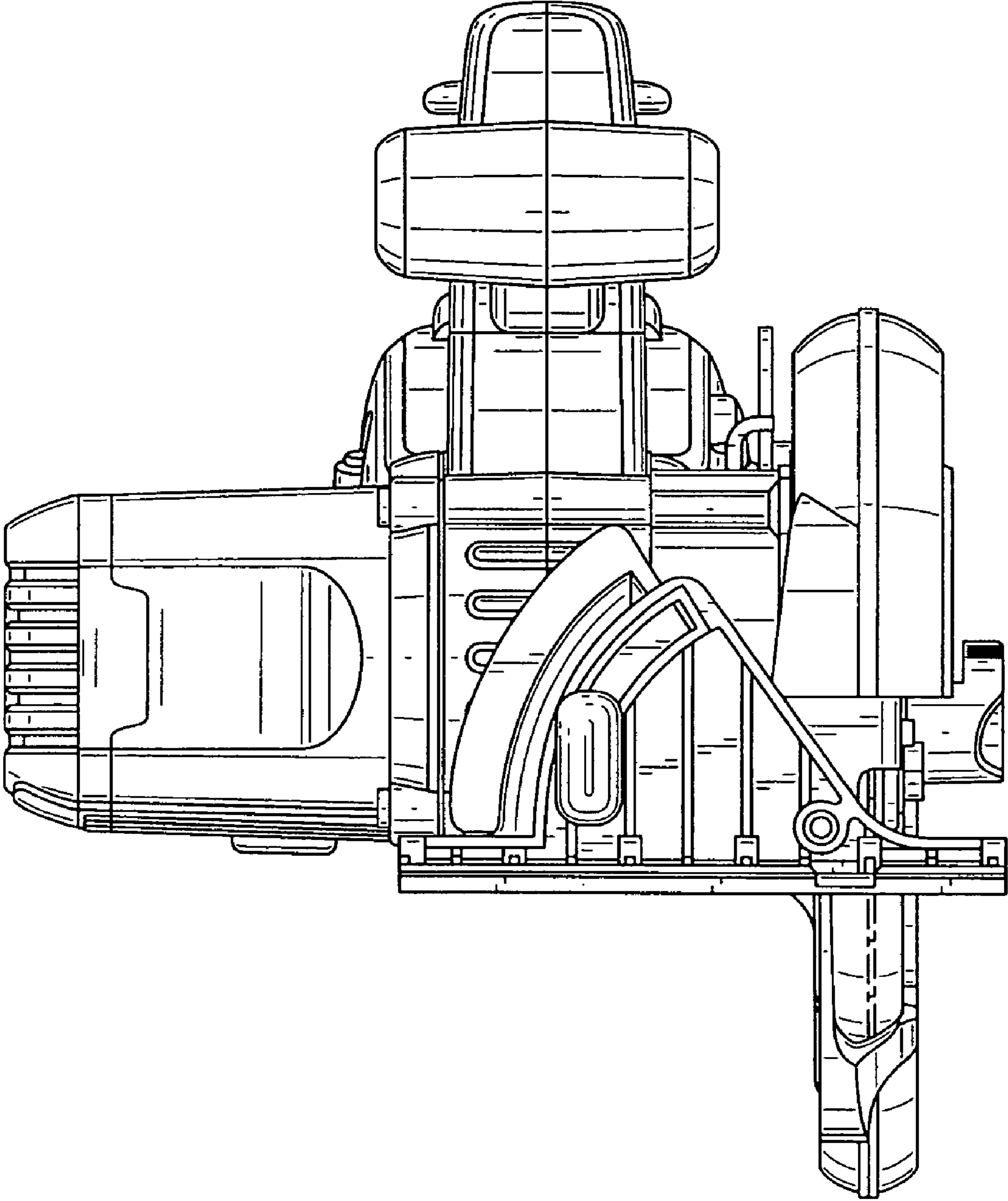


FIG. 2

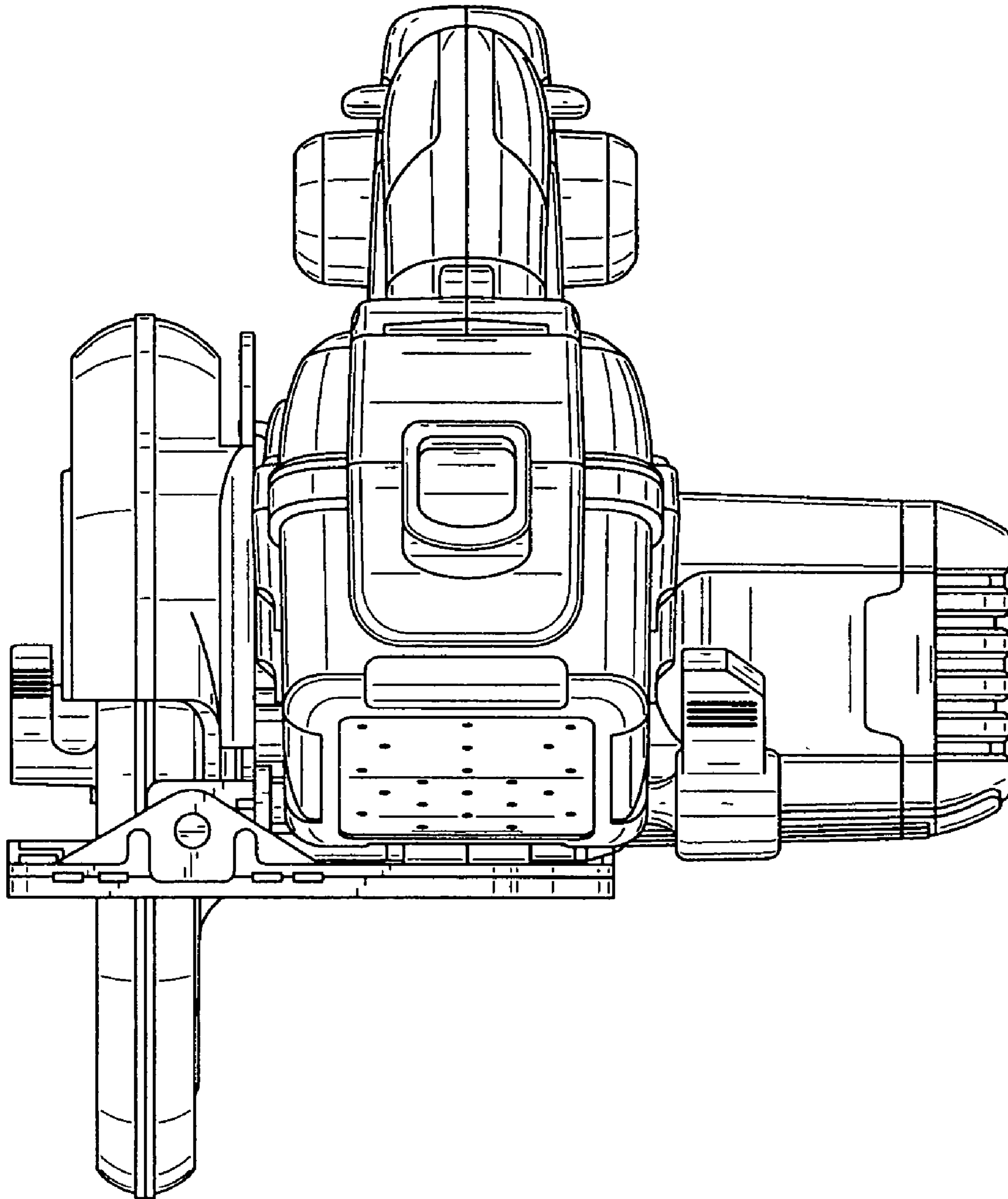


FIG. 3

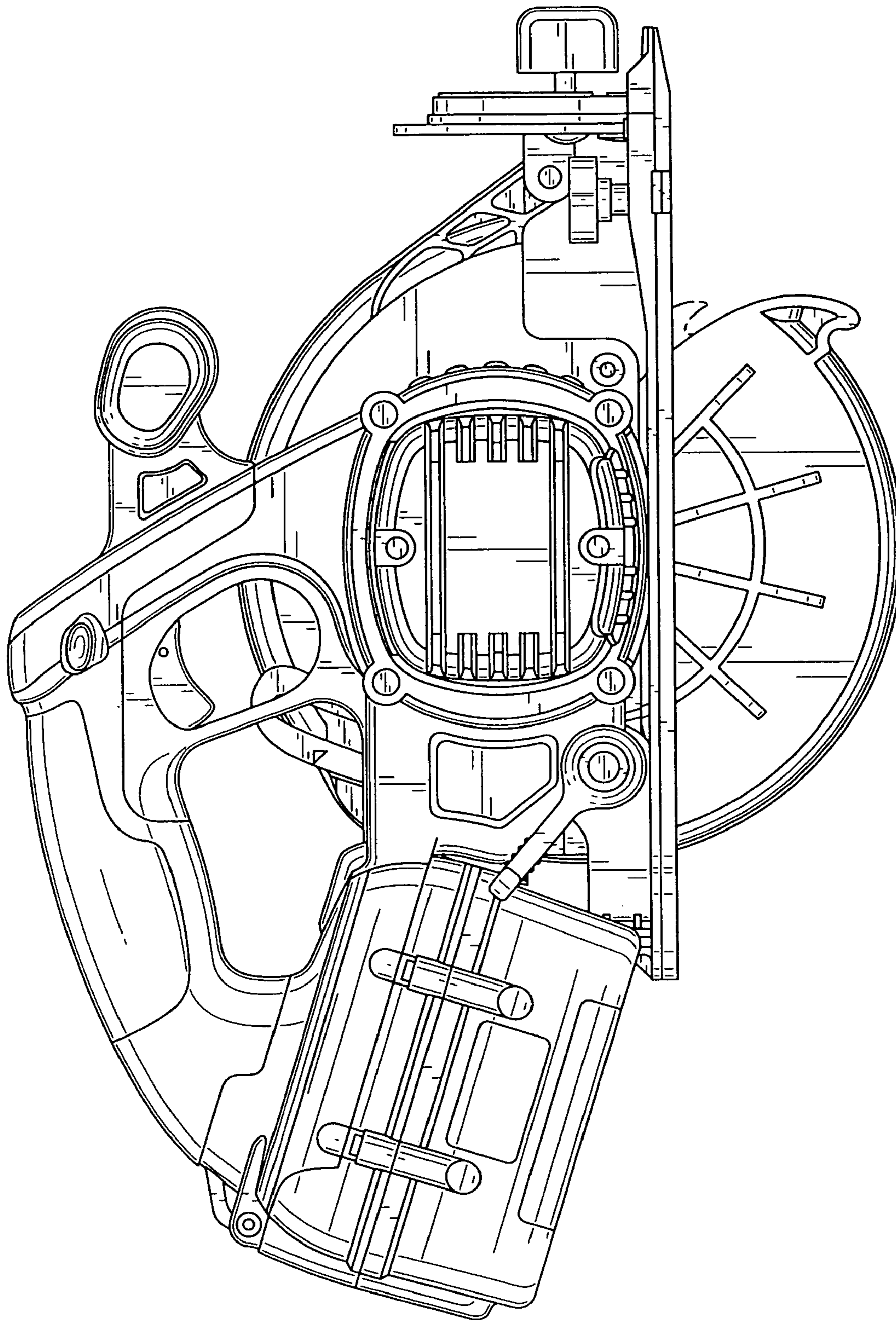


FIG. 4

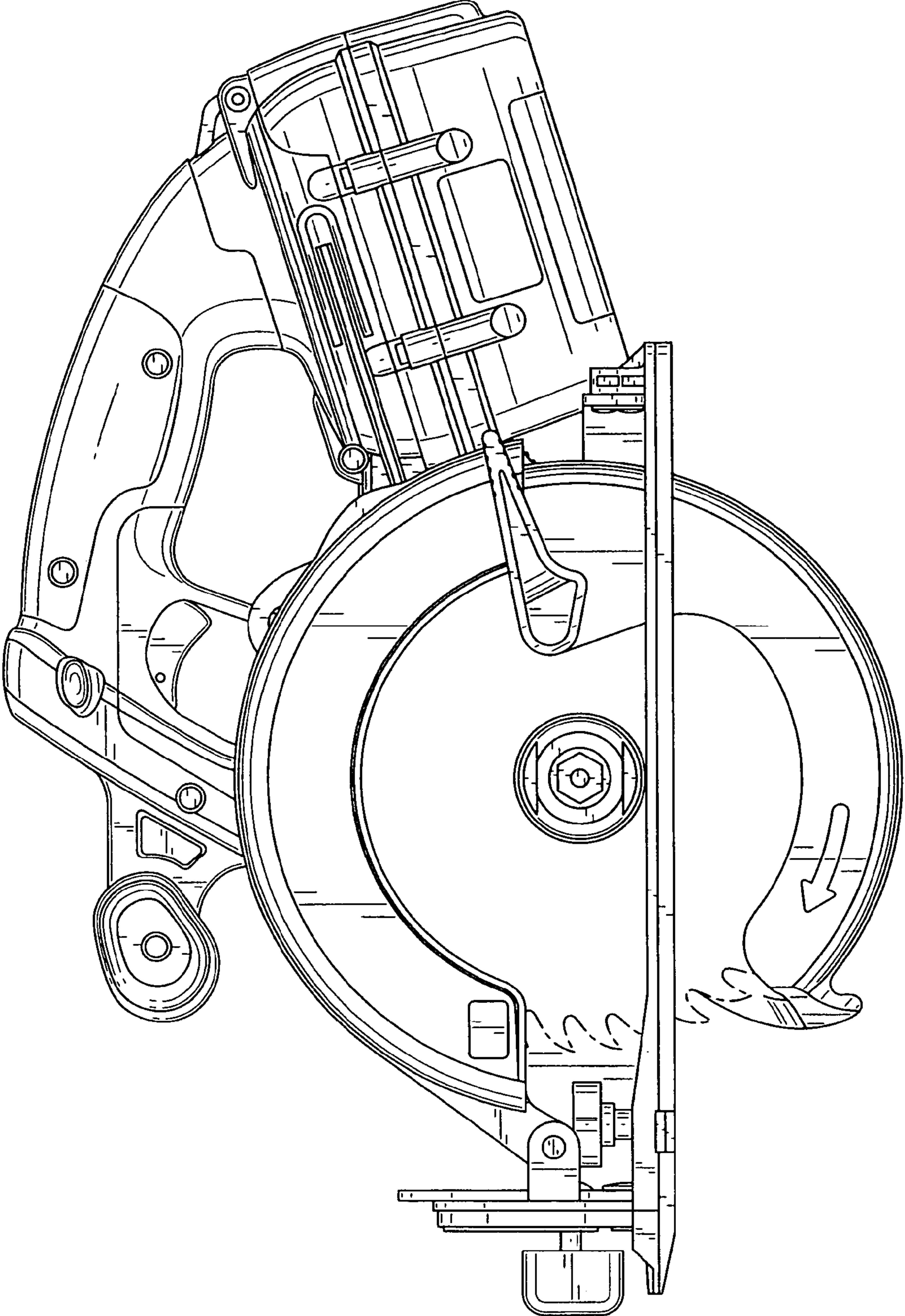


FIG. 5

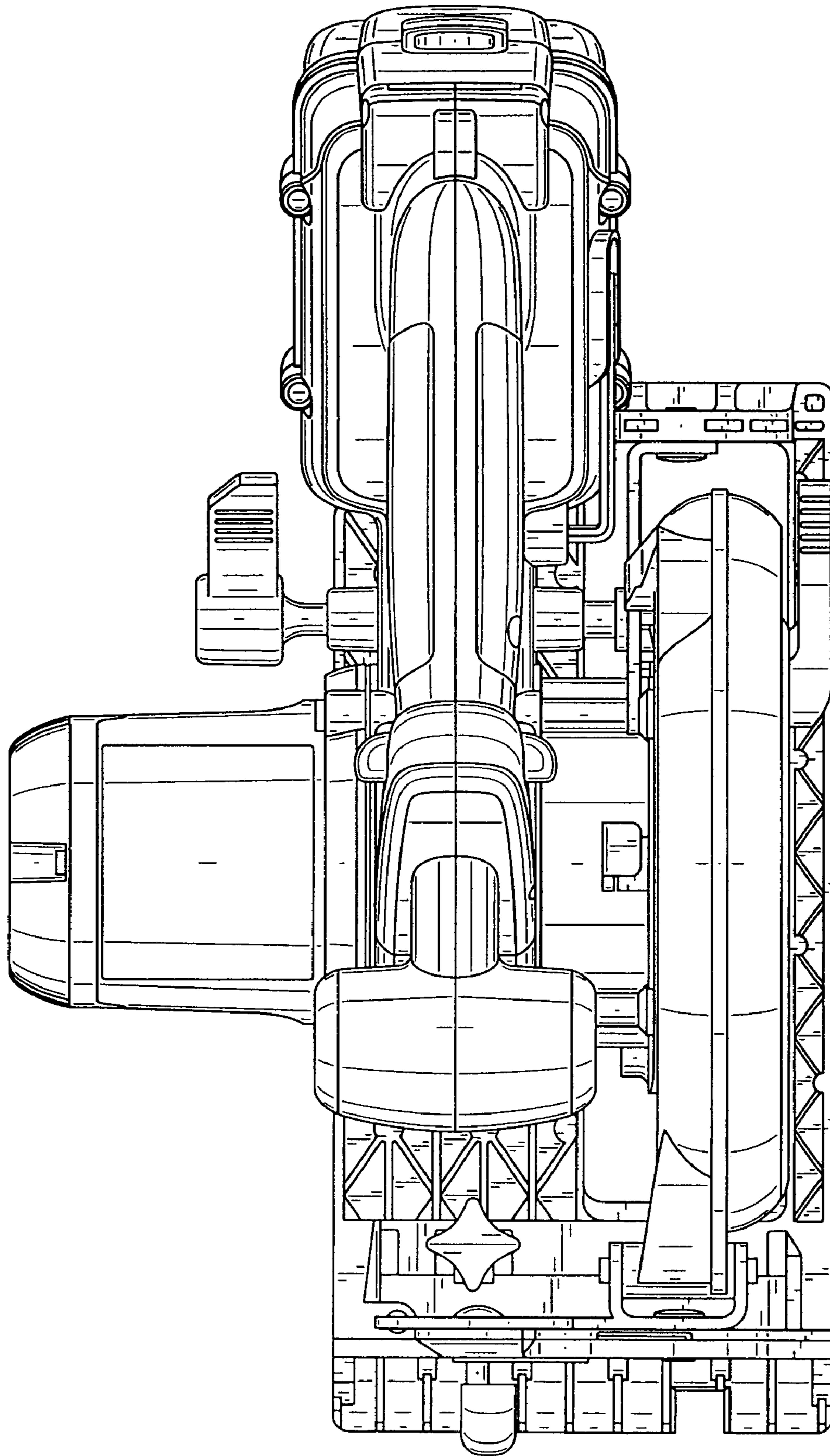


FIG. 6

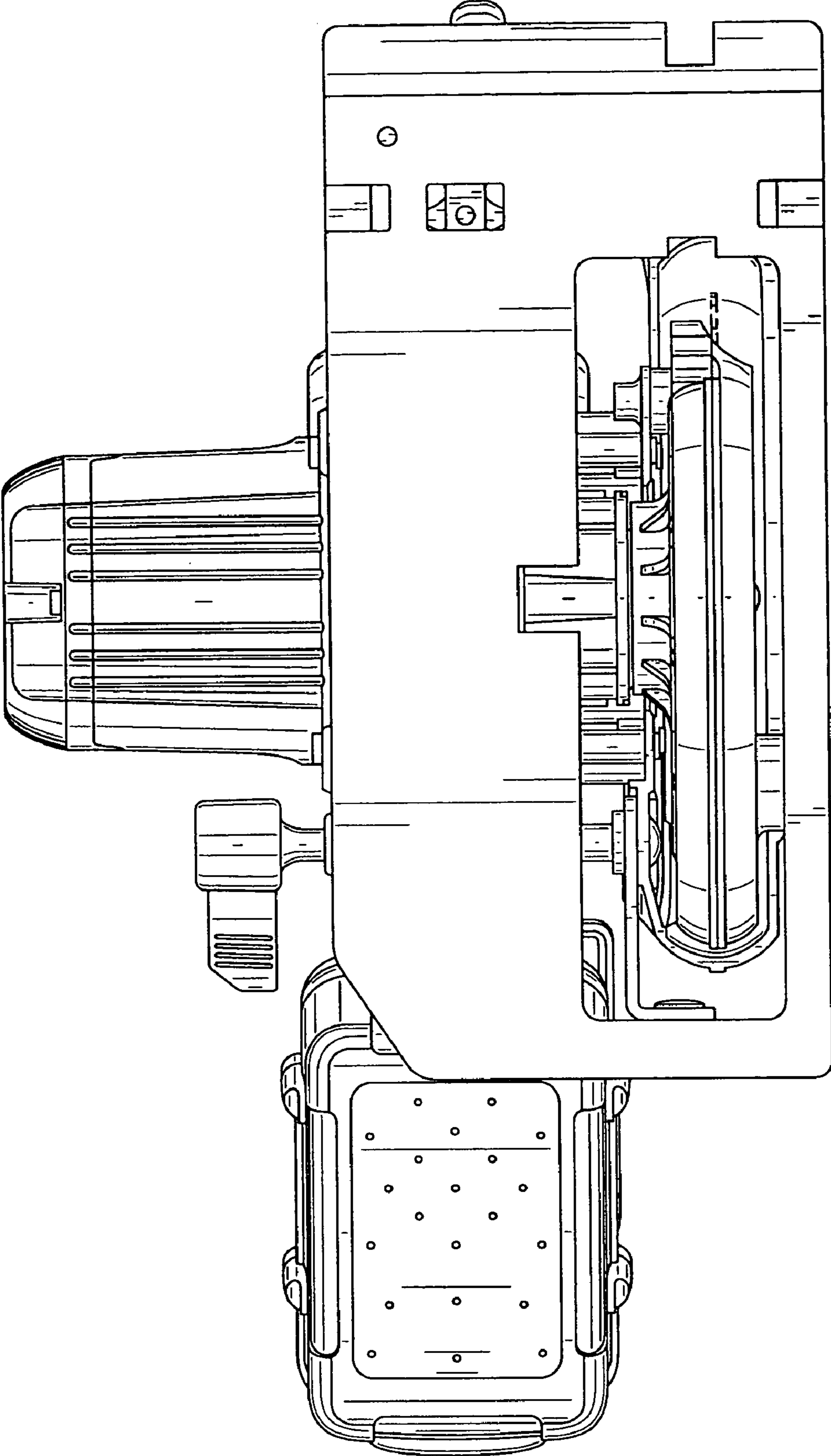


FIG. 7