



US00D568703S

(12) **United States Design Patent**
Jiang

(10) **Patent No.:** **US D568,703 S**

(45) **Date of Patent:** **** May 13, 2008**

(54) **CLEANER**

(76) Inventor: **Weiliang Jiang**, Zhejiang Yongkang
City Jiahe Tools Co., Ltd., No. 25,
Minyuan South Road, Zhejiang (CN)
321300

(**) Term: **14 Years**

(21) Appl. No.: **29/258,082**

(22) Filed: **Apr. 17, 2006**

(30) **Foreign Application Priority Data**

Oct. 17, 2005 (CN) 2005 3 0109632

(51) **LOC (8) Cl.** **08-01**

(52) **U.S. Cl.** **D8/62**

(58) **Field of Classification Search** D8/69,
D8/67, 62, 61; 173/168; 451/294, 344,
451/351, 359, 358, 357, 356, 354, 353, 451;
30/500

See application file for complete search history.

(56) **References Cited**

U.S. PATENT DOCUMENTS

D297,907 S * 10/1988 Hoshimo et al. D8/62
D305,399 S * 1/1990 Fushiya et al. D8/62
D322,016 S * 12/1991 Thurler et al. D8/62
D402,870 S * 12/1998 Etter et al. D8/62

6,241,594 B1 * 6/2001 Lepold 451/359
D453,288 S * 2/2002 Lui D8/62
6,527,630 B2 * 3/2003 Mannsperger et al. 451/344
D475,263 S * 6/2003 Andriolo D8/62
D498,653 S * 11/2004 Wu D8/62

* cited by examiner

Primary Examiner—Selina Sikder

Assistant Examiner—Austin Murphy

(74) *Attorney, Agent, or Firm*—Birch, Stewart, Kolasch &
Birch, LLP

(57) **CLAIM**

The ornamental design for the cleaner, as shown and
described.

DESCRIPTION

FIG. 1 is a left side elevational view of a cleaner showing my
new design;

FIG. 2 is front elevational view thereof;

FIG. 3 is rear elevational view thereof;

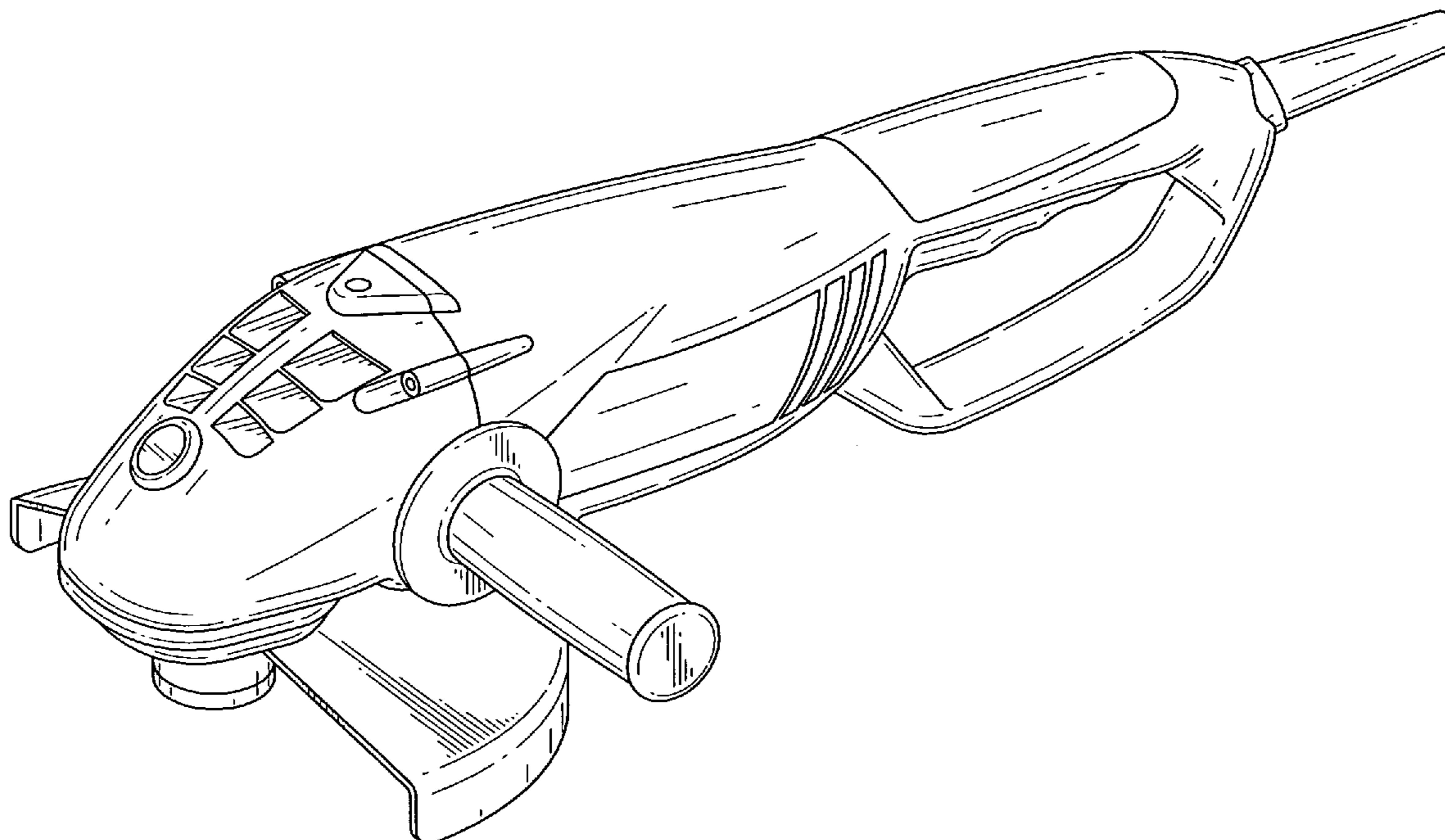
FIG. 4 is a top plan view thereof;

FIG. 5 is a bottom view thereof;

FIG. 6 is a right side elevational view thereof; and,

FIG. 7 is left side elevational view thereof.

1 Claim, 6 Drawing Sheets



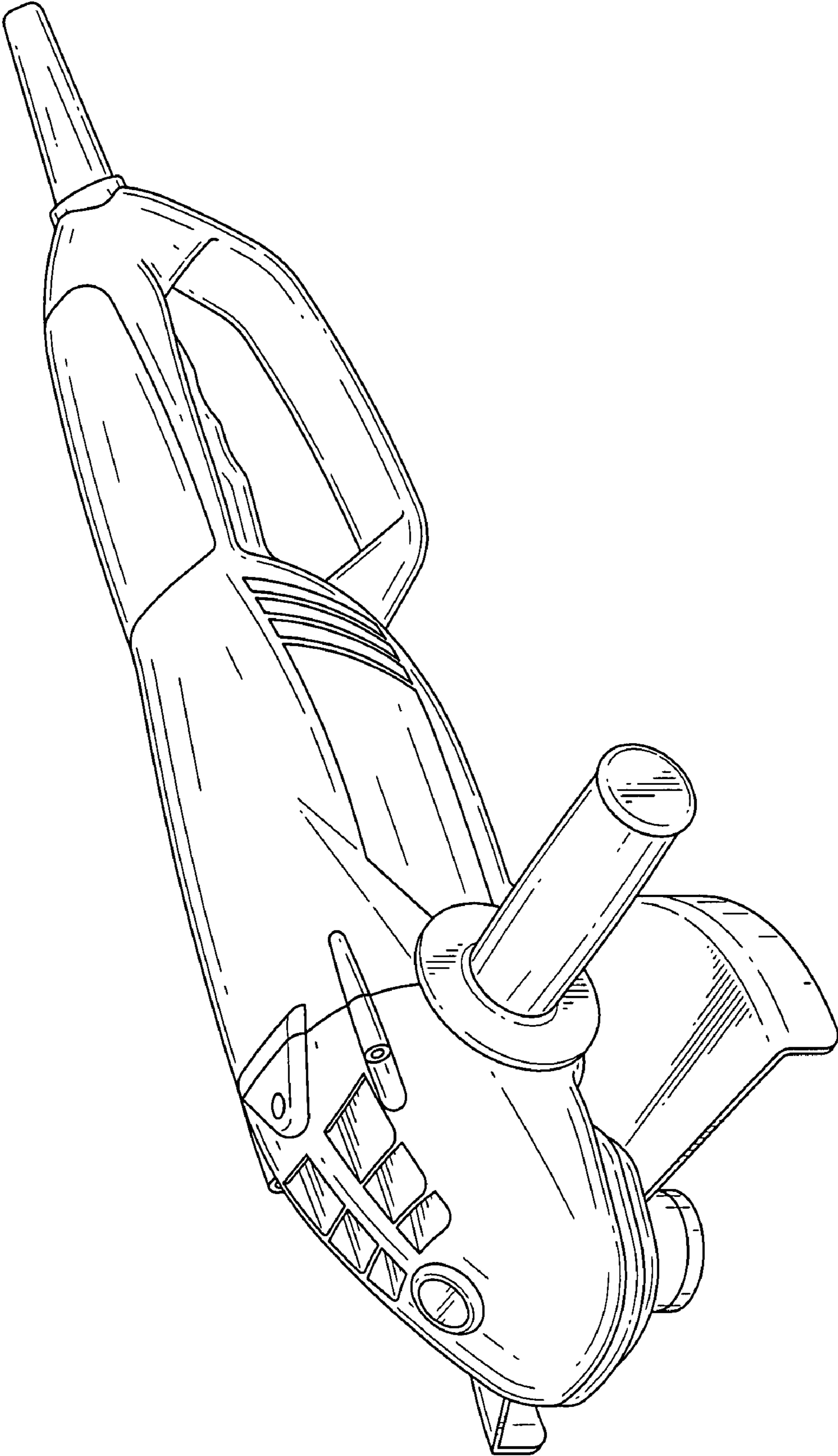


FIG.1

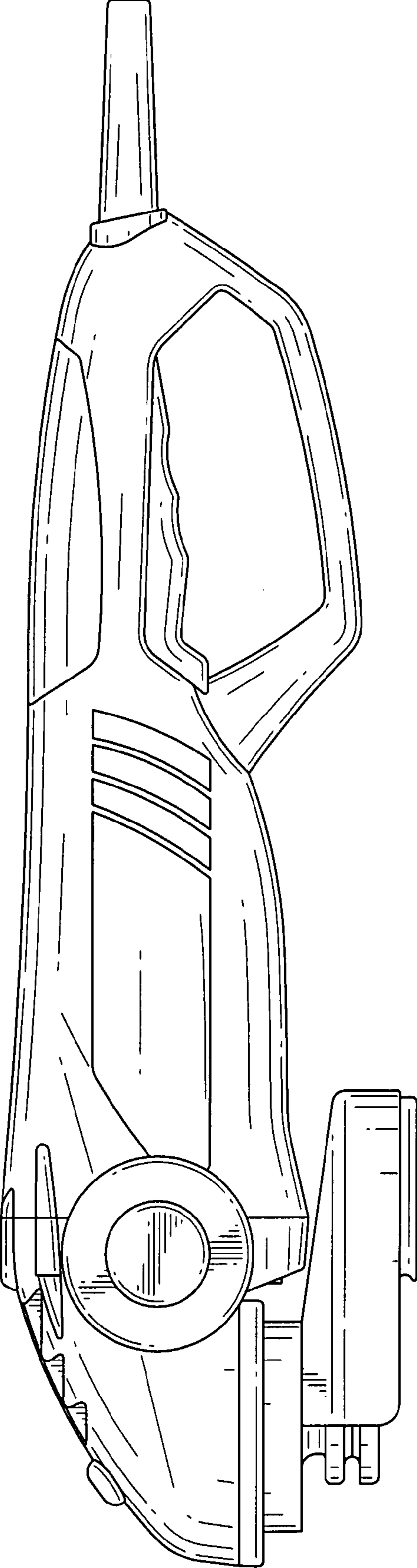


FIG. 2

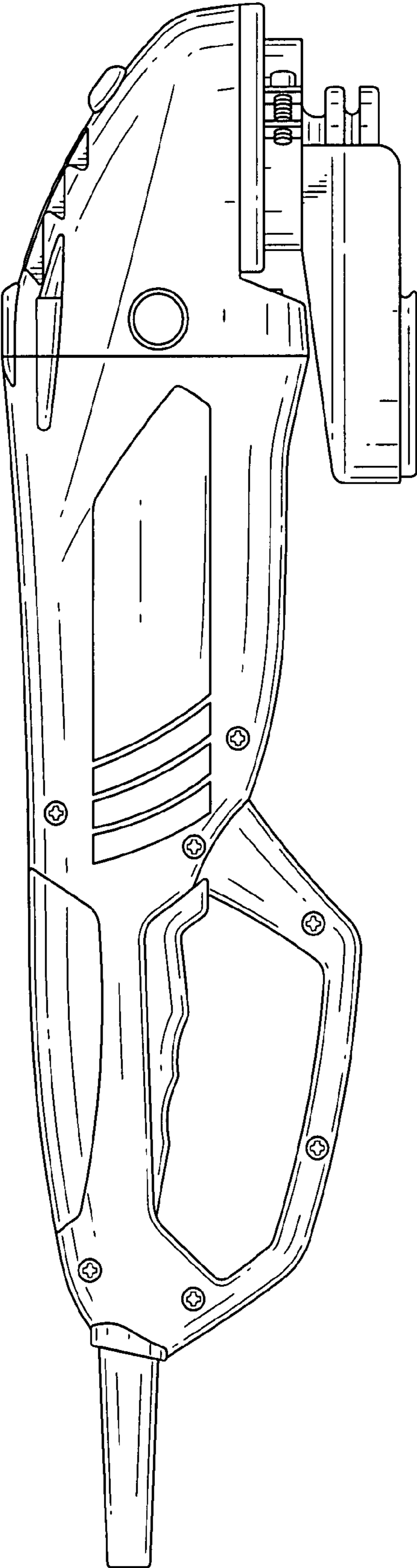


FIG.3

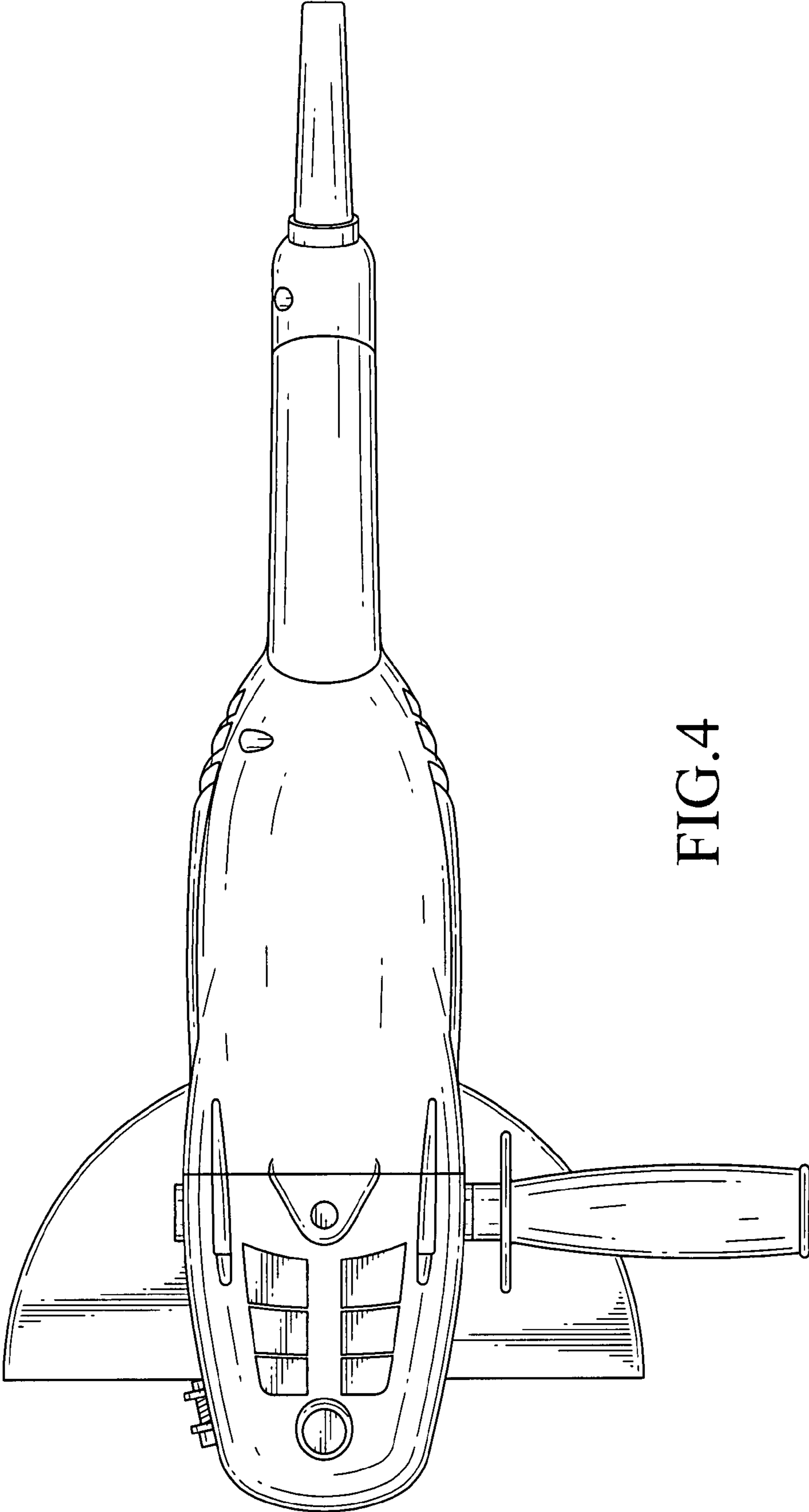


FIG.4

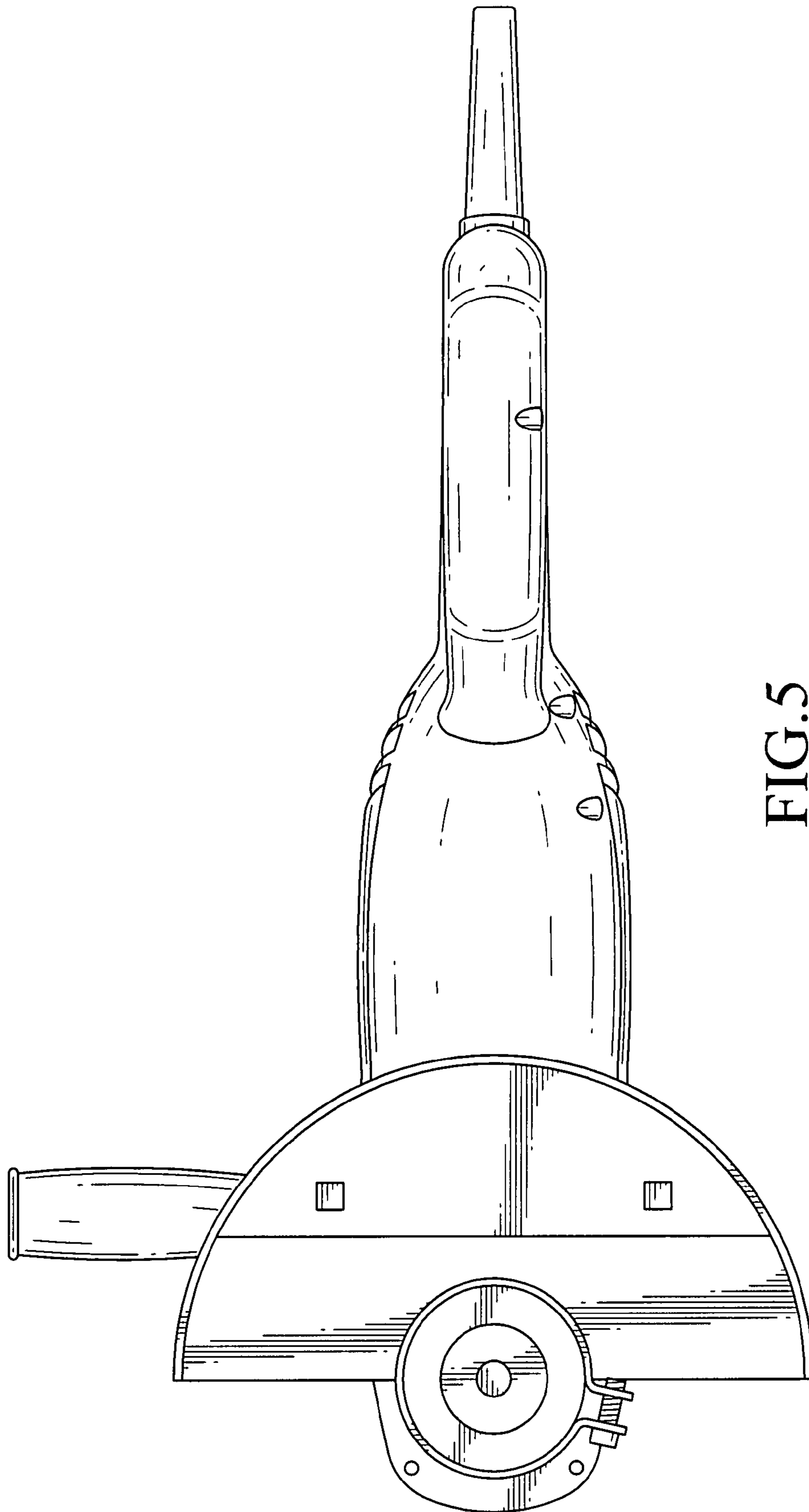


FIG. 5

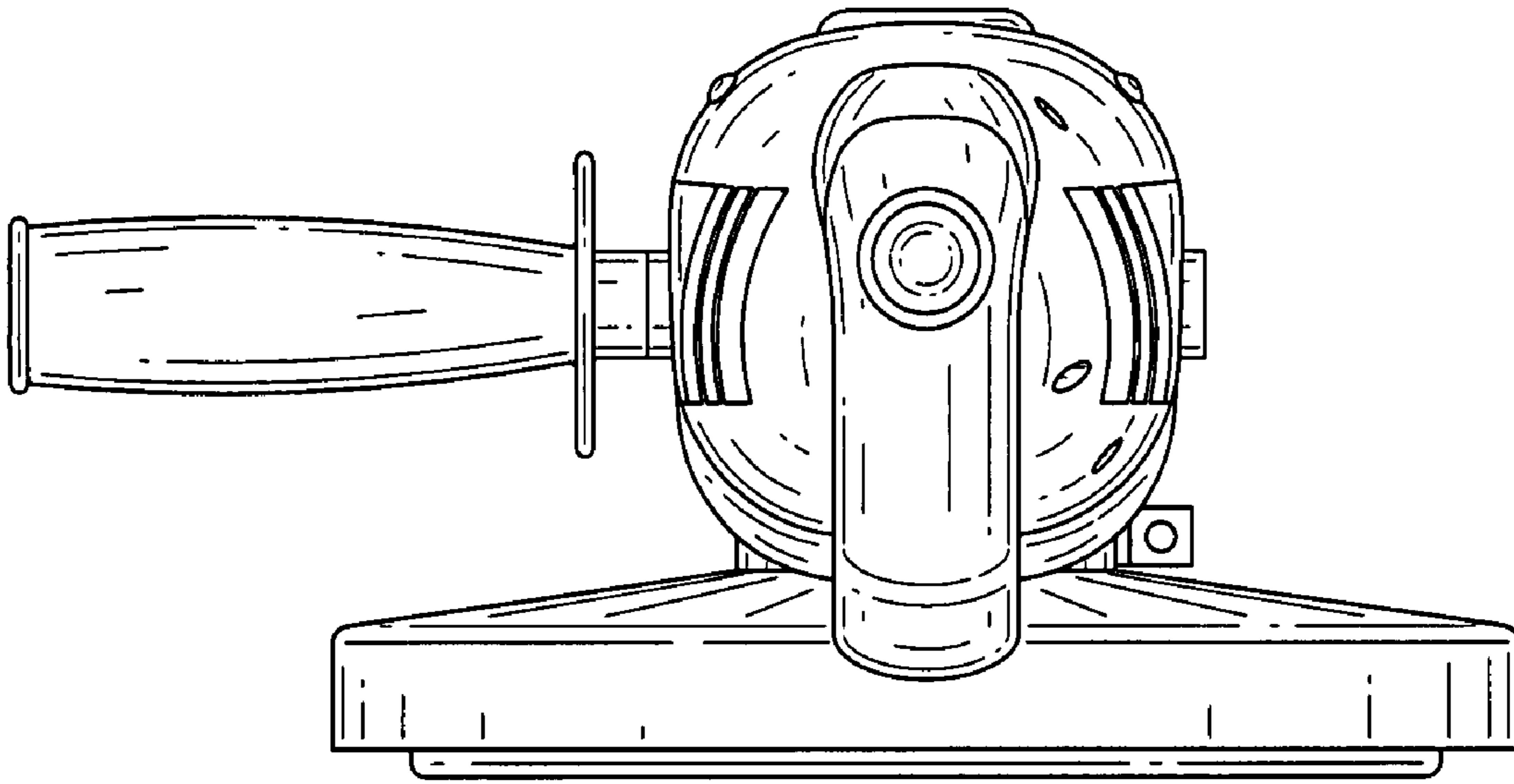


FIG. 6

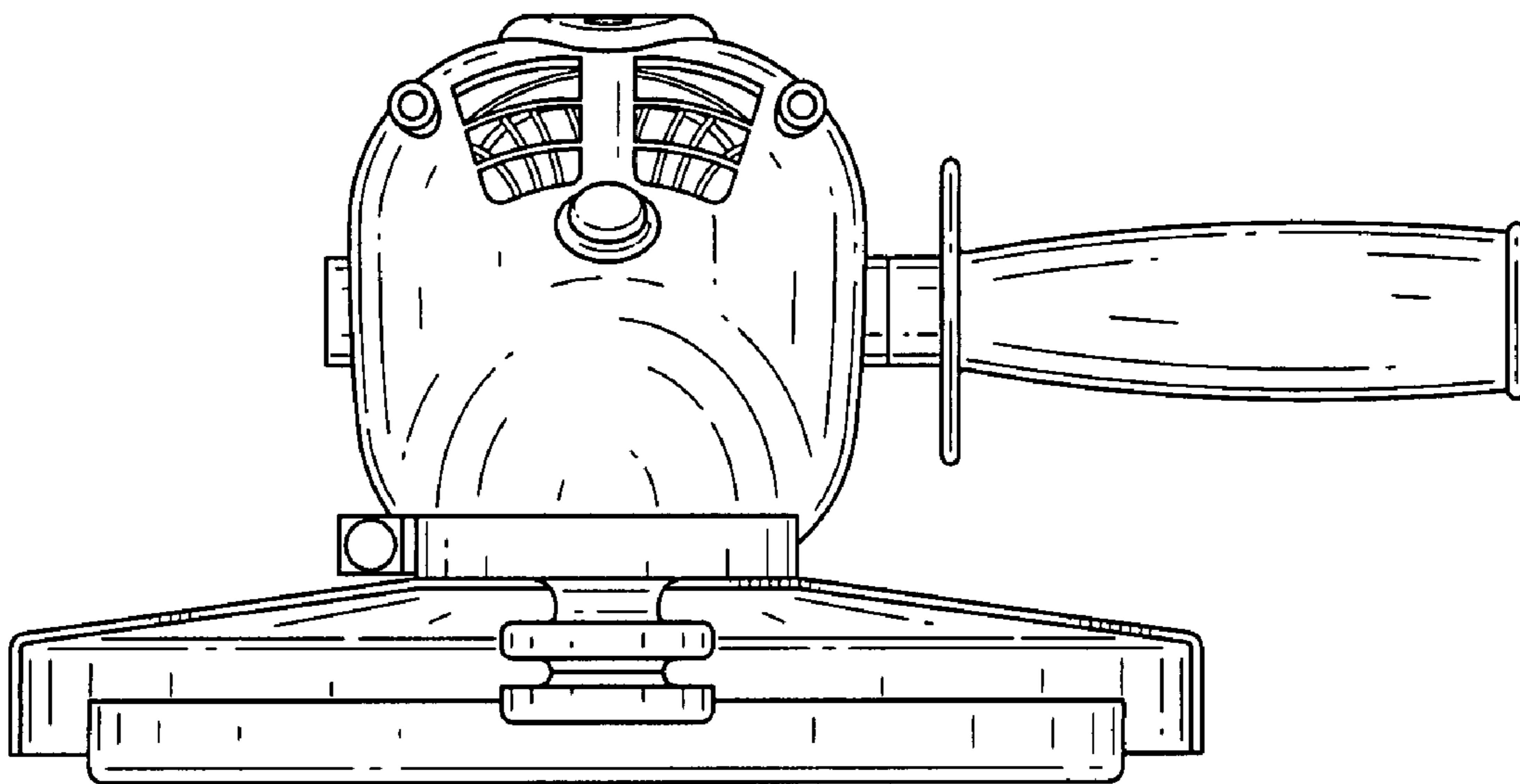


FIG. 7

UNITED STATES PATENT AND TRADEMARK OFFICE
CERTIFICATE OF CORRECTION

PATENT NO. : Des. 568,703 S
APPLICATION NO. : 29/258082
DATED : May 13, 2008
INVENTOR(S) : Weiliang Jiang

Page 1 of 1

It is certified that error appears in the above-identified patent and that said Letters Patent is hereby corrected as shown below:

In the Title, item (54), please amend as follows:

“CLEANER” should be --ANGLE POLISHER--

On the Title Page

In the claim, item (57), please amend as follows:

“cleaner” should be --angle polisher--

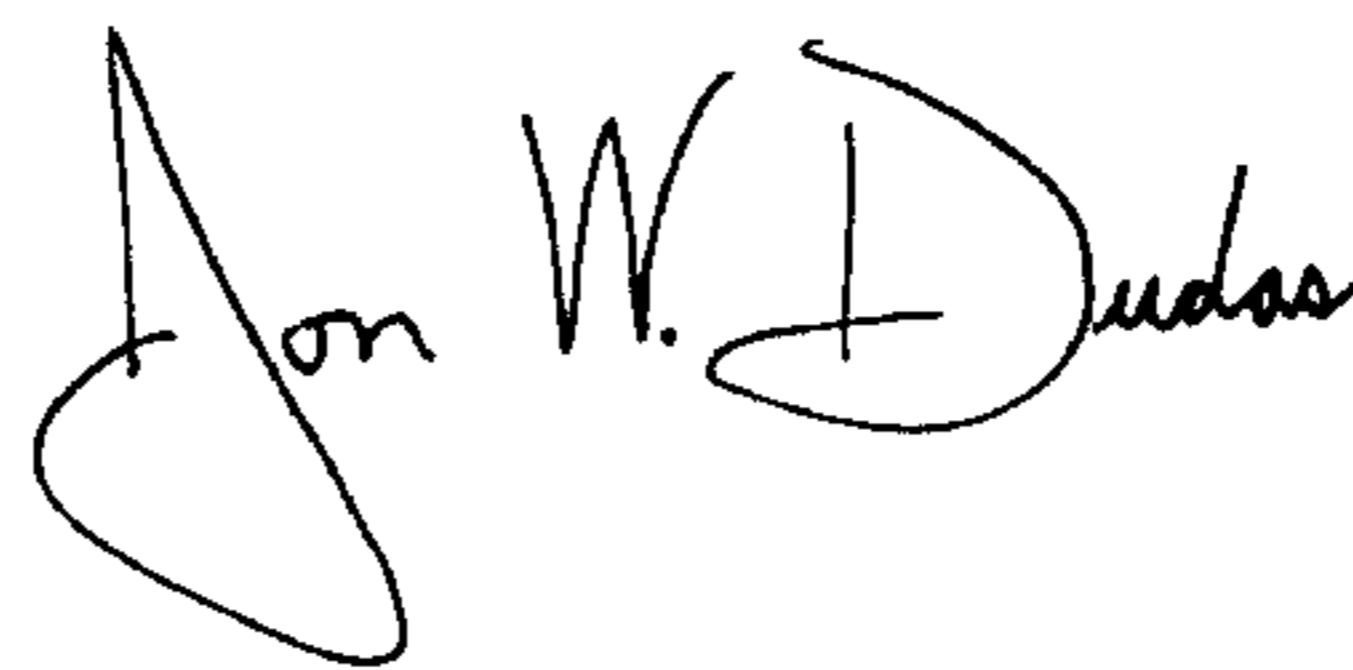
On the Title Page

Item Description of Fig. 1, please amend as follows:

“cleaner” should be --angle polisher--

Signed and Sealed this

Fourth Day of November, 2008



JON W. DUDAS

Director of the United States Patent and Trademark Office