

US00D568702S

(12) **United States Design Patent**
Nasiell

(10) **Patent No.:** **US D568,702 S**
(45) **Date of Patent:** **** May 13, 2008**

(54) **TUBING CUTTING DEVICE**

(76) Inventor: **Gustav M. Nasiell**, 746 Q Avenida
Majorca, Laguna Woods, CA (US)
92653

(**) Term: **14 Years**

(21) Appl. No.: **29/274,936**

(22) Filed: **Jun. 8, 2007**

(51) **LOC (8) Cl.** **08-01**

(52) **U.S. Cl.** **D8/61; D8/60**

(58) **Field of Classification Search** D8/60,
D8/61, 69, 72, 98, 107; 30/101, 102, 106,
30/107, 108, 92, 97, 90.4; 175/4.6; 83/411.4,
83/883

See application file for complete search history.

(56) **References Cited**

U.S. PATENT DOCUMENTS

D176,846 S *	2/1956	Fischer et al.	D8/61
4,831,732 A *	5/1989	Garton	30/101
D383,655 S *	9/1997	Juhlin et al.	D8/61
D411,426 S *	6/1999	Morita	D8/69
D446,100 S *	8/2001	Heun	D8/61

D526,176 S *	8/2006	Lopano et al.	D8/61
D527,592 S *	9/2006	Hayakawa et al.	D8/61
D529,353 S *	10/2006	Wong et al.	D8/61
7,152,325 B2 *	12/2006	Green et al.	30/101

* cited by examiner

Primary Examiner—Cathron C. Brooks

Assistant Examiner—Austin Murphy

(74) *Attorney, Agent, or Firm*—Edward E. Roberts

(57) **CLAIM**

The ornamental design for a tubing cutting device, as shown.

DESCRIPTION

FIG. 1 is a front, top, and left side perspective view of the tubing cutting device of my new design;

FIG. 2 is a rear elevational view thereof;

FIG. 3 is a front elevational view thereof;

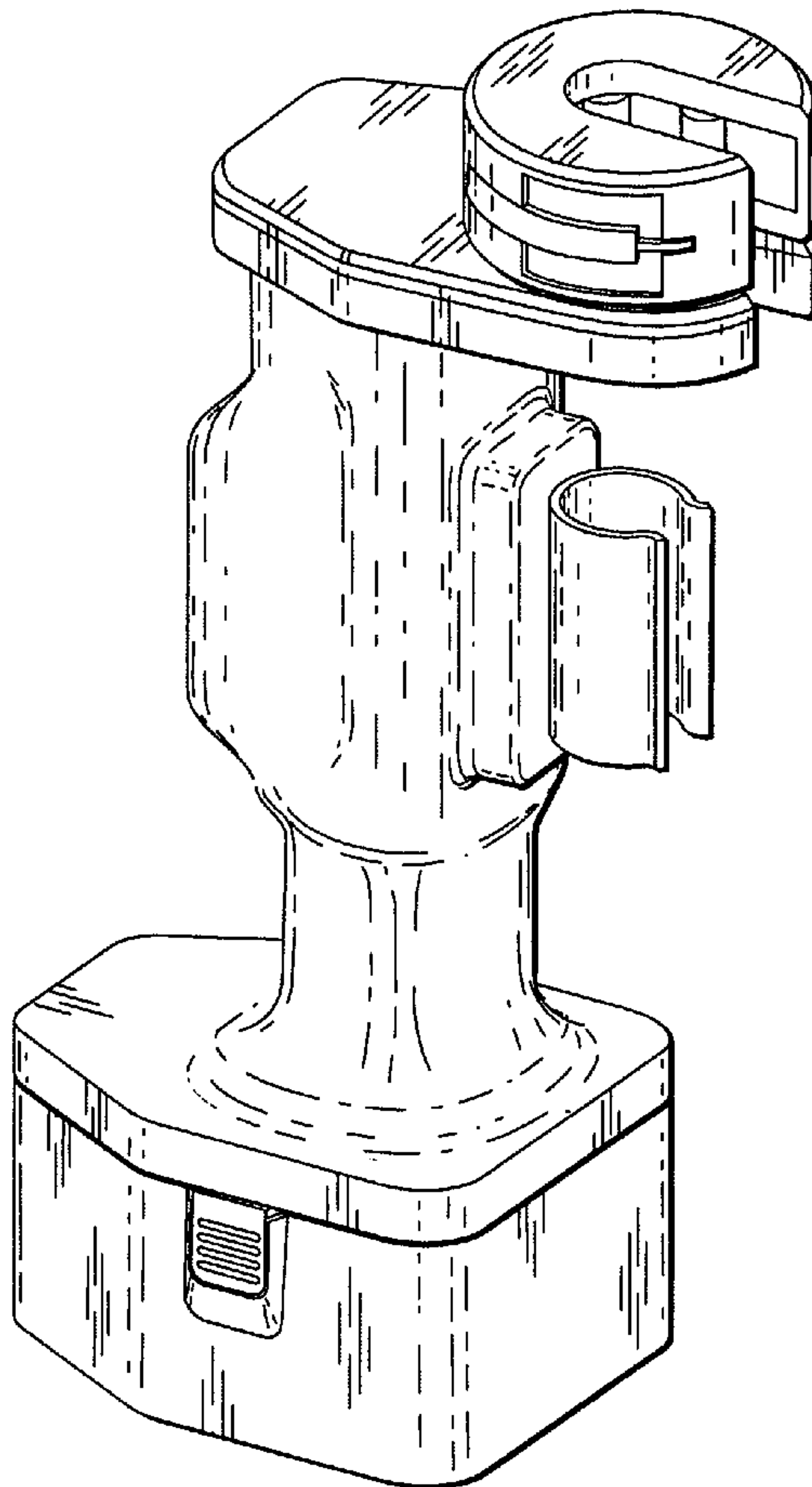
FIG. 4 is a left side elevational view thereof;

FIG. 5 is a right side elevational view thereof;

FIG. 6 is a top plan view thereof; and,

FIG. 7 is a bottom plan view thereof.

1 Claim, 4 Drawing Sheets



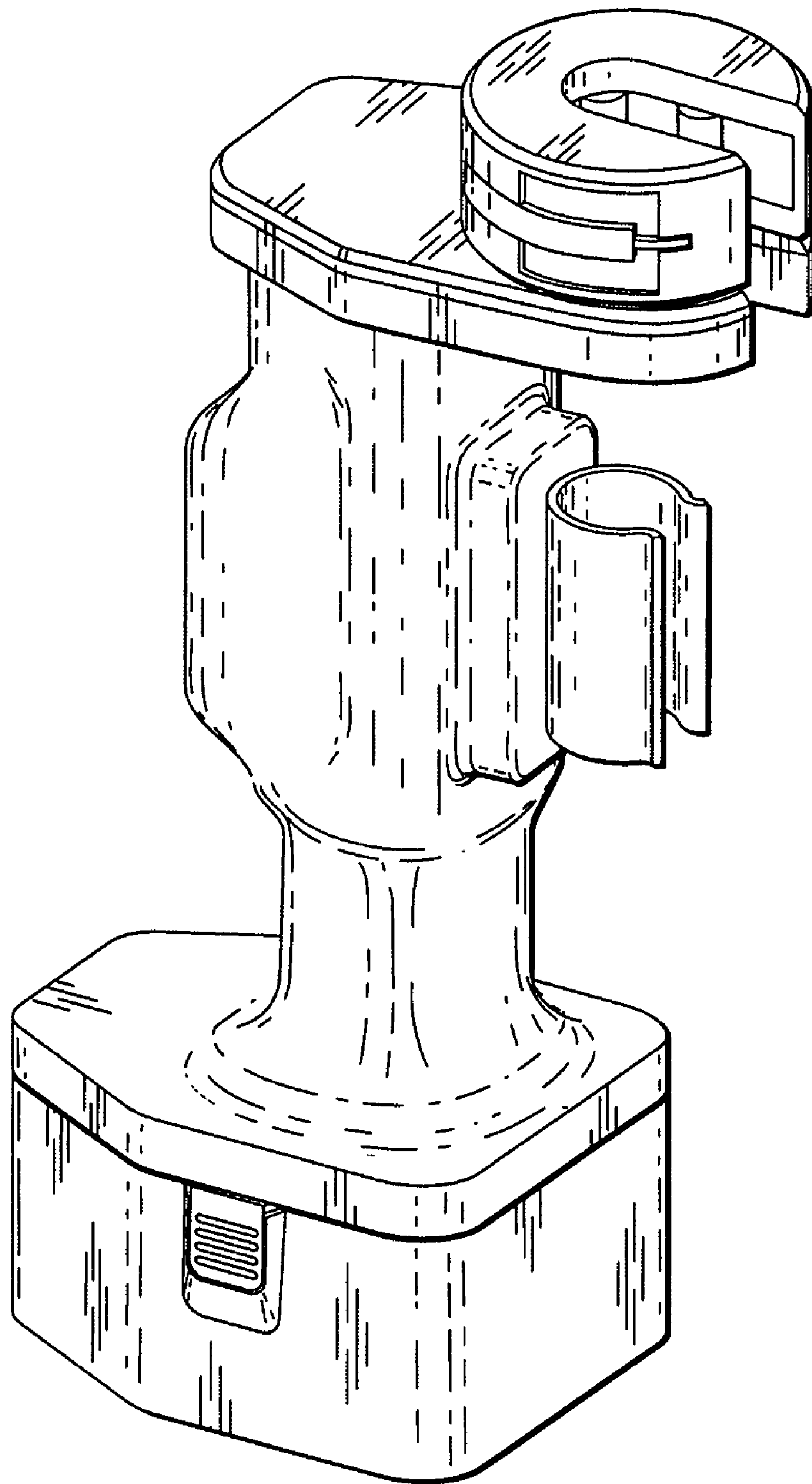


FIG. 1

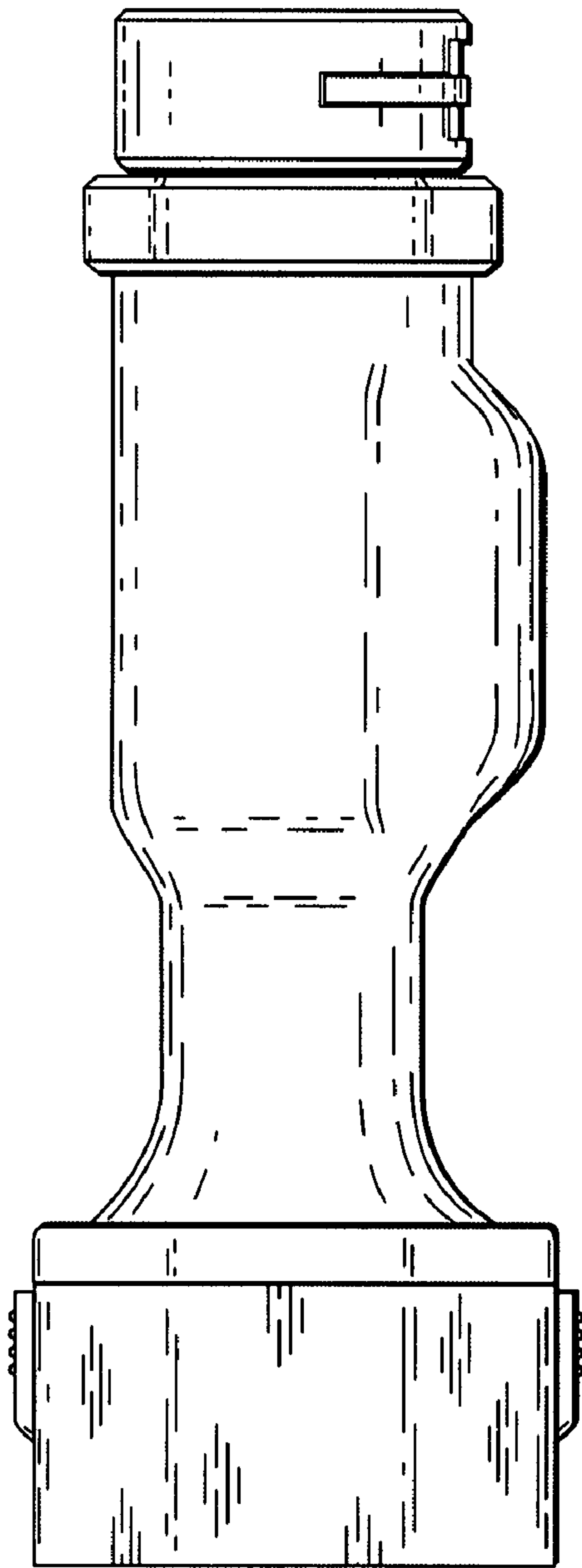


Fig.2

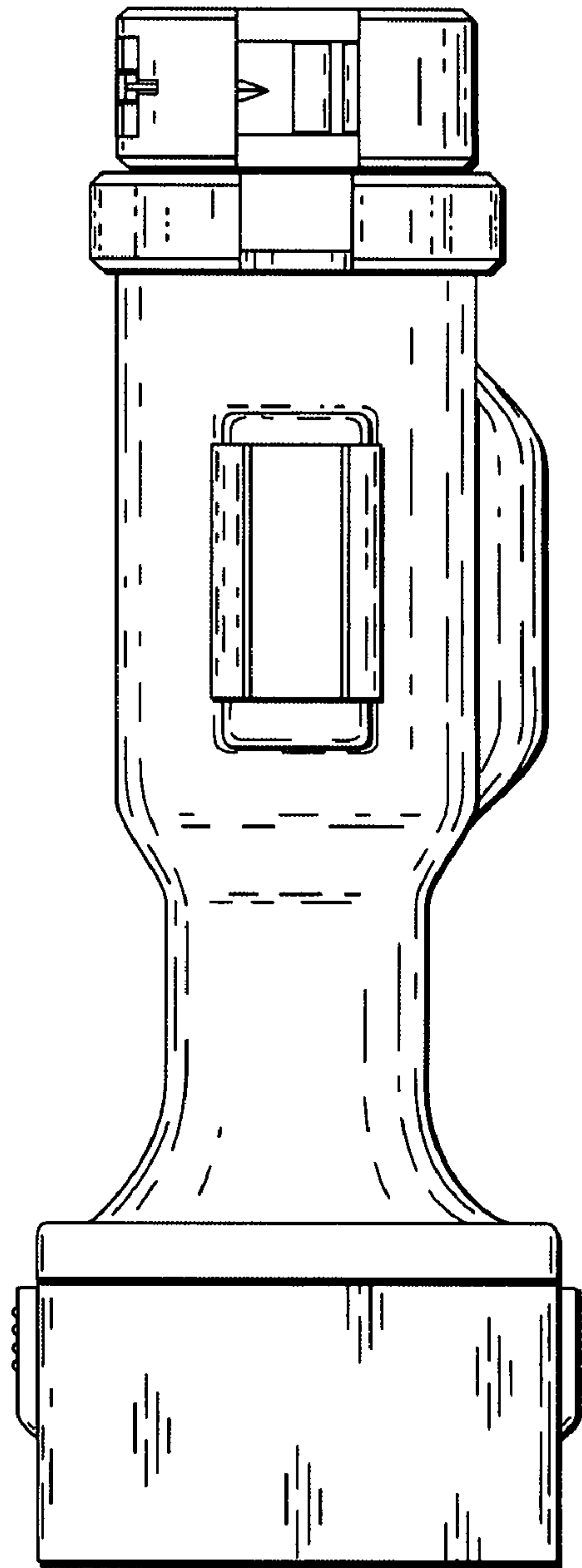


Fig.3

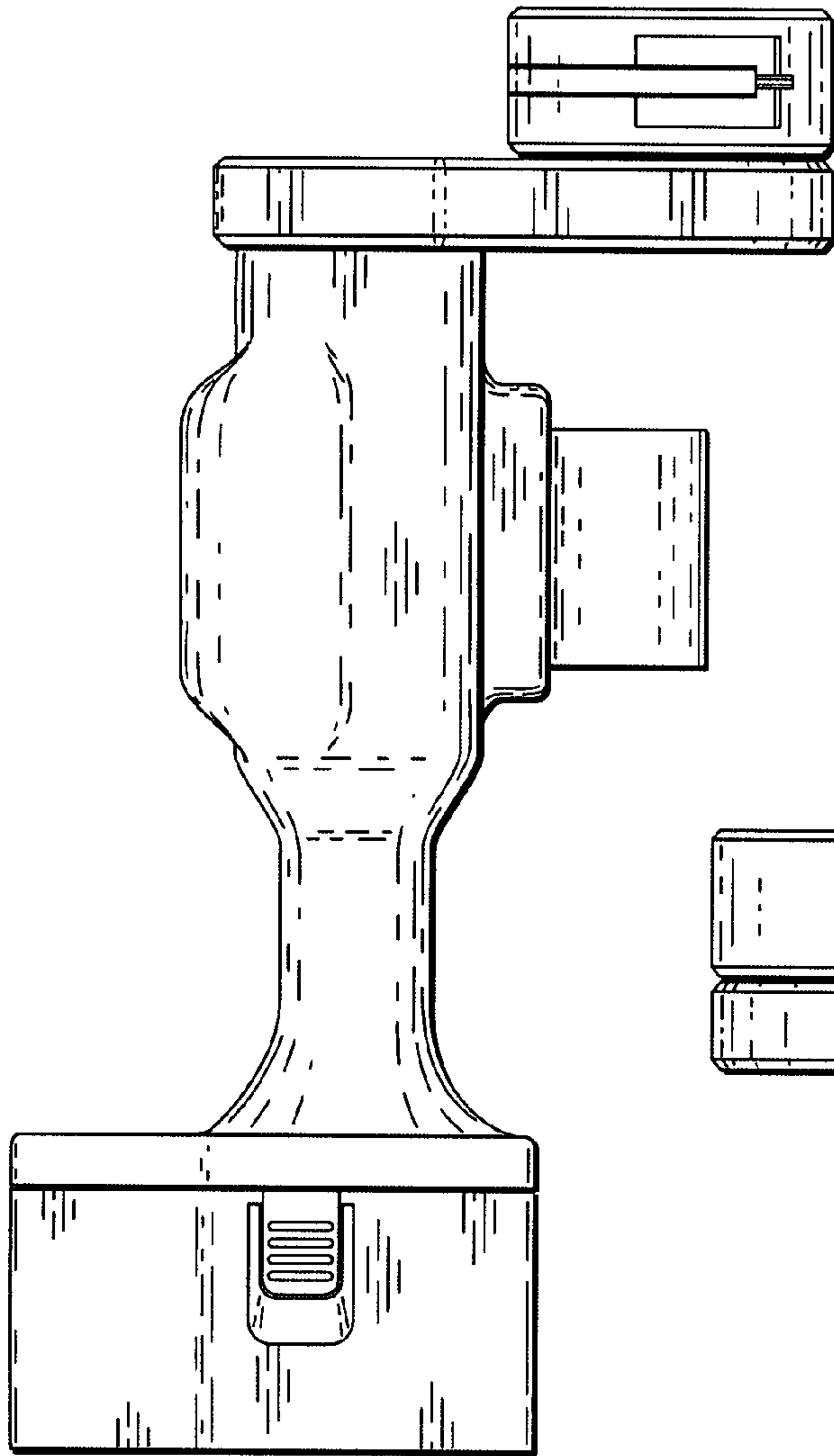


Fig.4

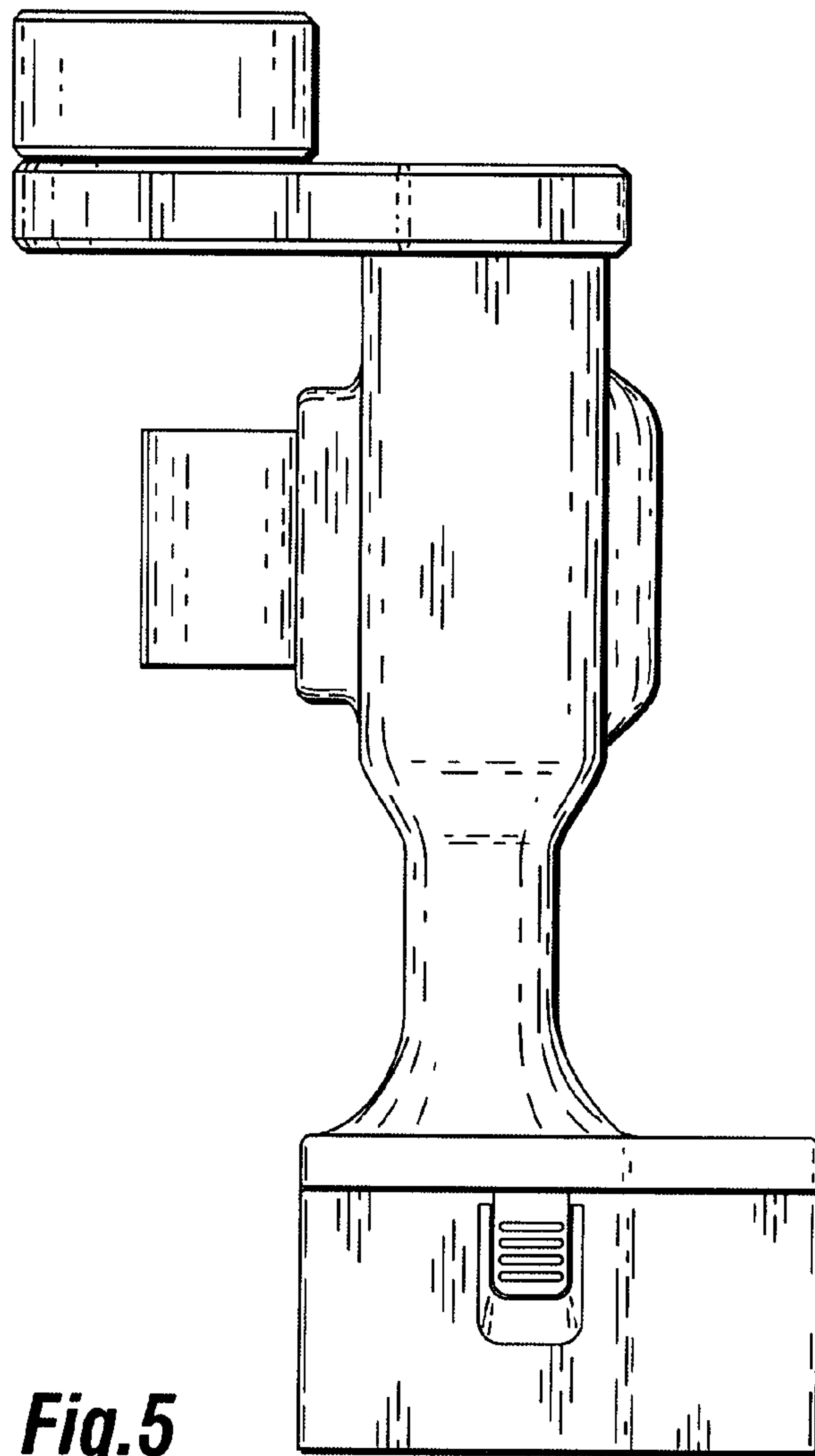


Fig.5

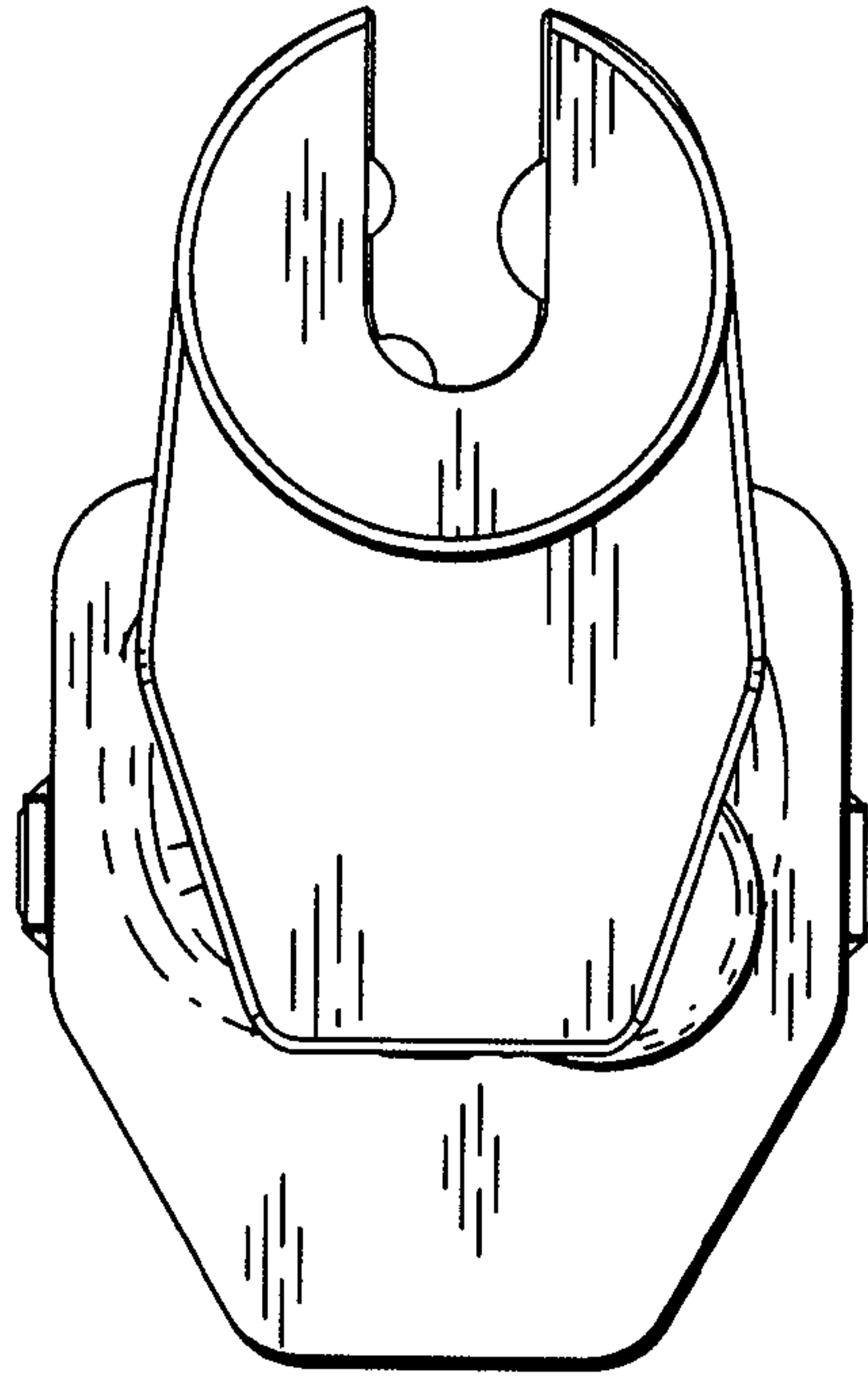


Fig.6

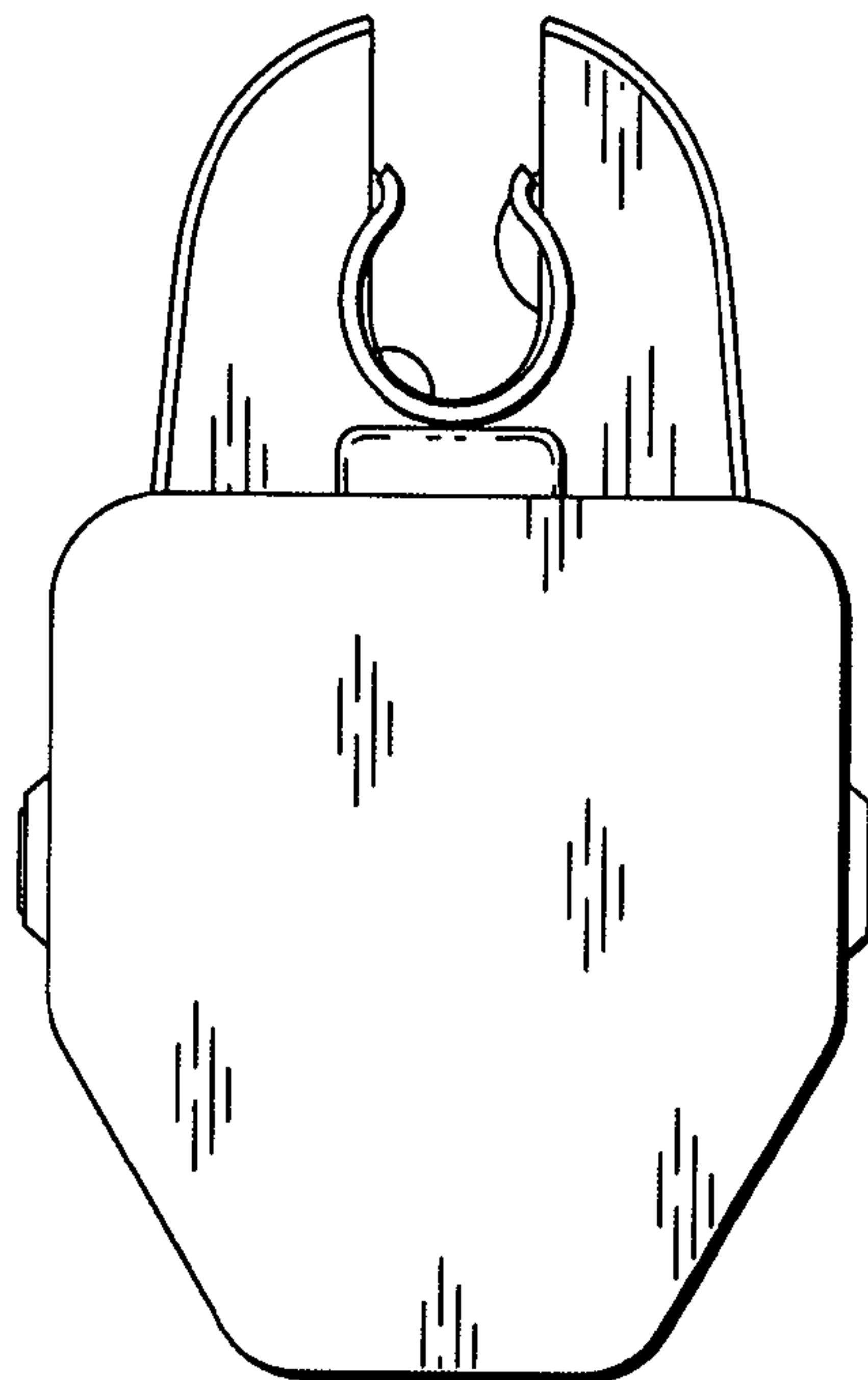


Fig.7