



US00D568698S

(12) **United States Design Patent**  
**Büscher**

(10) **Patent No.:** **US D568,698 S**

(45) **Date of Patent:** **\*\* May 13, 2008**

(54) **COMPOST SHOVEL**

(75) Inventor: **Markus Büscher**, Weinstadt (DE)

(73) Assignee: **Freund Victoria Gartengerate GmbH**,  
Schorndorf (DE)

(\*\*) Term: **14 Years**

(21) Appl. No.: **29/275,997**

(22) Filed: **Jan. 11, 2007**

(30) **Foreign Application Priority Data**

Aug. 3, 2006 (EM) ..... 000570510-0002

(51) **LOC (8) Cl.** ..... **08-01**

(52) **U.S. Cl.** ..... **D8/13**

(58) **Field of Classification Search** ..... 56/400.1,  
56/400.17; 7/115; 294/49, 55.5; D8/13,  
D8/14

See application file for complete search history.

(56) **References Cited**

U.S. PATENT DOCUMENTS

175,528 A \* 3/1876 Trussell ..... 254/131.5  
234,633 A \* 11/1880 Way ..... 294/55.5  
D14,544 S \* 1/1884 Smith ..... D8/13  
951,329 A \* 3/1910 Oconnor ..... 294/55.5

998,407 A \* 7/1911 Schwandt ..... 7/115  
1,022,962 A \* 4/1912 Miller ..... 7/115  
1,861,526 A \* 6/1932 Gordon ..... 7/115  
D161,131 S \* 12/1950 Scott ..... D8/13  
D398,203 S \* 9/1998 Naccarato et al. .... D8/13  
D434,288 S \* 11/2000 Todd ..... D8/13

\* cited by examiner

*Primary Examiner*—Holly H. Baynham

*Assistant Examiner*—Sheryl Friedman

(74) *Attorney, Agent, or Firm*—Oppedahl Patent Law Firm  
LLC

(57) **CLAIM**

I claim the ornamental design for a compost shovel, as  
shown and described.

**DESCRIPTION**

FIG. 1 is a perspective view;

FIG. 2 is a rear view;

FIG. 3 is a left side view;

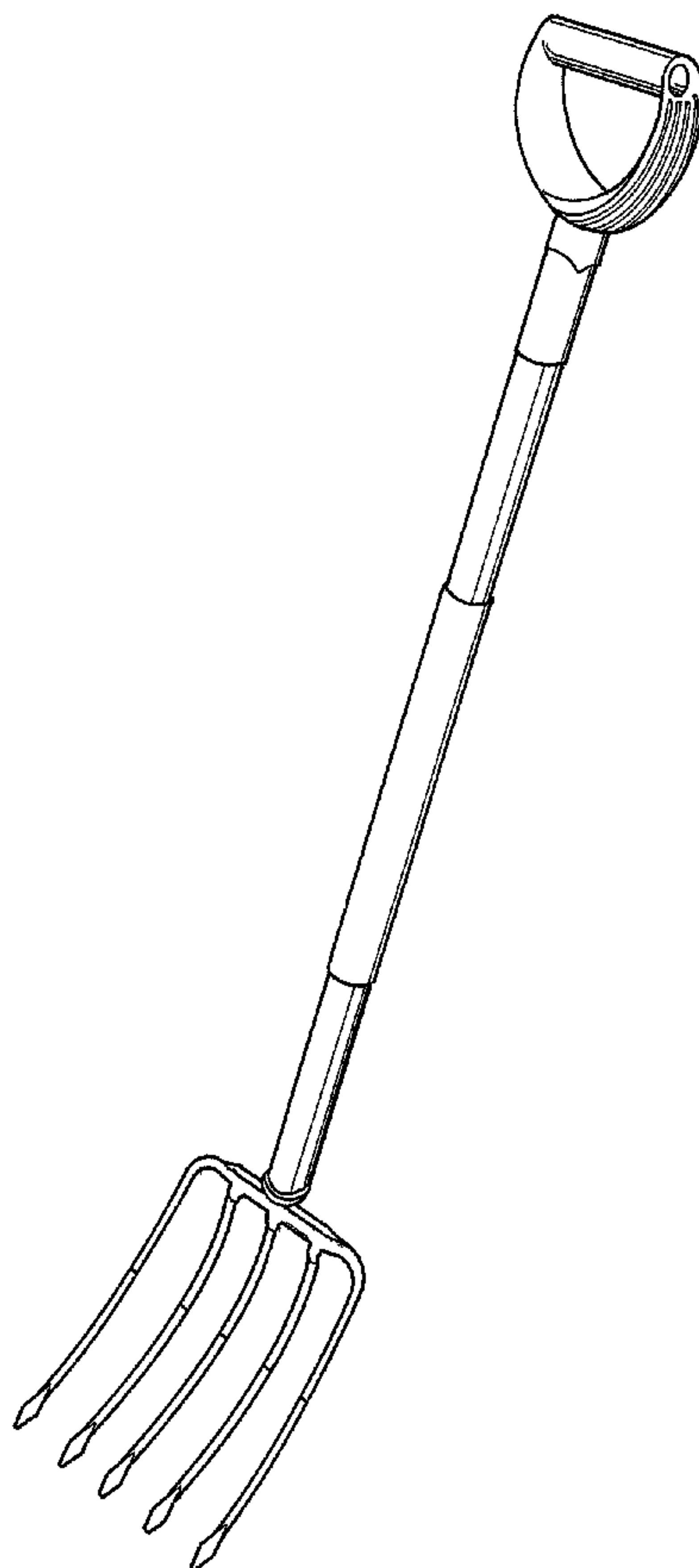
FIG. 4 is a top view;

FIG. 5 is a front view;

FIG. 6 is a right side view; and,

FIG. 7 is a bottom view.

**1 Claim, 3 Drawing Sheets**



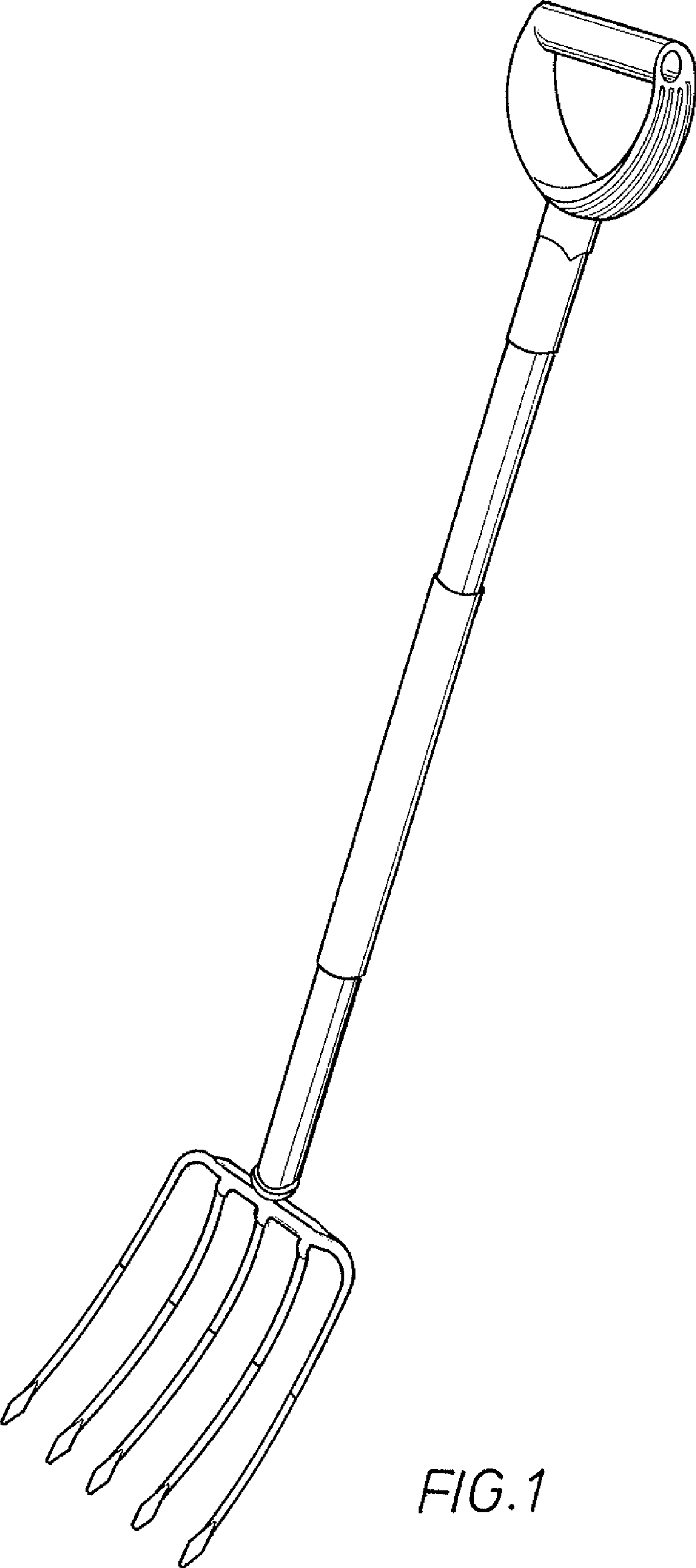


FIG. 1

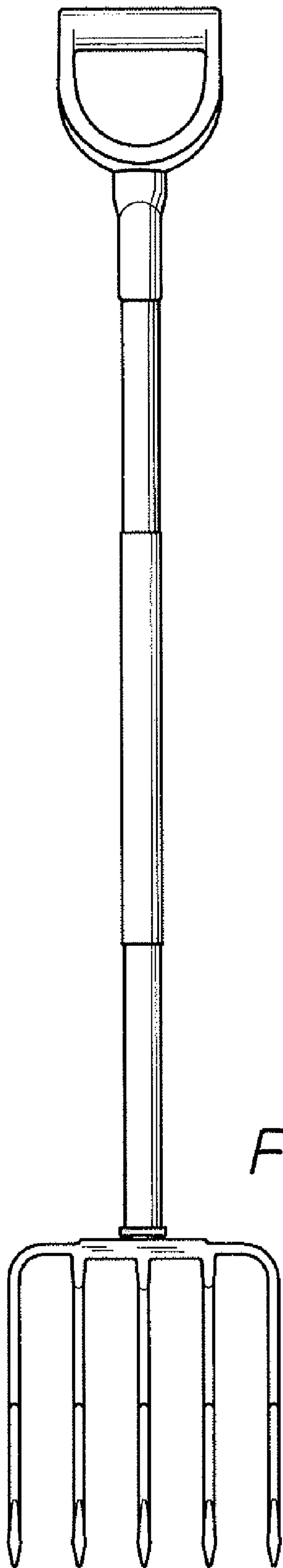


FIG. 2

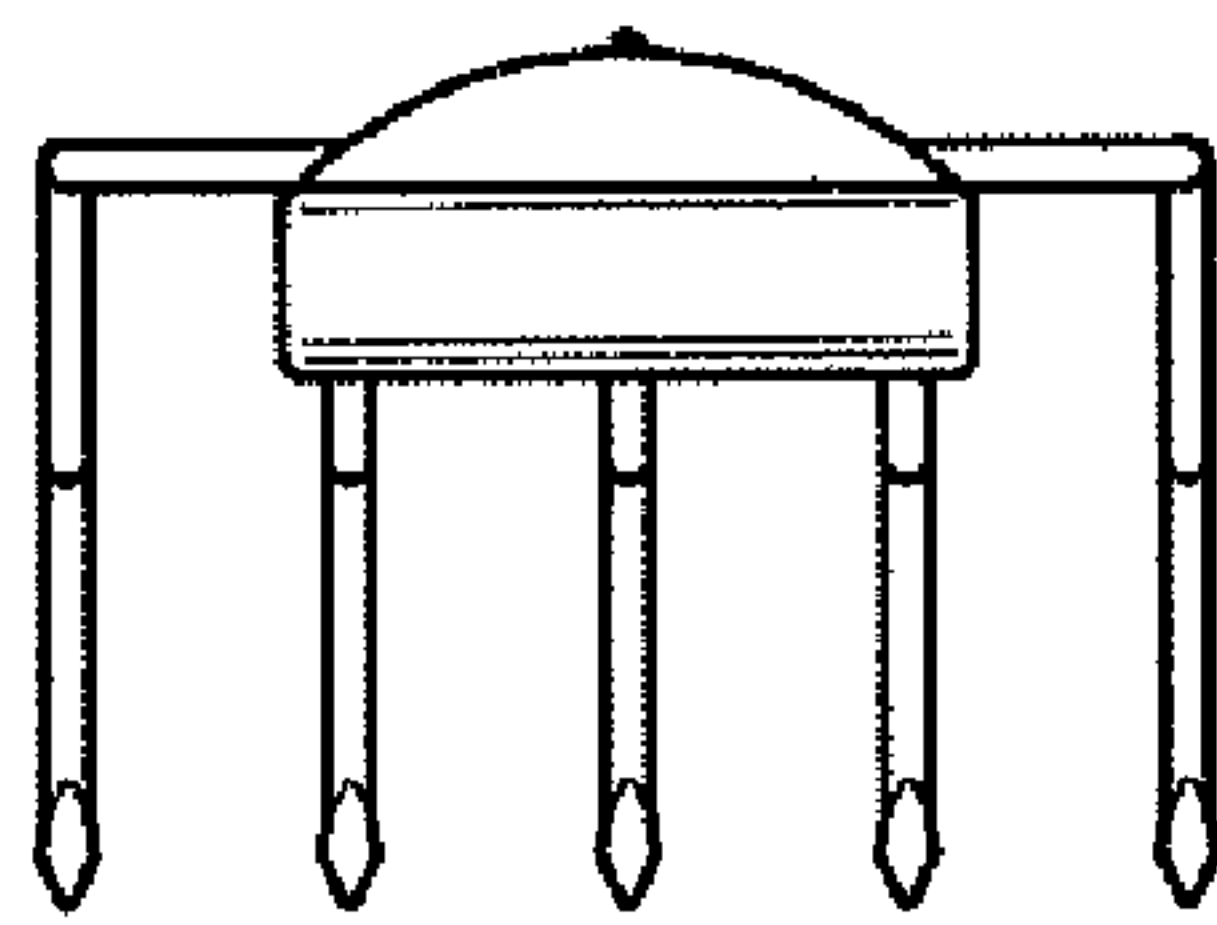


FIG. 4

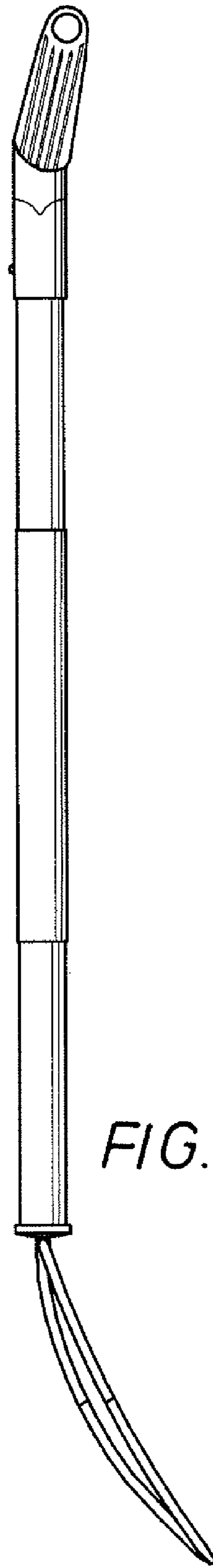


FIG. 3

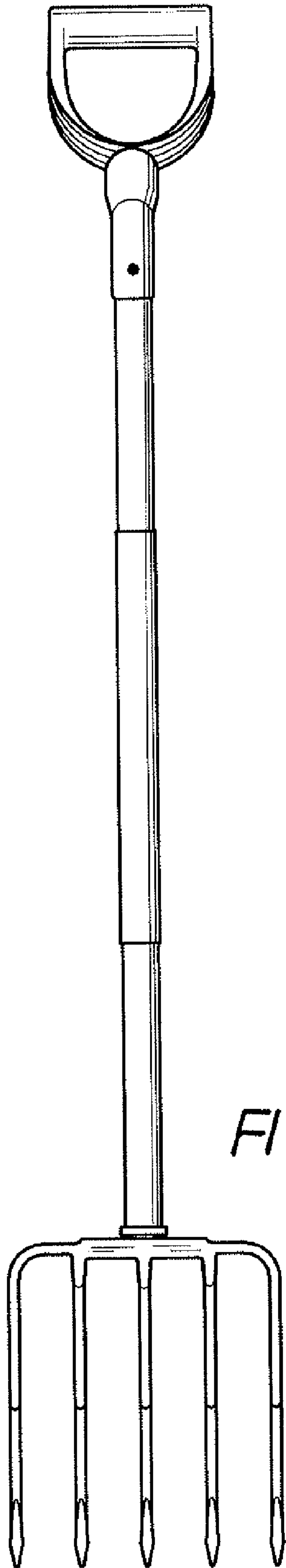


FIG. 5

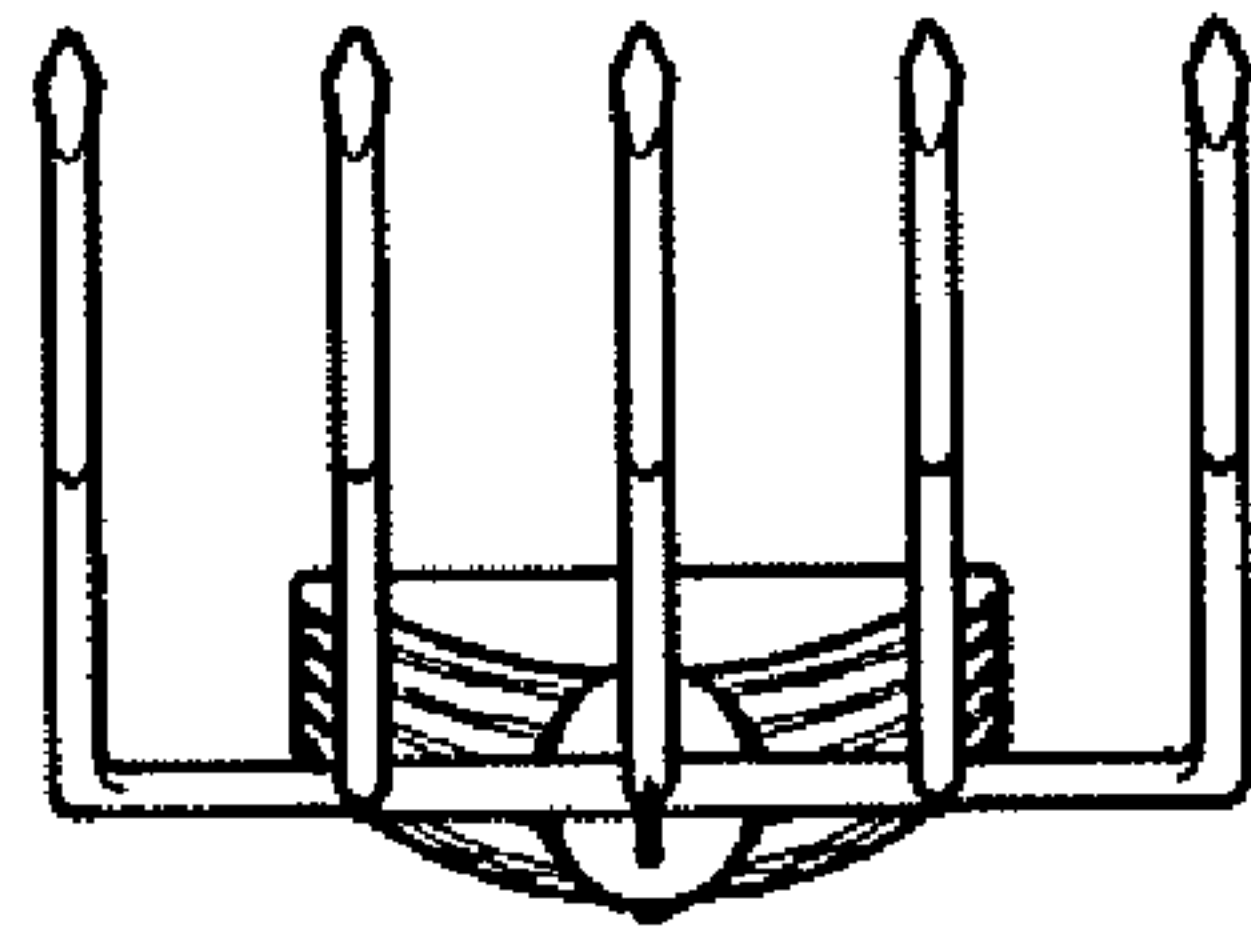


FIG. 7

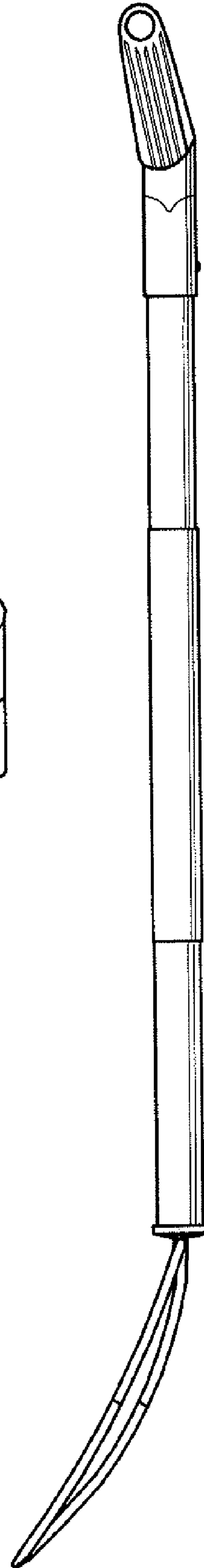


FIG. 6