



US00D568697S

(12) **United States Design Patent**
Allen

(10) **Patent No.:** **US D568,697 S**

(45) **Date of Patent:** **** May 13, 2008**

(54) **WINE RACK**

5,657,883 A * 8/1997 Badia 211/70.8

(76) Inventor: **Thomas T. Allen**, 1186 Balsam St.,
Shrub Oak, NY (US) 10588

* cited by examiner

Primary Examiner—Terry A Wallace

(74) *Attorney, Agent, or Firm*—Donald J. Ersler

(**) Term: **14 Years**

(21) Appl. No.: **29/280,837**

(57) **CLAIM**

(22) Filed: **Jun. 8, 2007**

The ornamental design for a wine rack, as shown and described.

(51) **LOC (8) Cl.** **06-04**

(52) **U.S. Cl.** **D7/708**

(58) **Field of Classification Search** D7/701–708,
D7/600.1–600.4; D6/468, 469, 467, 570,
D6/552; 211/74, 70.6, 70.7, 70.8, 71.01;
248/311.3, 309.1

See application file for complete search history.

DESCRIPTION

FIG. 1 is a perspective view of a wine rack incorporating my new design;

FIG. 2 is a perspective view rotated 180° thereof;

FIG. 3 is a front elevation view thereof;

FIG. 4 is a rear elevation view thereof;

FIG. 5 is a left side view thereof;

FIG. 6 is a right side view thereof;

FIG. 7 is a top plan view thereof; and,

FIG. 8 is a bottom plan view thereof.

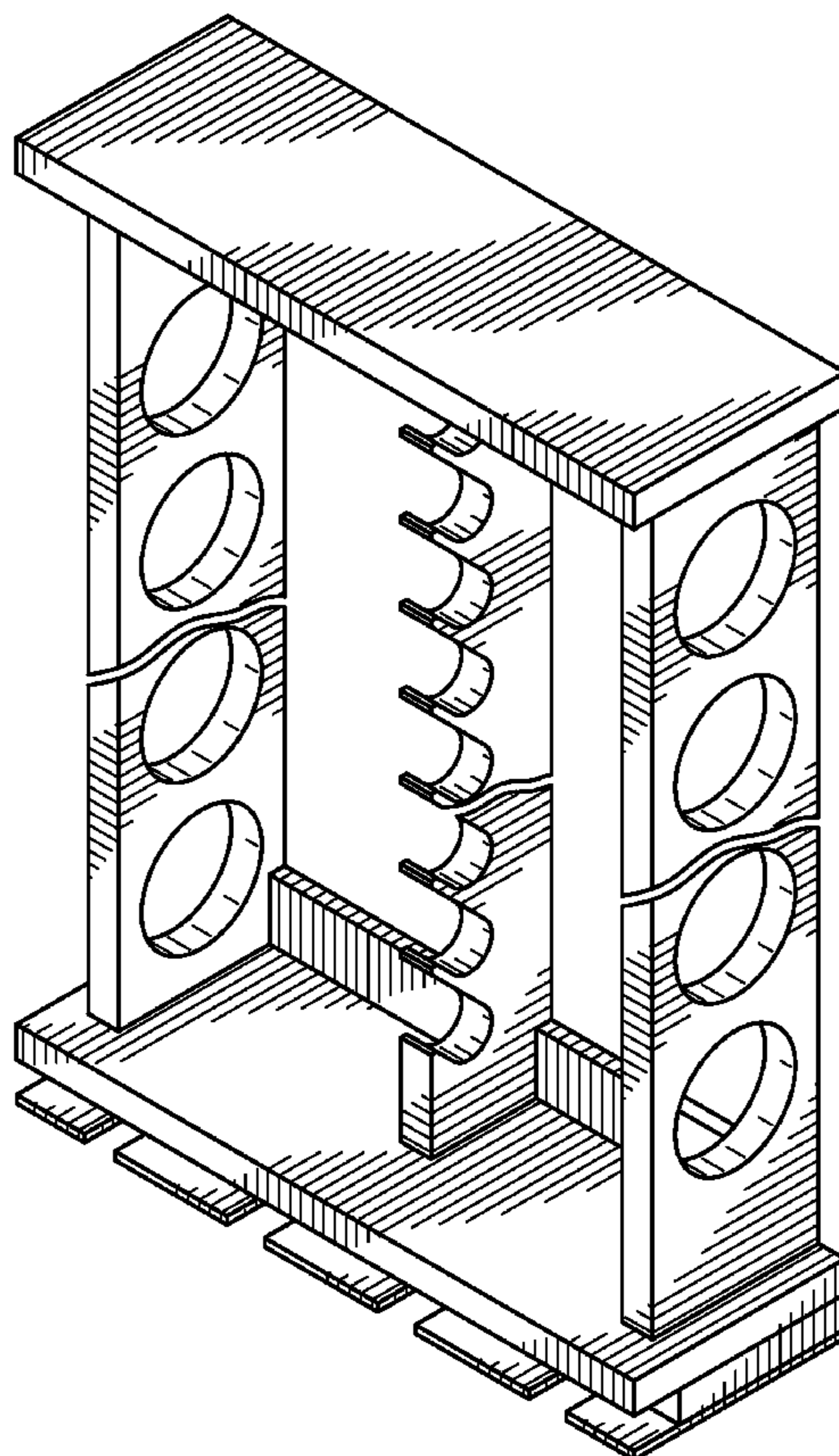
The broken lines are for illustrative purposes only and form no part of the claimed design. The drawings are shown to be of indeterminate length.

(56) **References Cited**

U.S. PATENT DOCUMENTS

D146,592 S *	4/1947	Blume	D7/701
3,606,023 A *	9/1971	Edmunds	211/74
D247,660 S *	4/1978	Tortorici	D7/701
D253,802 S *	1/1980	Loud et al.	D7/708
D273,647 S *	5/1984	Kandarian	D6/570
D319,361 S *	8/1991	Moser	D6/468
D324,301 S *	3/1992	Ackerfeldt	D6/552
D337,466 S *	7/1993	Moser	D6/570
D378,482 S *	3/1997	Hall et al.	D6/552

1 Claim, 6 Drawing Sheets



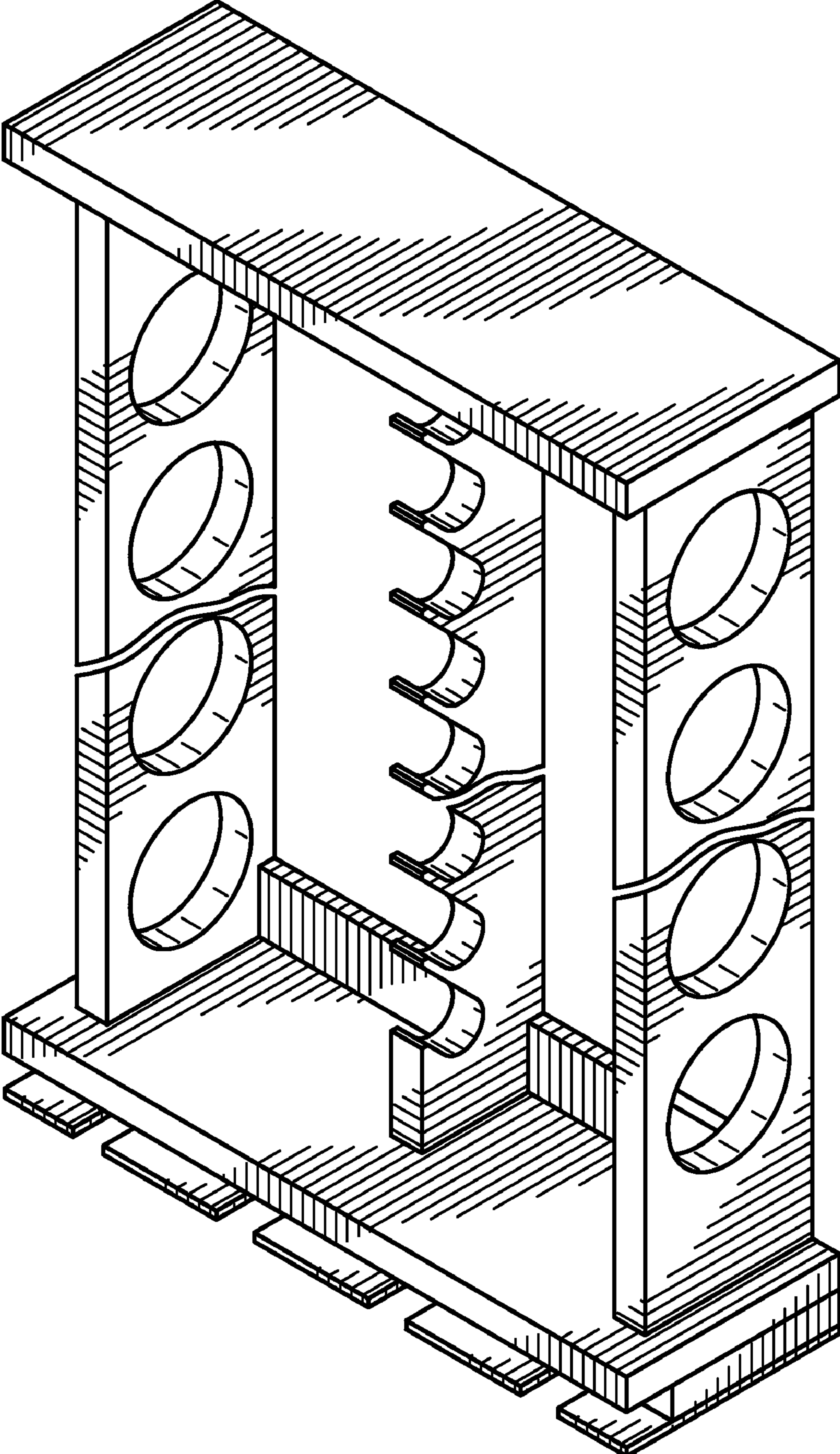


FIG. 1

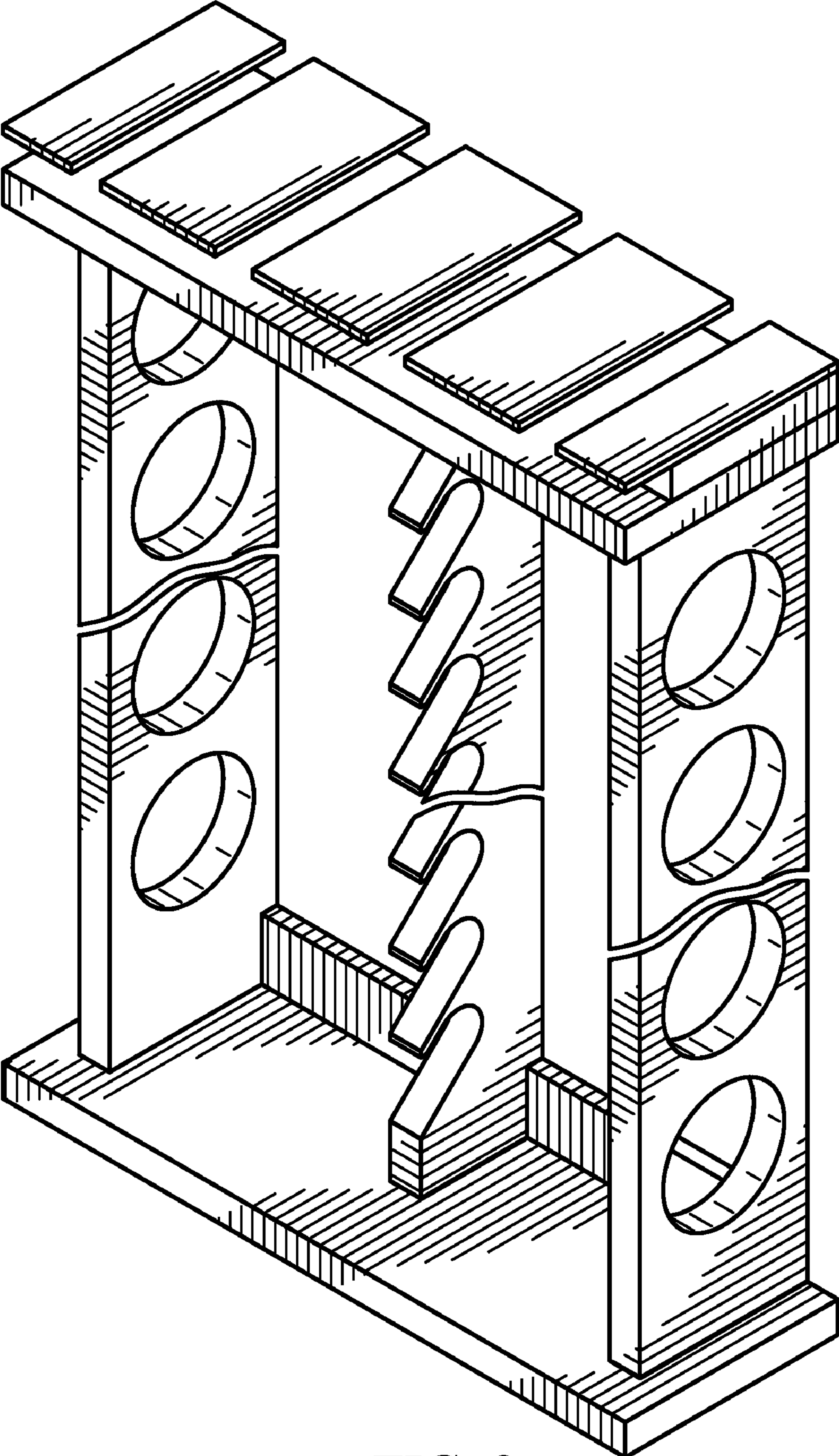
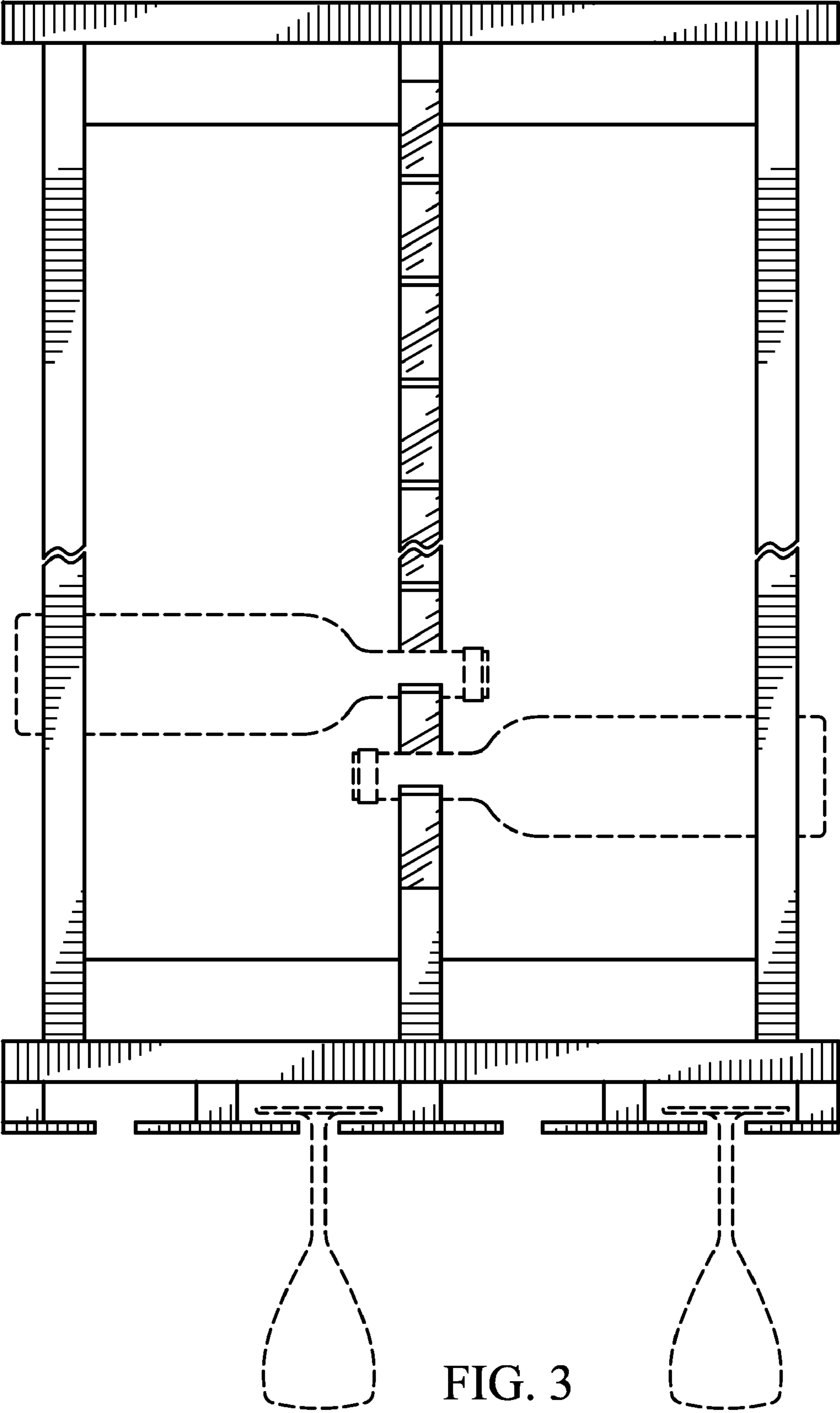


FIG. 2



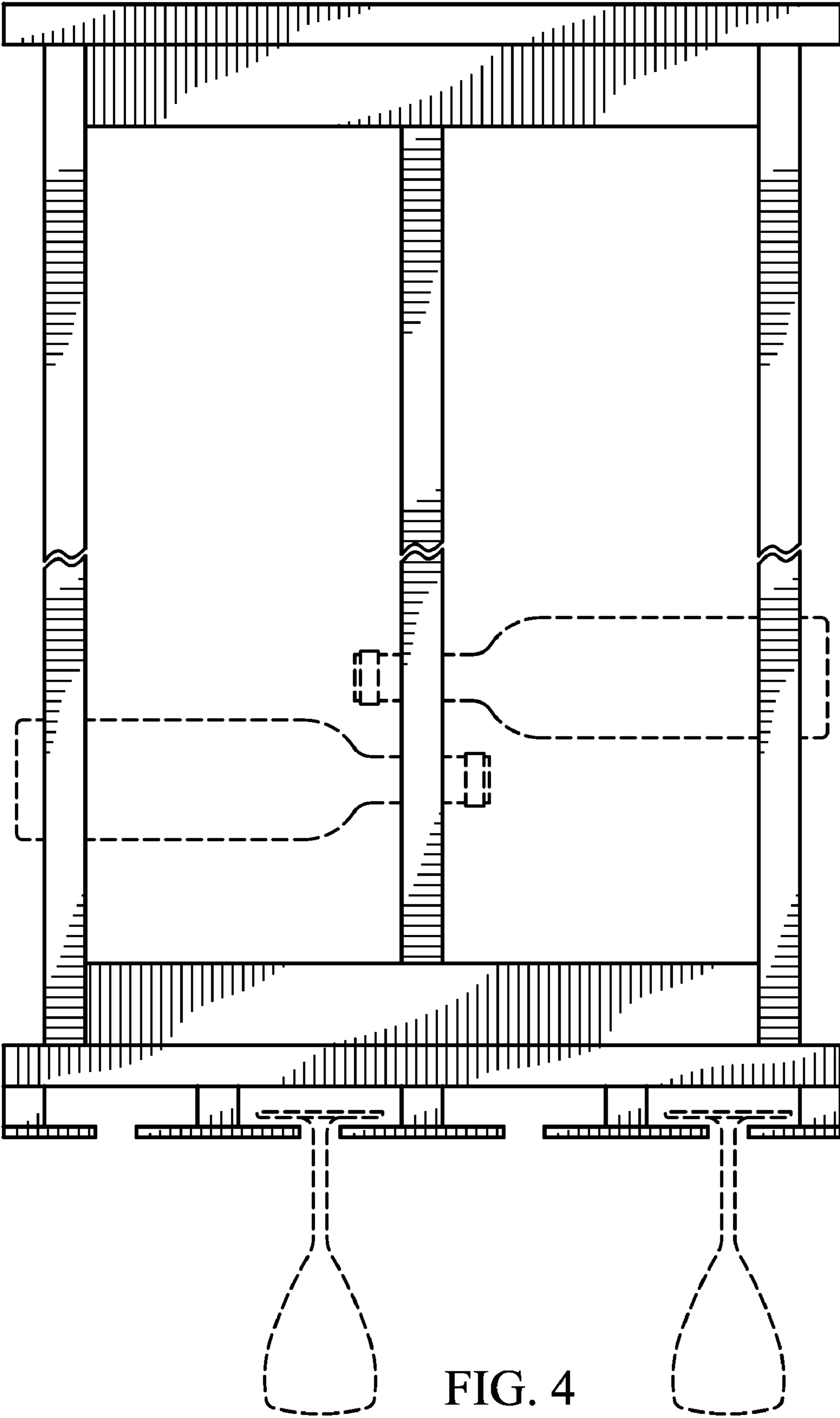


FIG. 4

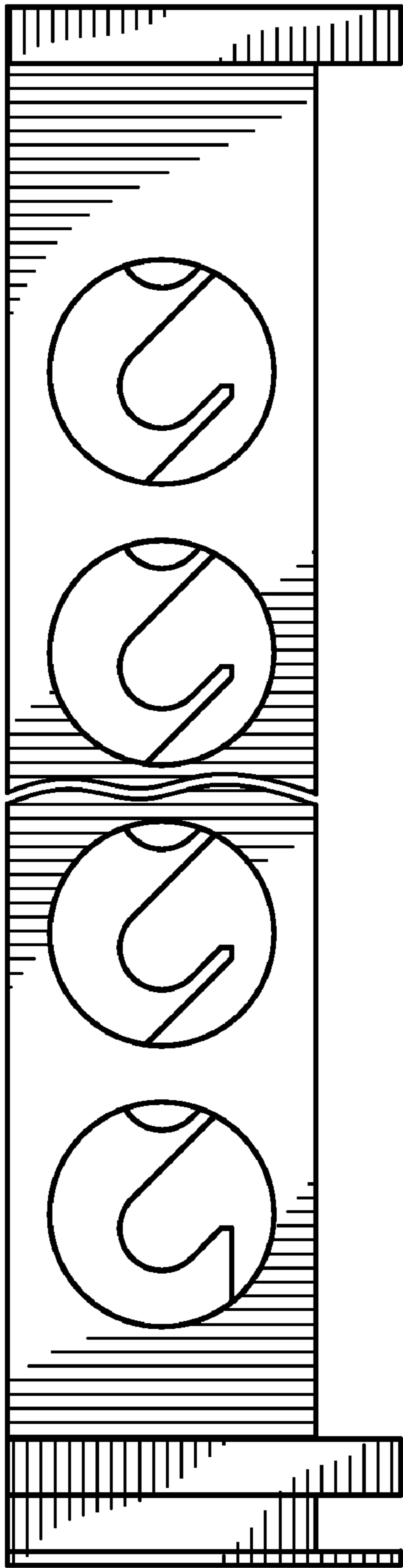


FIG. 5

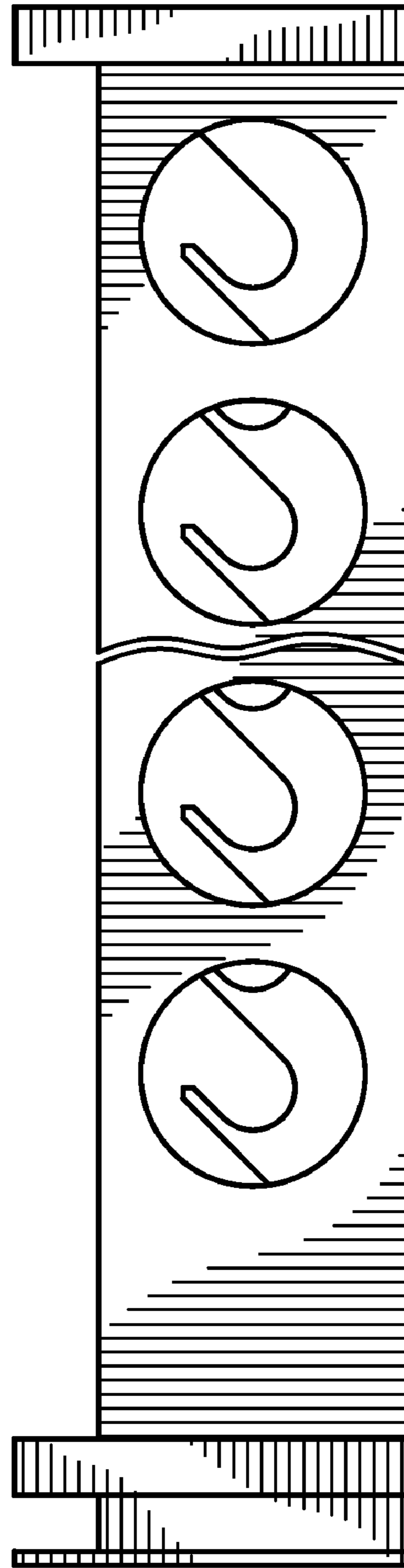


FIG. 6

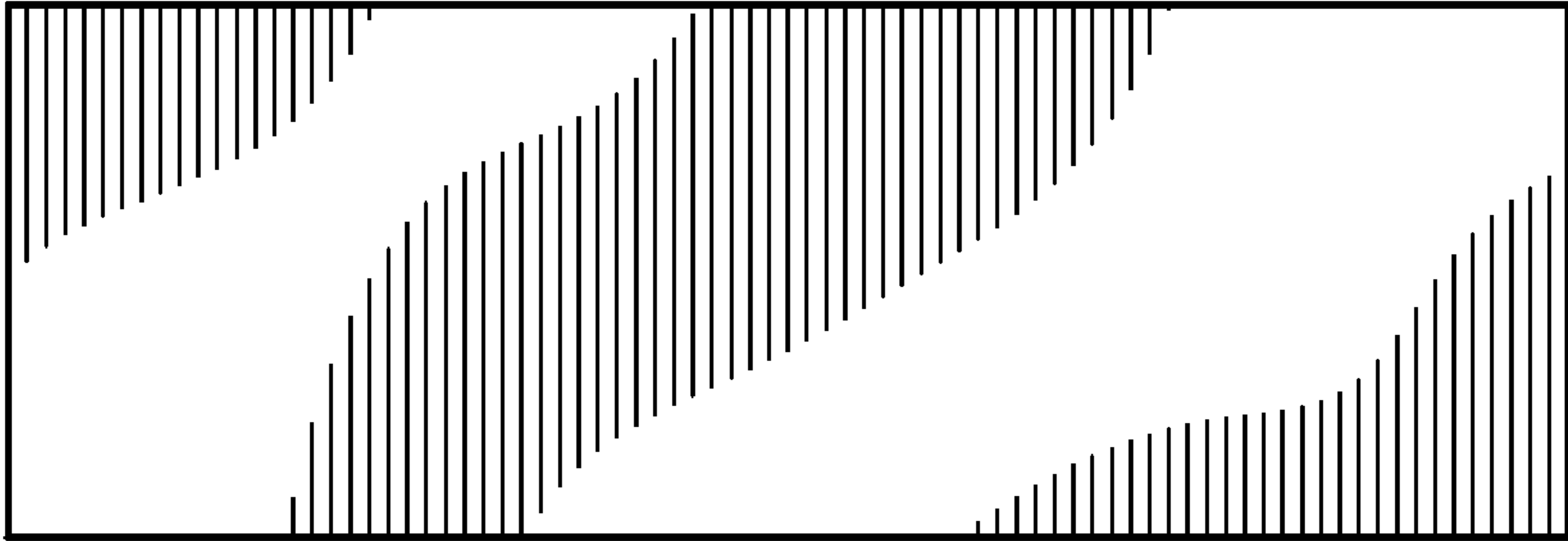


FIG. 7

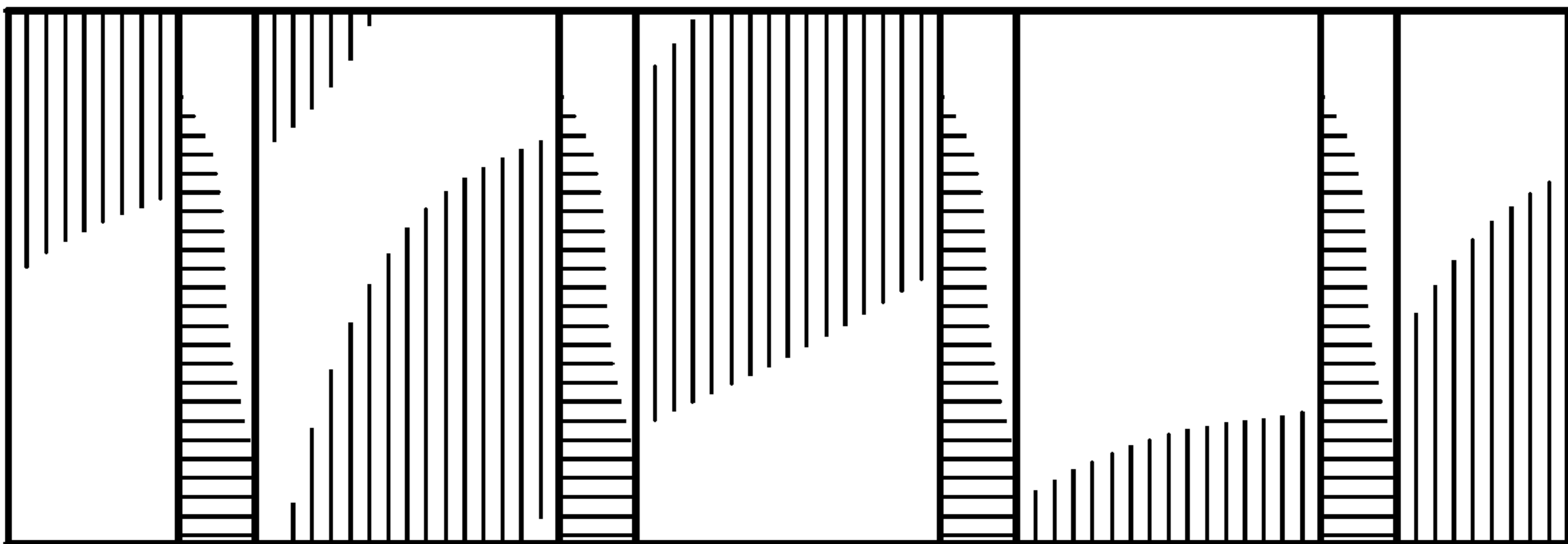


FIG. 8